

US00D920031S

(12) **United States Design Patent**
Wei

(10) **Patent No.:** **US D920,031 S**

(45) **Date of Patent:** **** May 25, 2021**

(54) **HERB GRINDER**

(71) Applicant: **Bin Wei**, Jieyang (CN)

(72) Inventor: **Bin Wei**, Jieyang (CN)

(**) Term: **15 Years**

(21) Appl. No.: **29/754,982**

(22) Filed: **Oct. 16, 2020**

(51) **LOC (13) Cl.** **31-00**

(52) **U.S. Cl.**
USPC **D7/372**

(58) **Field of Classification Search**
USPC D7/372, 376-386, 412-413, 602, 629,
D7/665-666, 669, 679, 693-694;
D27/195

CPC A21C 1/02; A21C 1/04; A23N 1/00; A23N
1/02; A24F 5/00; A47J 42/00; A47J
42/12; A47J 42/14; A47J 42/26; A47J
42/30; A47J 42/34; A47J 43/04; A47J
43/25; A47J 43/27; A47J 43/042; A47J
43/044; A47J 43/046; A47J 43/075; A47J
43/0722; A47J 43/0727; B01F 3/00; B01F
3/0807; B01F 3/0853; B01F 13/0059;
B01F 13/0064; B02C 1/08; B02C 2/04;
B02C 4/42; B02C 4/142; B02C 4/143;
B02C 4/423; B02C 13/1835; B02C 18/24;
B28C 5/10; B28C 5/12; B28C 5/14;
B28C 5/16

See application file for complete search history.

(56) **References Cited**

U.S. PATENT DOCUMENTS

7,422,170 B2 * 9/2008 Bao B02C 18/24
241/168
8,393,563 B2 * 3/2013 Chaoui B02C 18/24
241/168
D714,595 S 10/2014 Ducey
9,198,541 B2 * 12/2015 Smith A47J 43/25
D804,093 S * 11/2017 Chen D27/195

10,015,985 B1 * 7/2018 Blakely, III A24F 5/00
10,617,258 B2 * 4/2020 Moneta A47J 42/14
2013/0214068 A1 * 8/2013 Camitta B02C 18/24
241/25
2015/0298136 A1 * 10/2015 Dukat A47J 42/12
241/24.1
2016/0100715 A1 * 4/2016 Staiano A47J 42/00
241/79
2016/0106262 A1 * 4/2016 Mroue A47J 42/30
241/79
2016/0270597 A1 * 9/2016 Walczak A47J 42/26
2018/0206675 A1 * 7/2018 Mennillo A47J 42/14
2019/0269278 A1 * 9/2019 Neury A47J 42/34

OTHER PUBLICATIONS

Memaw'S Herb Grinder Spice Grinder. Date First Available on Amazon.com Jul. 2, 2020 <https://www.amazon.com/MemawS-Grinder-Wooden-Capacity-Catcher/dp/B08C75BMKP/ref> (Year: 2020).*

* cited by examiner

Primary Examiner — Ricky Pham

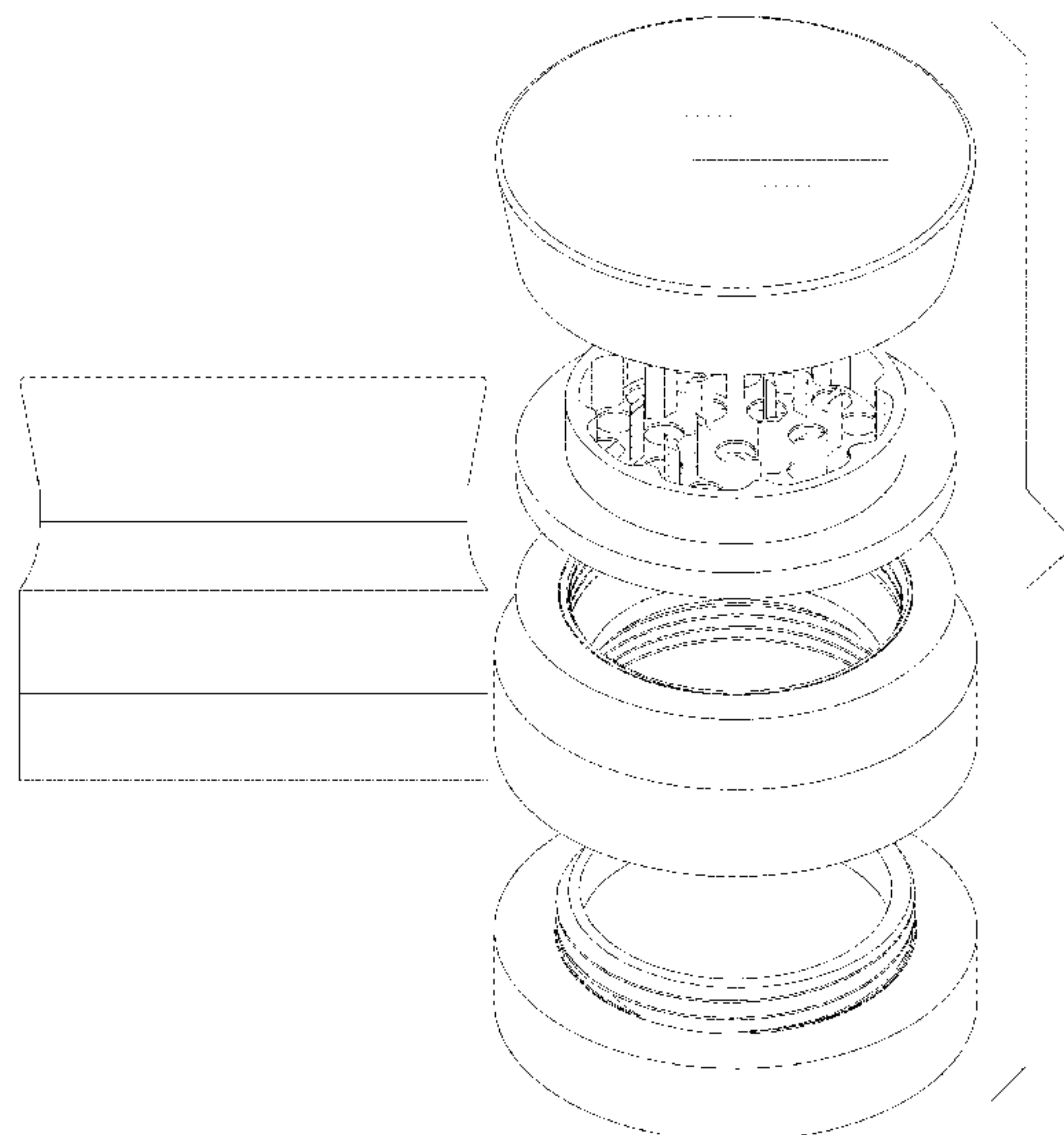
(57) **CLAIM**

The ornamental design for a herb grinder, as shown and described.

DESCRIPTION

FIG. 1 is a front elevational view of the herb grinder showing my new design;
FIG. 2 is a rear elevational view thereof;
FIG. 3 is a left side elevational view thereof;
FIG. 4 is a right side elevational view thereof;
FIG. 5 is a top plan view thereof;
FIG. 6 is a bottom plan view thereof;
FIG. 7 is a front, top perspective view thereof;
FIG. 8 is a front exploded view thereof;
FIG. 9 is a front, top exploded view thereof; and,
FIG. 10 is a front, bottom exploded view thereof.

1 Claim, 10 Drawing Sheets



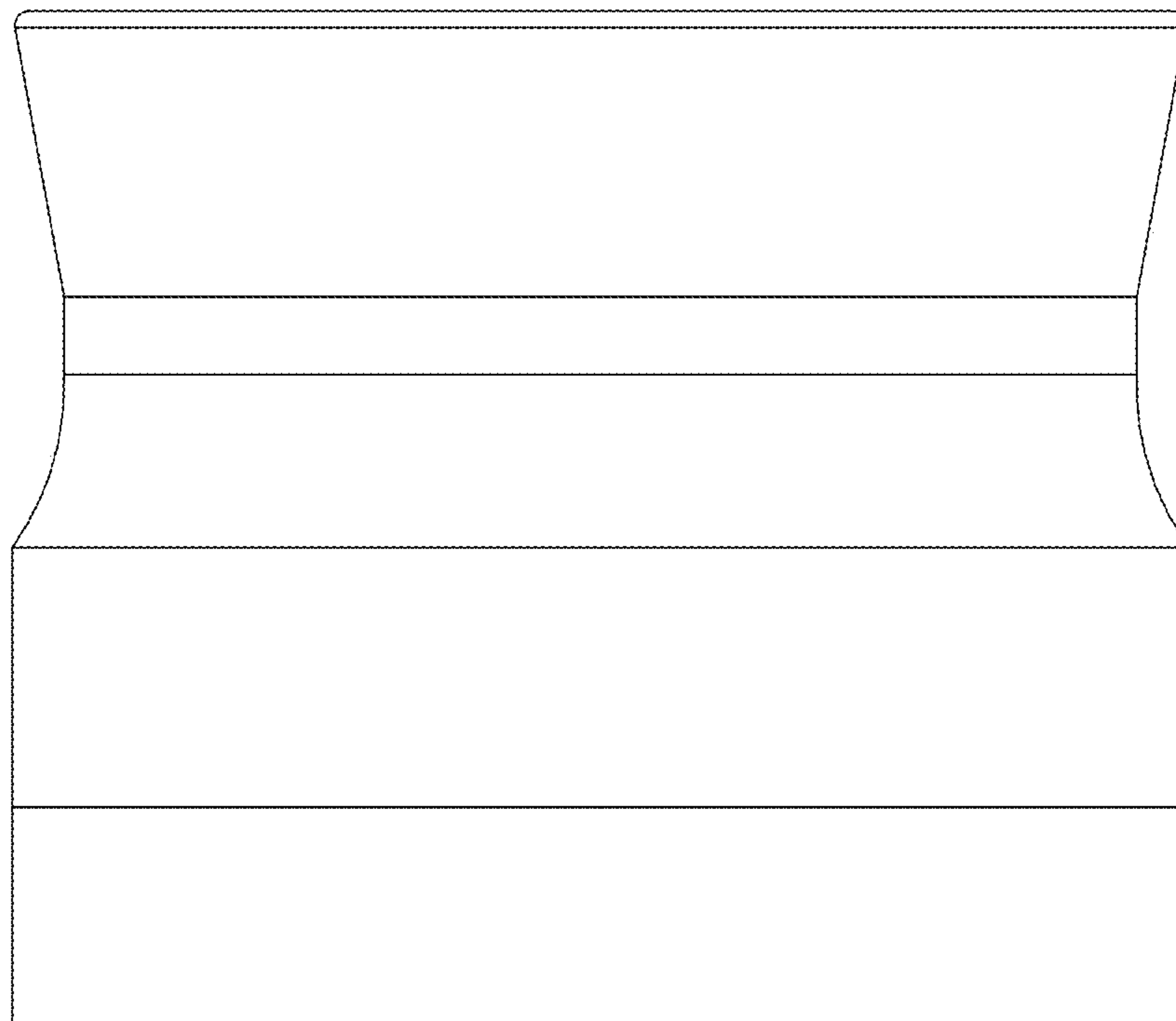


FIG. 1

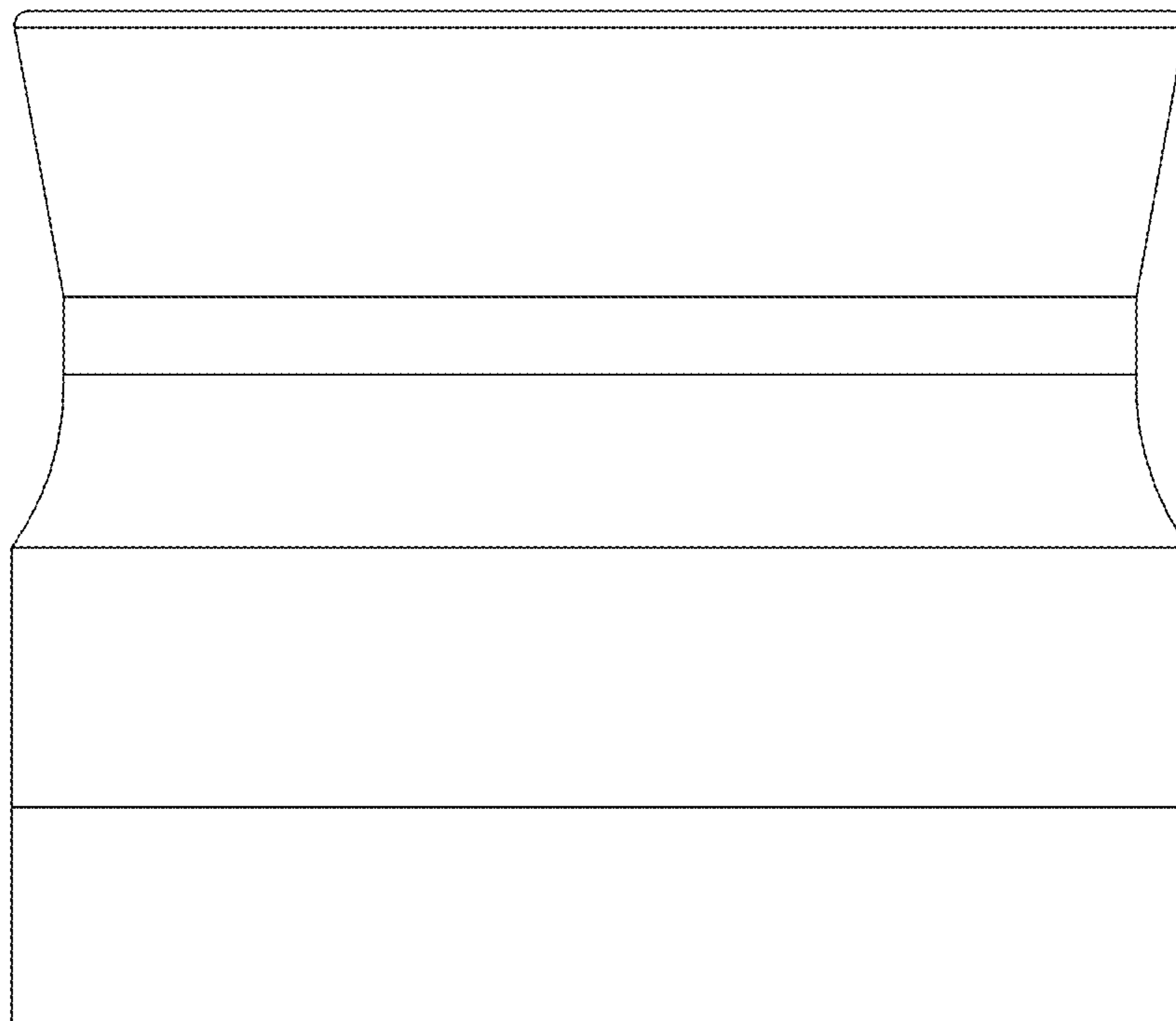


FIG. 2

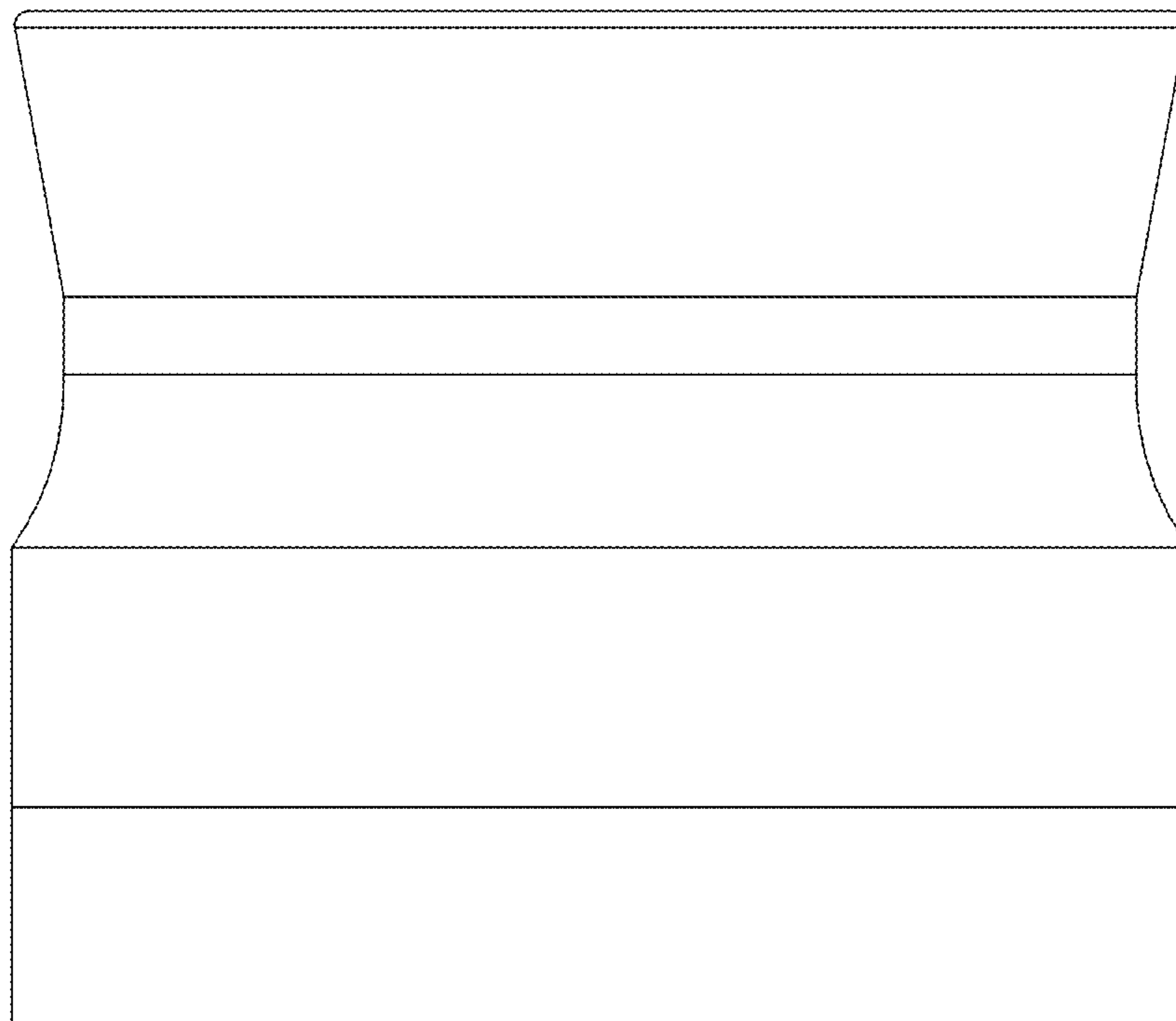


FIG. 3

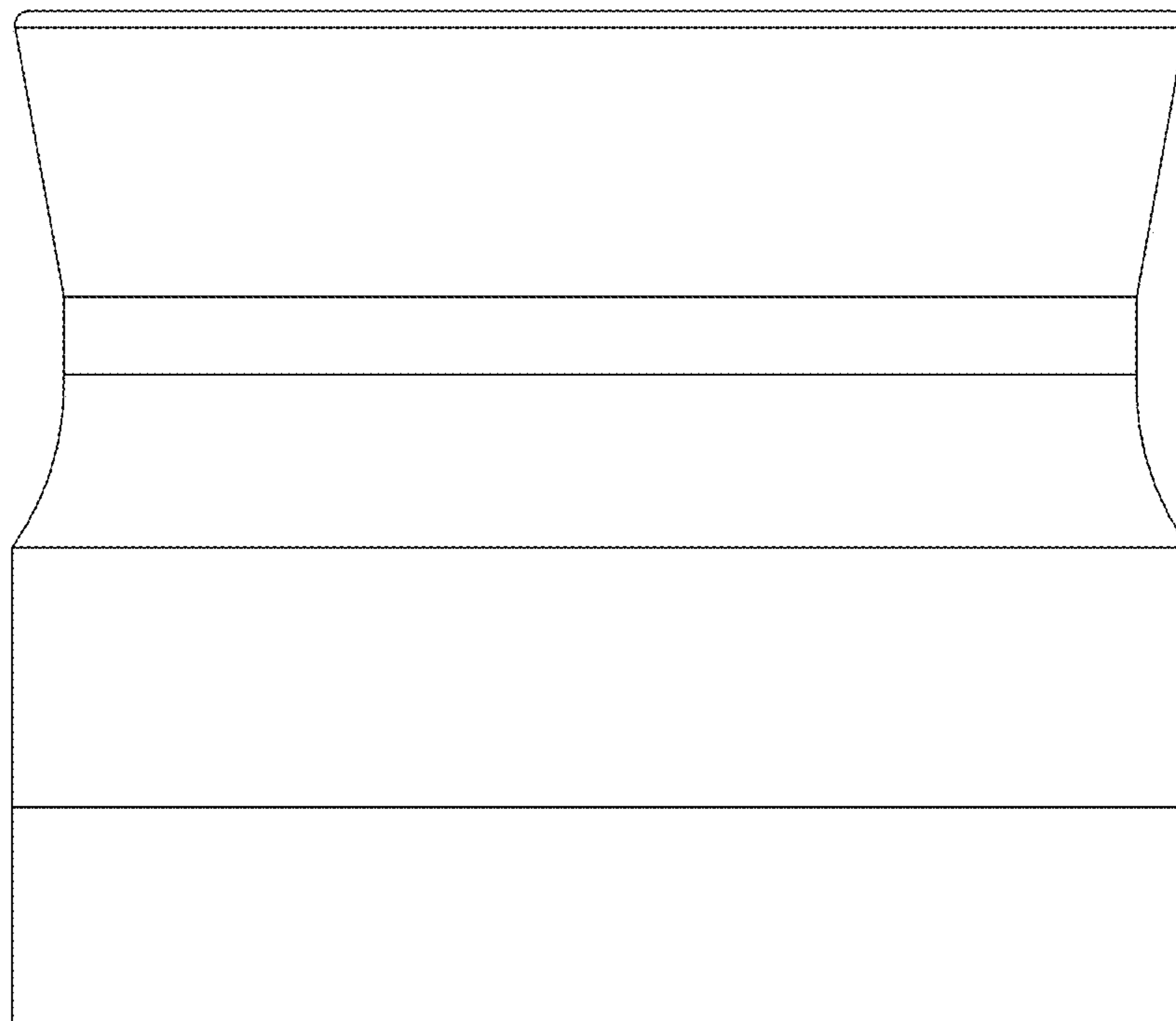


FIG. 4

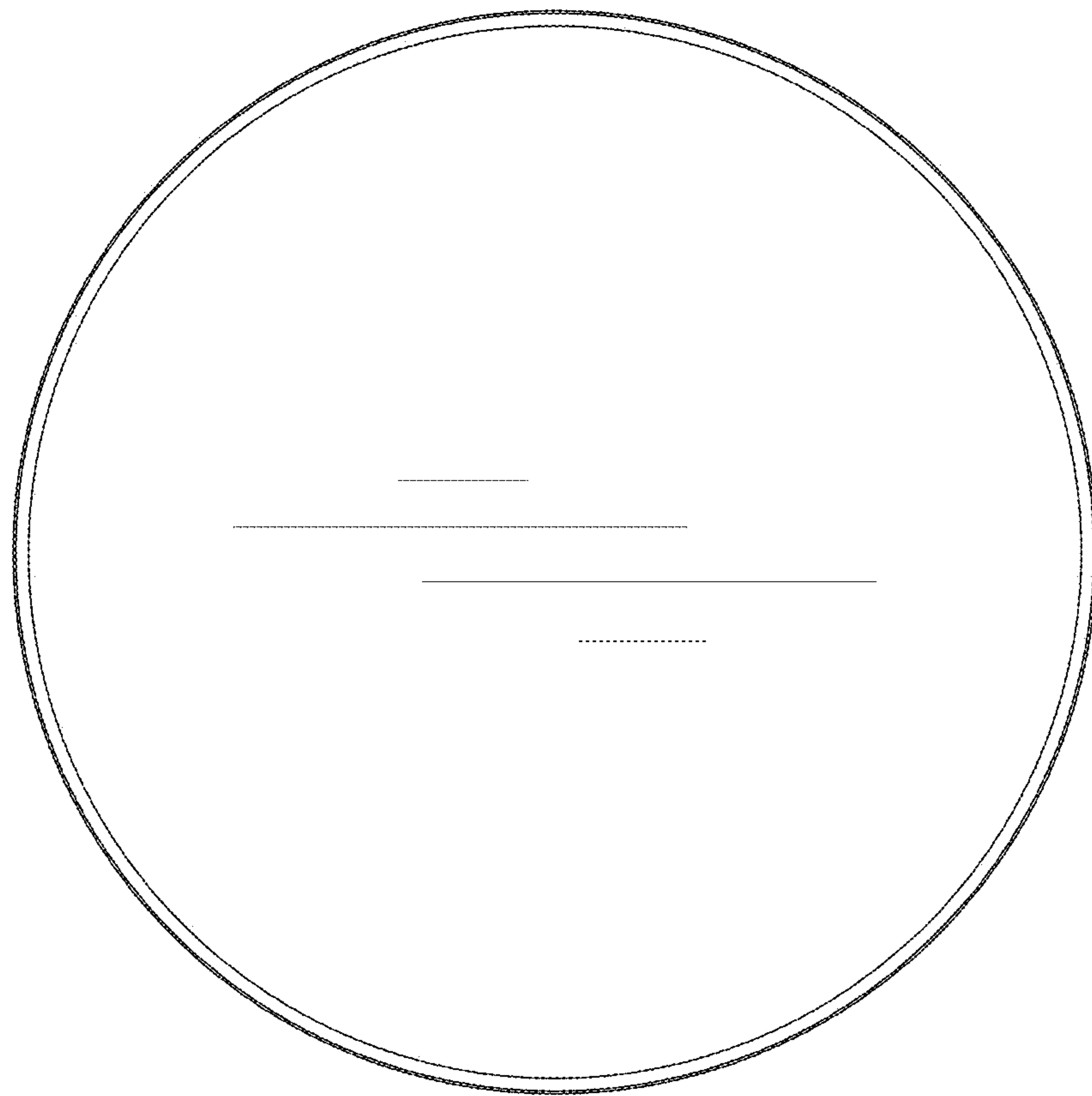


FIG. 5

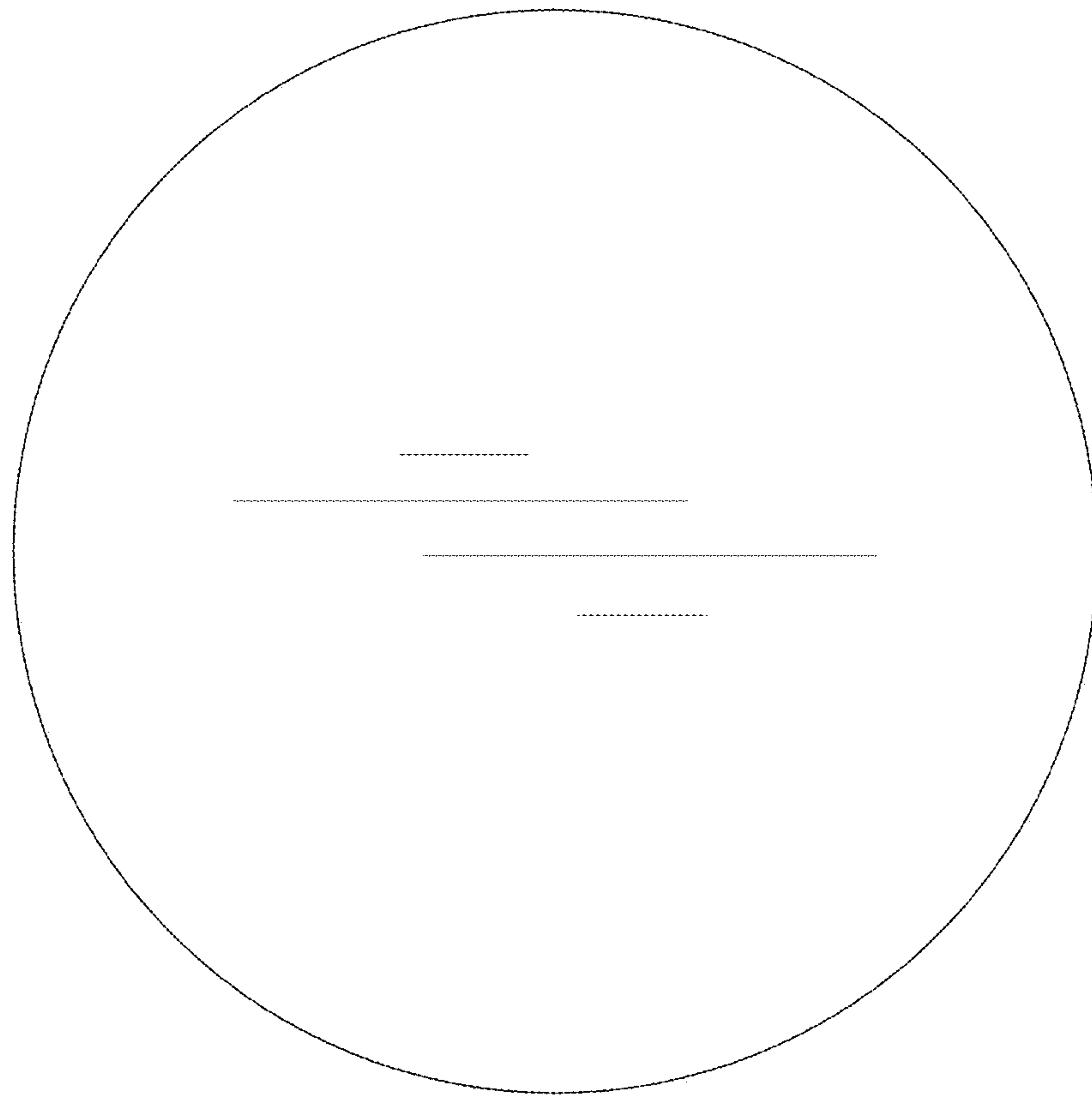


FIG. 6

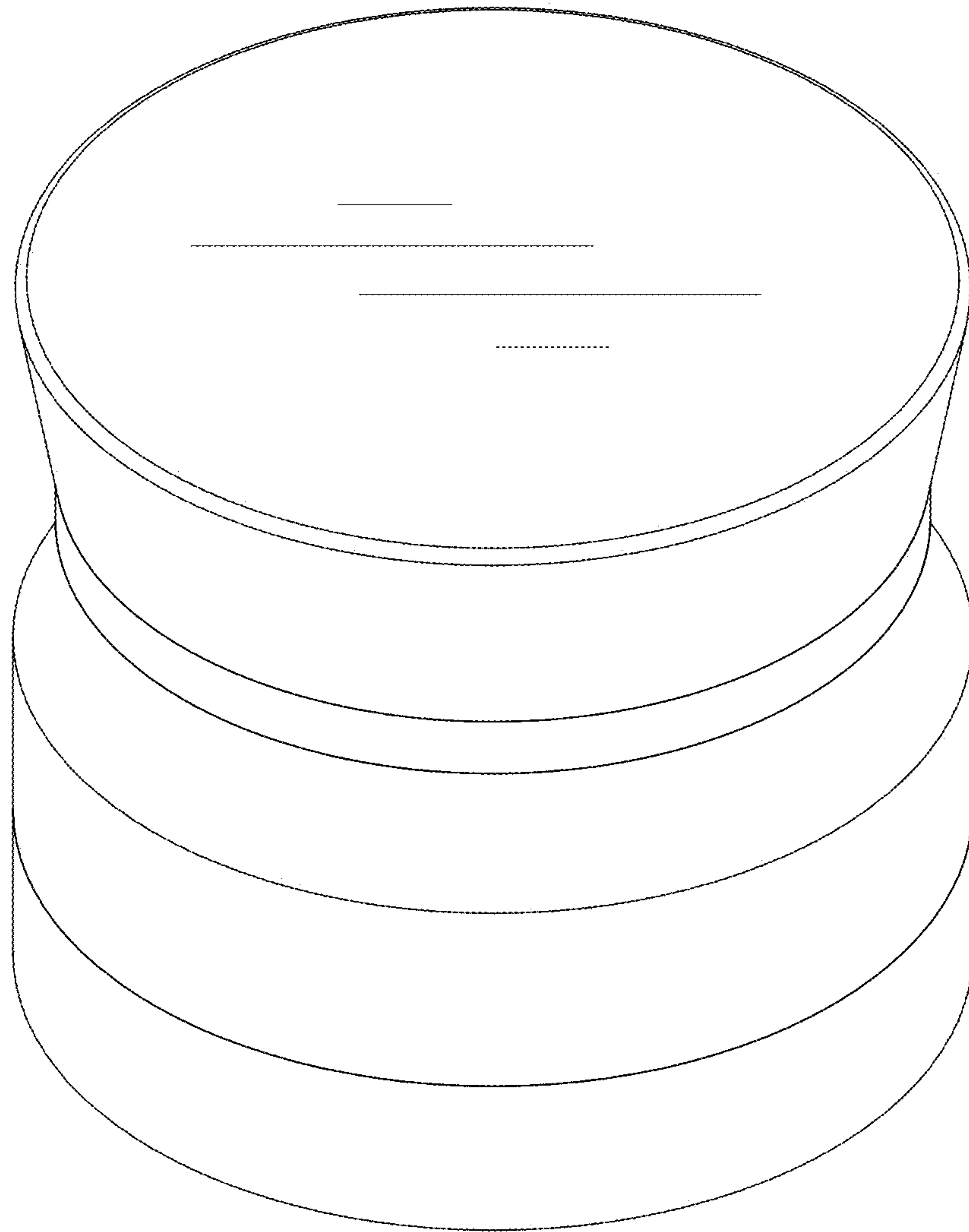


FIG. 7

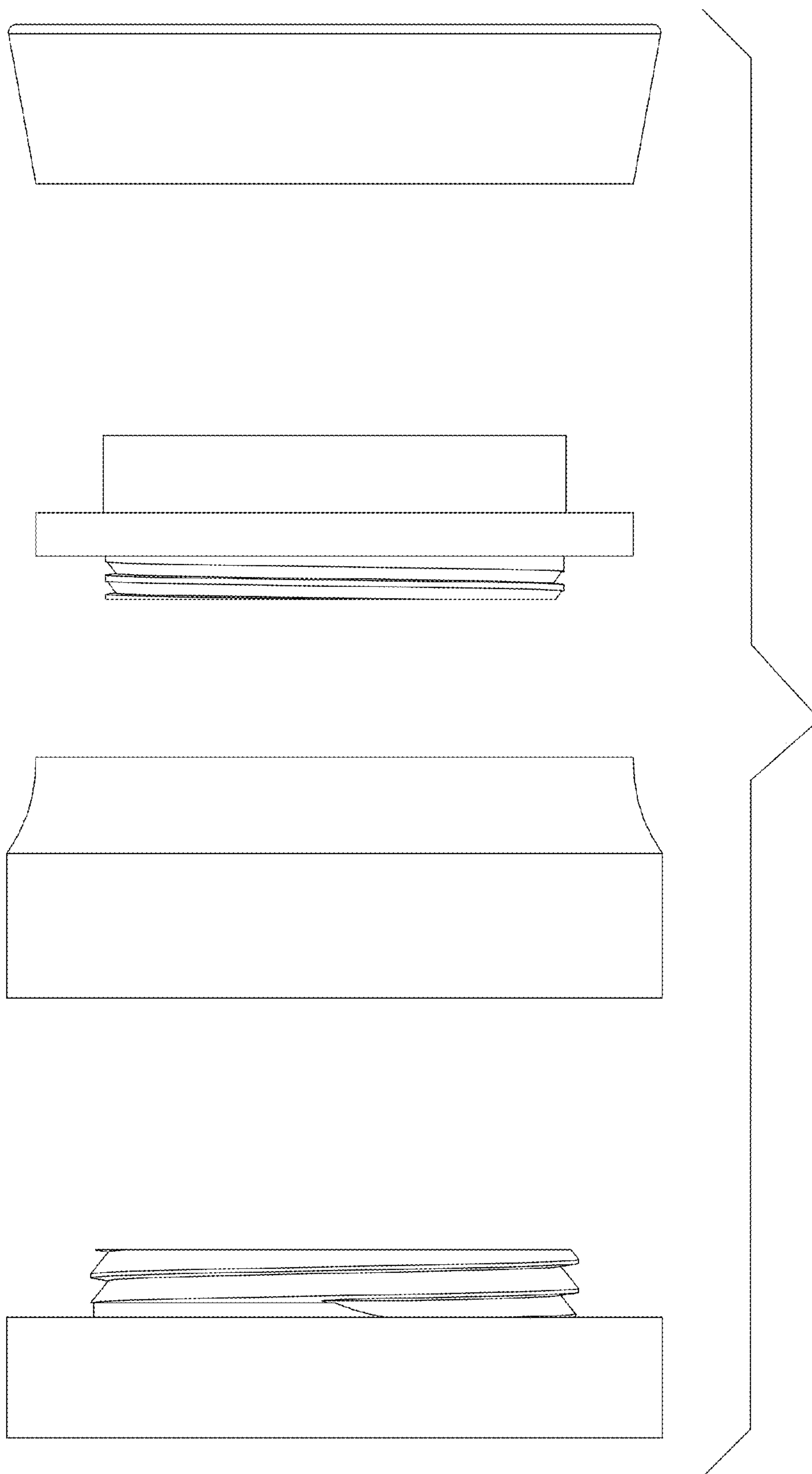


FIG. 8

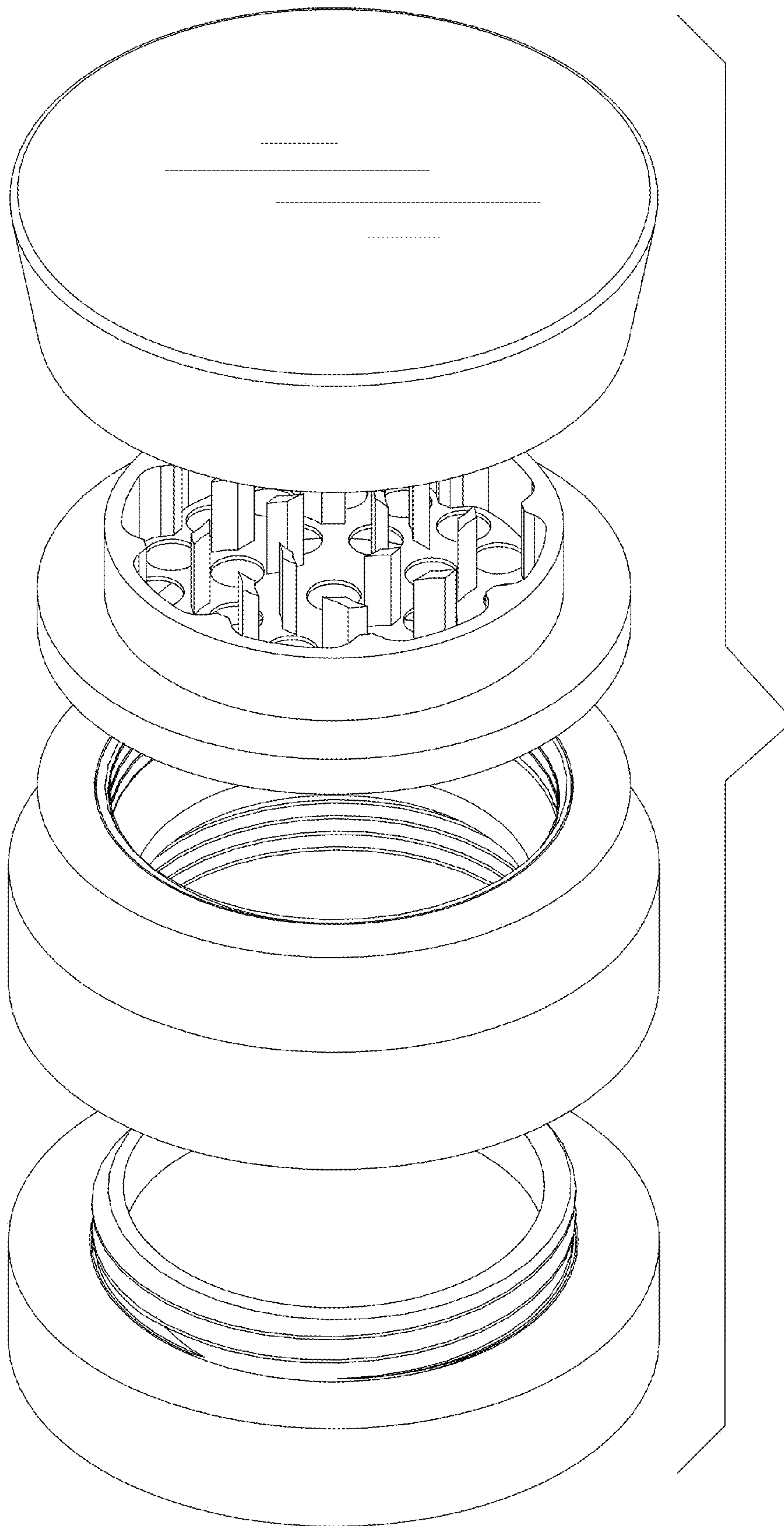


FIG. 9

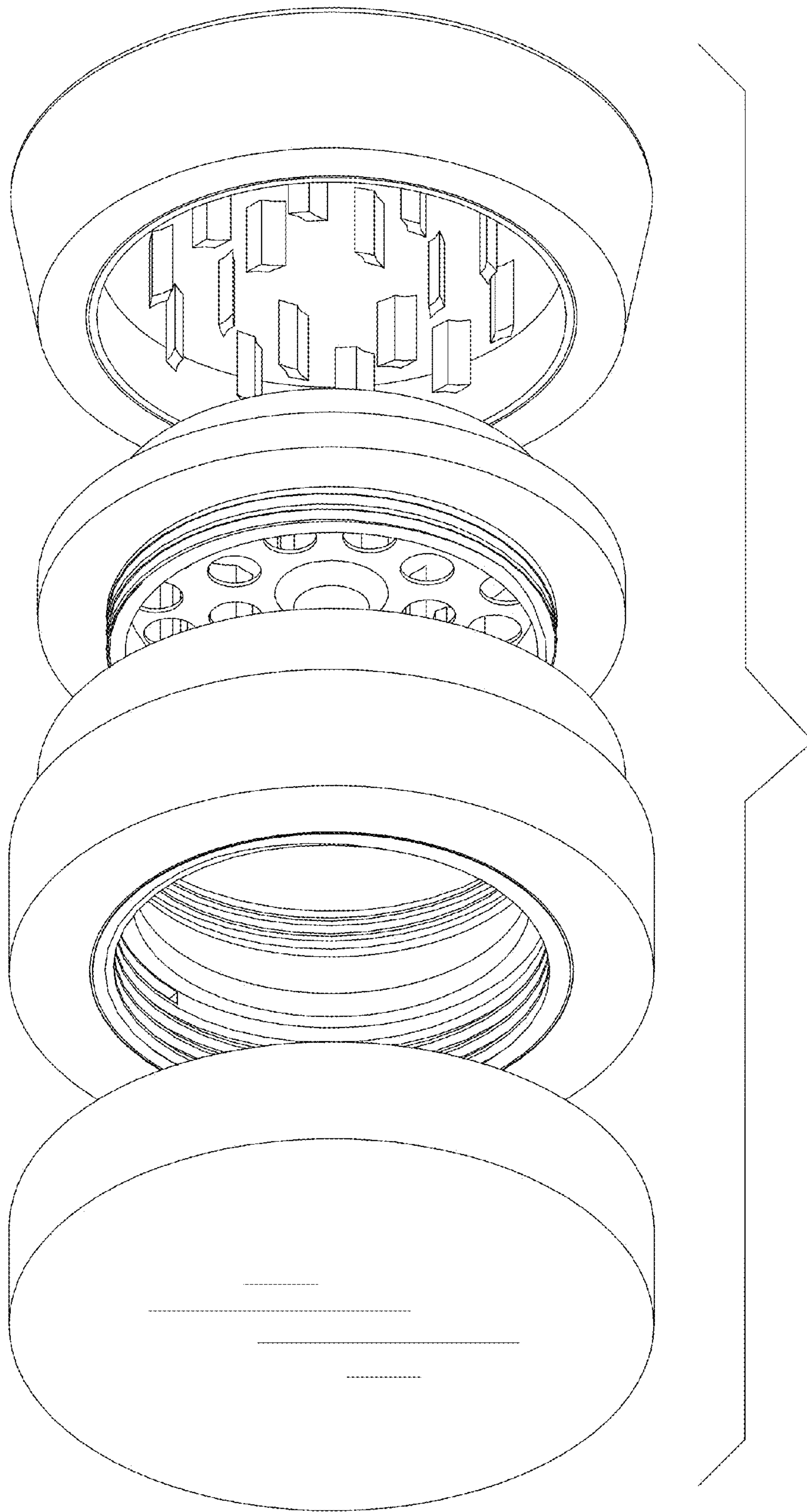


FIG. 10