



US00D920030S

(12) **United States Design Patent**
Stojanovski

(10) **Patent No.:** **US D920,030 S**

(45) **Date of Patent:** **** May 25, 2021**

(54) **PIZZA PAN**

(71) Applicant: **Dimitrije Stojanovski**, Shelby Township, MI (US)

(72) Inventor: **Dimitrije Stojanovski**, Shelby Township, MI (US)

(73) Assignee: **Dimitrije Stojanovski**, Shelby Township, MI (US)

(**) Term: **15 Years**

(21) Appl. No.: **29/679,514**

(22) Filed: **Feb. 7, 2019**

Related U.S. Application Data

(63) Continuation-in-part of application No. 15/705,387, filed on Sep. 15, 2017, which is a continuation-in-part of application No. 15/078,460, filed on Mar. 23, 2016, now Pat. No. 10,800,059.

(51) **LOC (13) Cl.** **07-02**

(52) **U.S. Cl.**
USPC **D7/359**

(58) **Field of Classification Search**
USPC D7/323, 352, 354, 355, 356, 357, 358, D7/359, 360, 361, 362, 363, 364, 365, D7/366, 402, 409, 753; D3/304; D9/736, 749, 755, 758, 759, 748; D1/105, 124
CPC .. A21B 3/00; A21B 3/13; A21B 3/131; A21B 3/132; A21B 3/135; A21B 3/136; A21B 3/137; A21B 3/15; A21B 5/00; A21B 5/02; A21B 5/04; A47J 36/00; A47J 36/02; A47J 36/06; A47J 36/16; A47J 36/24; A47J 36/022; A47J 36/027; A47J 37/00; A47J 37/01; A47J 37/04; A47J 37/06; A47J 37/10; A47J 37/07; A47J 37/0781; A47J 37/0658; A47J 43/20

See application file for complete search history.

(56) **References Cited**

U.S. PATENT DOCUMENTS

4,058,214 A * 11/1977 Mancuso B65D 81/3816
206/545
D292,470 S * 10/1987 Oh D7/354
4,706,832 A * 11/1987 Citino A21B 3/15
126/12
D334,509 S * 4/1993 Melvin D7/409
(Continued)

FOREIGN PATENT DOCUMENTS

DE 19628934 A1 * 1/1998 B65D 21/0233

OTHER PUBLICATIONS

This Serving Tray Prevents Person-to-Person Contact When Sharing a Pizza, announced Jun. 12, 2020 [online], retrieved Aug. 14, 2020, retrieved from internet, <https://www.tasteofhome.com/article/no-handl-portion-pa dl-pizza/>.*

(Continued)

Primary Examiner — Dana K Weiland

Assistant Examiner — Messina L Smith

(74) *Attorney, Agent, or Firm* — Quinn IP Law

(57) **CLAIM**

The ornamental design for a pizza pan, as shown and described.

DESCRIPTION

FIG. 1 is a perspective view of a pizza pan, showing the new design;

FIG. 2 is a top view, thereof;

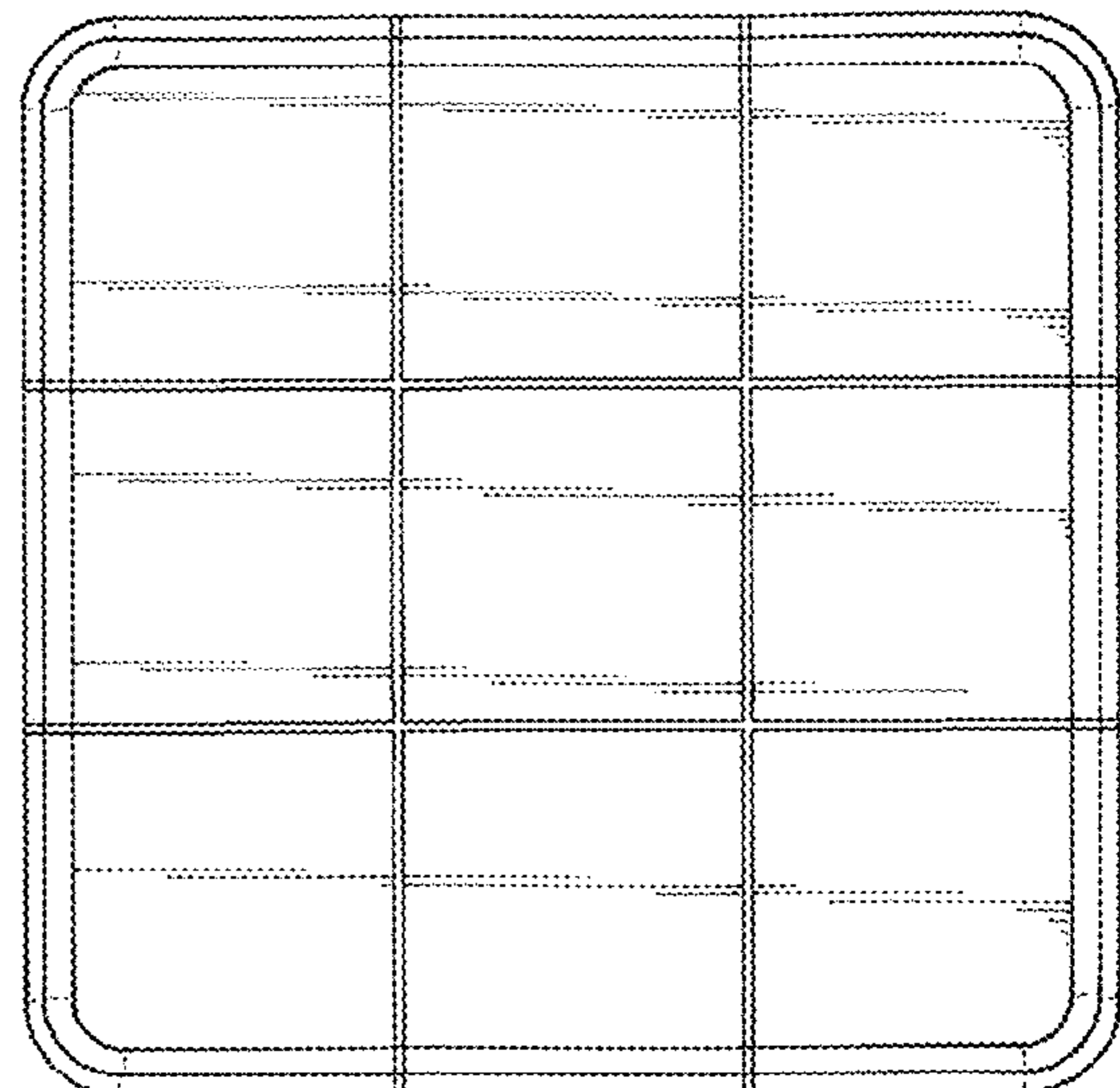
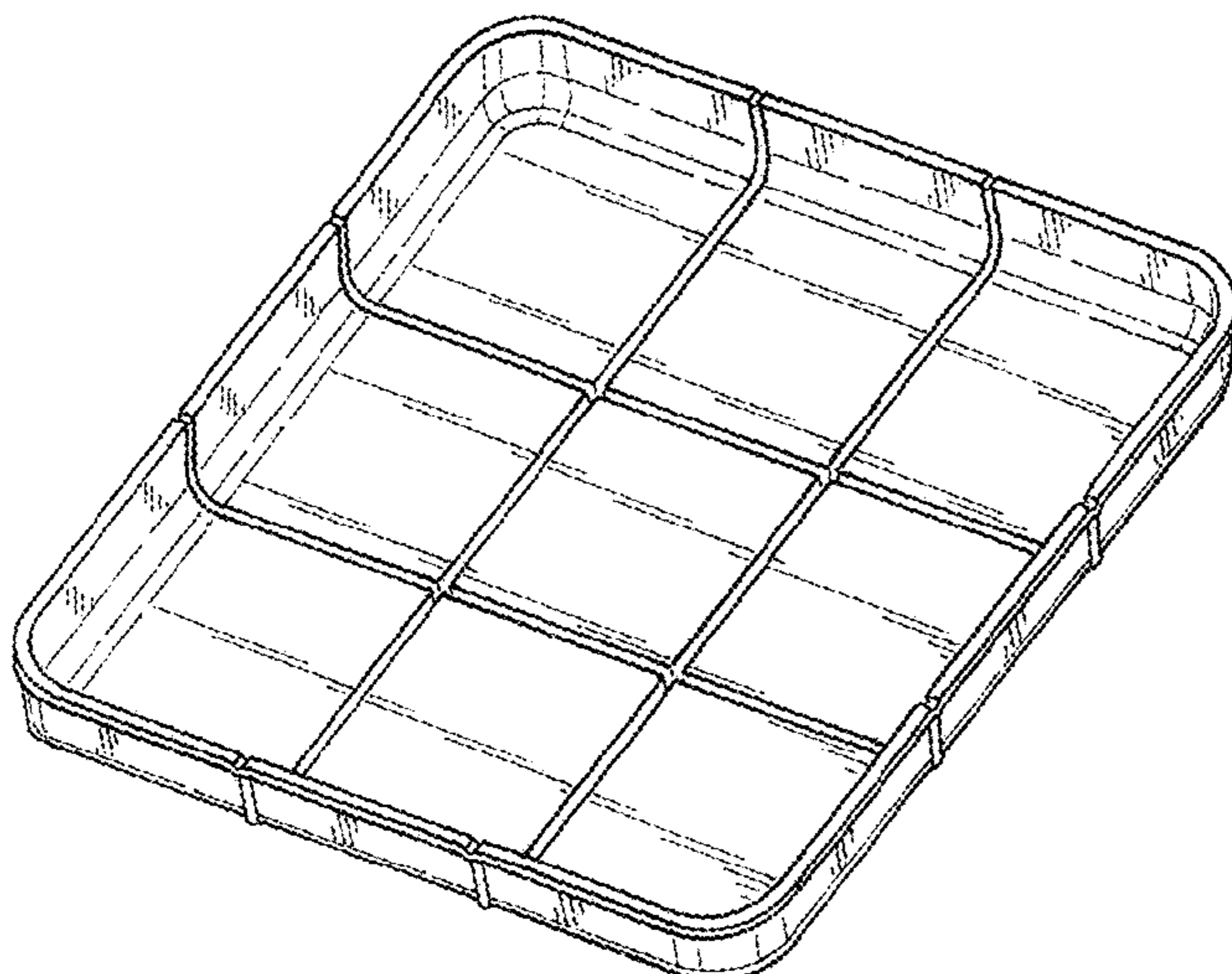
FIG. 3 is a bottom view, thereof;

FIG. 4 is an enlarged perspective view of the top, rear, left corner of the pizza pan;

FIG. 5 is an enlarged perspective view of the bottom, front, left corner of the pizza pan; and,

FIG. 6 is a side view of the pizza pan.

1 Claim, 5 Drawing Sheets



(56)

References Cited

U.S. PATENT DOCUMENTS

6,213,005 B1 * 4/2001 Sherman A47J 27/002
220/573.1
D885,115 S * 5/2020 Cloutier D7/352
D891,778 S * 8/2020 Stevens D3/304
D891,863 S * 8/2020 Burch D7/408
2004/0112852 A1 * 6/2004 Brooks F24C 15/16
211/153
2018/0146684 A1 * 5/2018 Morgan F24C 15/16
2018/0235243 A1 * 8/2018 Smallegan A21D 8/06

OTHER PUBLICATIONS

Idea Zone: No Matter How You Cut It, There's a Portion PadL for That, announced 2020 [online], retrieved Aug. 14, 2020, retrieved from internet, <https://www.pmq.com/idea-zone-no-matter-how-you-cut-it-theres-a-portion-padl-for-that/>.*

American Metalcraft Square Deep Dish Pan, announced Oct. 23, 2020 [online], retrieved Aug. 14, 2020, retrieved from internet, https://www.amazon.com/American-Metalcraft-501410-Square-Aluminum/dp/B003CQKLJ4/ref=pd_day0_c_328_5/130-41952368469163?_encoding=UTF8&pd_rd_i=B003CQKLJ4&pd_rd_r=eb636812-5760-439e-9221-.*

* cited by examiner

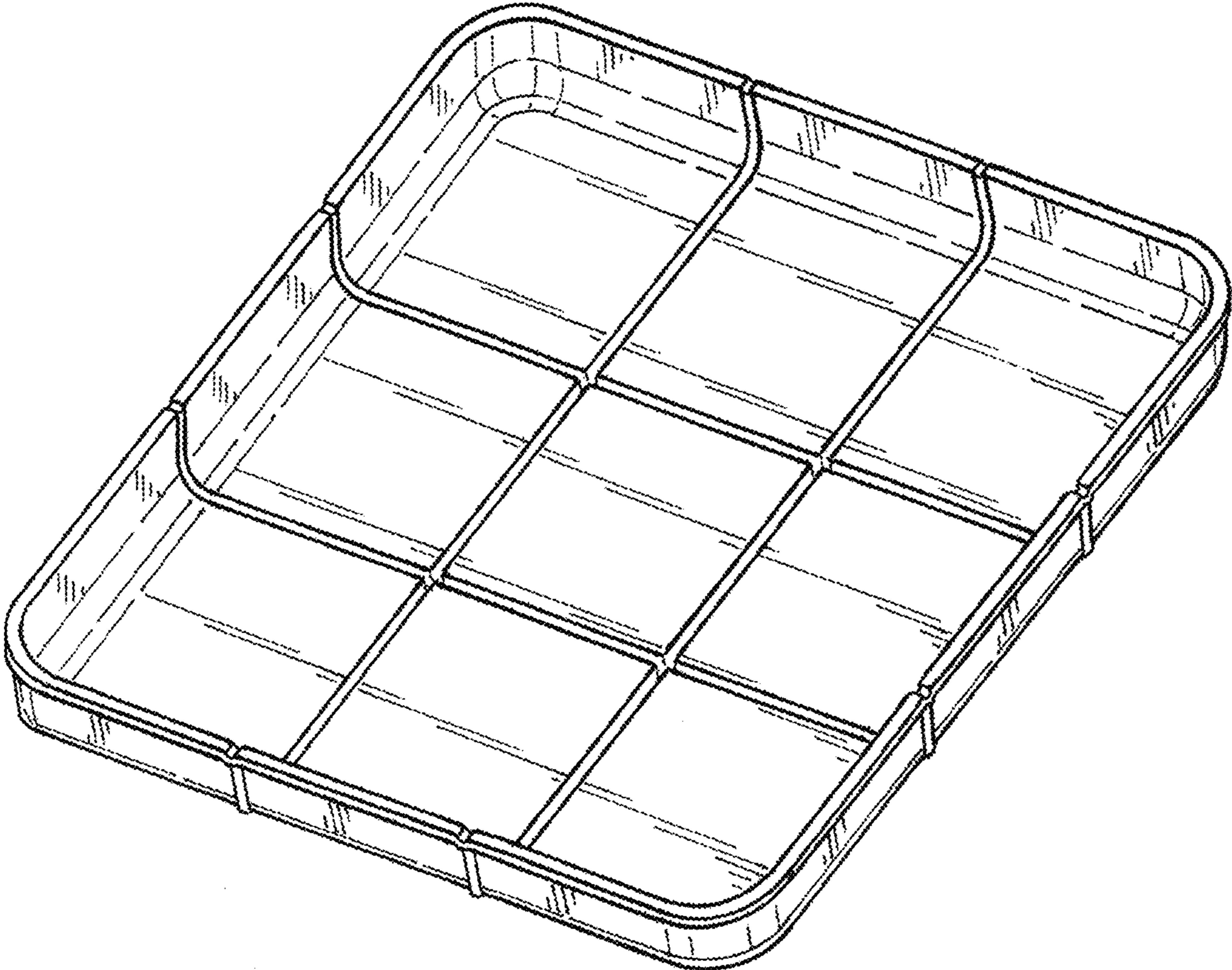


FIG.1

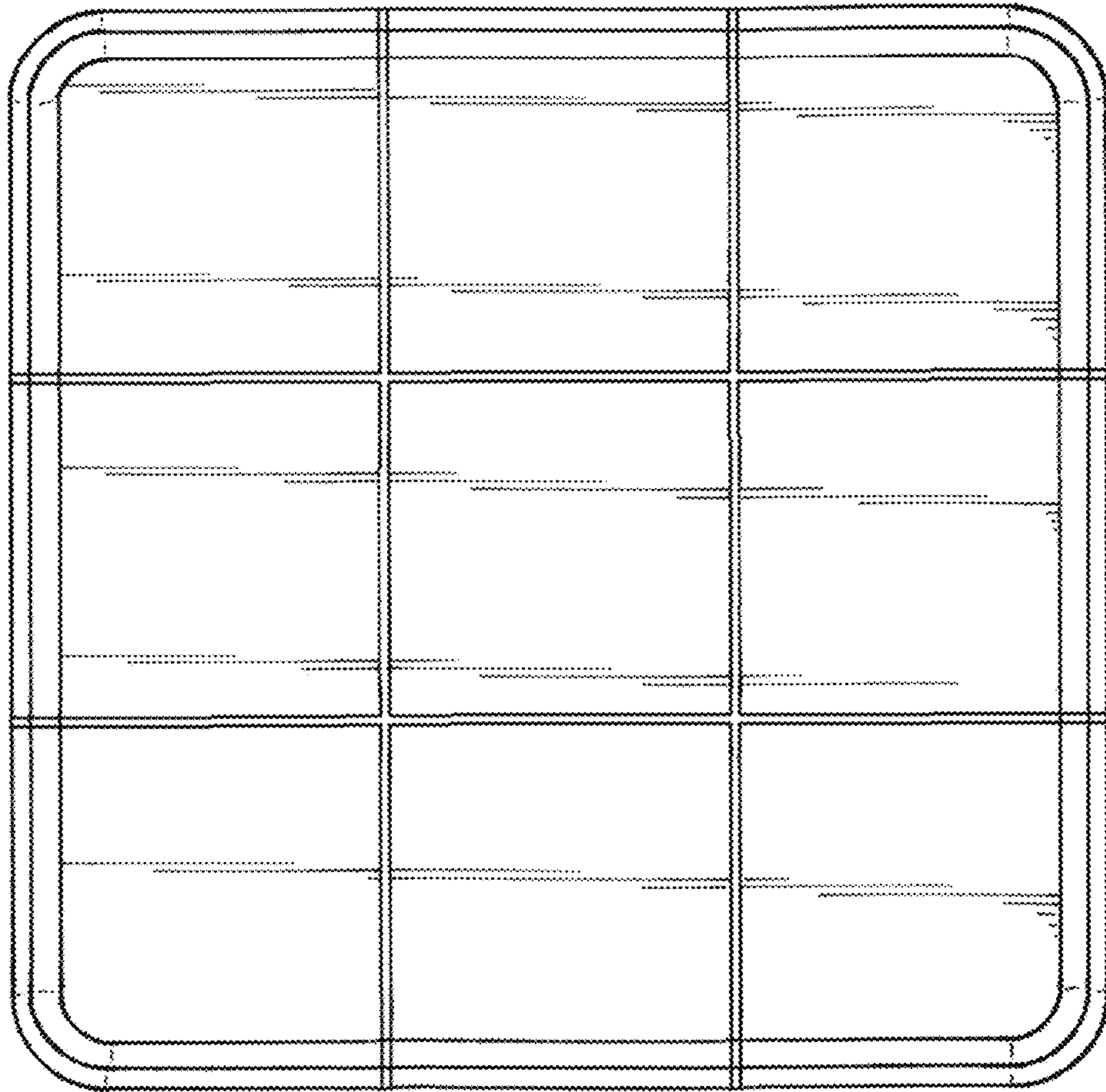


FIG. 2

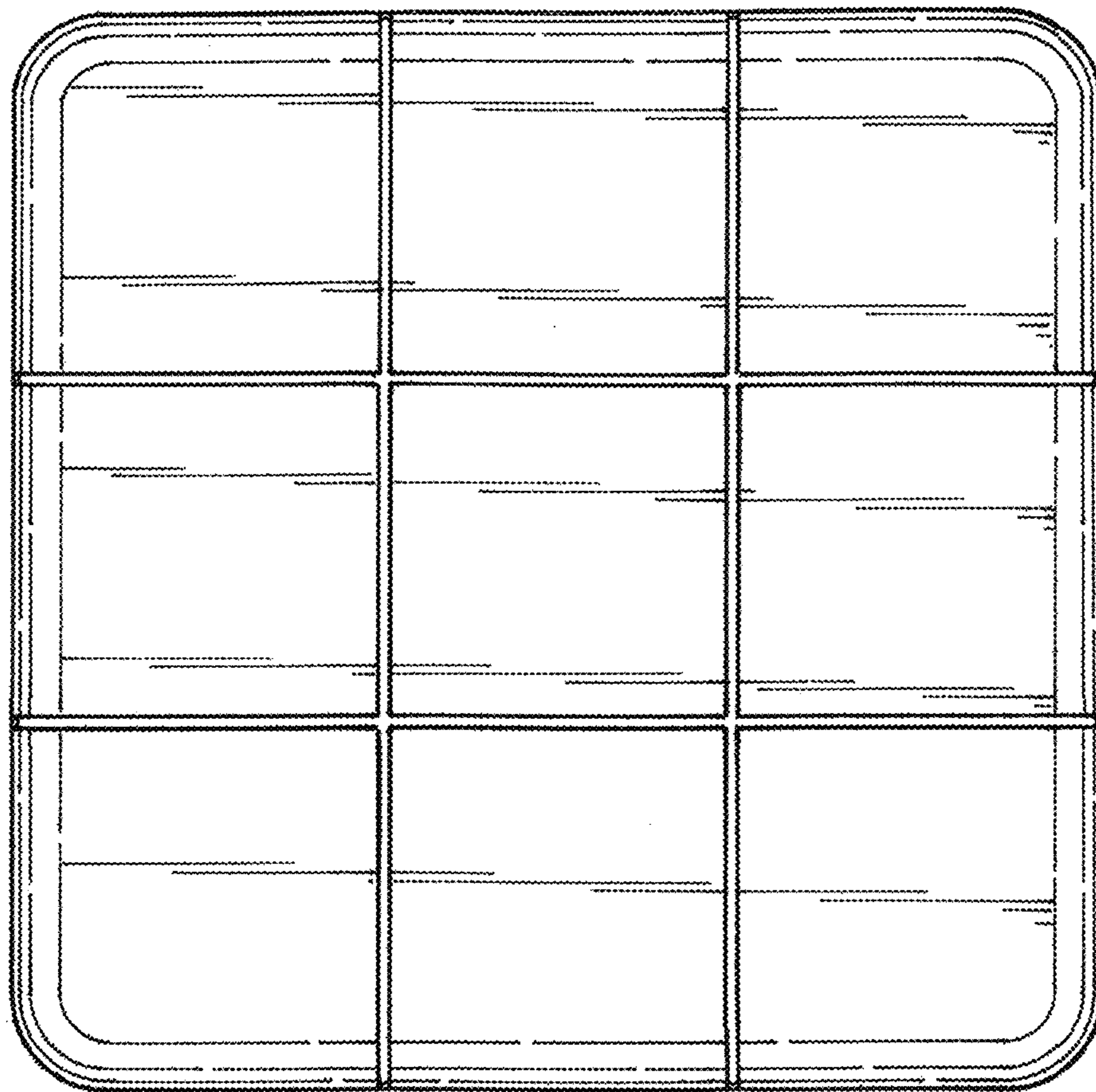


FIG. 3

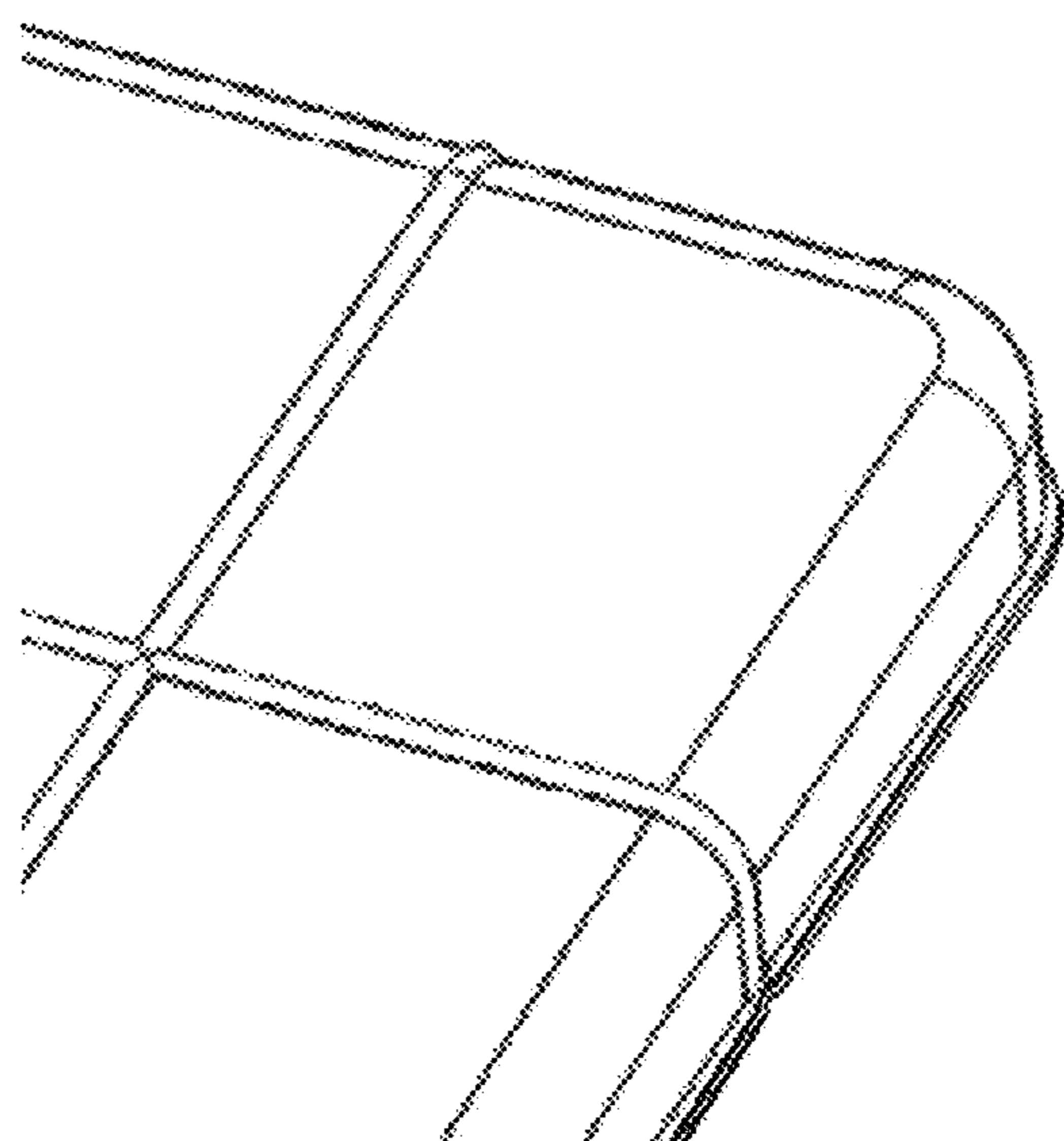


FIG. 4

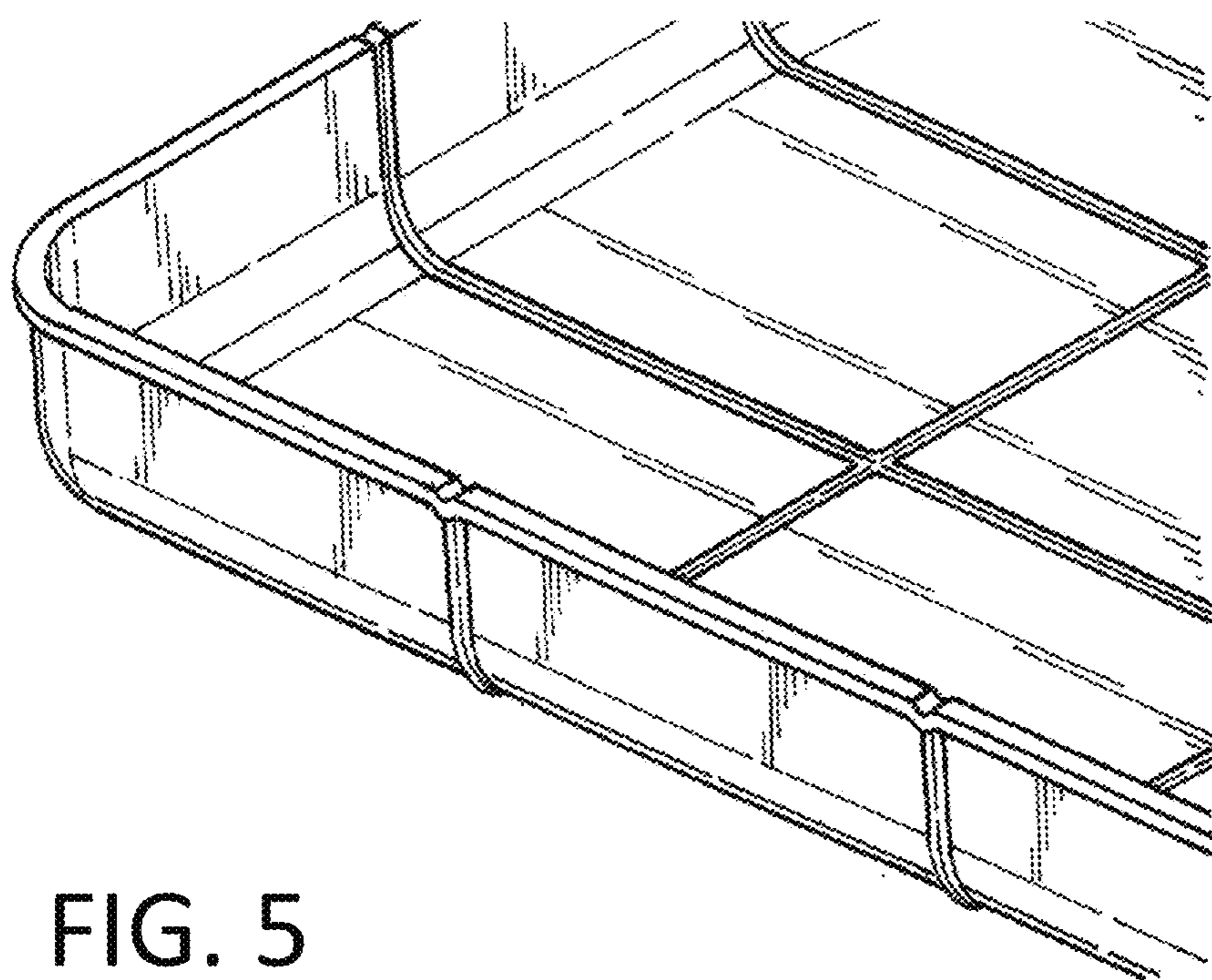


FIG. 5

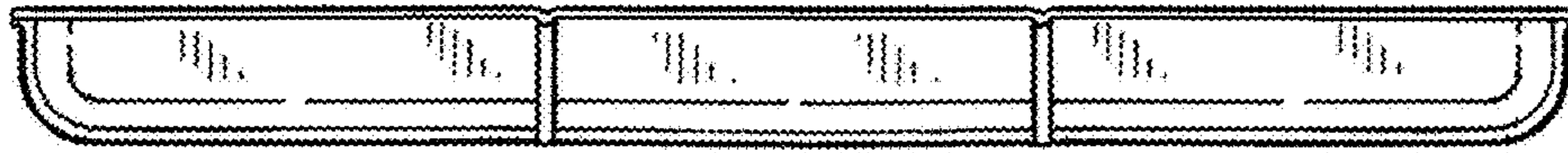


FIG.6