



US00D920029S

(12) **United States Design Patent** (10) **Patent No.:** **US D920,029 S**
Nguyen-Geslin (45) **Date of Patent:** **** May 25, 2021**

(54) **ELECTRIC DEEP FRYER**

D414,072 S 9/1999 Powell
D422,447 S 4/2000 Josancy
D423,277 S 4/2000 Josancy
(Continued)

(71) Applicant: **SEB**, Selongey (FR)

(72) Inventor: **Shanti-Paul Nguyen-Geslin**,
Caluire-et-Cuire (FR)

(73) Assignee: **SEB**, Selongey (FR)

(**) Term: **15 Years**

(21) Appl. No.: **29/699,619**

(22) Filed: **Jul. 26, 2019**

(30) **Foreign Application Priority Data**

Feb. 1, 2019 (EM) 006145520-0001

(51) **LOC (13) Cl.** **07-02**

(52) **U.S. Cl.**
USPC **D7/354**

(58) **Field of Classification Search**
USPC D7/323, 337, 339, 340, 341, 352, 354,
D7/355, 356, 357, 358, 359, 360, 361,
D7/393, 402, 403, 409, 601, 612
CPC A21B 1/06; A21B 1/26; A21B 1/50; A21B
1/52; A47J 37/04; A47J 37/06; A47J
37/015; A47J 37/067; A47J 37/0629;
A47J 37/0676; A47J 37/108; A47J 36/16;
A47J 36/20; A47J 36/22; F24C 7/06;
F24C 15/02; H05B 3/20; H05B 3/40
See application file for complete search history.

(56) **References Cited**

U.S. PATENT DOCUMENTS

D347,353 S 5/1994 Piret et al.
D360,804 S * 8/1995 Hamada D7/323
5,469,782 A 11/1995 Wong
D374,588 S 10/1996 Federico
D386,646 S 11/1997 Wurth
D387,243 S 12/1997 Bumoux
D397,579 S 9/1998 Wu Chang

FOREIGN PATENT DOCUMENTS

EP 1428464 A1 * 6/2004
FR 05/630 2/2006
(Continued)

OTHER PUBLICATIONS

Presto CoolDaddy Cool Touch Electric Deep Fryer, announced ©2020 [online], retrieved Jul. 31, 2020, retrieved from internet, <https://www.kroger.com/p/presto-cooldaddy-cool-touch-electric-deep-fryer-black/0007574105442>.*

(Continued)

Primary Examiner — Dana K Weiland
Assistant Examiner — Messina L Smith
(74) *Attorney, Agent, or Firm* — Loeb & Loeb LLP

(57) **CLAIM**

The ornamental design for an electric deep fryer, as shown and described.

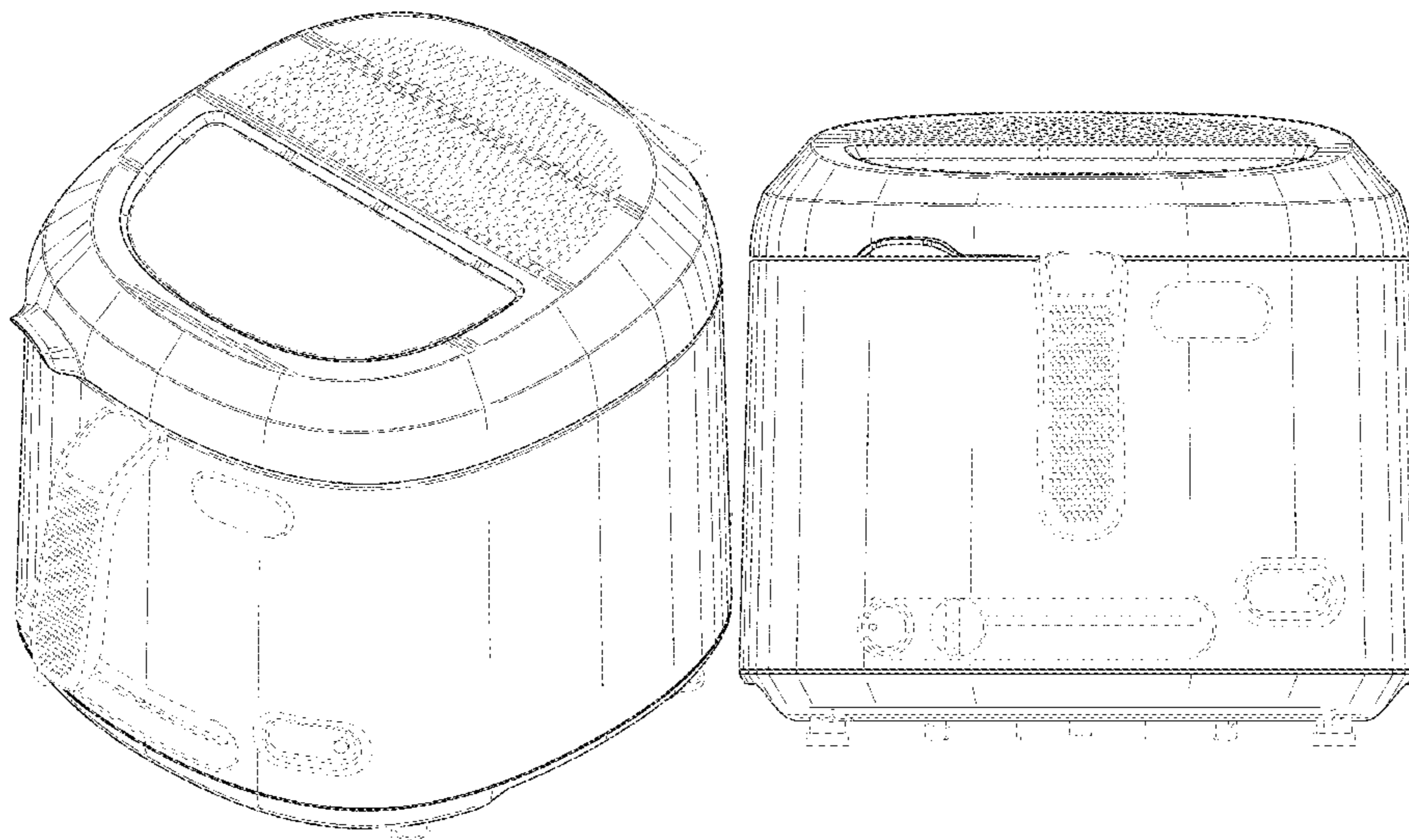
DESCRIPTION

FIG. 1 is a perspective view of an electric deep fryer showing my new design;
FIG. 2 is a front elevational view thereof;
FIG. 3 is a back elevational view thereof;
FIG. 4 is a right side elevational view thereof;
FIG. 5 is a left side elevational view thereof;
FIG. 6 is a top view thereof; and,
FIG. 7 is a bottom view thereof.

The dash lines are shown for the purpose of illustrating parts of the electric deep fryer that form no part of the claimed design.

The dot dash lines are for the purpose of illustrating the bounds of the claim and form no part thereof.

1 Claim, 7 Drawing Sheets



(56)

References Cited

U.S. PATENT DOCUMENTS

D424,366 S 5/2000 Blaise
 D436,795 S 1/2001 Martres et al.
 D446,680 S 8/2001 Falt et al.
 D452,795 S 1/2002 Johnson et al.
 D463,711 S 10/2002 Josancy
 D464,526 S 10/2002 Brown
 D465,125 S 11/2002 Chedal Anglay
 D473,097 S 4/2003 Brown et al.
 D474,937 S 5/2003 Josancy
 D475,570 S 6/2003 Josancy
 D489,935 S 5/2004 Choi
 6,742,444 B1 6/2004 Lai et al.
 6,807,899 B2 10/2004 Dirand
 D533,014 S 12/2006 Choi
 D551,897 S 10/2007 De Pra'
 D557,552 S 12/2007 Matras
 D592,008 S 5/2009 Reiner
 D610,392 S 2/2010 Fiorotto
 D610,866 S * 3/2010 Fiorotto D7/354
 D611,757 S 3/2010 Reiner
 D622,093 S 8/2010 Reiner
 D638,251 S 5/2011 Josancy
 7,993,694 B2 8/2011 Goderiaux et al.
 D655,971 S 3/2012 Reiner
 D664,801 S 8/2012 Reiner
 D676,271 S 2/2013 Reiner
 D677,112 S 3/2013 Piret
 D677,113 S 3/2013 Reiner
 D680,802 S * 4/2013 Seymour D7/354
 D787,258 S * 5/2017 Chung D7/354
 D787,259 S * 5/2017 Chung D7/354
 D803,615 S * 11/2017 Zhang D7/354
 D804,236 S * 12/2017 Zhang D7/354

D816,390 S * 5/2018 Zhang D7/354
 D836,381 S * 12/2018 Moon D7/354
 D871,827 S * 1/2020 Moon D7/354
 D875,463 S * 2/2020 Chen D7/354
 D878,850 S * 3/2020 Hu D7/354
 D879,541 S * 3/2020 Chen D7/354
 D879,542 S * 3/2020 Chen D7/354
 D880,220 S * 4/2020 Chen D7/354
 D887,197 S * 6/2020 Li D7/354
 D887,198 S * 6/2020 Zhao D7/354
 2005/0194372 A1 * 9/2005 Lau A47J 37/129
 219/441
 2008/0163764 A1 7/2008 Payen et al.
 2008/0213447 A1 9/2008 Payen et al.
 2016/0192808 A1 * 7/2016 Van Der Burg A47J 37/049
 99/443 C
 2018/0153348 A1 * 6/2018 Man A47J 37/1209
 2018/0263418 A1 * 9/2018 Hedrington A47J 37/1266

FOREIGN PATENT DOCUMENTS

FR 09/2453 7/2009
 FR 11/5630 2/2011
 FR 11/5966 3/2012
 JP 2017077352 A * 4/2017
 JP 2018201552 A * 12/2018
 JP 2019150266 A * 9/2019

OTHER PUBLICATIONS

2.6 Qt. Electric Deep Fryer, announced Apr. 30, 2019 [online],
 retrieved Jul. 31, 2020, retrieved from internet, <https://www.homedepot.com/p/Brentwood-2-6-Qt-Electric-Deep-Fryer-DF725/302122708>.*

* cited by examiner

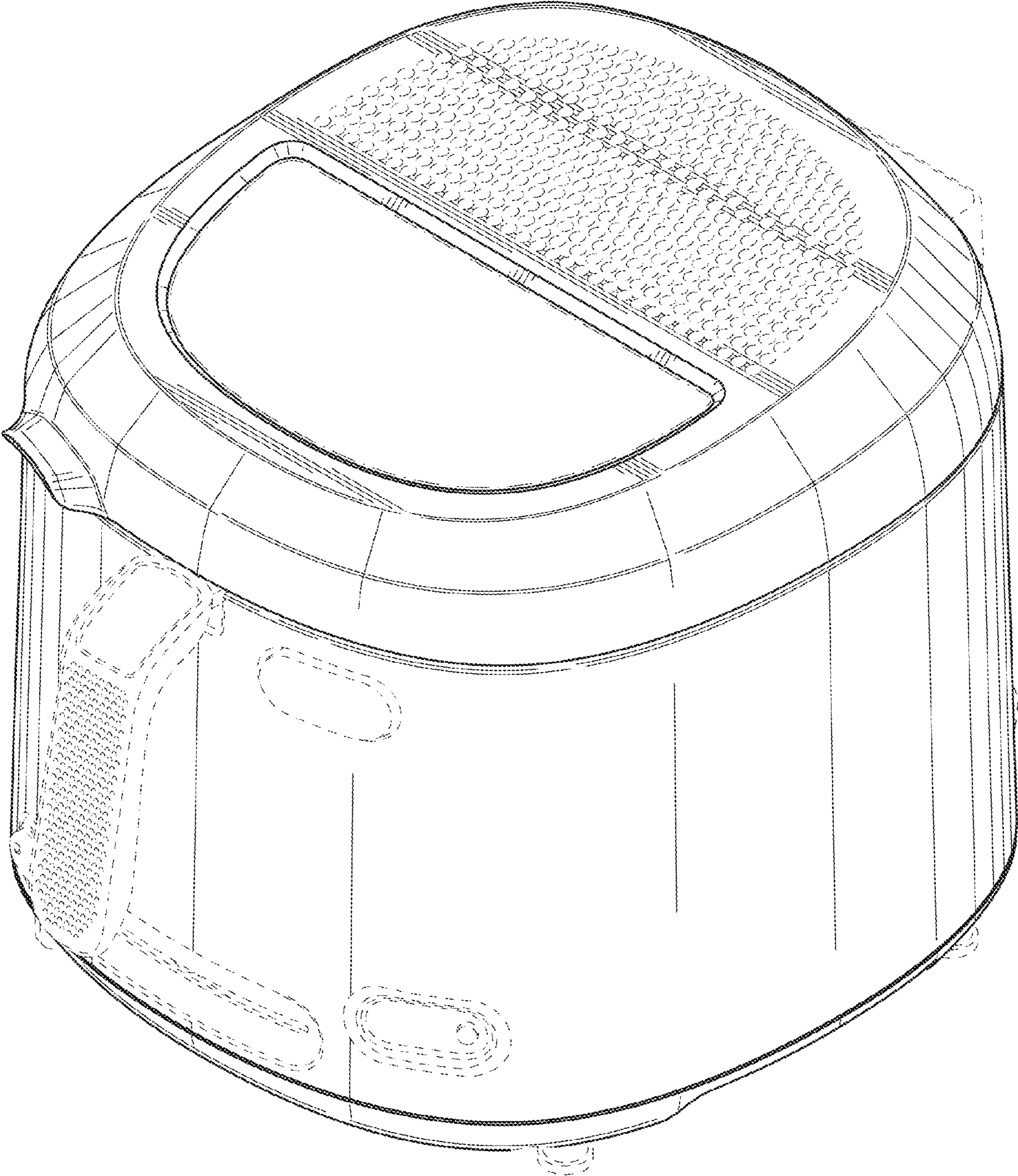


FIG. 1

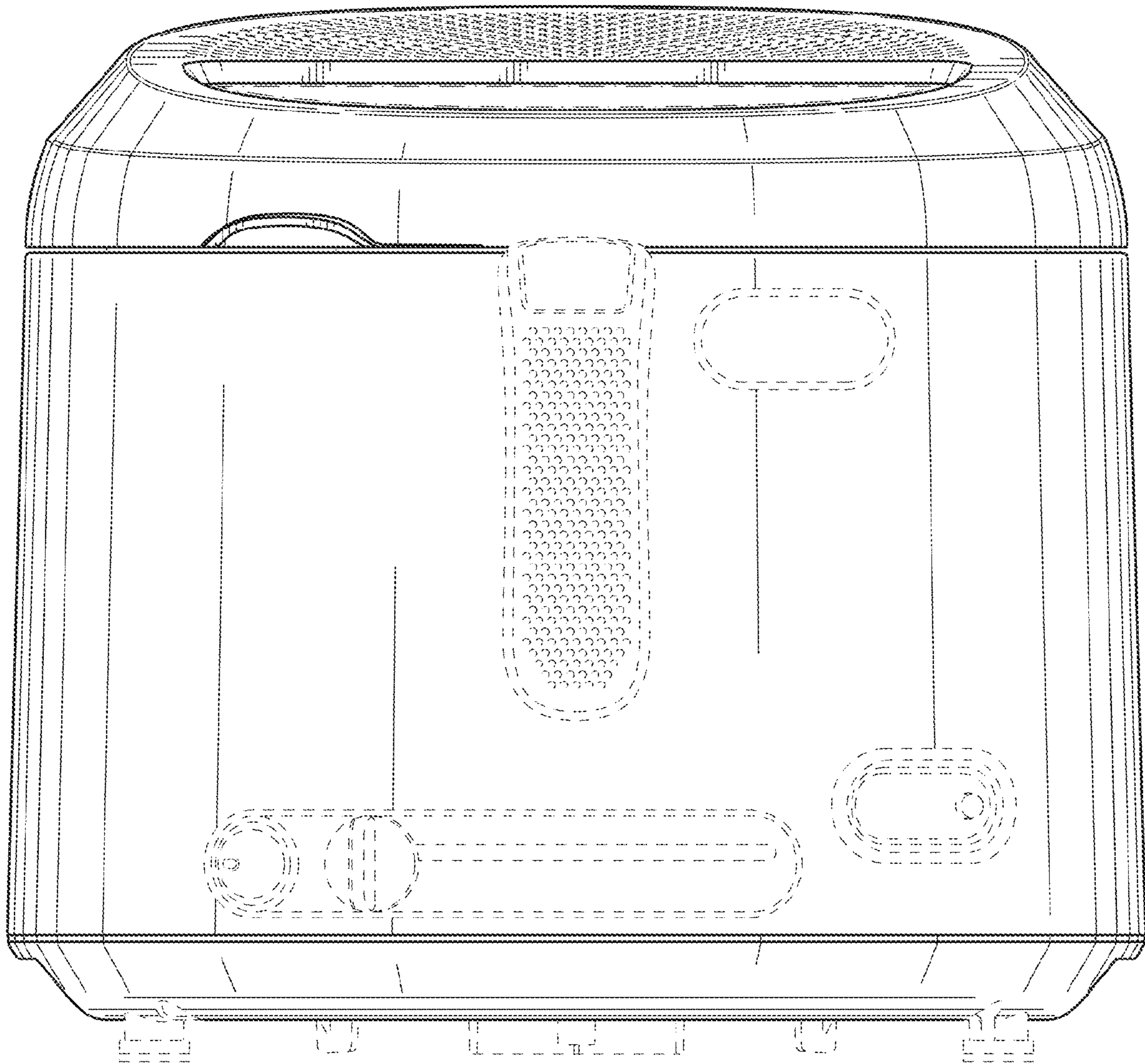


FIG. 2

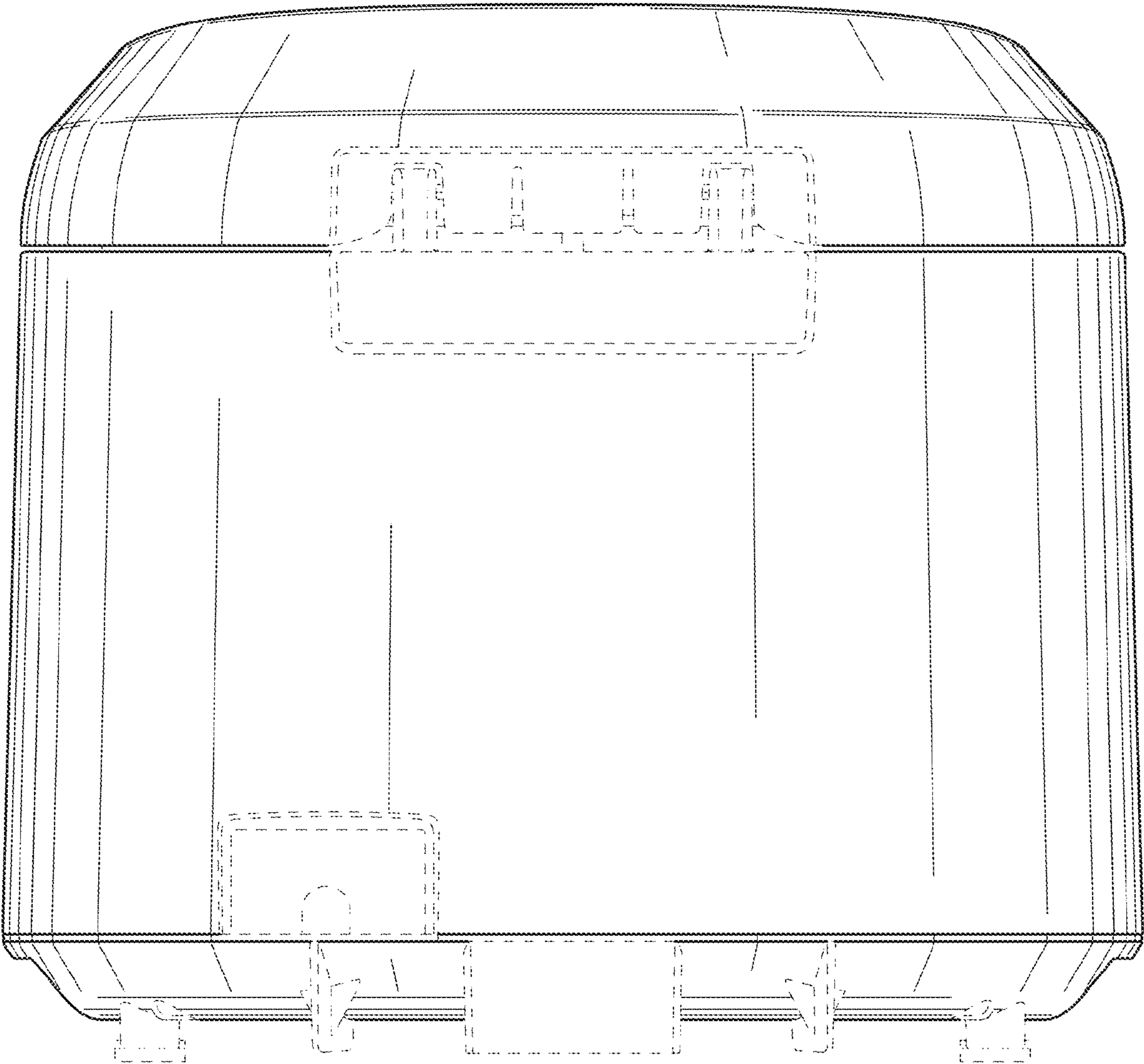


FIG. 3

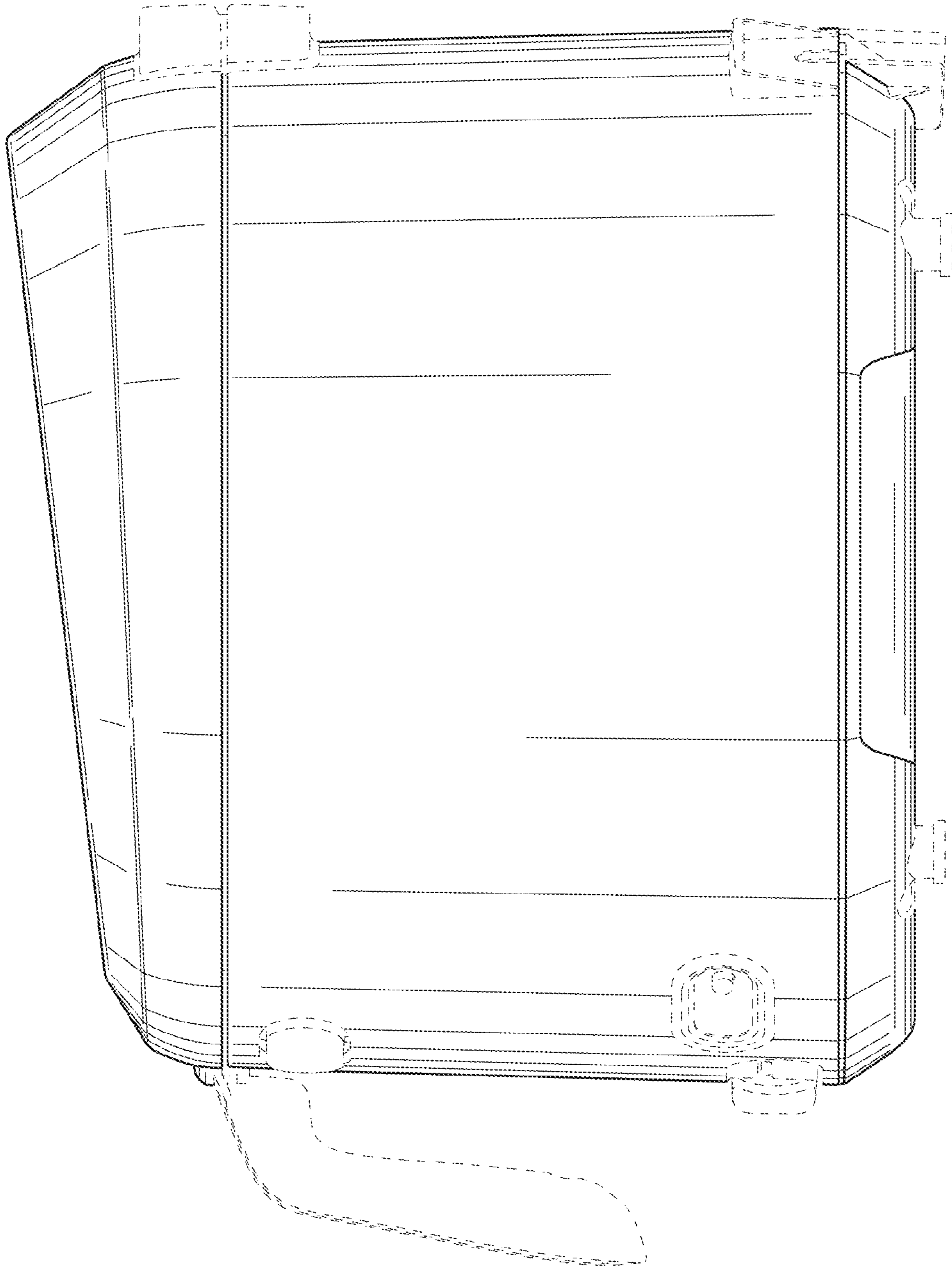


FIG. 4

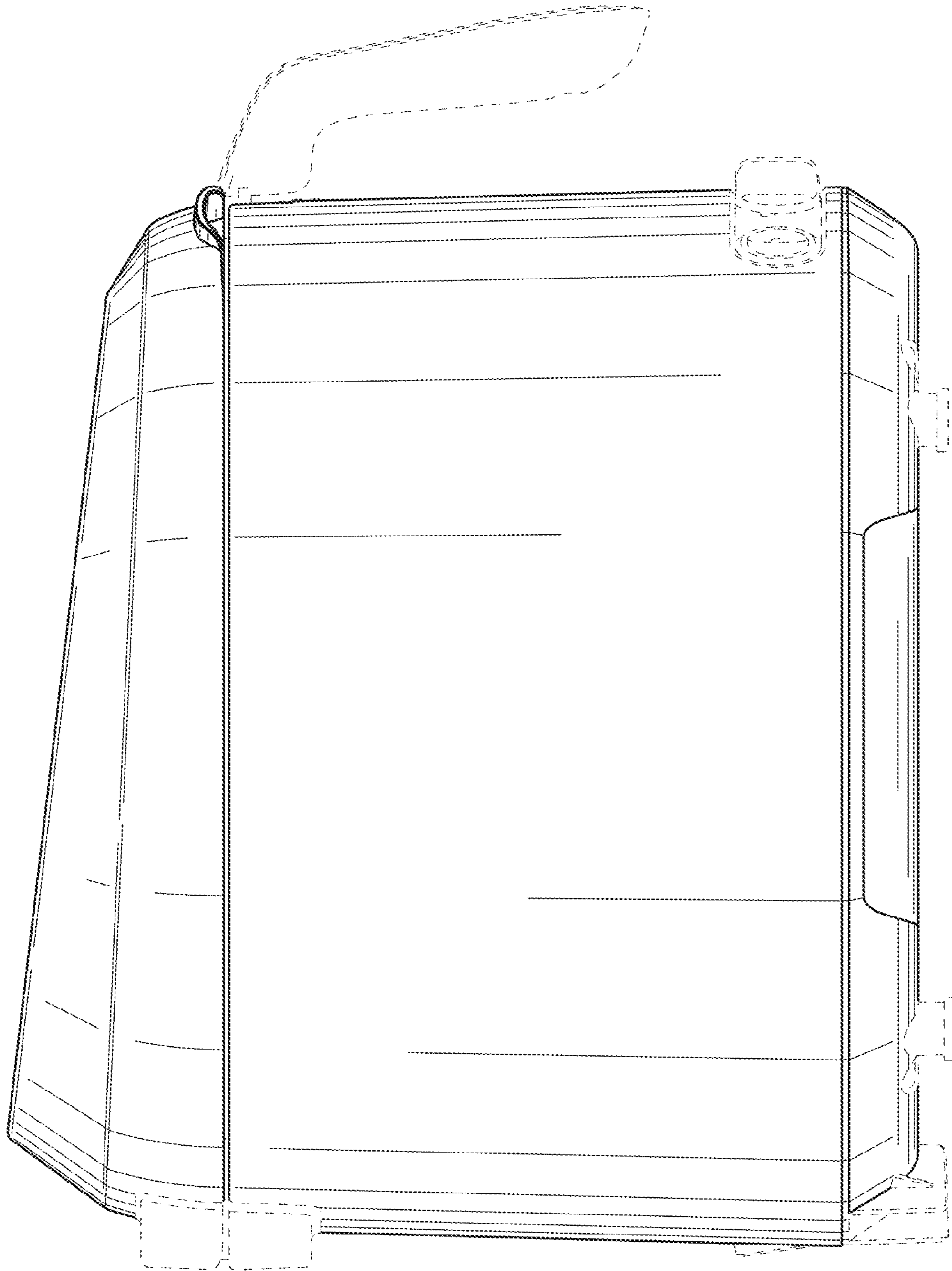


FIG. 5

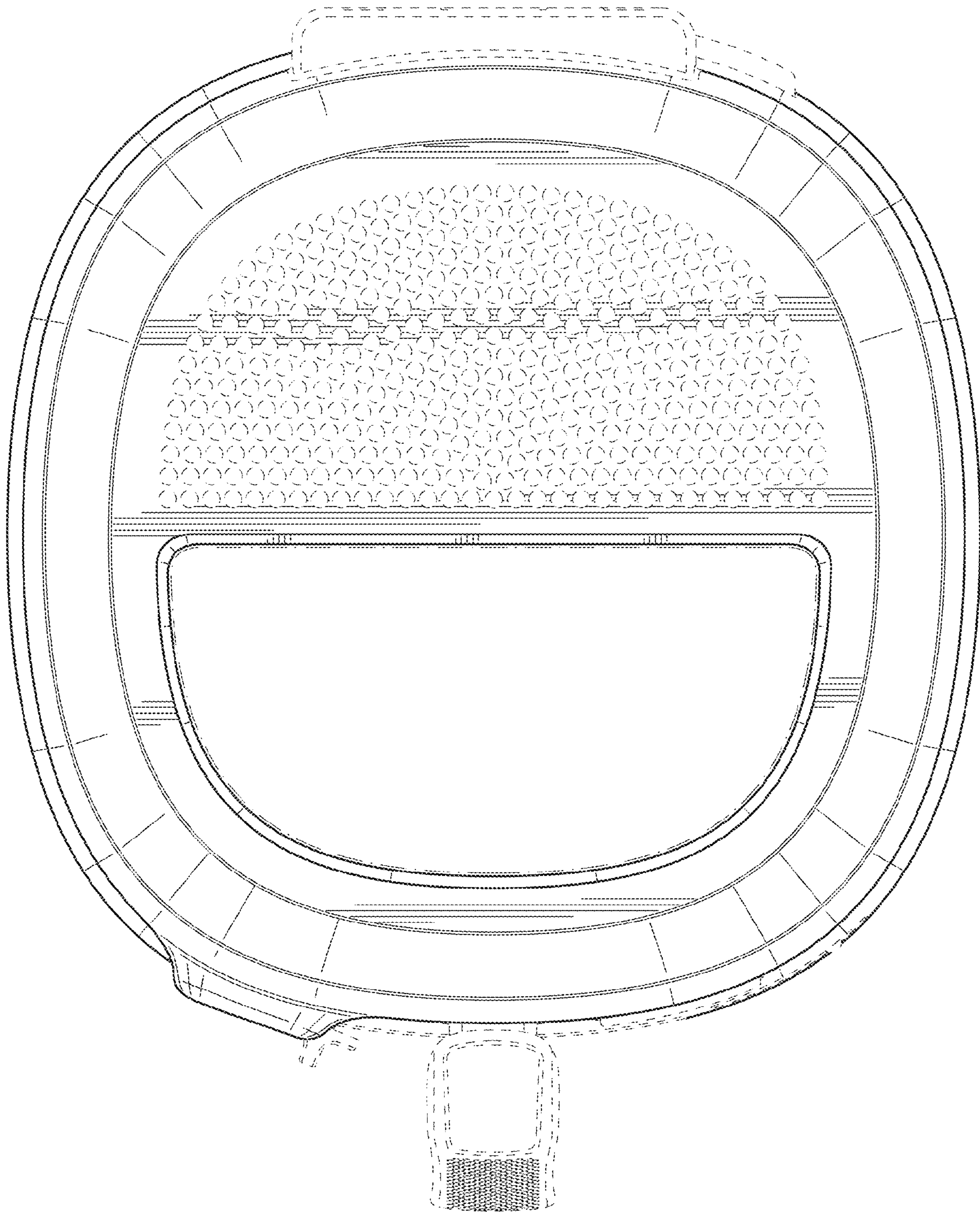


FIG. 6

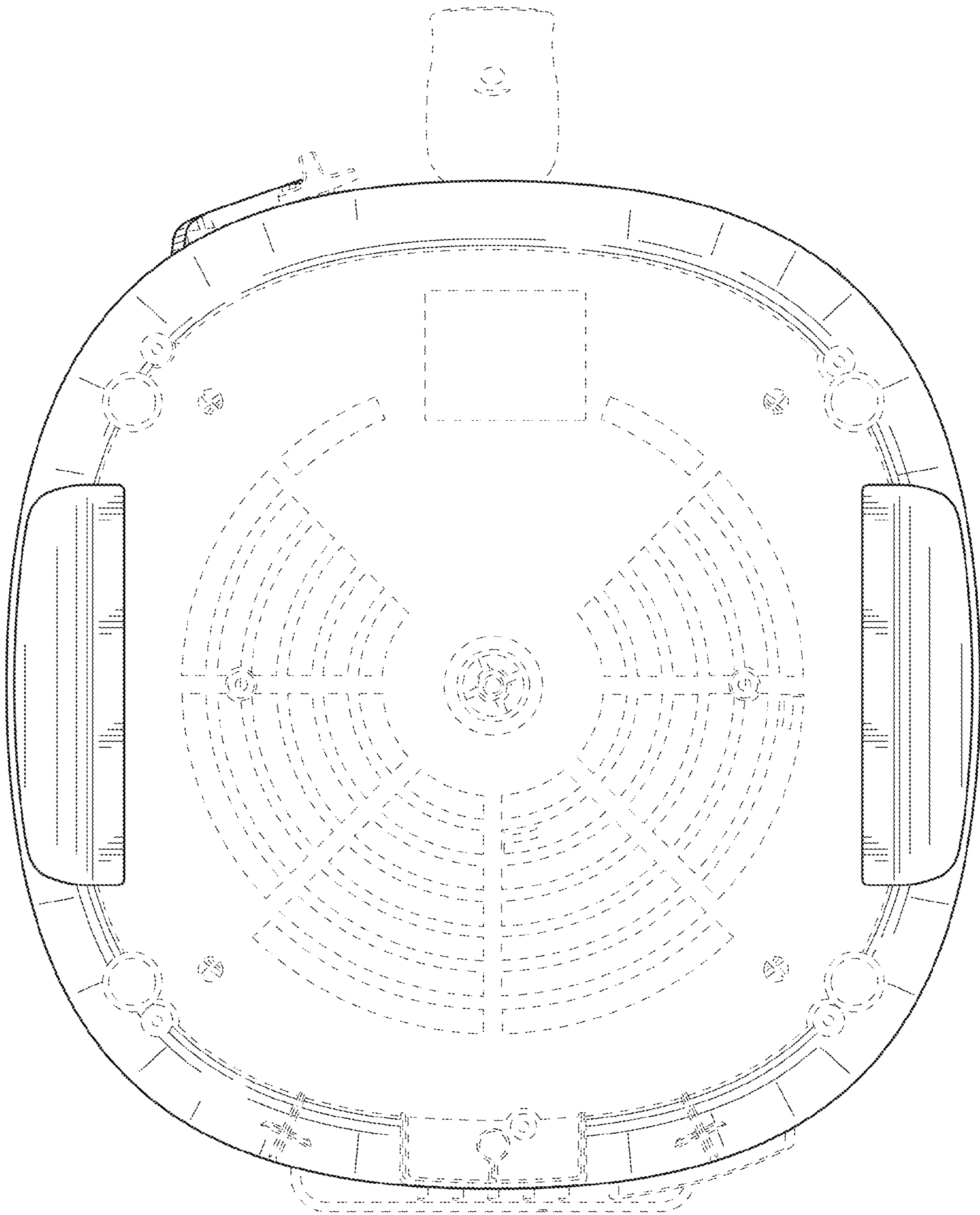


FIG. 7