



US00D920028S

(12) **United States Design Patent**
Georgaras

(10) **Patent No.:** **US D920,028 S**

(45) **Date of Patent:** **** May 25, 2021**

(54) **DEEP OIL FRYER**

(71) Applicant: **Nikolaos Georgaras**, Greenfield Park
(CA)

(72) Inventor: **Nikolaos Georgaras**, Greenfield Park
(CA)

(**) Term: **15 Years**

(21) Appl. No.: **29/681,332**

(22) Filed: **Feb. 25, 2019**

(30) **Foreign Application Priority Data**

Aug. 28, 2018 (CA) CA 183181

(51) **LOC (13) Cl.** **07-02**

(52) **U.S. Cl.**
USPC **D7/354**

(58) **Field of Classification Search**

USPC D7/323, 337, 339, 340, 341, 352, 354,
D7/355, 356, 357, 358, 359, 360, 361,
D7/393, 402, 403, 409, 601, 612

CPC A21B 1/06; A21B 1/26; A21B 1/50; A21B
1/52; A47J 37/04; A47J 37/06; A47J
37/015; A47J 37/067; A47J 37/0629;
A47J 37/0676; A47J 37/108; A47J 36/16;
A47J 36/20; A47J 36/22; F24C 7/06;
F24C 15/02; H05B 3/20; H05B 3/40

See application file for complete search history.

(56) **References Cited**

U.S. PATENT DOCUMENTS

3,626,840 A	12/1971	Day	
3,858,496 A	1/1975	Downers	
D237,798 S *	11/1975	Fisher D7/340
3,981,232 A *	9/1976	Williamson A47J 36/38 99/337
4,324,173 A	4/1982	Moore et al.	
4,430,930 A	2/1984	Waiser	
4,599,990 A	7/1986	Fritzsche et al.	

4,644,931 A * 2/1987 Veth A21B 5/08
126/21 R

D291,047 S * 7/1987 Pappas D7/339

5,431,092 A 7/1995 Guillory

5,887,509 A 3/1999 Russett

D414,649 S * 10/1999 King D34/14

(Continued)

FOREIGN PATENT DOCUMENTS

JP 2011050644 A * 3/2011

WO 2007127076 12/2007

WO 2008105857 9/2008

OTHER PUBLICATIONS

Image Gallery, announced © 2019 [online], retrieved Jun. 16, 2020,
retrieved from internet, <https://nikosfryers.com/image-gallery/>.*

Primary Examiner — Dana K Weiland

Assistant Examiner — Messina L Smith

(74) *Attorney, Agent, or Firm* — Stephen T. Scherrer;
Monique A. Morneault; Scherrer Patent & Trademark
Law, P C.

(57) **CLAIM**

The ornamental design for a deep oil fryer, as shown and
described.

DESCRIPTION

FIG. 1 is a perspective view of a deep oil fryer showing the
new design;

FIG. 2 is a front elevation view of the deep oil fryer;

FIG. 3 is a rear elevation view of the deep oil fryer;

FIG. 4 is a right side elevation view of the deep oil fryer;

FIG. 5 is a left side elevation view of the deep oil fryer;

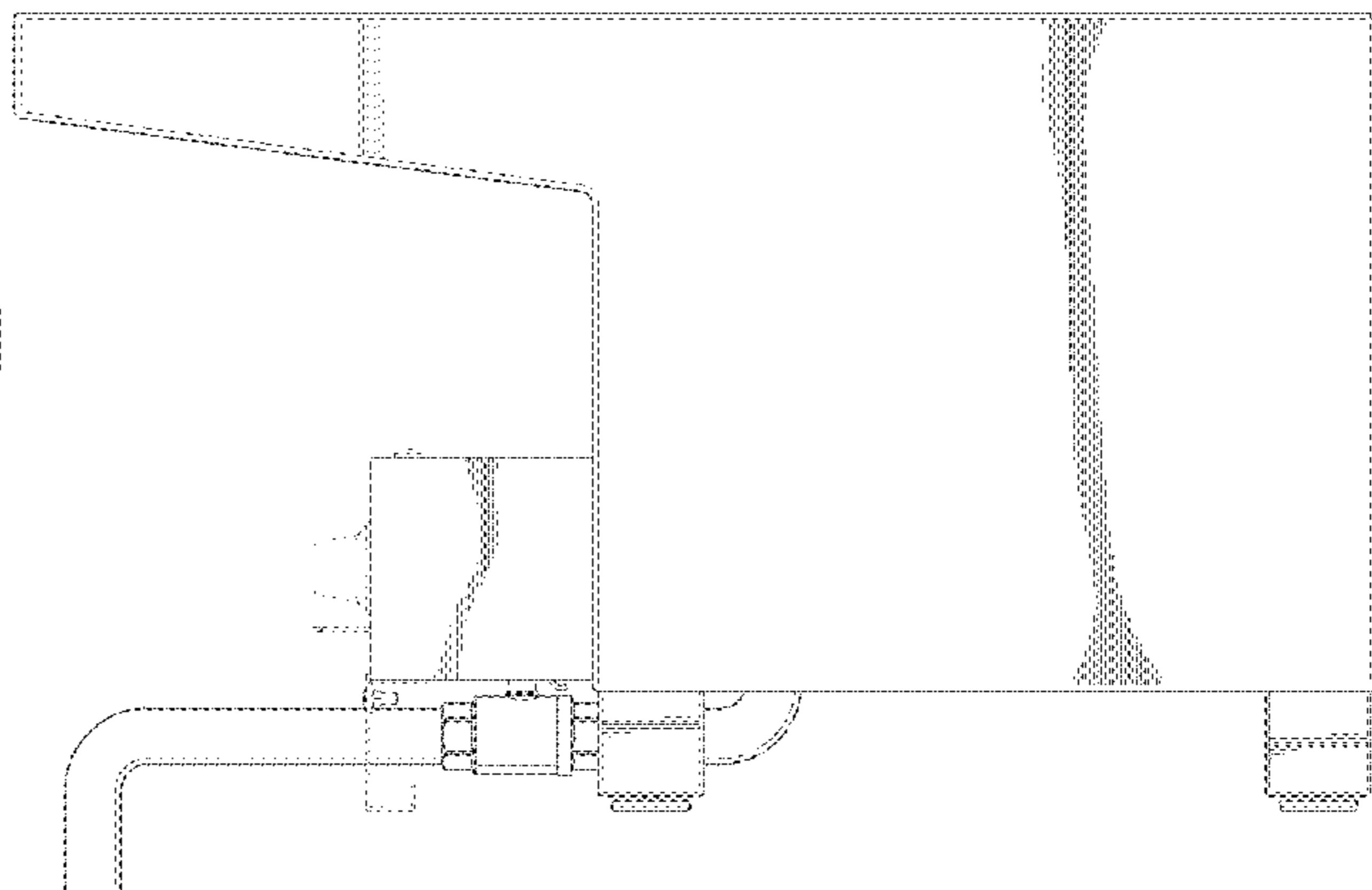
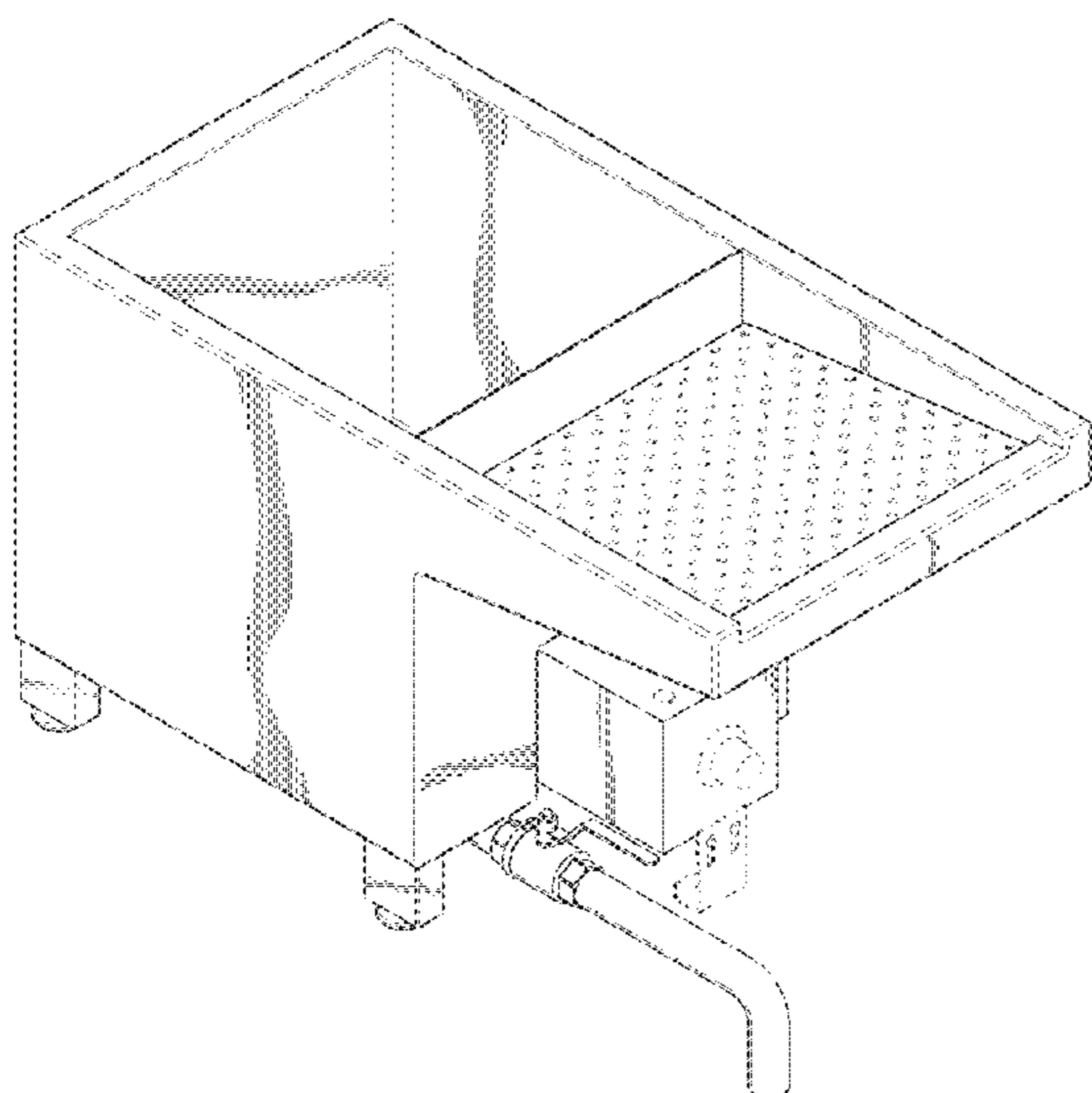
FIG. 6 is a top plan view of the deep oil fryer;

FIG. 7 is a bottom plan view of the deep oil fryer; and,

FIG. 8 is another perspective view of the deep oil fryer.

The broken lines in the drawings illustrate portions of the
deep oil fryer that form no part of the claimed design.

1 Claim, 8 Drawing Sheets



(56)

References Cited

U.S. PATENT DOCUMENTS

D428,562 S * 7/2000 Russett D7/339
 D428,563 S * 7/2000 Russett D7/350.4
 6,095,037 A 8/2000 Savage et al.
 6,171,630 B1 * 1/2001 Stanger A47J 27/04
 426/510
 6,196,118 B1 * 3/2001 Savage A47J 37/1247
 126/375.1
 D462,567 S * 9/2002 Smith D7/354
 7,141,764 B1 * 11/2006 Shumate A47J 37/1261
 219/430

 7,311,038 B2 12/2007 Savage et al.
 7,677,162 B2 3/2010 Shandross
 8,111,979 B2 2/2012 Feinberg et al.
 8,828,223 B2 9/2014 Savage et al.
 D796,894 S * 9/2017 Piret D7/354
 D877,555 S * 3/2020 McGinnis D7/354
 D883,011 S * 5/2020 Zhou D7/339
 D885,114 S * 5/2020 Zhou D7/339
 2002/0046657 A1 4/2002 Takahashi
 2007/0137497 A1 6/2007 Savage et al.
 2009/0095727 A1 * 4/2009 Majchrzak F24C 15/02
 219/385

 2009/0196968 A1 8/2009 Bratton et al.
 2011/0048248 A1 * 3/2011 Manson A47J 37/1276
 99/403
 2015/0101977 A1 * 4/2015 Germano A47J 27/18
 210/470

 2016/0345610 A1 12/2016 Backus
 2017/0095118 A1 4/2017 Loss et al.
 2020/0178733 A1 * 6/2020 Reichelderfer A47J 37/129

* cited by examiner

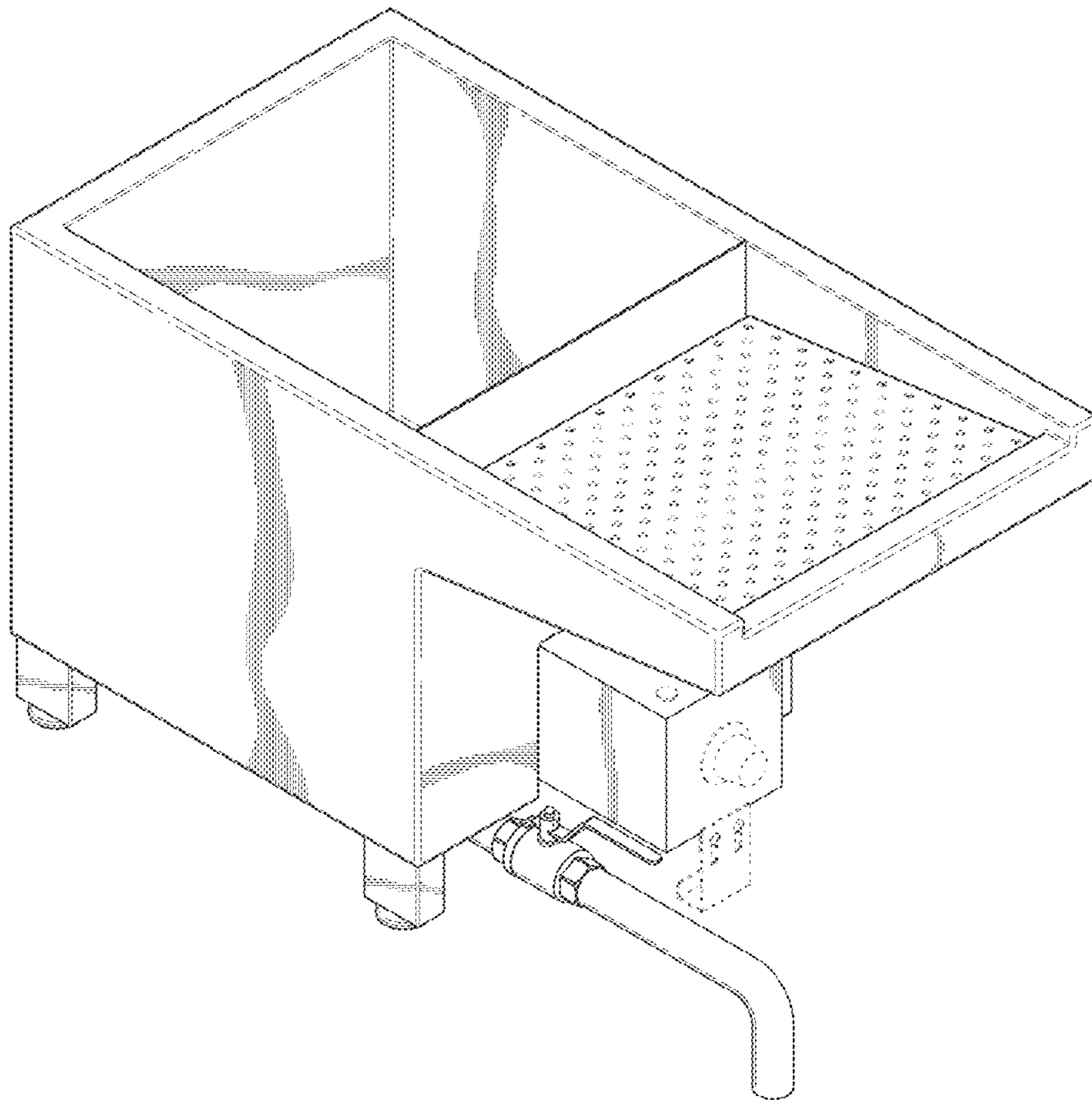


FIG. 1

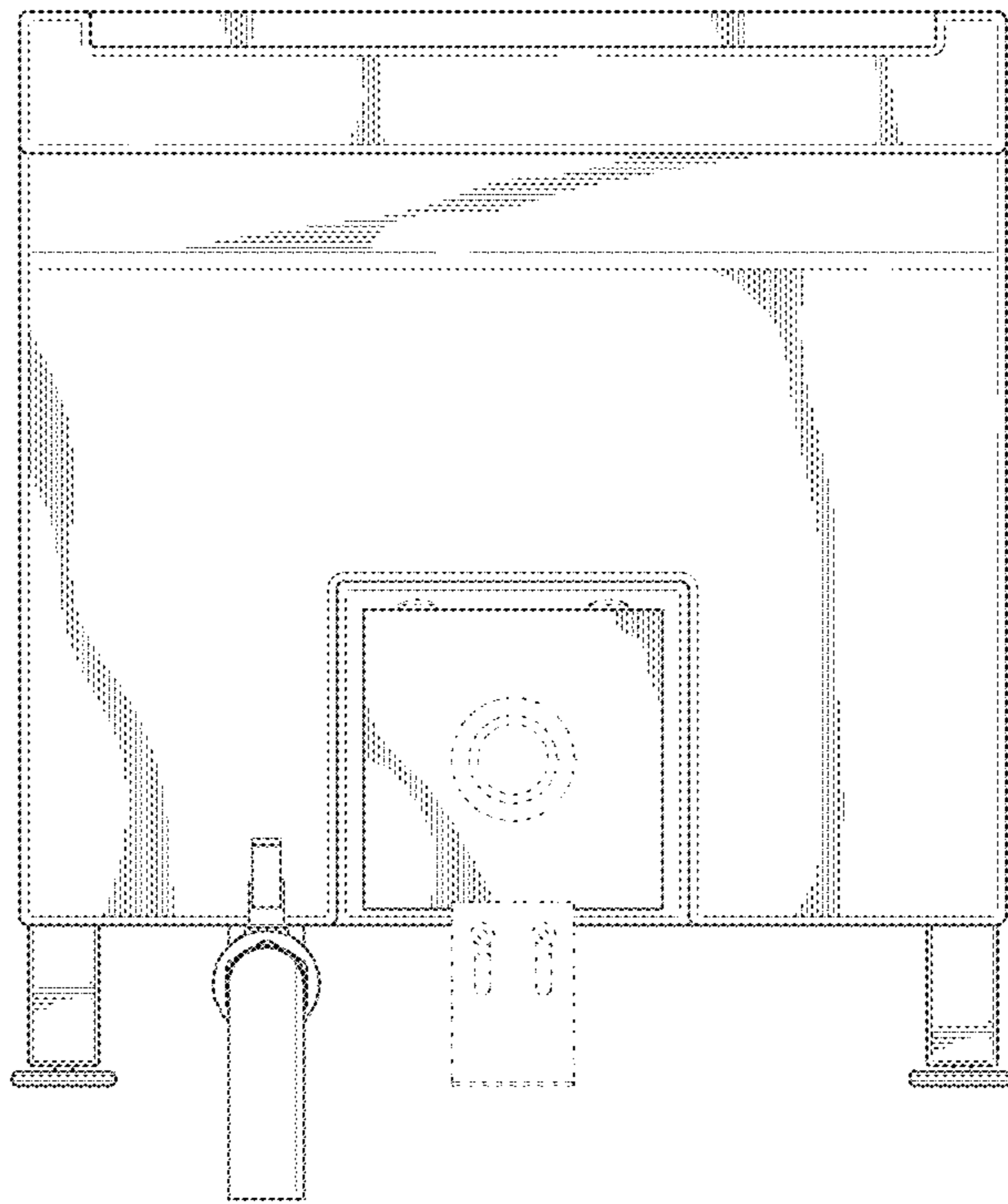


FIG. 2

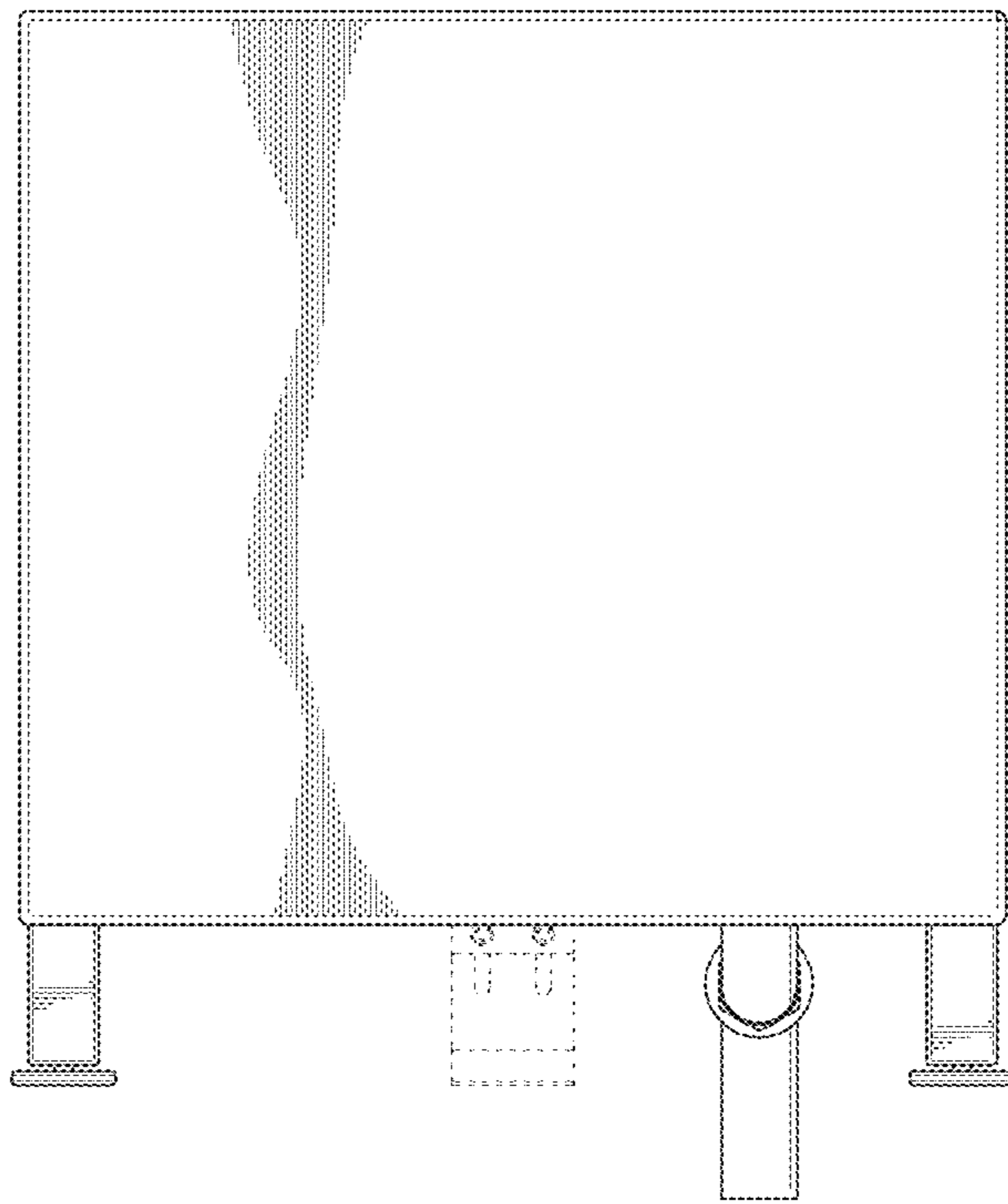


FIG. 3

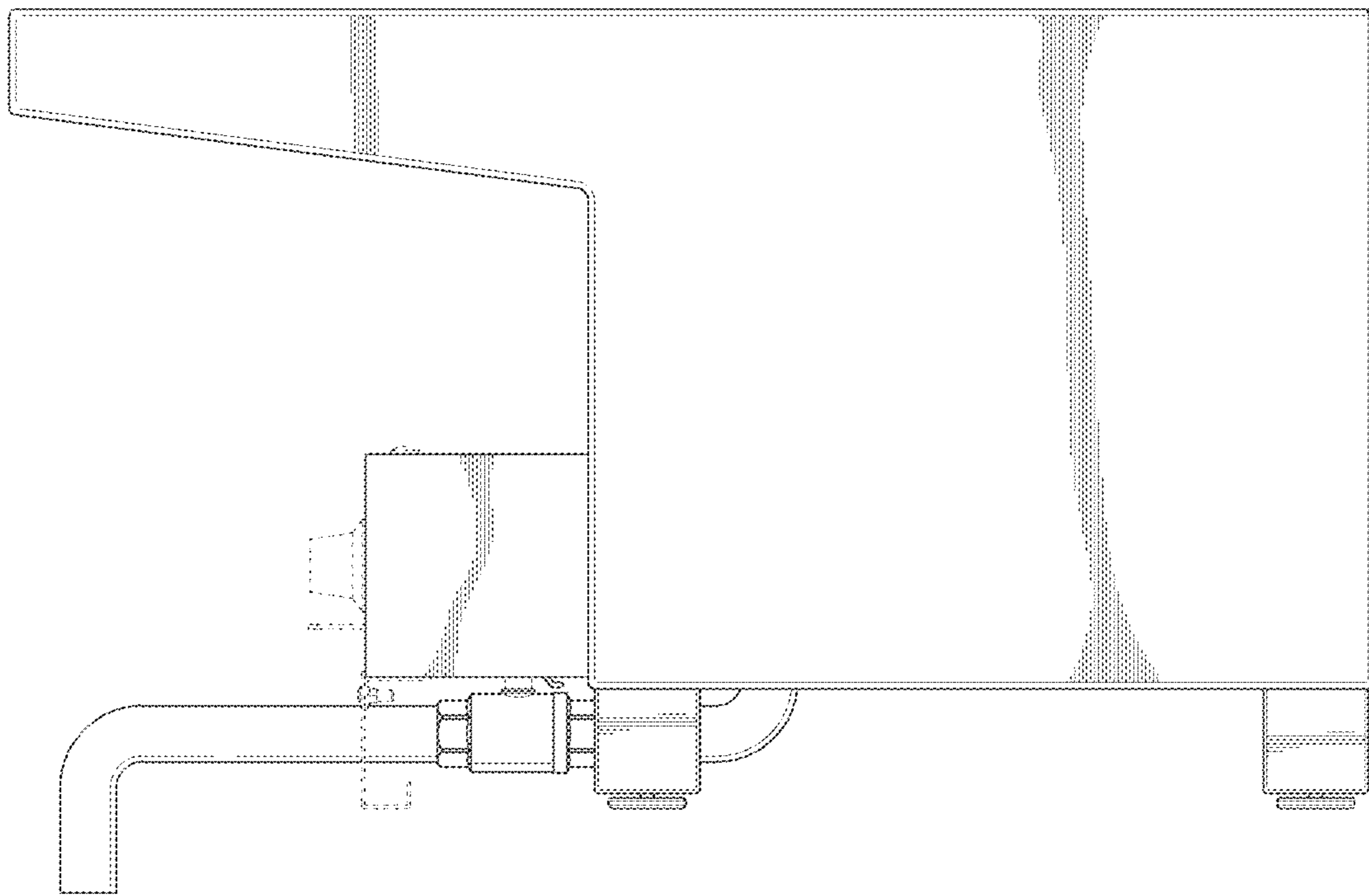


FIG. 4

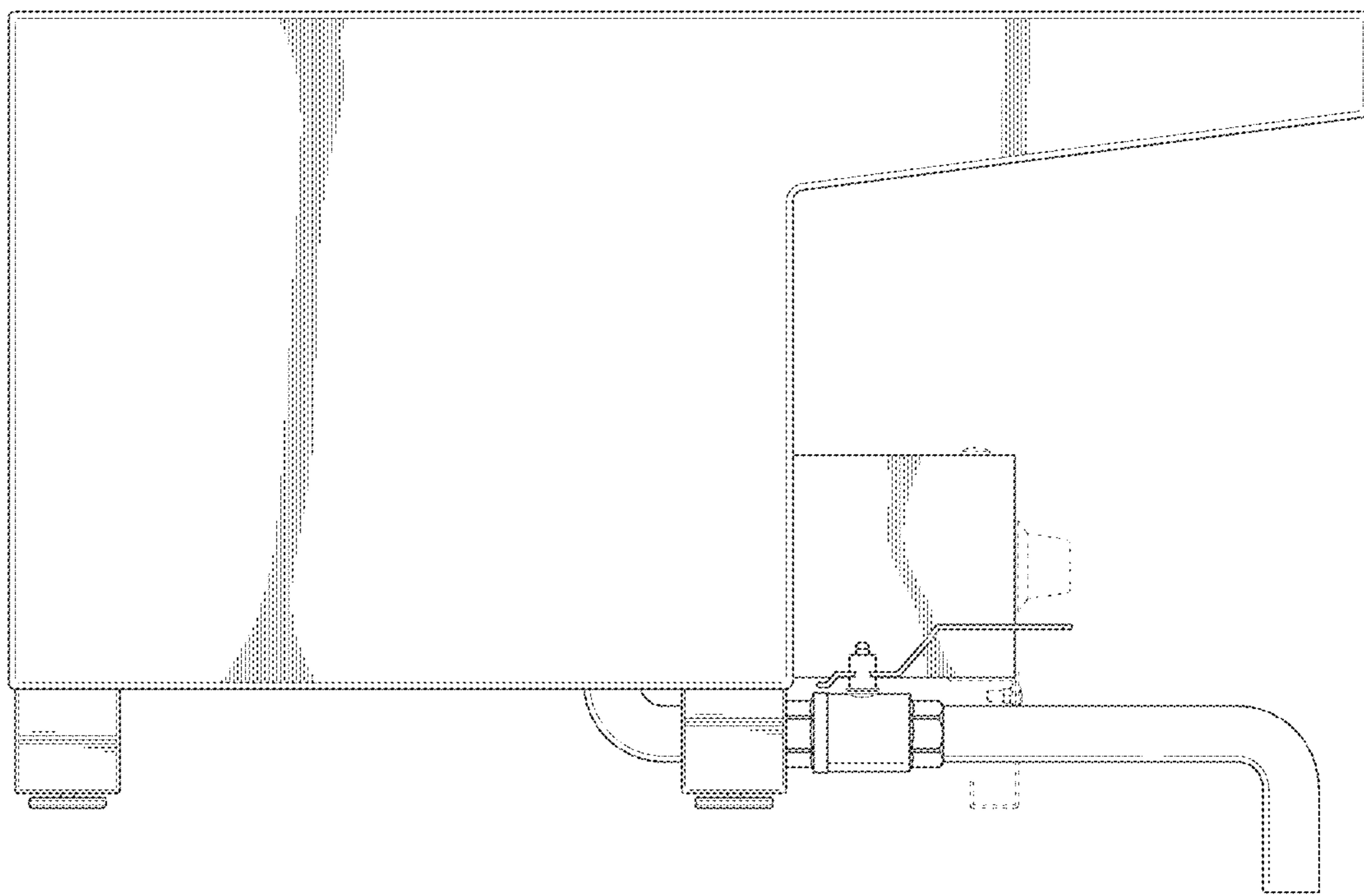


FIG. 5

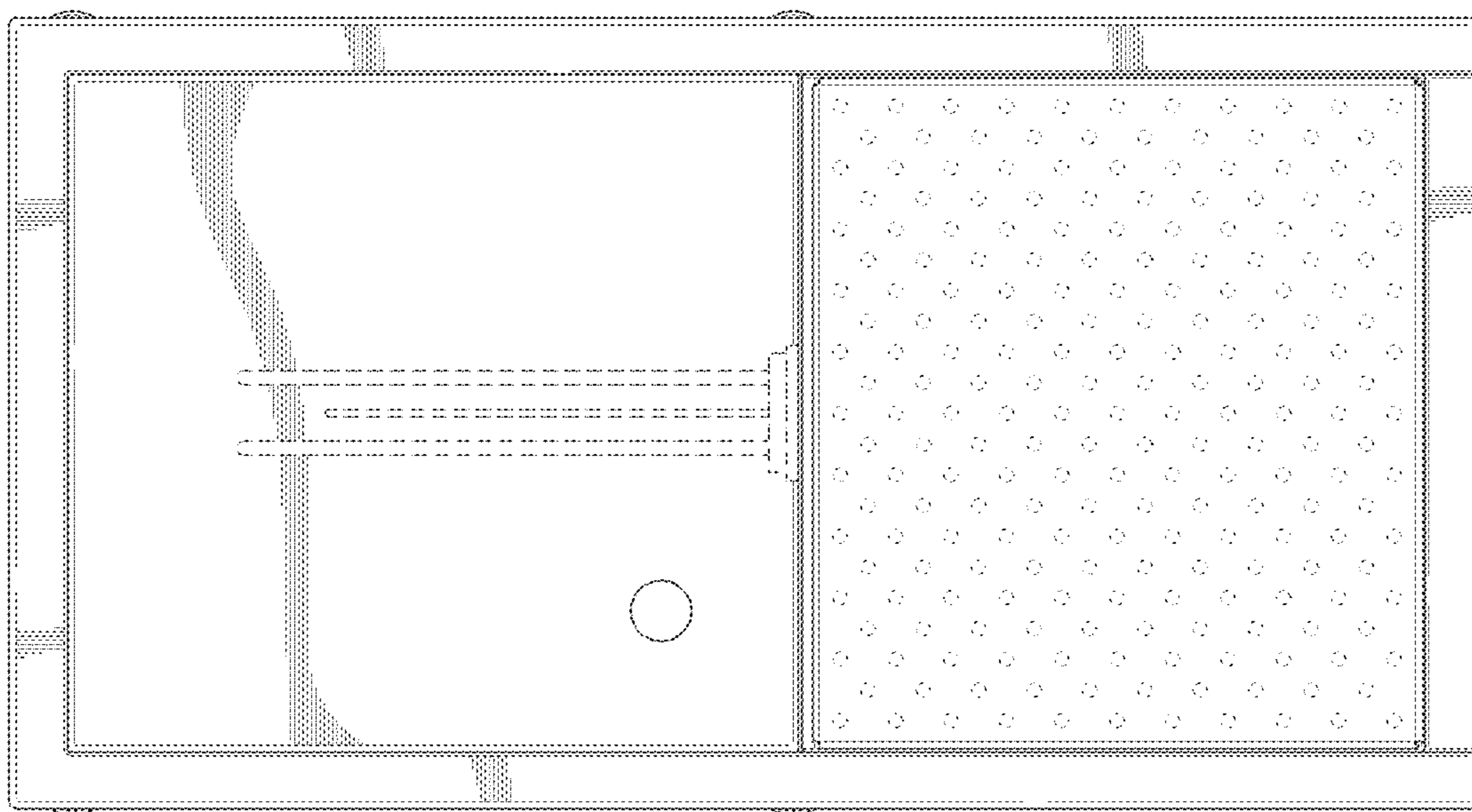


FIG. 6

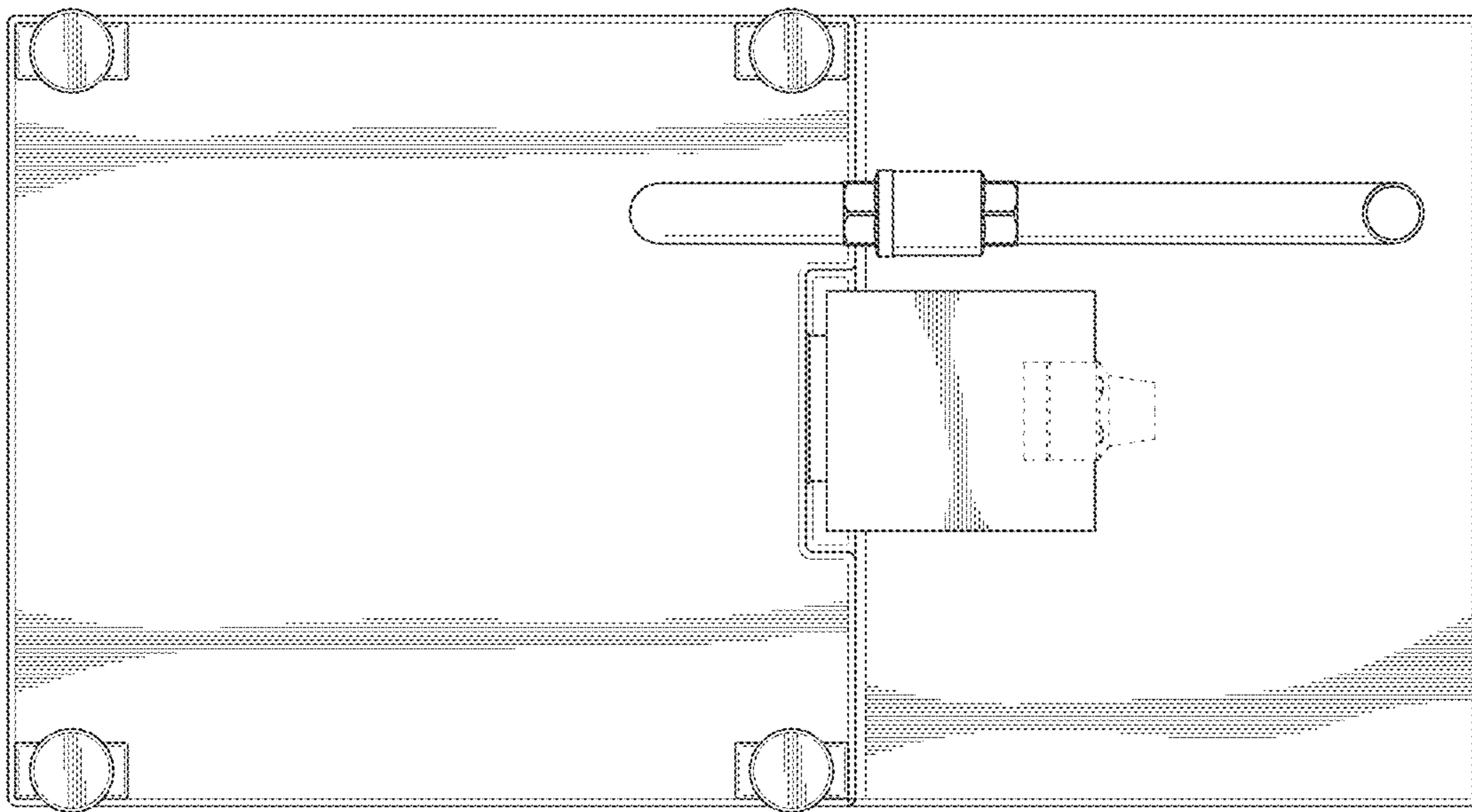


FIG. 7

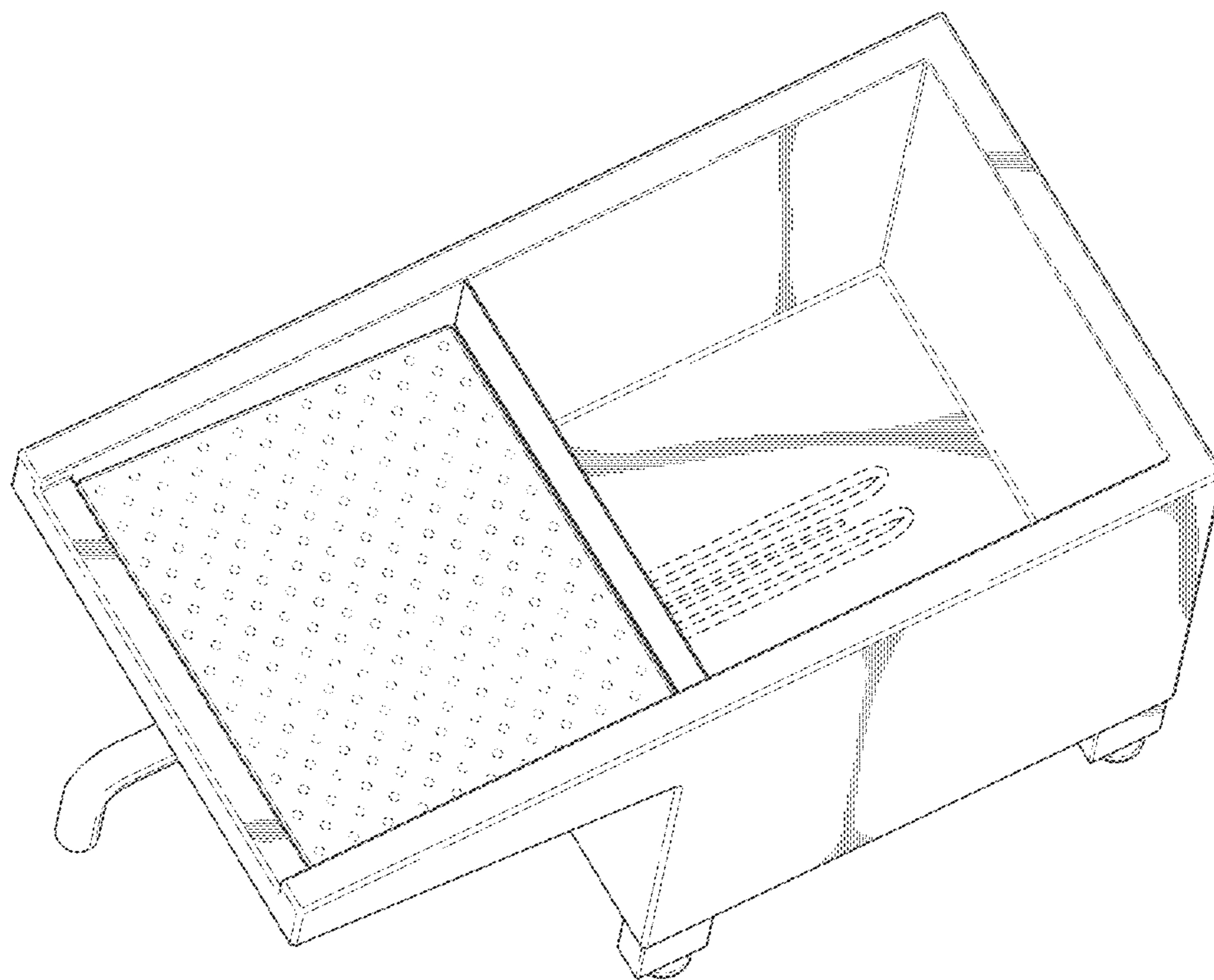


FIG. 8