



US00D920027S

(12) **United States Design Patent** (10) **Patent No.:** **US D920,027 S**  
**Harrell et al.** (45) **Date of Patent:** **\*\* May 25, 2021**

(54) **STOVE**

(71) Applicant: **Dometic Sweden AB**, Solna (SE)

(72) Inventors: **Dustin Harrell**, Goodlettsville, TN (US); **Samuele Meda**, Solna (SE); **Kristoffer Olsson**, Stockholm (SE)

(73) Assignee: **Dometic Sweden AB**, Solna (SE)

(\*\*) Term: **15 Years**

(21) Appl. No.: **29/744,797**

(22) Filed: **Jul. 31, 2020**

**Related U.S. Application Data**

(60) Continuation of application No. 29/690,324, filed on May 7, 2019, now Pat. No. Des. 896,018, which is a division of application No. 29/627,084, filed on Nov. 22, 2017, now Pat. No. Des. 874,209.

(51) **LOC (13) Cl.** ..... **07-02**

(52) **U.S. Cl.**  
USPC ..... **D7/346**; D7/339; D7/340

(58) **Field of Classification Search**  
USPC ..... D7/323, 328-330, 332-337, 339-349, D7/362, 402-409; D8/300-306  
CPC .. A21B 2/00; A23B 4/052; A47J 37/00; A47J 37/06; A47J 37/0611; A47J 37/07; A47J 37/079; A47J 37/0704; A47J 37/08; A47J 37/0807; A47J 37/0814; A47J 37/0835; A47J 37/0842; A47J 37/085; A47J 37/0864; A47J 37/0878; A47J 37/0885; A47J 37/0892; A47J 2037/0777; F24C 3/002; F24C 3/08; F24C 3/14; F24C 7/00; F24C 7/002; F24C 7/046; F24C 7/067; F24C 15/02; F24C 15/04; F24C 15/10; F24C 15/28; F24C 15/102; F24C 15/107

See application file for complete search history.

(56) **References Cited**

**U.S. PATENT DOCUMENTS**

3,142,295 A 7/1964 Blee  
5,119,802 A 6/1992 Cherry et al.  
D343,336 S 1/1994 Falk  
D369,062 S 4/1996 Holbrook, Jr.  
D392,502 S 3/1998 Ashcraft et al.  
D393,774 S 4/1998 Ashcraft et al.  
5,931,151 A 8/1999 Van Dore et al.  
6,257,228 B1 7/2001 Braccini

(Continued)

**FOREIGN PATENT DOCUMENTS**

CN 304863114 S 10/2018

**OTHER PUBLICATIONS**

Dometic 2016 Product Catalogue, Cooking, pp. 95-96. Nov. 18, 2015.

(Continued)

*Primary Examiner* — Ricky Pham

(74) *Attorney, Agent, or Firm* — Middleton Reutlinger

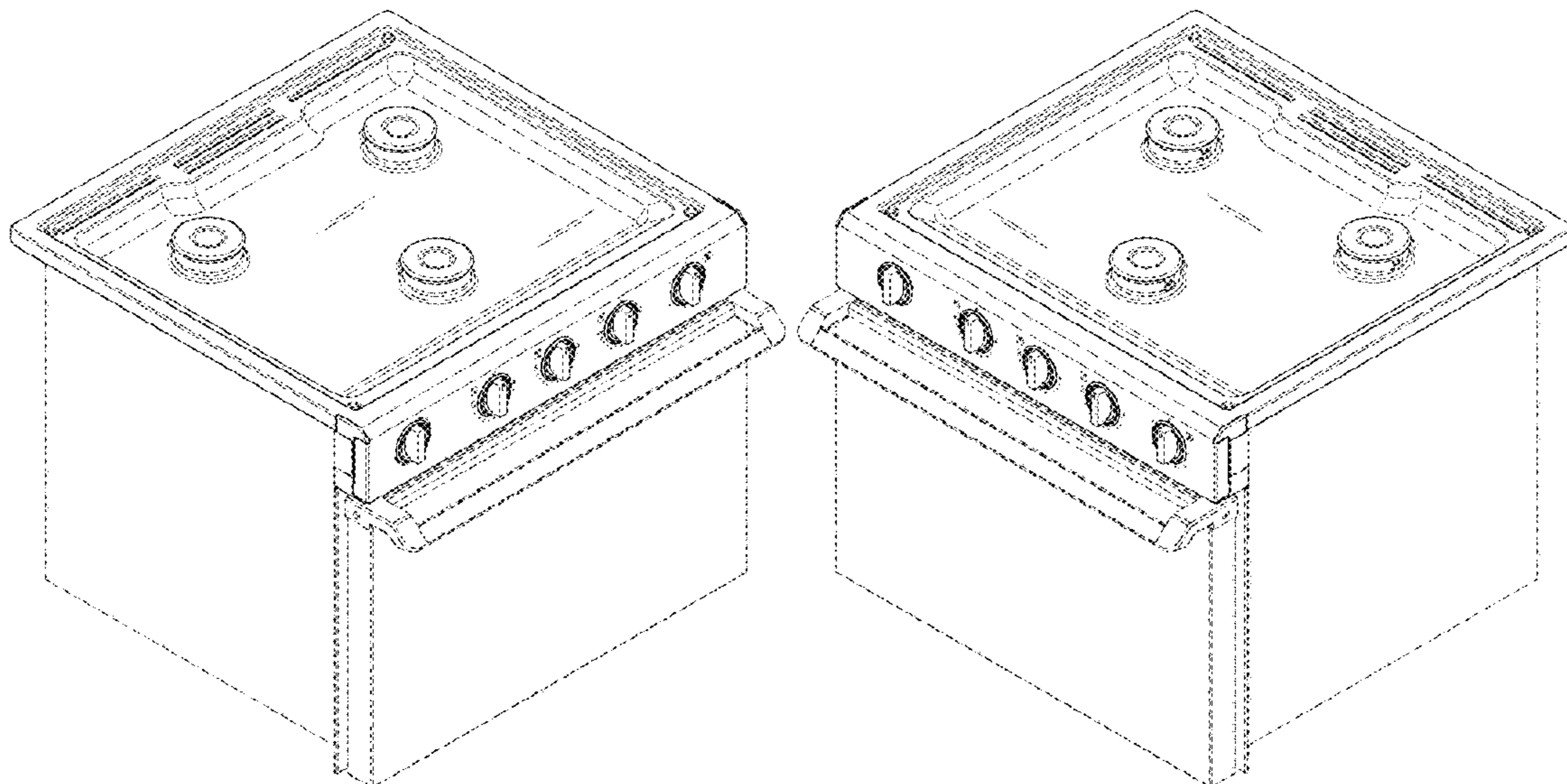
(57) **CLAIM**

The ornamental design for a stove, as shown and described.

**DESCRIPTION**

FIG. 1 is a first upper perspective view of a stove design; FIG. 2 is a second upper perspective view of the stove design of FIG. 1; FIG. 3 is a front view of the stove design of FIG. 1; FIG. 4 is a top view of the stove design of FIG. 1; FIG. 5 is a first side view of the stove design of FIG. 1; and, FIG. 6 is a second side view of the stove design of FIG. 1. The broken line disclosure represents unclaimed portions or unclaimed boundaries of the stove in which the design is embodied.

**1 Claim, 6 Drawing Sheets**



(56)

References Cited

U.S. PATENT DOCUMENTS

D479,781 S 9/2003 Pottenger et al.  
 D479,942 S 9/2003 Pottenger et al.  
 D480,261 S 10/2003 Pottenger et al.  
 D495,202 S 8/2004 Becker et al.  
 D510,227 S 10/2005 Baldwin  
 D524,601 S 7/2006 Vetter  
 D538,581 S 3/2007 Lee  
 D564,838 S 3/2008 Shin et al.  
 D580,225 S 11/2008 Geiger et al.  
 D599,608 S 9/2009 Grumm et al.  
 D622,537 S 8/2010 Kim  
 D628,017 S 11/2010 Funnell et al.  
 D628,431 S 12/2010 Funnell et al.  
 D629,638 S 12/2010 Funnell et al.  
 D634,579 S 3/2011 Funnell et al.  
 D642,418 S \* 8/2011 Kim ..... D7/340  
 D684,424 S 6/2013 Funnell et al.  
 D722,818 S 2/2015 Pionek et al.  
 D722,820 S 2/2015 Pionek et al.  
 D724,382 S 3/2015 Pionek et al.  
 D731,845 S 6/2015 Kim et al.  
 D736,553 S \* 8/2015 Funnell, II ..... D7/339  
 D752,386 S 3/2016 Pionek et al.  
 D755,009 S 5/2016 Kim  
 D763,616 S 8/2016 Kim  
 D765,459 S 9/2016 Shoemaker et al.  
 D771,437 S 11/2016 Segers et al.  
 D773,232 S \* 12/2016 Shoemaker ..... D7/339  
 D778,111 S 2/2017 Shoemaker et al.  
 D779,262 S 2/2017 Kim  
 D781,648 S 3/2017 Shoemaker  
 D786,609 S 5/2017 Cho et al.  
 D787,255 S 5/2017 Cho et al.  
 D798,108 S 9/2017 Shoemaker et al.  
 D798,662 S 10/2017 Shoemaker et al.  
 D804,245 S 12/2017 Segers et al.  
 D808,707 S 1/2018 Kim et al.  
 D810,493 S 2/2018 Harrell et al.  
 D811,165 S 2/2018 Sadtler  
 D812,415 S 3/2018 Best et al.  
 D812,958 S 3/2018 Kim et al.  
 D812,959 S 3/2018 Kim  
 D816,386 S 5/2018 Kim  
 D817,066 S 5/2018 Shoemaker  
 D817,685 S 5/2018 Incukur  
 D817,691 S 5/2018 Kim et al.  
 D821,802 S 7/2018 Jeon et al.  
 D829,482 S 10/2018 Incukur  
 D835,932 S \* 12/2018 Incukur ..... D7/340  
 D839,038 S 1/2019 Bell  
 D840,738 S 2/2019 Chung et al.  
 D843,159 S 3/2019 Kim et al.  
 D846,944 S 4/2019 Incukur  
 D851,439 S 6/2019 Harrell et al.  
 D851,978 S 6/2019 Bell  
 D851,979 S 6/2019 Bell  
 D855,379 S 8/2019 Kim et al.  
 D857,452 S 8/2019 Sadtler  
 D859,054 S 9/2019 Kim et al.  
 D863,882 S \* 10/2019 Kim ..... D7/405

D872,516 S 1/2020 Bell  
 D873,062 S 1/2020 Bell  
 10,527,292 B2 1/2020 Bell  
 D874,209 S 2/2020 Harrell  
 D874,220 S 2/2020 Kim et al.  
 D874,865 S 2/2020 Lim et al.  
 D893,238 S \* 8/2020 Bell ..... D7/346  
 D894,663 S \* 9/2020 Harrell ..... D7/346  
 D896,018 S \* 9/2020 Harrell ..... D7/346  
 2011/0120446 A1 \* 5/2011 Simms ..... F24C 3/08  
 126/39 E  
 2019/0154264 A1 \* 5/2019 Harrell ..... F24C 3/002  
 2019/0383497 A1 \* 12/2019 Cowan ..... F24C 15/107

OTHER PUBLICATIONS

Design U.S. Appl. No. 29/627,123, filed Nov. 22, 2017 entitled "Stove".  
 Design U.S. Appl. No. 29/627,084, filed Nov. 22, 2017 entitled "Stove".  
 U.S. Appl. No. 62/589,769, filed Nov. 22, 2017 entitled "Stove".  
 Design U.S. Appl. No. 29/633,001, filed Jan. 11, 2018 entitled "Cooktop Cover".  
 Chinese Patent Application No. 201830234902.0 filed May 21, 2018 entitled "Stove".  
 Restriction Requirement mailed in Design U.S. Appl. No. 29/627,085 dated Oct. 31, 2018.  
 Notice of Allowance mailed in Design U.S. Appl. No. 29/627,085 dated Jan. 24, 2019.  
 Notice of Allowance mailed in Design U.S. Appl. No. 29/627,084 dated Jul. 15, 2019.  
 Design U.S. Appl. No. 29/715,462, filed Dec. 2, 2019 entitled "Stove Grate".  
 Design U.S. Appl. No. 29/690,322, filed May 7, 2019 entitled "Stove".  
 Chinese Patent Application No. 201830235110.5 filed May 21, 2018 entitled "Stove Grate".  
 Notice of Allowance issued in Design U.S. Appl. No. 29/627,084 dated Oct. 2, 2019.  
 Chinese Patent Application No. 201830235109.2 filed May 21, 2018 entitled "Stove".  
 Restriction Requirement mailed in Design U.S. Appl. No. 29/627,123 dated Oct. 15, 2019.  
 Non Final Office Action issued in U.S. Appl. No. 16/196,430 dated Apr. 3, 2020.  
 Notice of Allowance issued in Design U.S. Appl. No. 29/627,123 dated Apr. 7, 2020.  
 Notice of Allowance issued in Design U.S. Appl. No. 29/690,322 dated Apr. 15, 2020.  
 Notice of Allowance issued in Design U.S. Appl. No. 29/627,123 dated May 11, 2020.  
 Notice of Allowance issued in Design U.S. Appl. No. 29/690,322 dated May 8, 2020.  
 Notice of Allowance issued in Design U.S. Appl. No. 29/715,462 dated Mar. 3, 2021.  
 Corrected Notice of Allowance issued in U.S. Appl. No. 29/715,462 dated Mar. 30, 2021.  
 Notice of Allowance issued in U.S. Appl. No. 16/196,430 dated Feb. 4, 2021.

\* cited by examiner

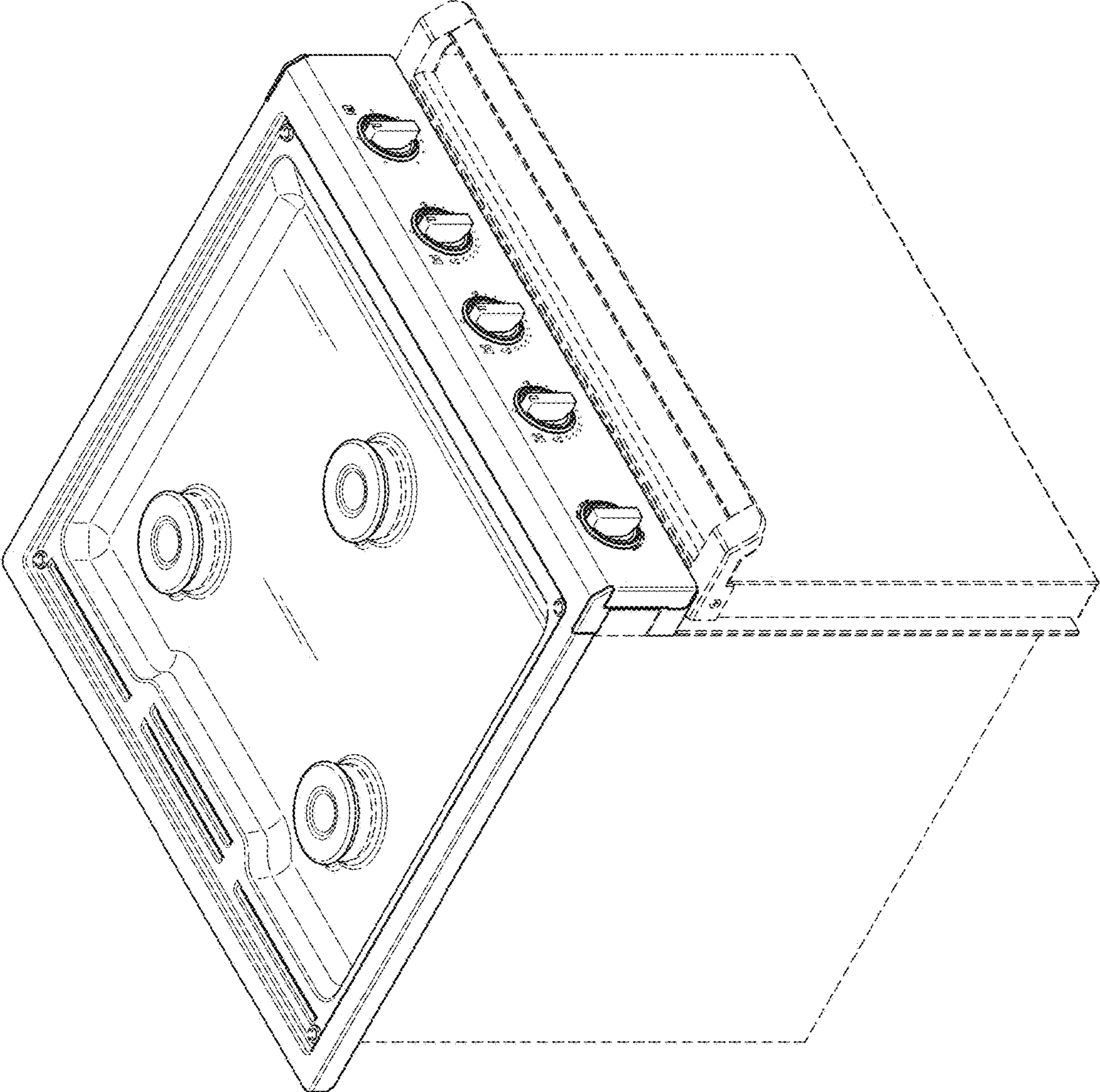


FIG. 1

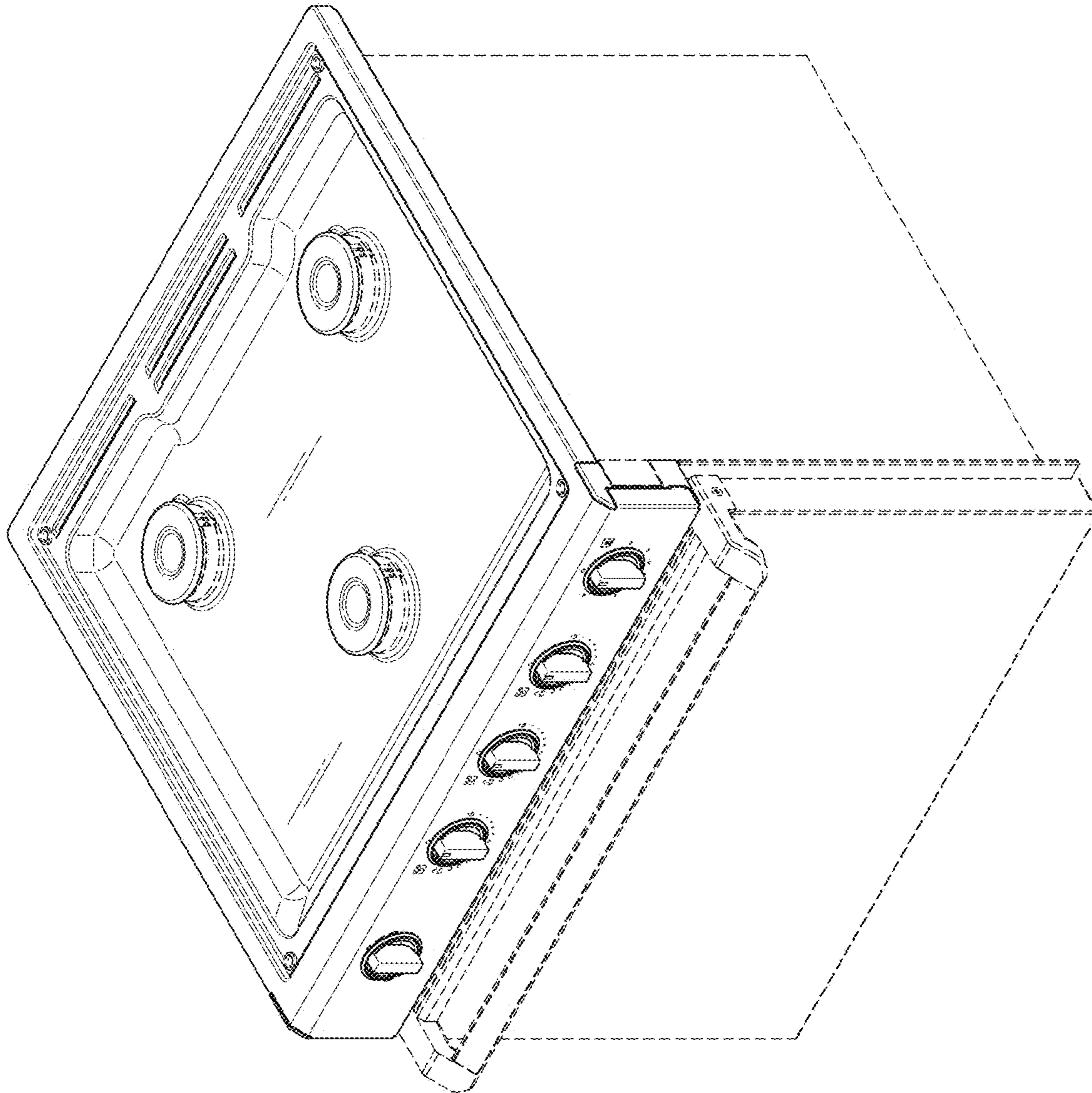


FIG. 2

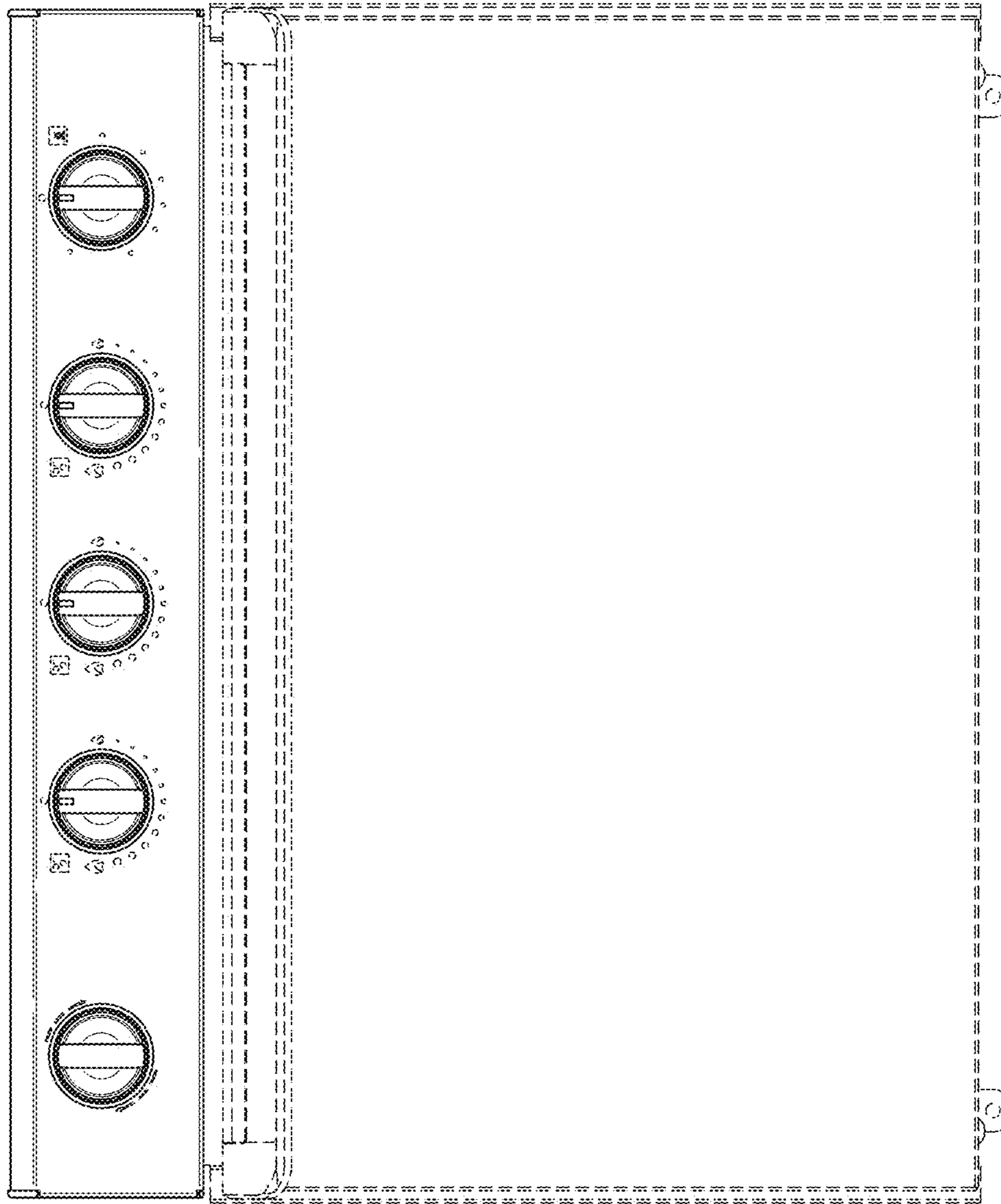


FIG. 3

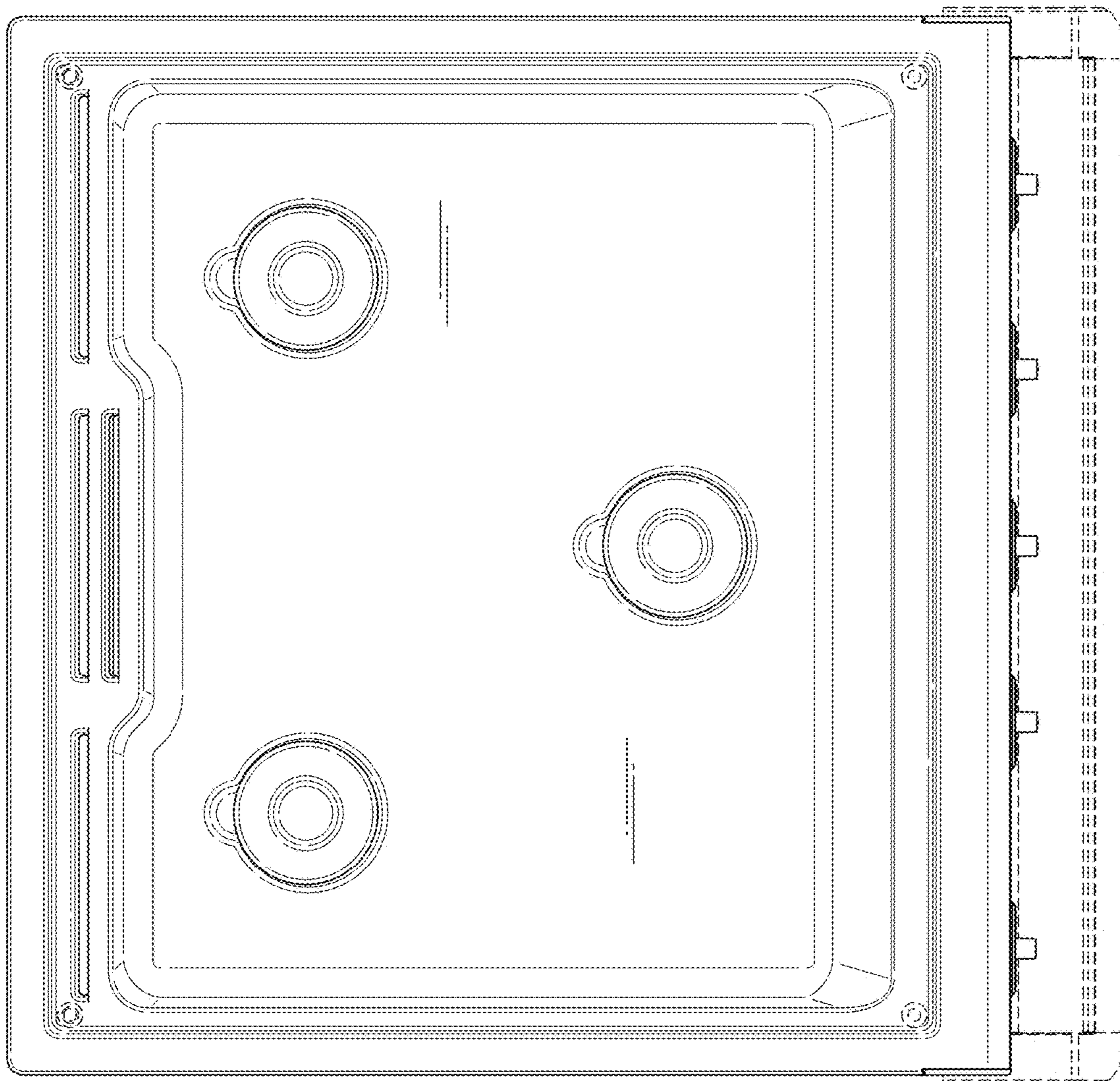


FIG. 4

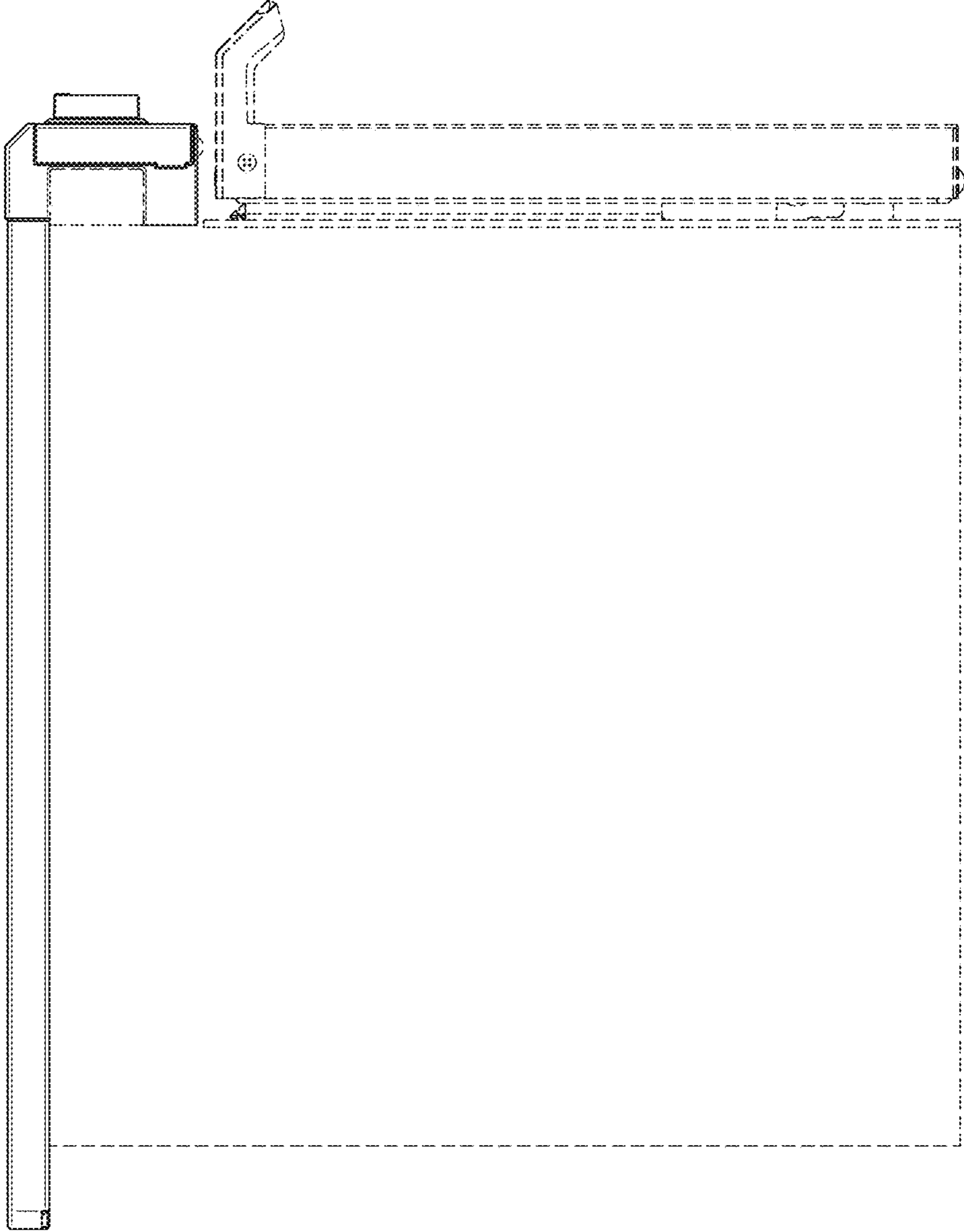


FIG. 5

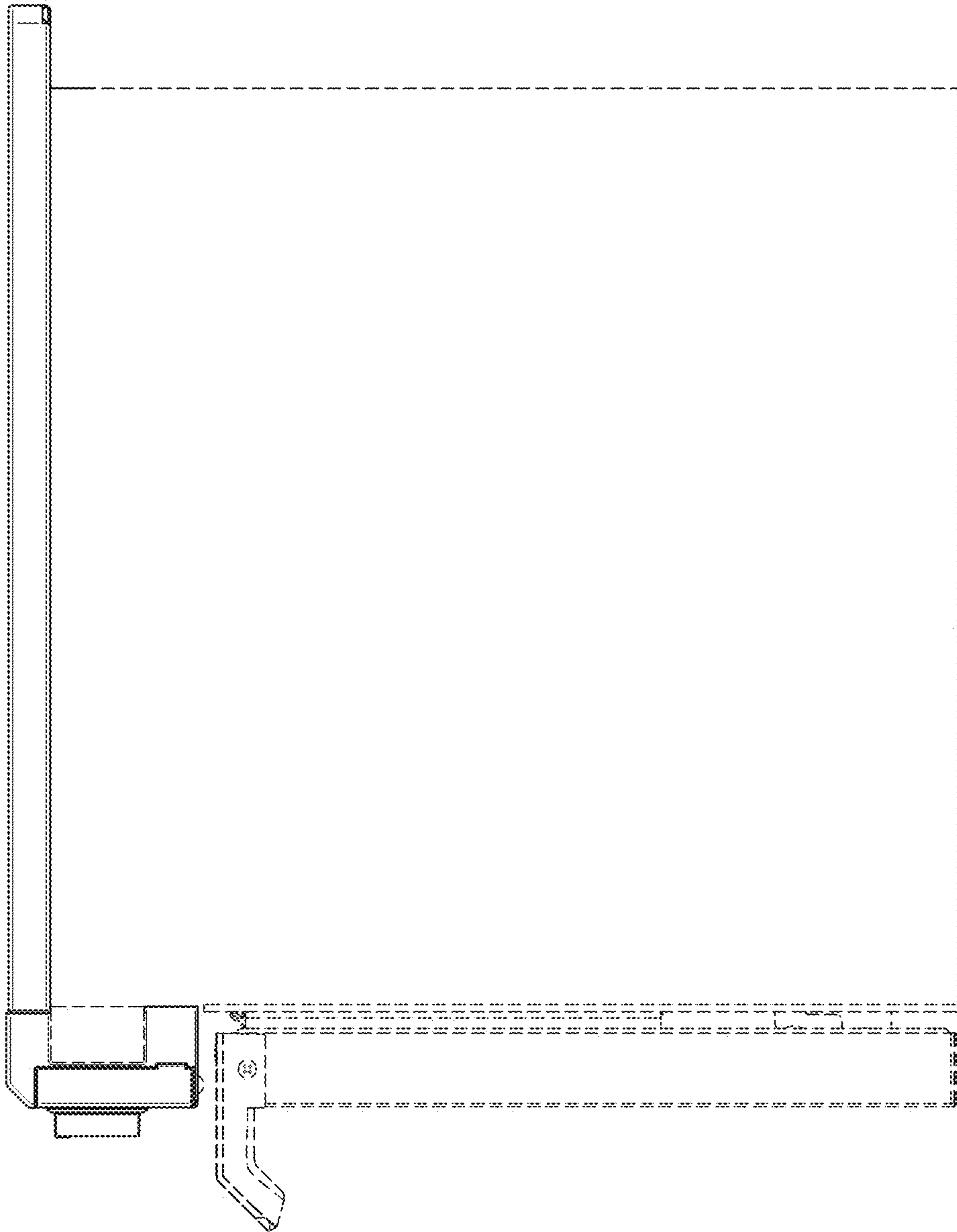


FIG. 6