



US00D920025S

(12) **United States Design Patent**  
**Wang**

(10) **Patent No.:** **US D920,025 S**

(45) **Date of Patent:** **\*\* May 25, 2021**

(54) **HAMMOCK STAND**

(71) Applicants: **Xiaoxia Wang**, Yongtai (CN); **Liming Yan**, Yongtai (CN)

(72) Inventor: **Xiaoxia Wang**, Yongtai (CN)

(\*\*) Term: **15 Years**

(21) Appl. No.: **29/762,317**

(22) Filed: **Dec. 16, 2020**

(51) **LOC (13) Cl.** ..... **06-06**

(52) **U.S. Cl.**

USPC ..... **D6/718.12**

(58) **Field of Classification Search**

USPC ..... D6/347, 385, 386, 387, 718.1, 718.11, D6/718.12

CPC ..... A45F 3/22; A45F 3/24; A45F 3/26; A63G 9/00; A63G 9/02; A63G 9/12

See application file for complete search history.

(56) **References Cited**

**U.S. PATENT DOCUMENTS**

D32,902 S *	7/1900	Marchand, Jr. ....	D6/718.26
D295,242 S *	4/1988	Frick .....	D6/387
5,297,302 A *	3/1994	Anderson .....	A45F 3/24
			403/174
5,392,476 A *	2/1995	Williams .....	A45F 3/24
			248/166
6,711,764 B1 *	3/2004	Mauze, Jr. ....	A45F 3/24
			5/120
D601,826 S	10/2009	Branch	

D625,933 S *	10/2010	Grunewald .....	D6/718.12
7,996,935 B1 *	8/2011	Chen .....	A45F 3/22
			5/127

D682,000 S	5/2013	Nguyen et al.	
D683,995 S	6/2013	Logothetis	
D688,062 S	8/2013	Nguyen et al.	
D763,593 S	8/2016	Butynski	
D809,844 S	2/2018	Huang	
10,842,247 B2 *	11/2020	Wilke .....	A45F 3/24

\* cited by examiner

*Primary Examiner* — Mimoso De

(74) *Attorney, Agent, or Firm* — Rमित Ranjit Kanakia

(57) **CLAIM**

I claim the ornamental design for a hammock stand, as shown and described.

**DESCRIPTION**

FIG. 1 is a Perspective view of a hammock stand showing my new design;

FIG. 2 is a Front view thereof;

FIG. 3 is a Back view thereof;

FIG. 4 is a Right-side view thereof;

FIG. 5 is a Left-side view thereof;

FIG. 6 is a Top view thereof;

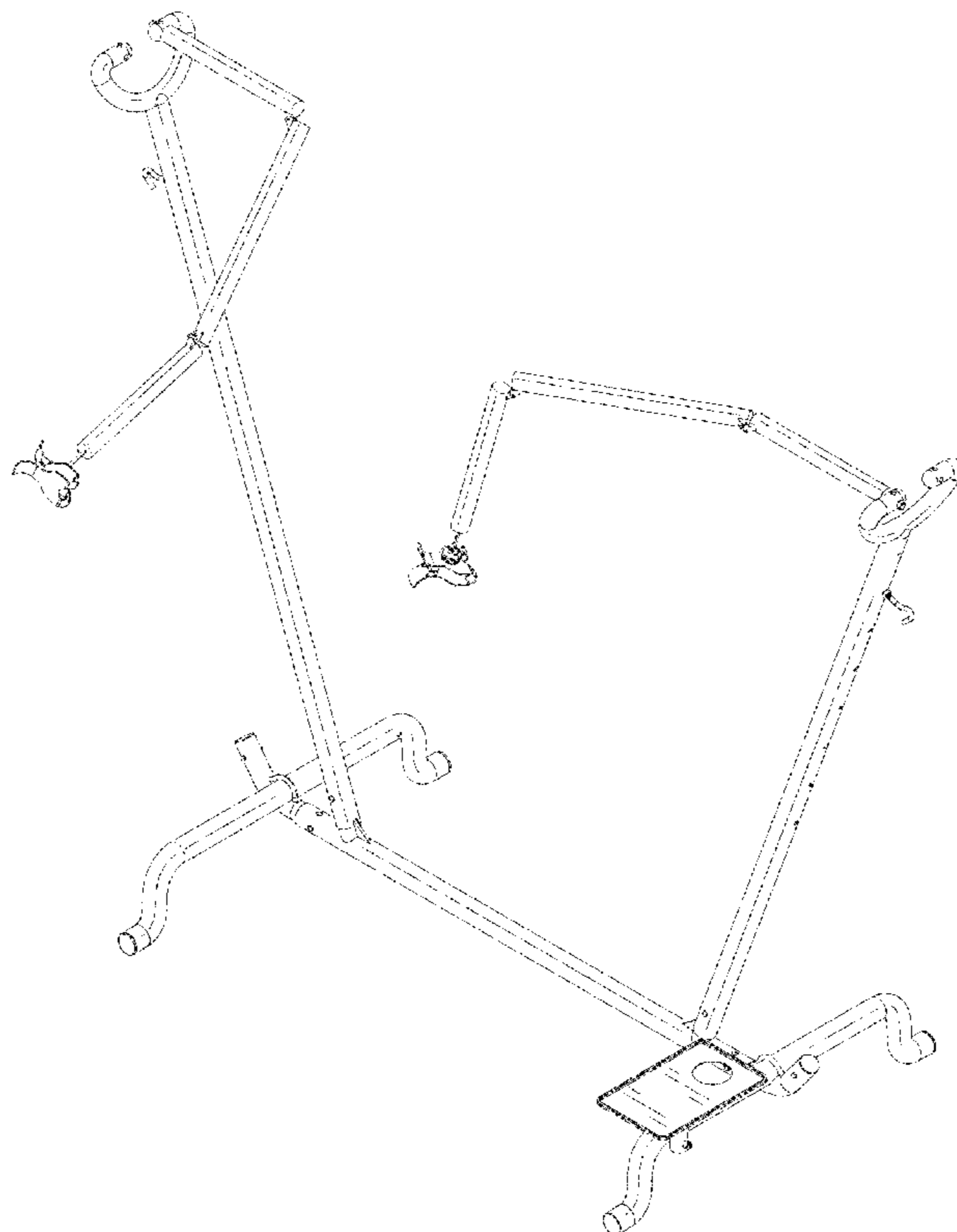
FIG. 7 is a Bottom view thereof;

FIG. 8 is other Perspective view thereof; and,

FIG. 9 is a Perspective view hammock stand showing in a little moved position.

FIG. 8 is shown without adjustable stand portion for ease of illustration.

**1 Claim, 9 Drawing Sheets**



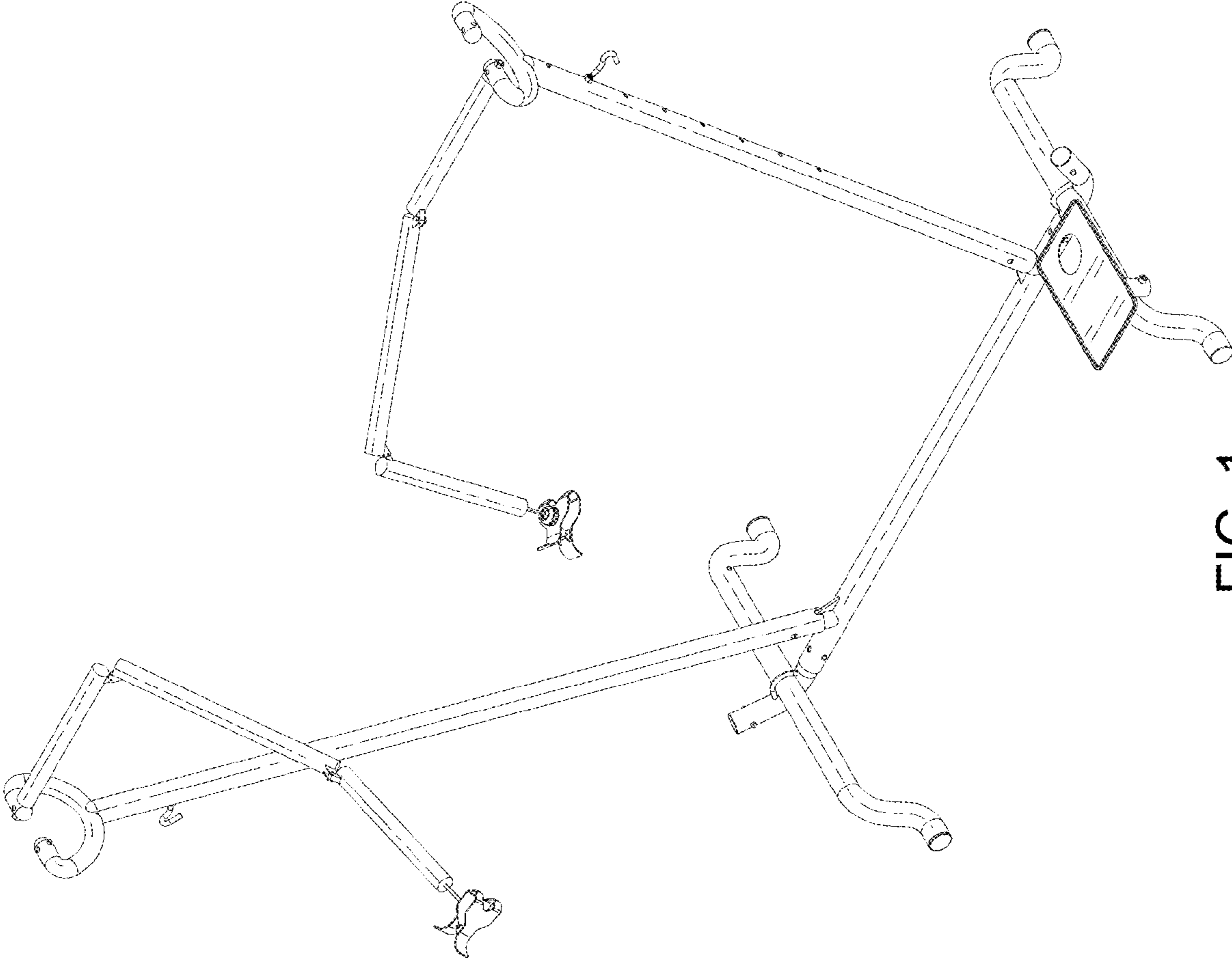


FIG. 1

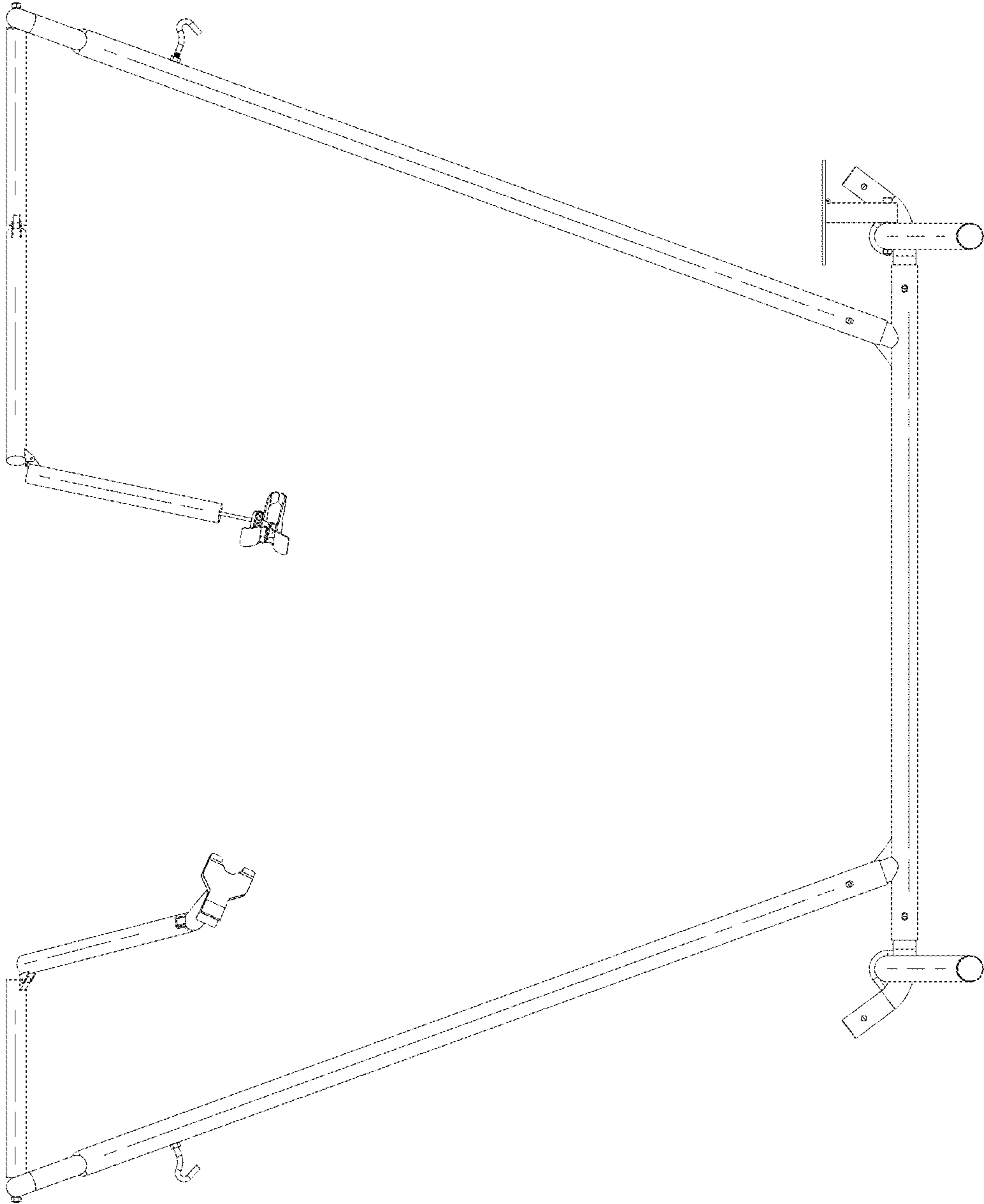


FIG. 2

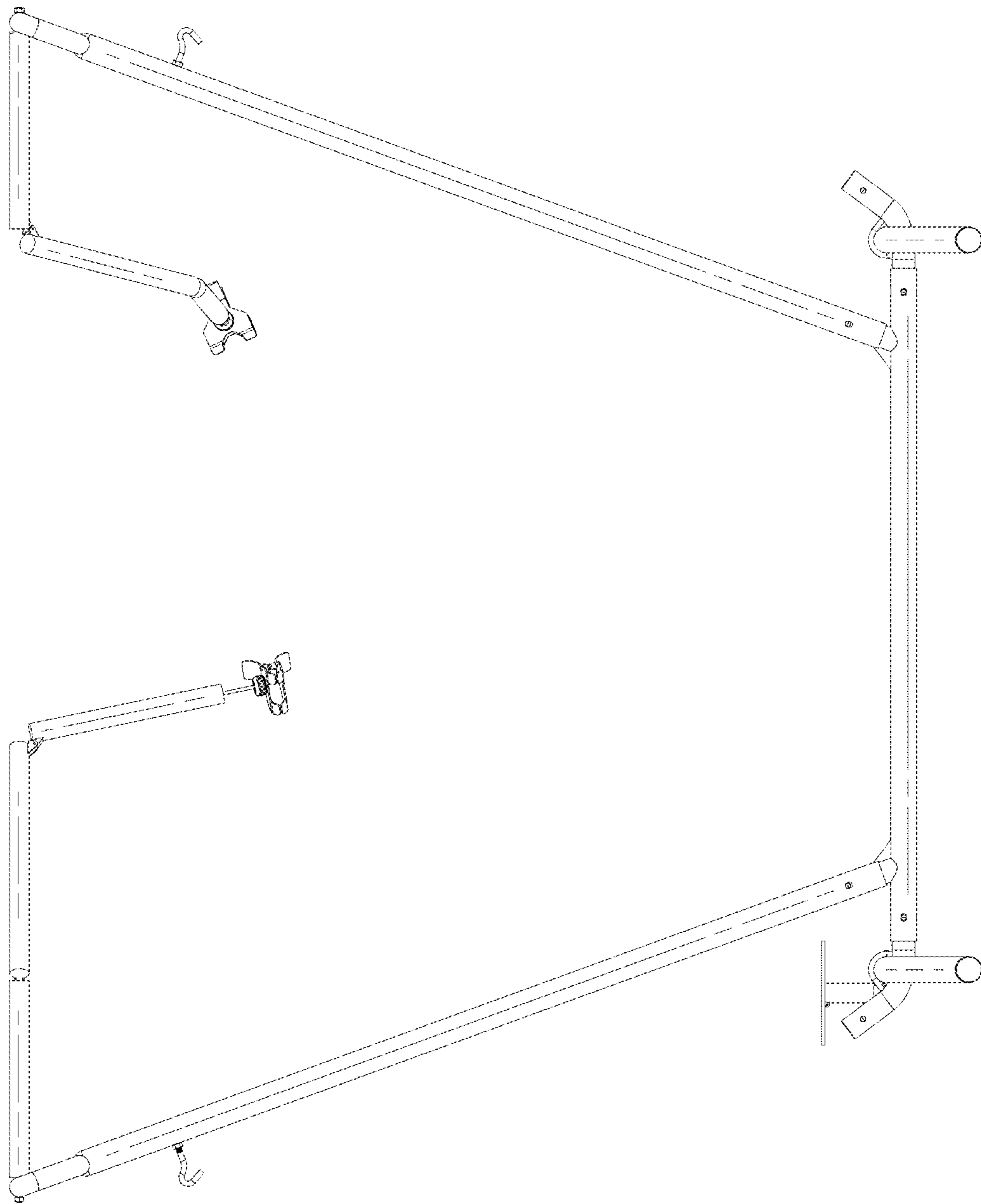


FIG. 3

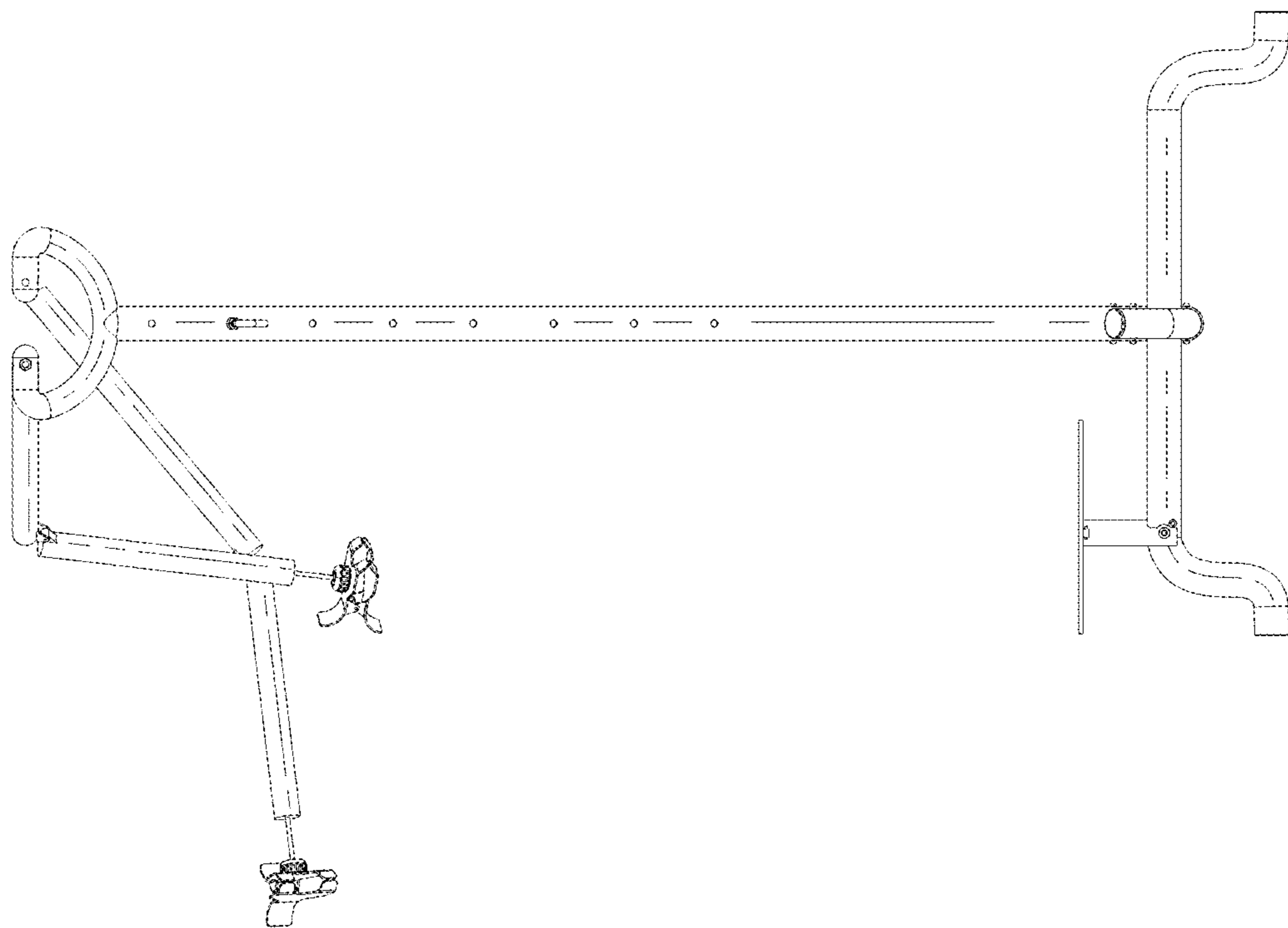


FIG. 4

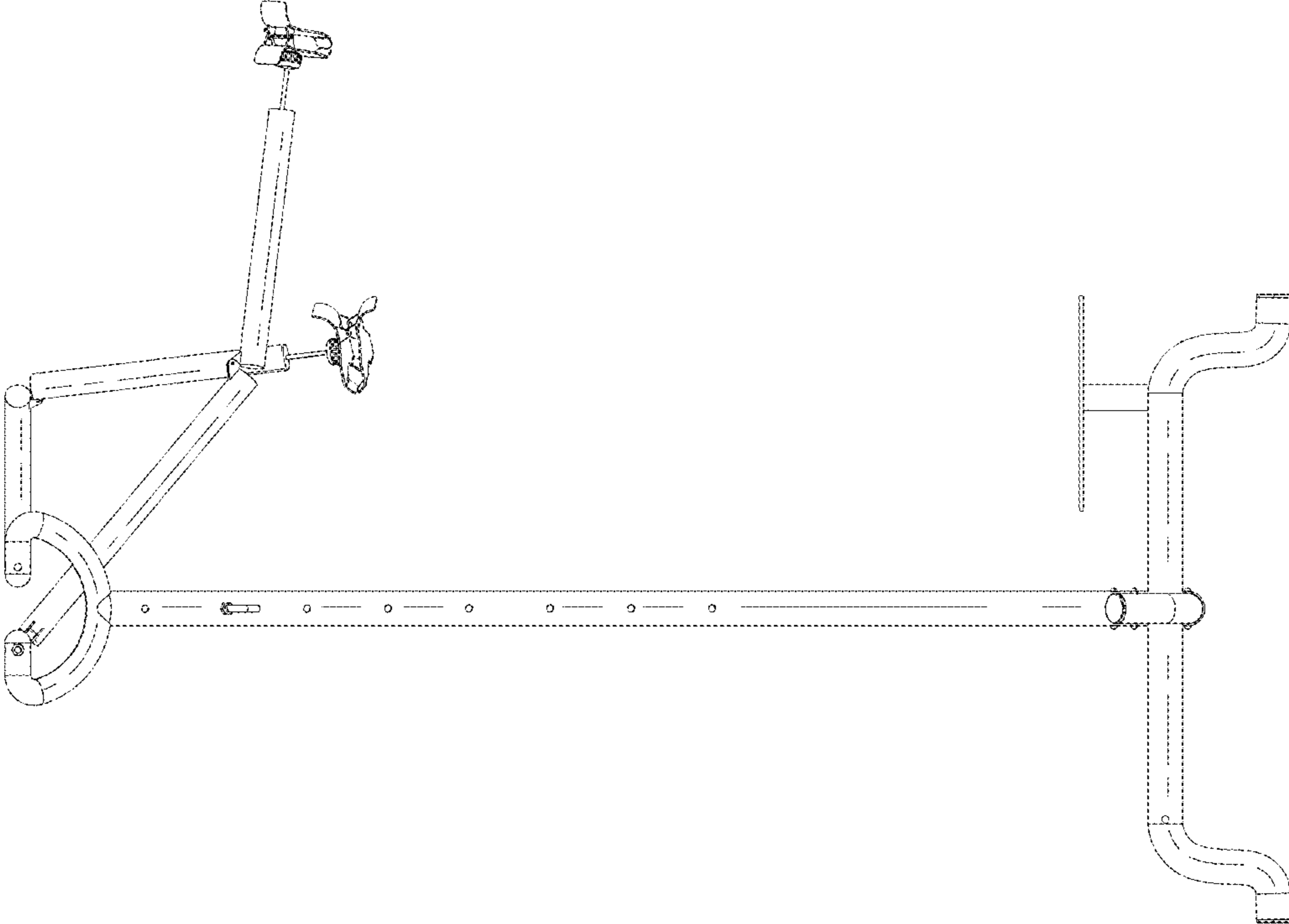


FIG. 5

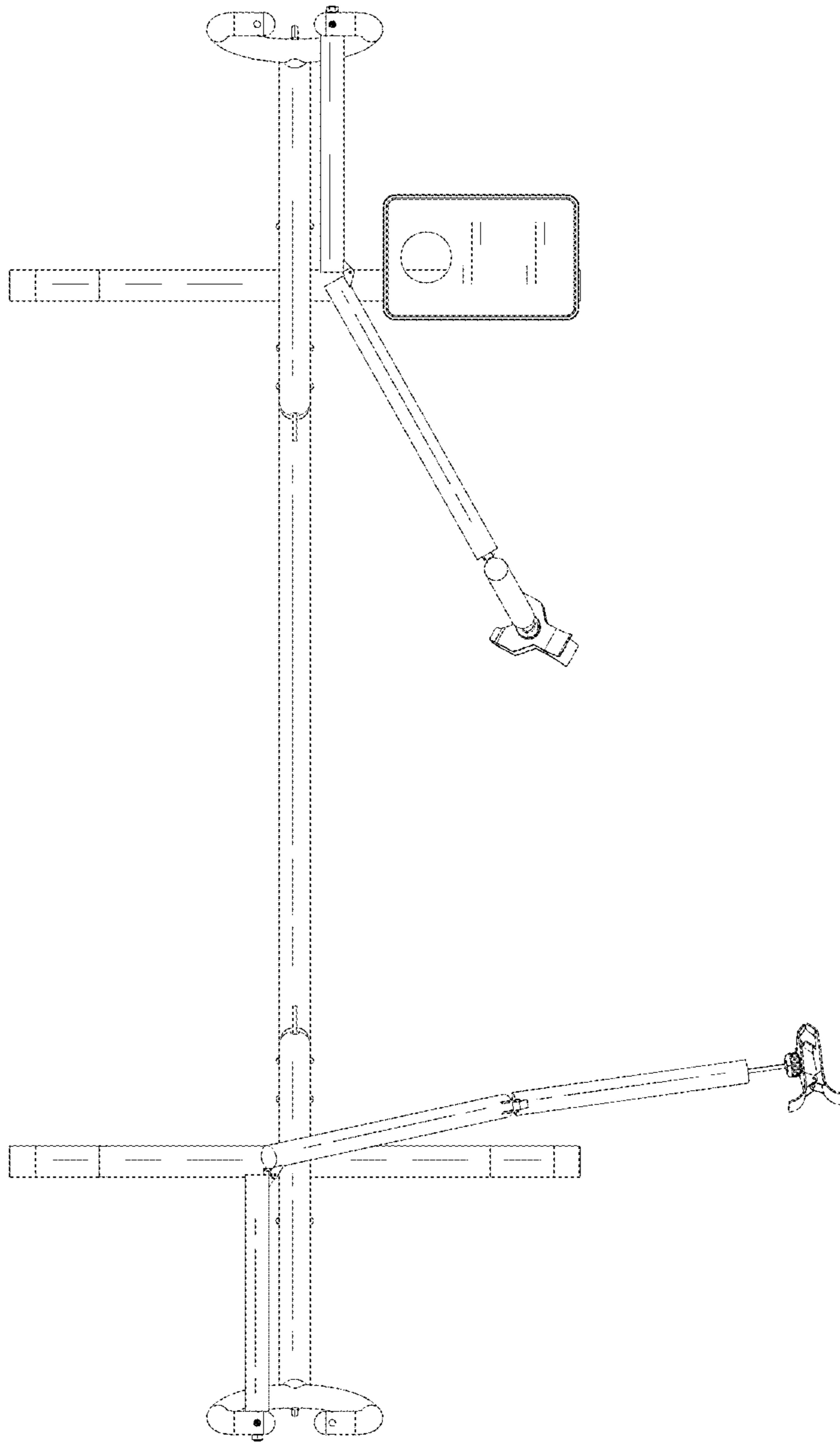


FIG. 6

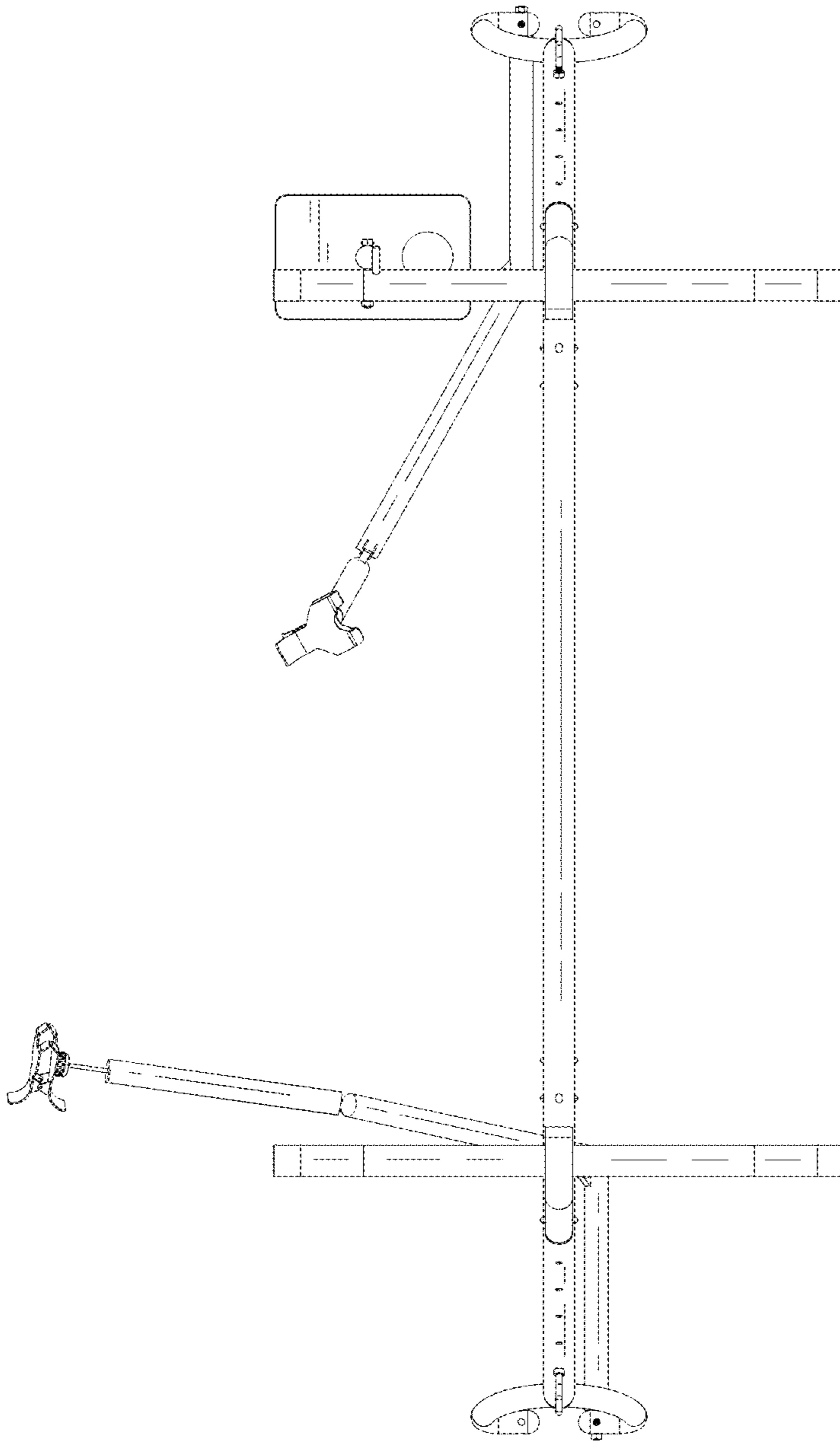


FIG. 7



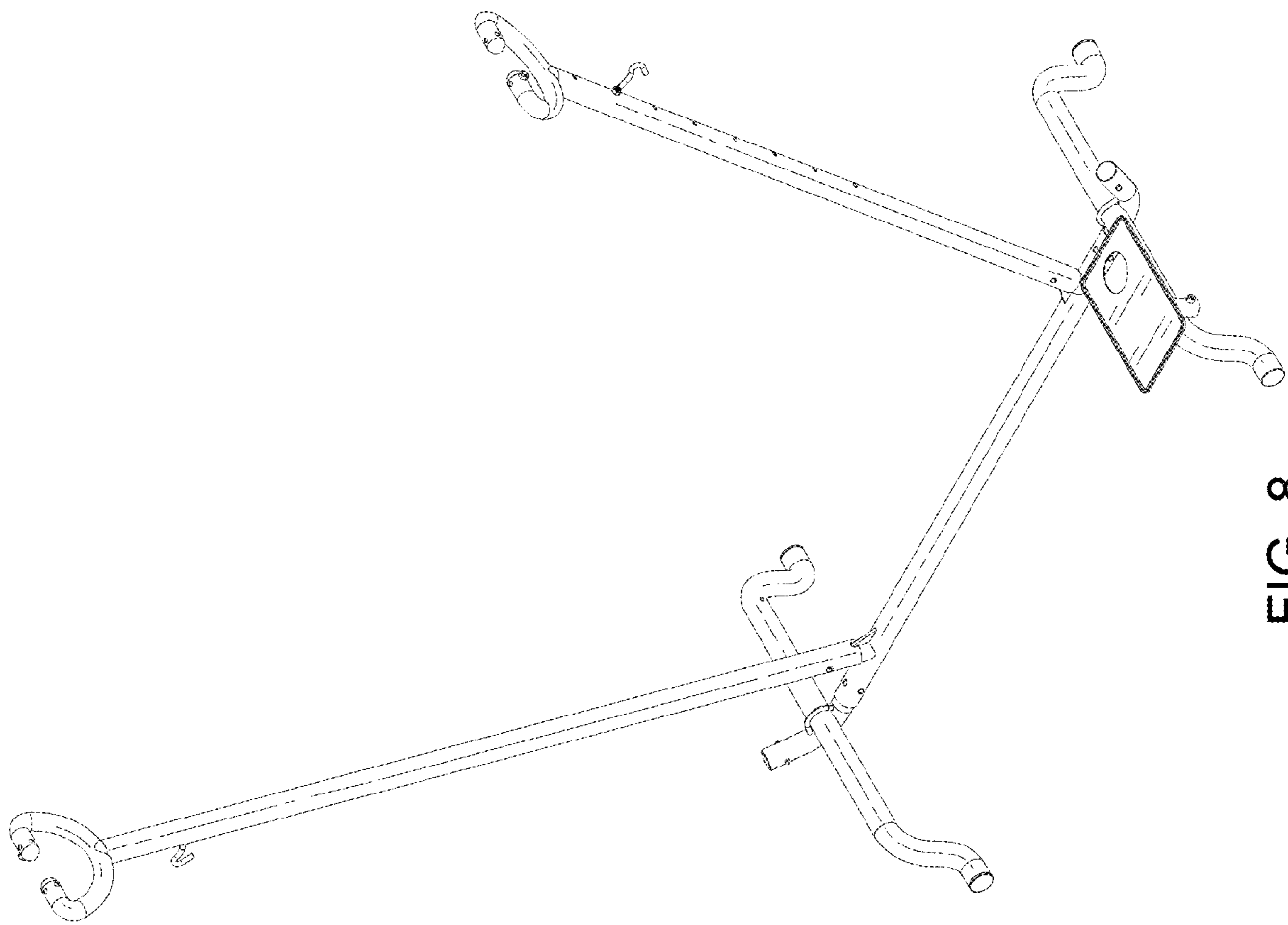


FIG. 8

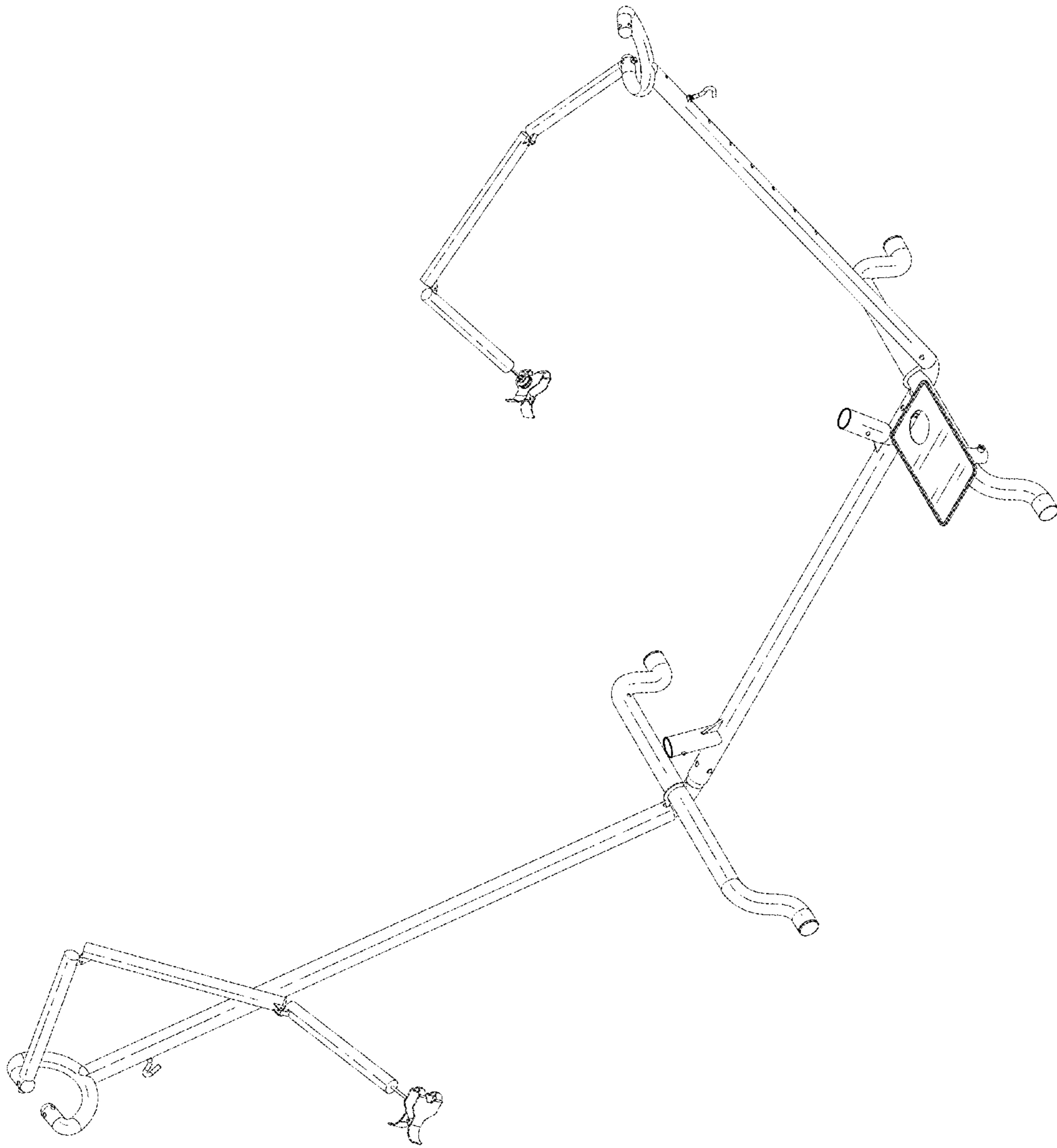


FIG. 9