



US00D920024S

(12) **United States Design Patent** (10) **Patent No.:** **US D920,024 S**
Hill et al. (45) **Date of Patent:** **** May 25, 2021**

- (54) **SCREEN**
- (71) Applicant: **HERMAN MILLER, INC.**, Zeeland, MI (US)
- (72) Inventors: **Jesse Hill**, Grand Rapids, MI (US); **Sathishkumar Sampath**, Holland, MI (US)
- (73) Assignee: **HERMAN MILLER, INC.**, Zeeland, MI (US)
- (**) Term: **15 Years**
- (21) Appl. No.: **29/684,241**
- (22) Filed: **Mar. 19, 2019**
- (51) **LOC (13) Cl.** **06-06**
- (52) **U.S. Cl.**
USPC **D6/714**
- (58) **Field of Classification Search**
USPC ... D6/329, 332, 641-643, 643.1, 699.5, 703, D6/703.1, 706, 713, 714
CPC . A47B 17/00; A47B 23/00; A47B 2023/0006; A47B 21/00; A47B 21/03; A47B 21/06; A47B 2200/0066; A47B 2200/0084; A47G 5/00; A47G 5/02
See application file for complete search history.

(56) **References Cited**

U.S. PATENT DOCUMENTS

- 1,409,609 A * 3/1922 Stockle A47C 29/006 135/96
- 5,579,797 A * 12/1996 Rogers B63B 17/02 135/90
- 6,202,659 B1 * 3/2001 Sachs A45B 17/00 135/142
- D537,258 S * 2/2007 Hosoe A45B 17/00 D6/332
- D537,259 S * 2/2007 Hosoe F16B 12/52 D6/332

- D554,850 S * 11/2007 Acosta B63B 17/02 D3/5
- D752,247 S * 3/2016 Bally D25/138
- D811,802 S * 3/2018 Brija D7/362
- 2003/0057810 A1 * 3/2003 DeWitt F16B 12/52 312/140
- 2015/0136341 A1 * 5/2015 Bally A47G 5/00 160/368.1

* cited by examiner

Primary Examiner — Mary Ann Calabrese
(74) *Attorney, Agent, or Firm* — Michael Best & Friedrich LLP

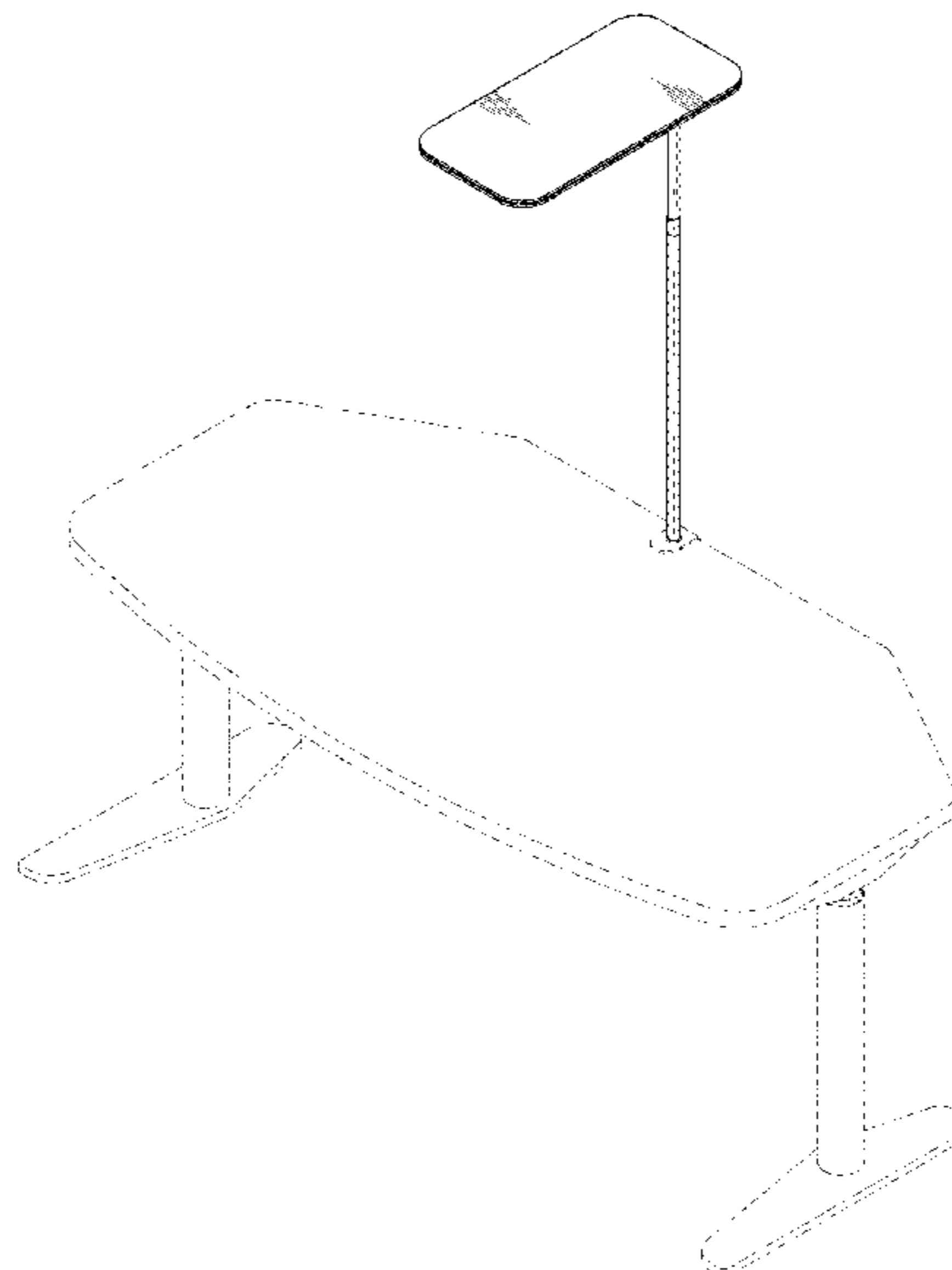
(57) **CLAIM**

We claim the ornamental design for a screen, as shown and described.

DESCRIPTION

FIG. 1 is a perspective view of a screen coupled to a support surface.
 FIG. 2 is a perspective view of the screen of FIG. 1 coupled to the support surface, shown in an alternate position of use.
 FIG. 3 is another perspective view of the screen of FIG. 1 coupled to the support surface, shown in a second alternate position of use.
 FIG. 4 is another perspective view of the screen of FIG. 1 coupled to the support surface, shown in a third alternate position of use.
 FIG. 5 is perspective view of the screen of FIG. 1 shown without the support surface.
 FIG. 6 is a front view of the screen of FIG. 1.
 FIG. 7 is a rear view of the screen shown in FIG. 1.
 FIG. 8 is a first side view of the screen shown in FIG. 1.
 FIG. 9 is a second side view of the screen shown in FIG. 1.
 FIG. 10 is a top view of the screen shown in FIG. 1; and, FIG. 11 is a bottom view of the screen shown in FIG. 1.
 The broken lines illustrate environment that forms no part of the claimed design.

1 Claim, 9 Drawing Sheets



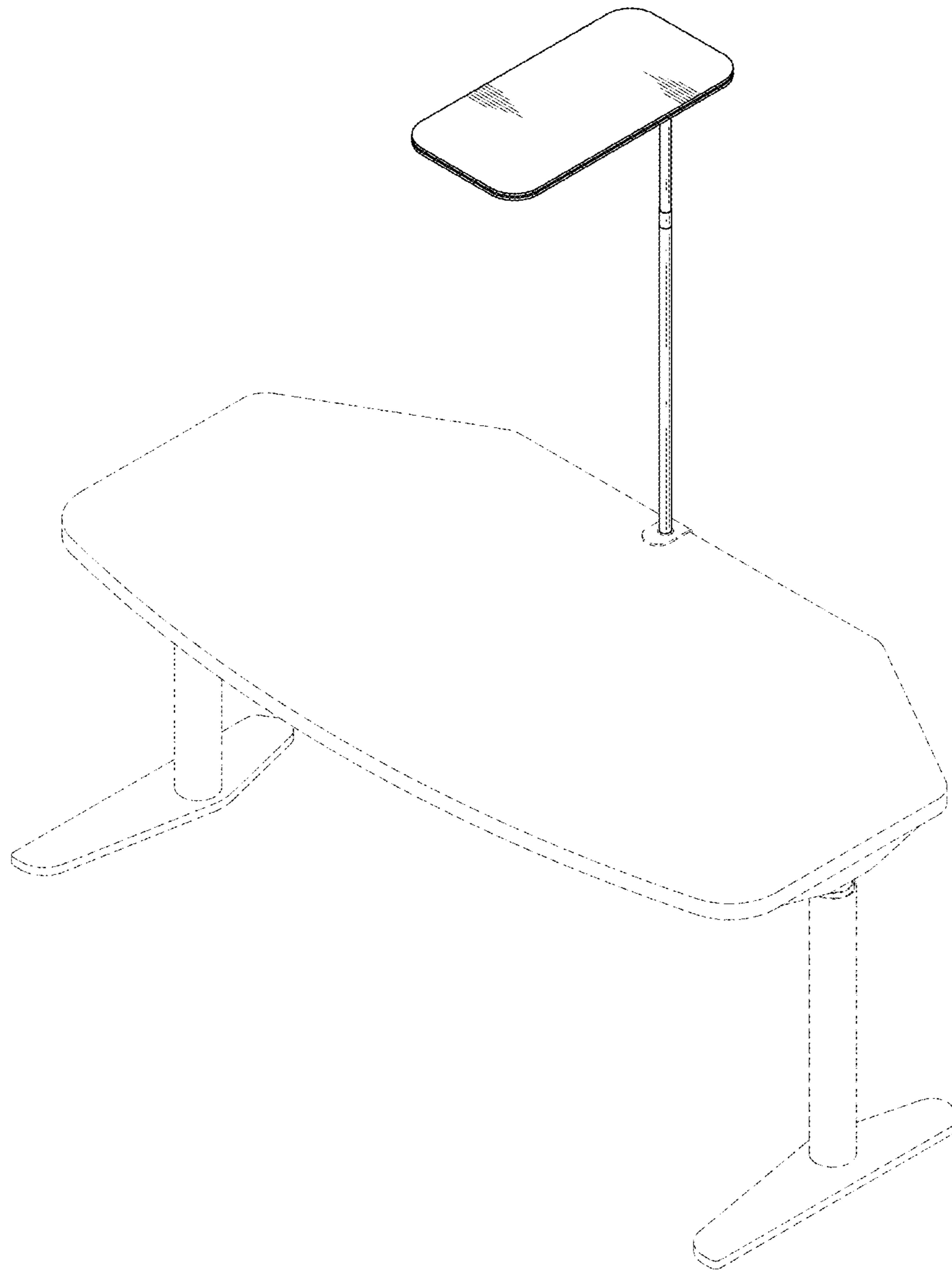


FIG. 1

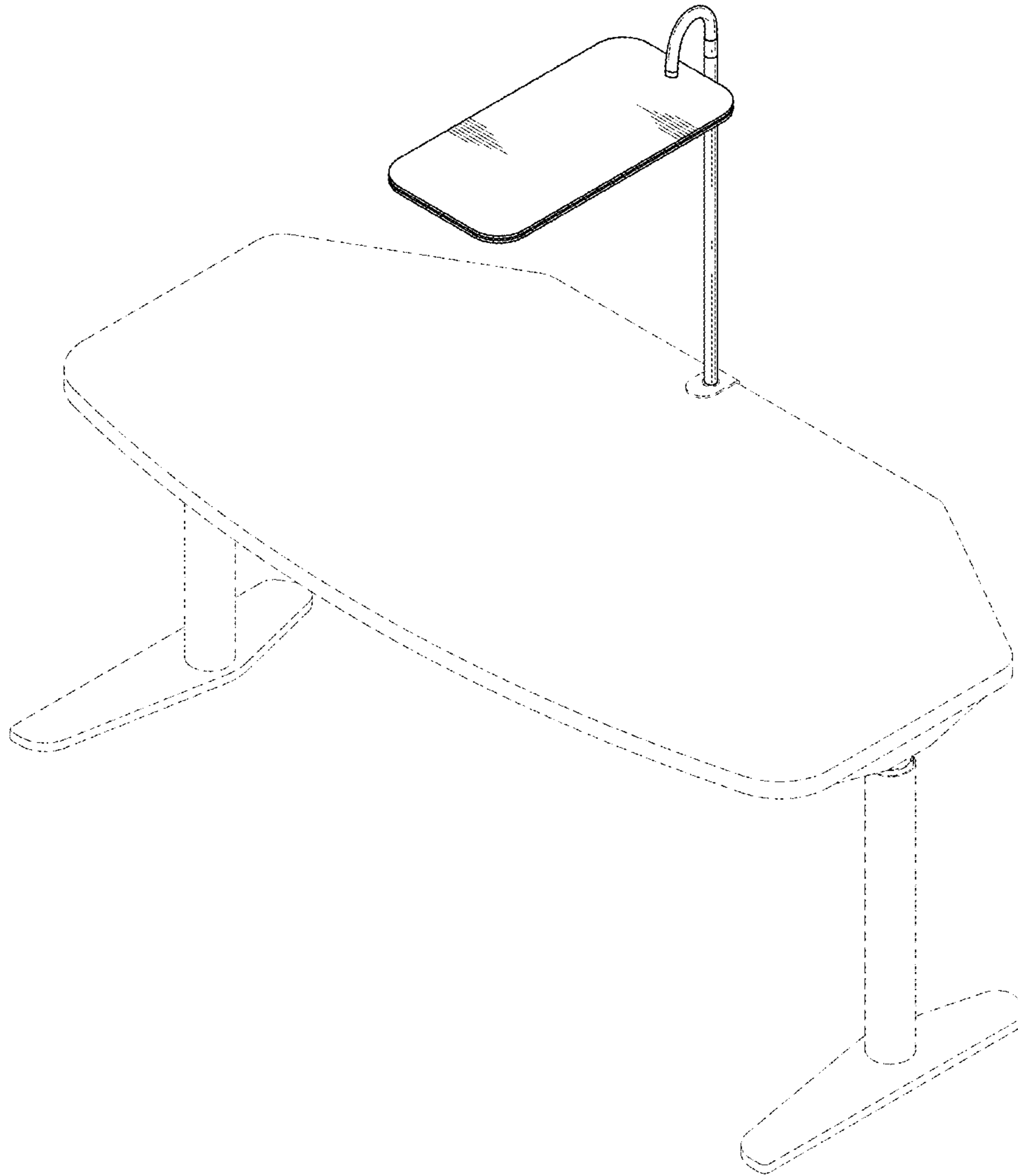


FIG. 2

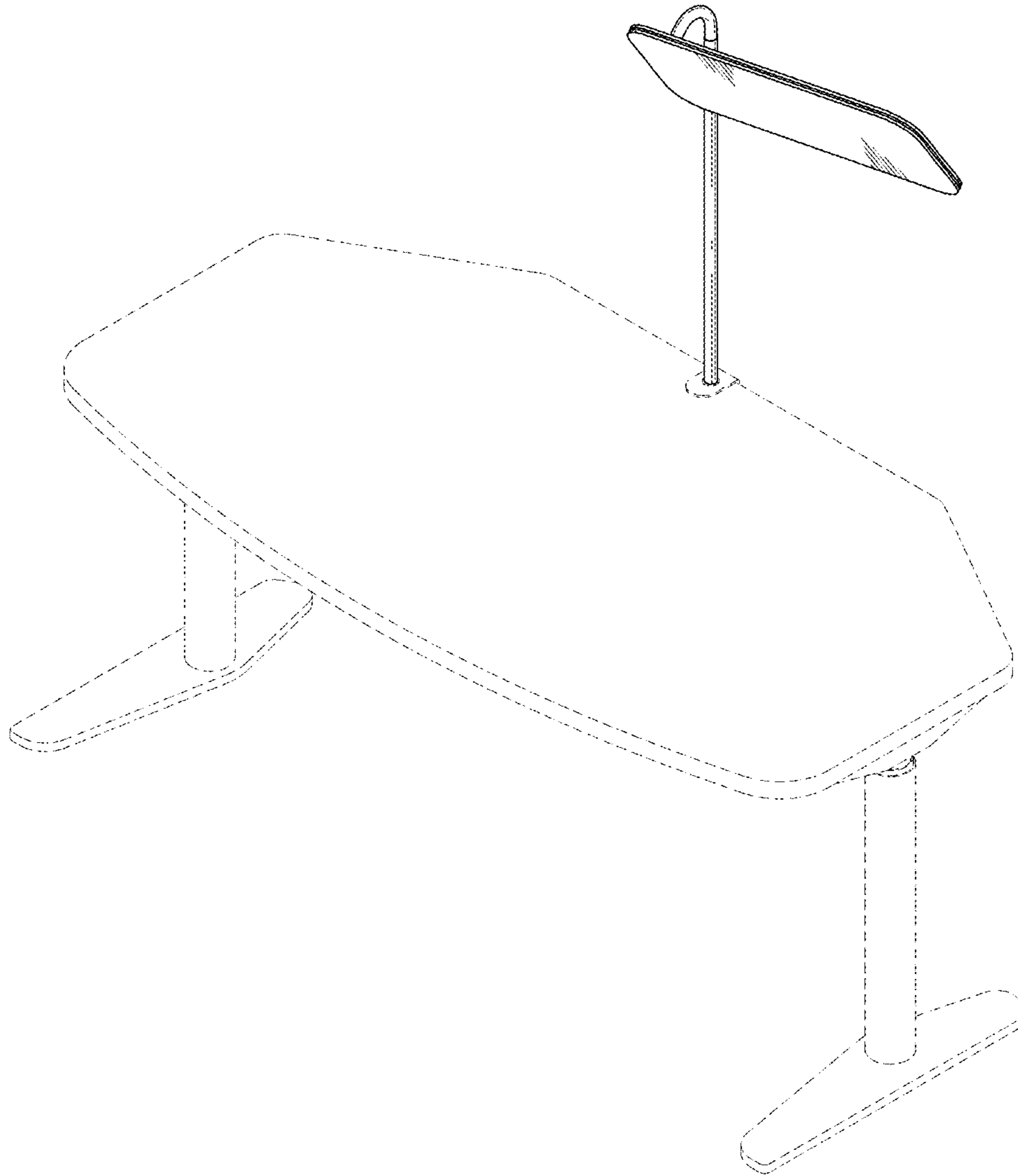


FIG. 3

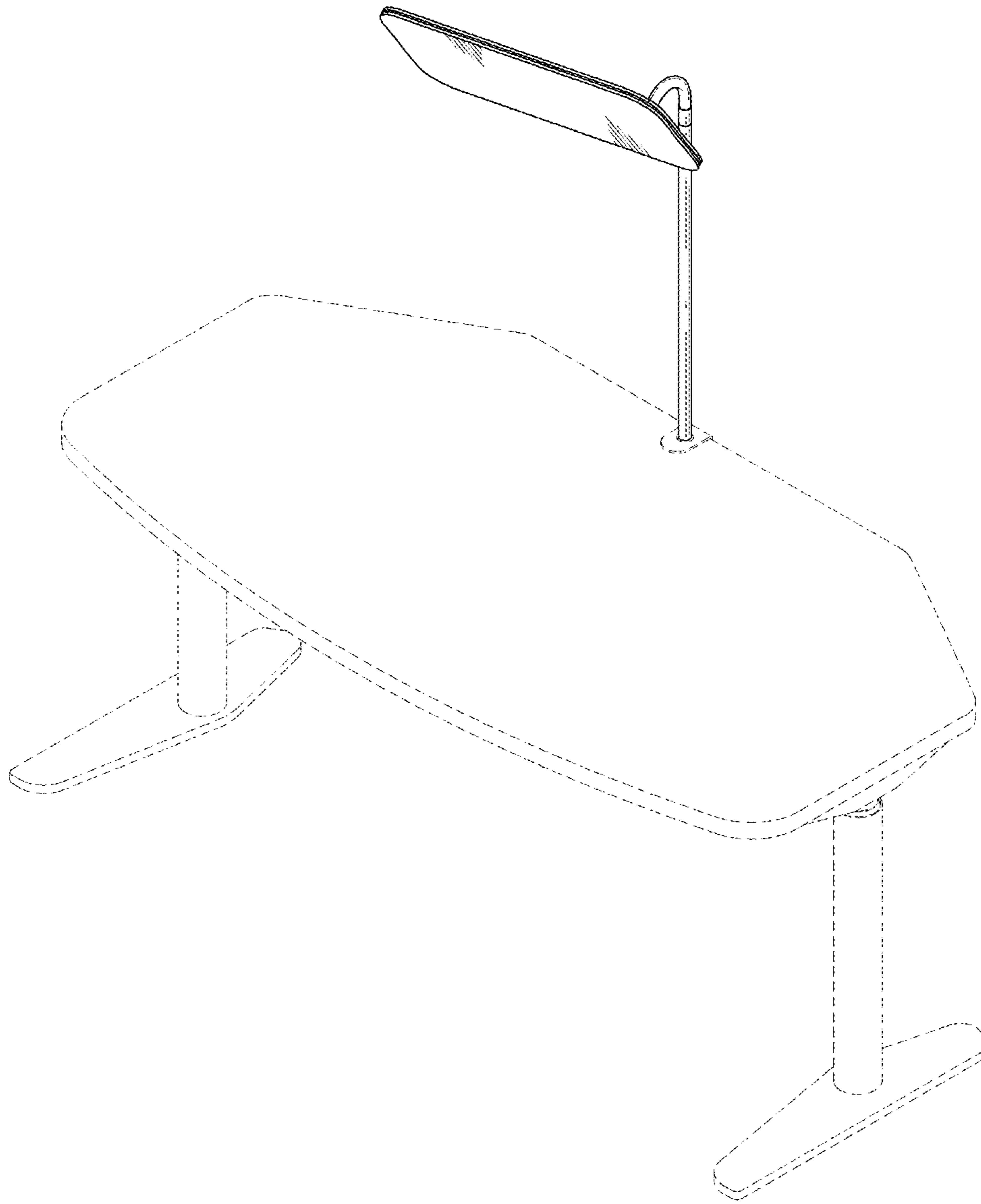


FIG. 4

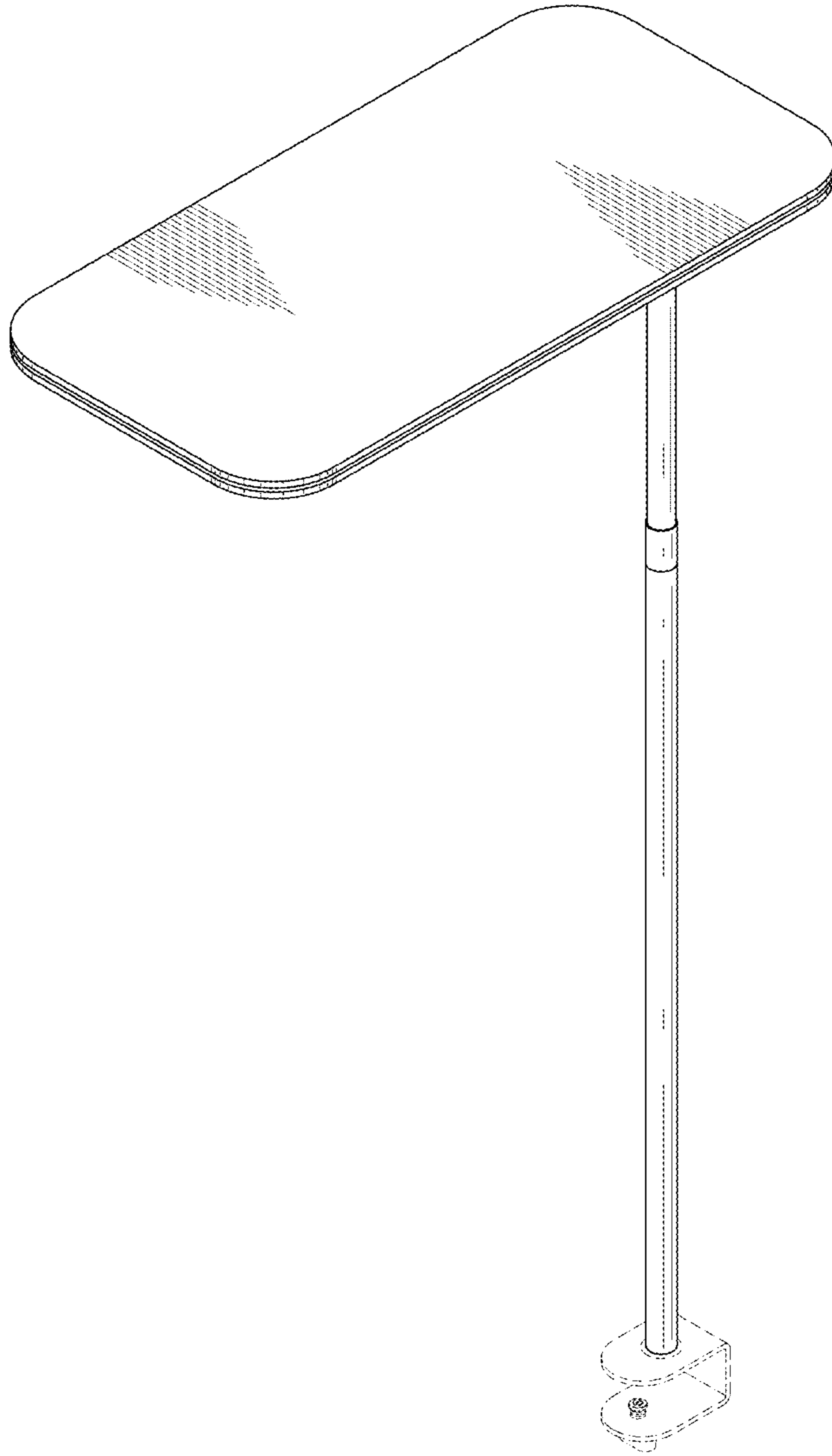


FIG. 5

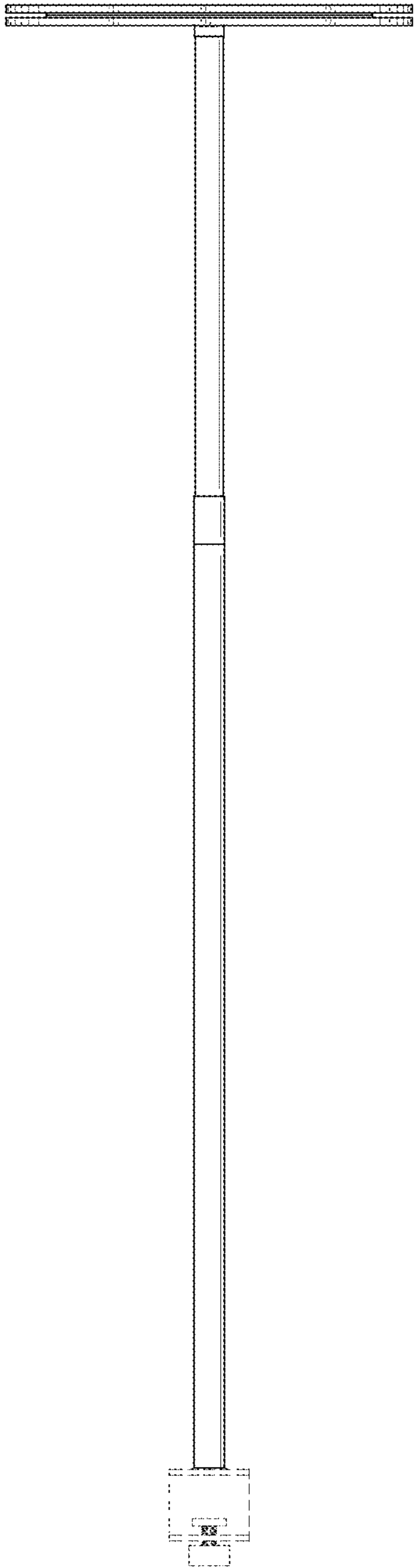


FIG. 6

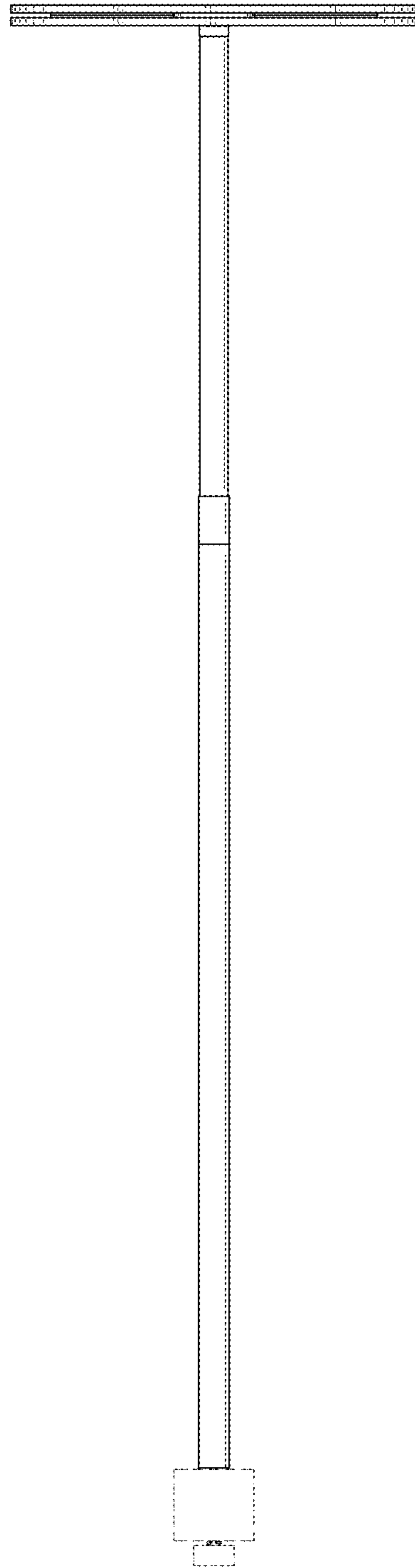


FIG. 7

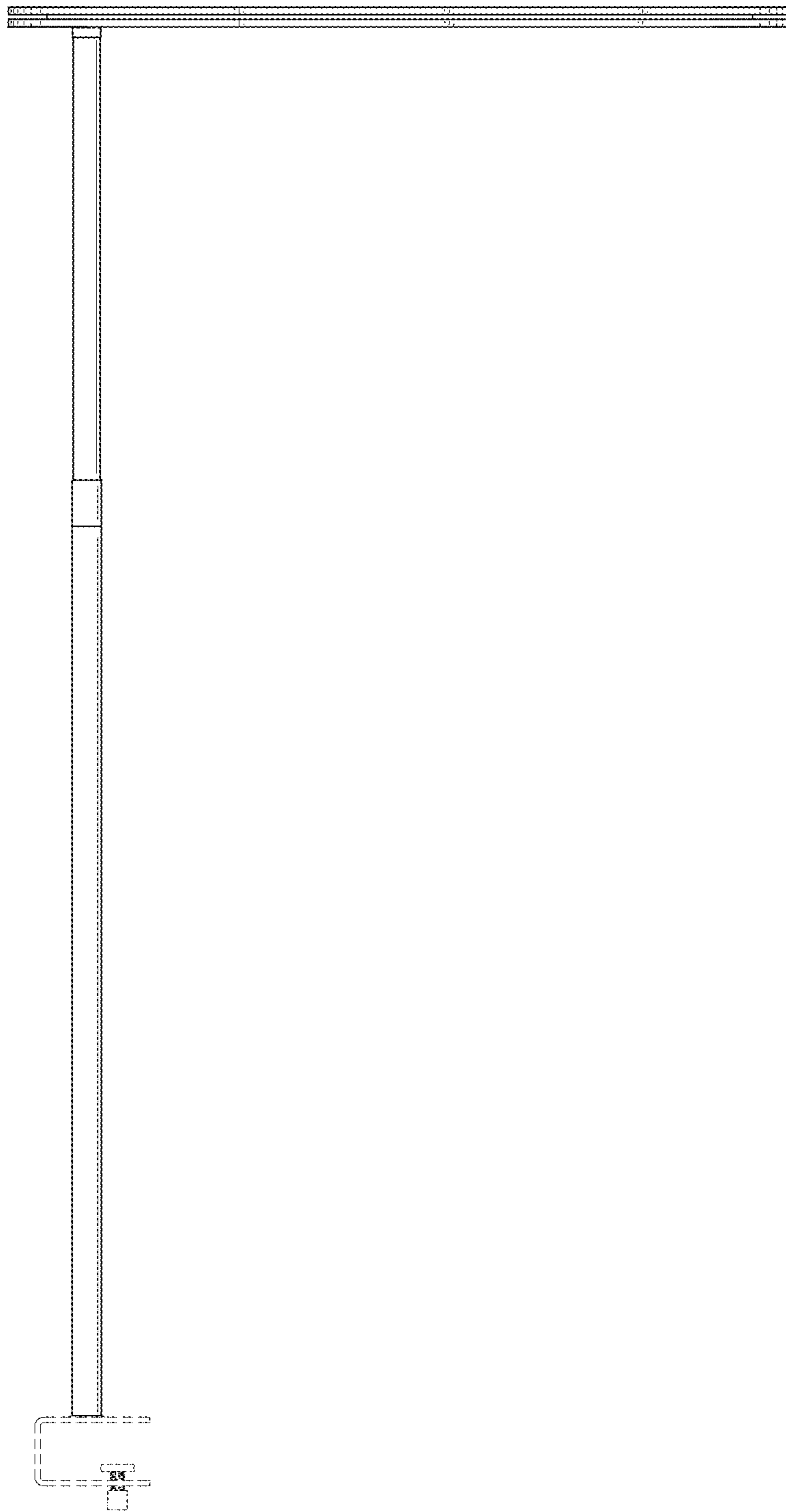


FIG. 8

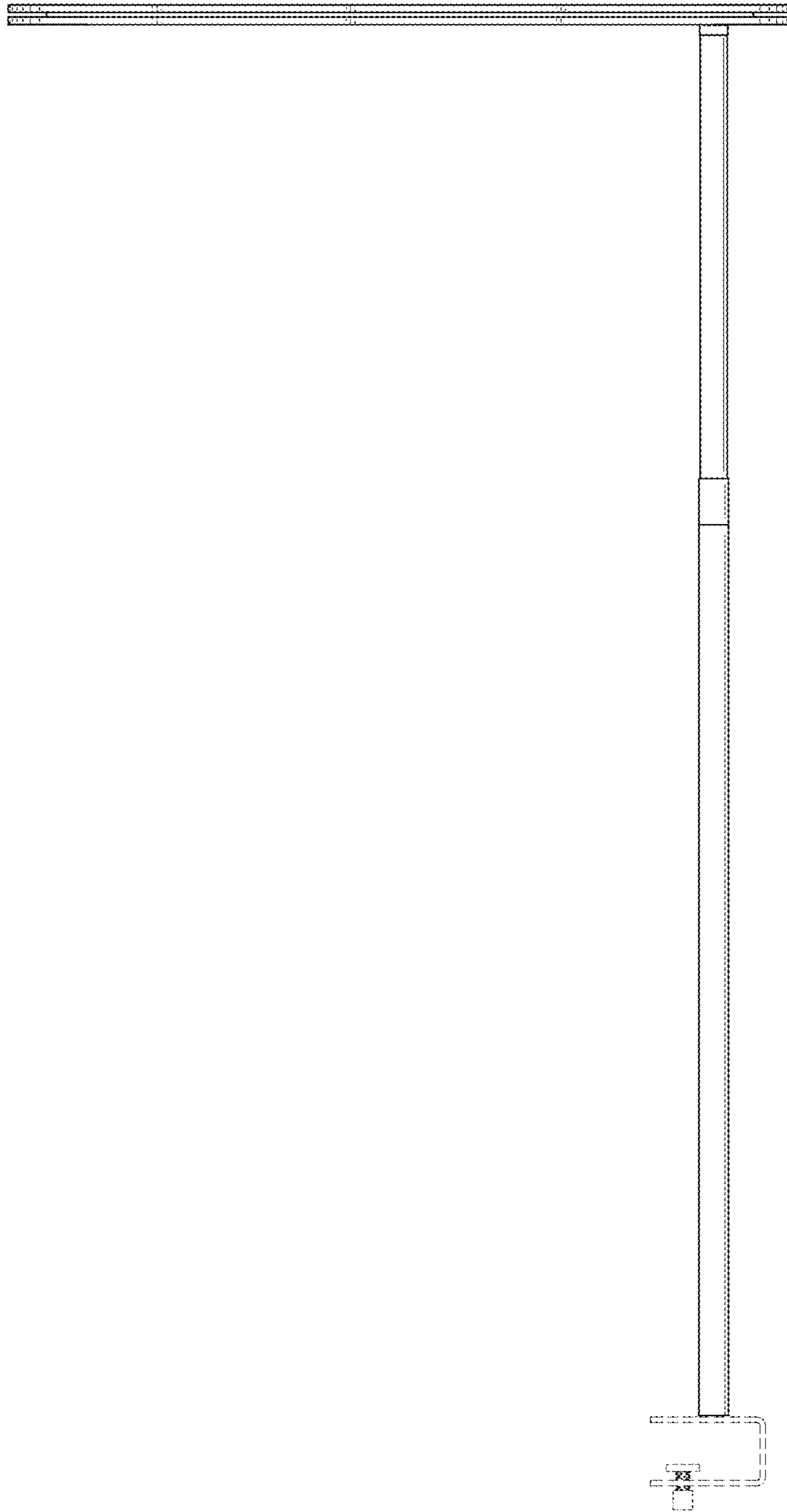


FIG. 9

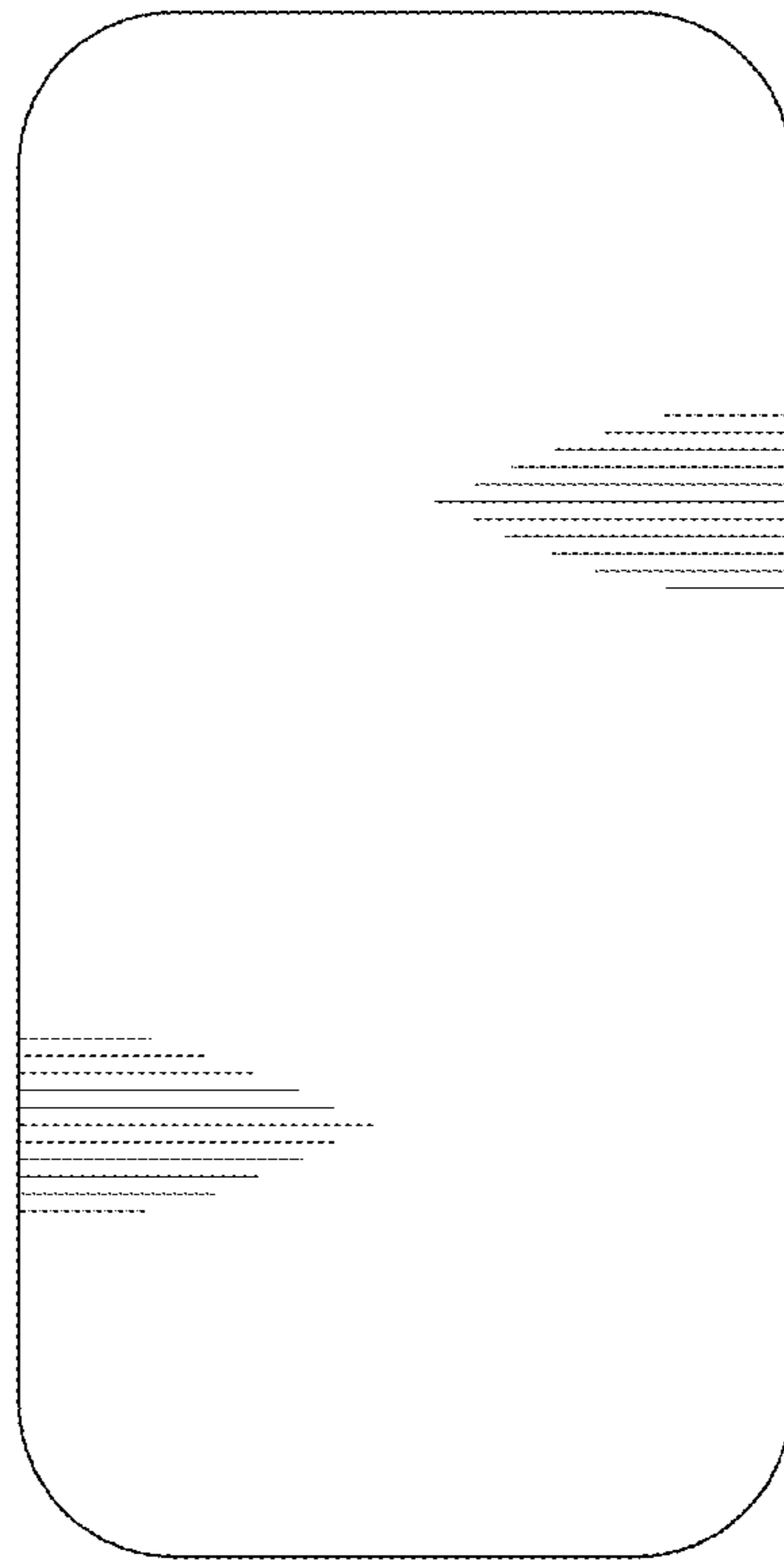


FIG. 10

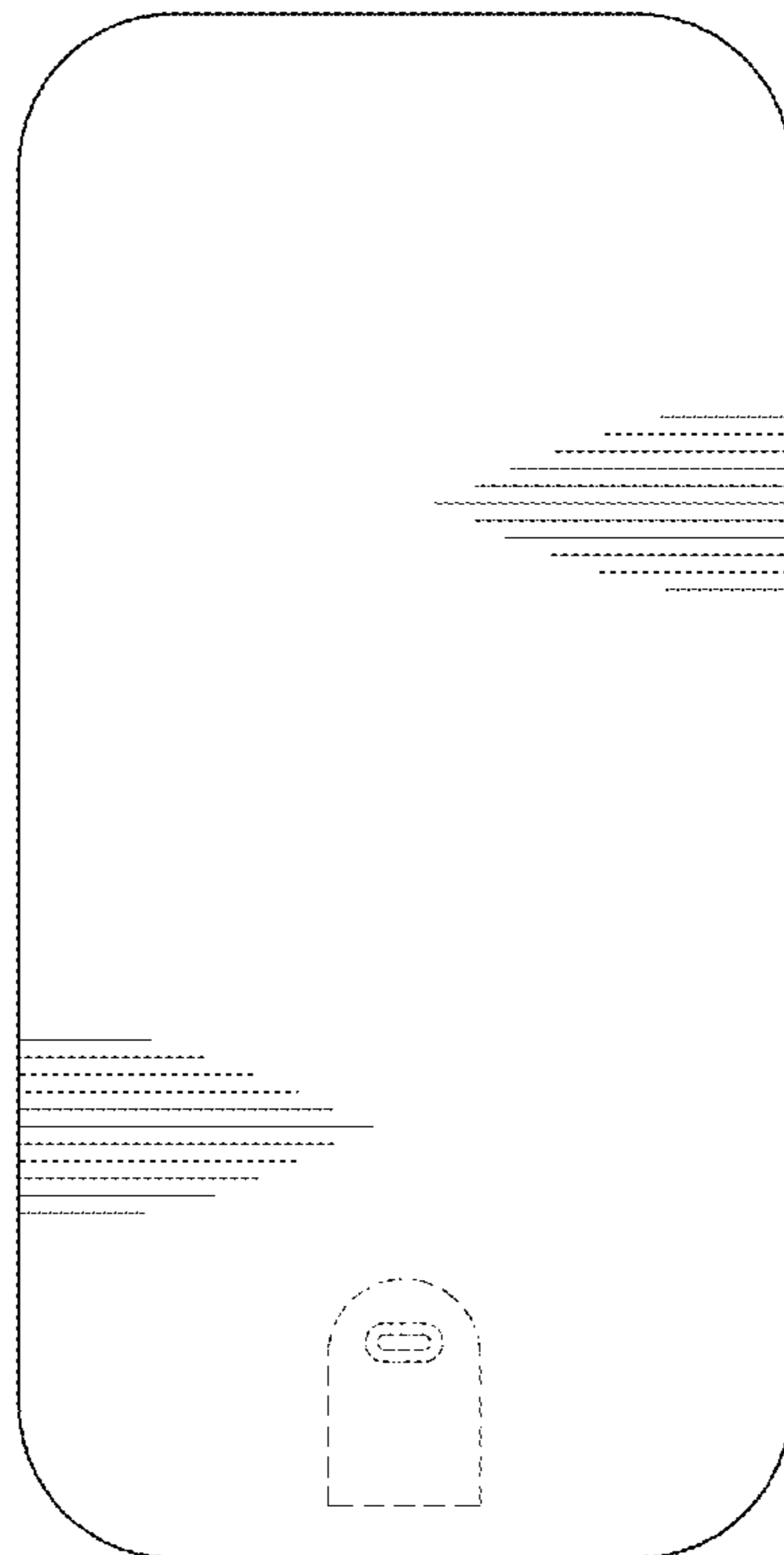


FIG. 11