



US00D920023S

(12) **United States Design Patent** (10) **Patent No.:** **US D920,023 S**  
**Xu** (45) **Date of Patent:** **\*\* May 25, 2021**

(54) **PAIR OF TABLE LEGS**

(71) Applicant: **Xiaohong Xu**, Jilin (CN)

(72) Inventor: **Xiaohong Xu**, Jilin (CN)

(\*\*) Term: **15 Years**

(21) Appl. No.: **29/672,487**

(22) Filed: **Dec. 6, 2018**

(51) **LOC (13) Cl.** ..... **06-06**

(52) **U.S. Cl.**  
USPC ..... **D6/709.2**

(58) **Field of Classification Search**  
USPC ..... D6/349, 373, 678.4, 691, 691.2, 691.5,  
D6/691.6, 708, 708.16, 709, 709.2,  
D6/709.22, 718  
CPC .... A47B 2200/0027; A47B 2200/0029; A47B  
17/00; A47B 17/003; A47B 21/00; A47B  
21/02; A47B 2097/006; A47B 17/02;  
A47B 9/20; A47B 9/00; A47B 85/02;  
A47B 41/02; A47B 9/08; A47B 9/04;  
A47B 9/02; A47B 9/10; A47B 3/00;  
A47B 3/087; A47B 3/091  
See application file for complete search history.

2,643,651 A \* 6/1953 Colston ..... 601/56  
D175,833 S \* 10/1955 Gratz ..... D6/373  
D230,165 S \* 1/1974 Young ..... D30/106  
4,219,896 A \* 9/1980 Behel ..... A47C 17/70  
5/110  
D286,479 S \* 11/1986 Marchesini ..... D6/691.5  
D330,648 S \* 11/1992 Lippert ..... D6/407  
D336,927 S \* 6/1993 Samuels ..... D19/75  
D371,027 S \* 6/1996 Skurman ..... D6/709.2  
D472,723 S \* 4/2003 Haney ..... D6/373  
D572,946 S \* 7/2008 Bollen ..... D6/691.6

(Continued)

**OTHER PUBLICATIONS**

“Highlander Small Folding Table.” Found online Feb. 1, 2021 at  
www.amazon.co.uk. Product first available Jan. 30, 2012. Retrieved  
from URL: <https://www.amazon.co.uk/Highlander-Small-Folding-Table-Aluminium/dp/B00BIBBFRC> (Year: 2012).\*

(Continued)

*Primary Examiner* — Mary Ann Calabrese  
*Assistant Examiner* — Katelin G Kloberg

(57) **CLAIM**

The ornamental design for a pair of table legs, as shown and  
described.

**DESCRIPTION**

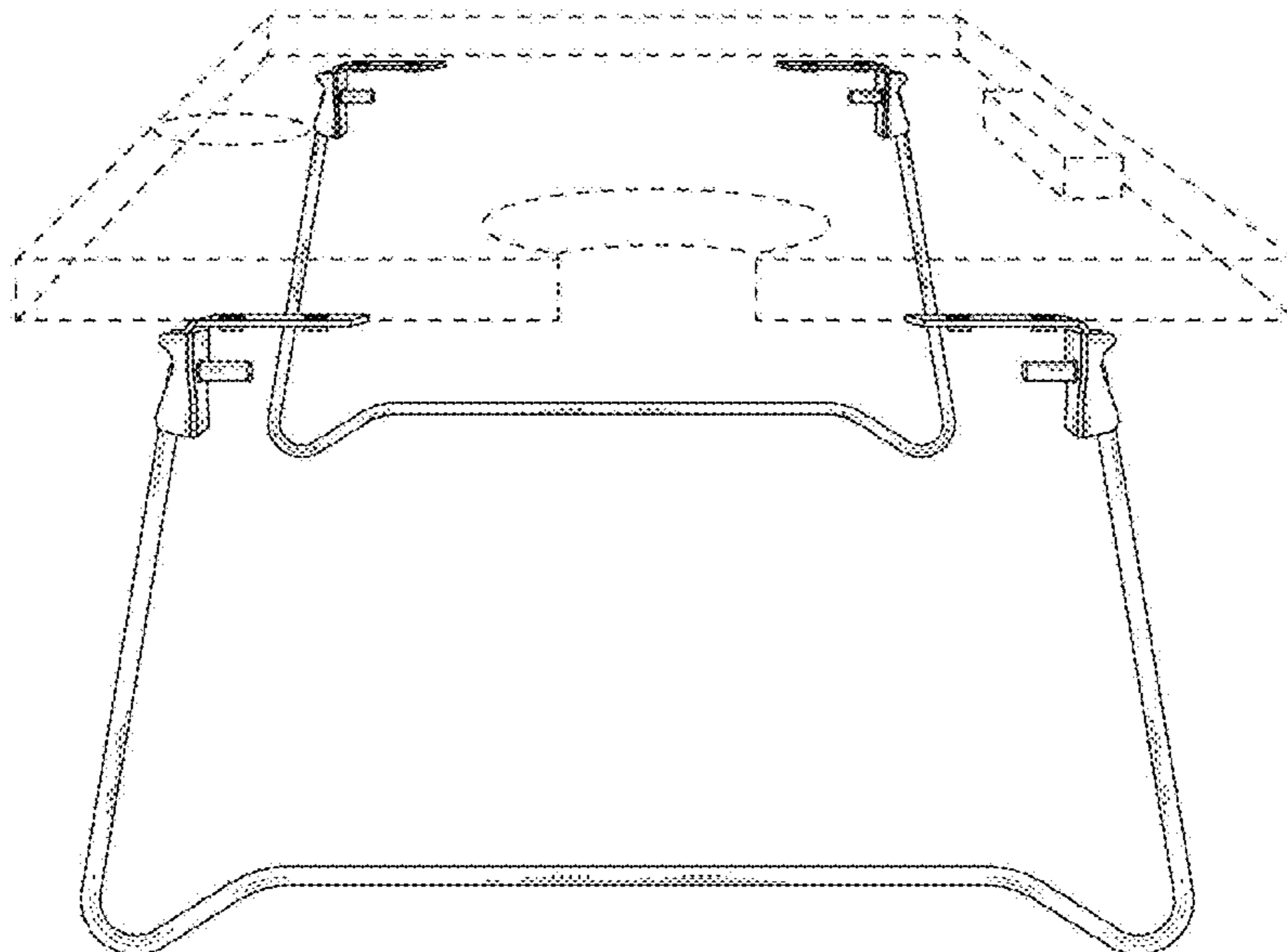
FIG. 1 is a front elevation view of a pair of table legs  
showing my new design;  
FIG. 2 is a rear elevation view thereof;  
FIG. 3 is a left side elevation view thereof;  
FIG. 4 is a right side elevation view thereof;  
FIG. 5 is a top plan view thereof;  
FIG. 6 is a bottom plan view thereof; and,  
FIG. 7 is a perspective view thereof, shown within an  
environment of use.  
In FIG. 7, the broken lines depict environmental subject  
matter that forms no part of the claimed design.

(56) **References Cited**

**U.S. PATENT DOCUMENTS**

D32,410 S \* 3/1900 Barcalo ..... D6/718  
D91,315 S \* 1/1934 Brown ..... D6/691.6  
2,060,099 A \* 11/1936 McNeff ..... A47C 9/04  
248/440  
D145,947 S \* 11/1946 Larson ..... D6/691.6  
D149,525 S \* 5/1948 Sundberg ..... D6/691.6  
D159,003 S \* 6/1950 Rothschild ..... D6/708  
2,618,524 A \* 11/1952 Hoffmann ..... A47B 3/087  
108/36  
D168,430 S \* 12/1952 Wright ..... D6/691.6  
2,630,360 A \* 3/1953 McGinley ..... A47B 9/00  
248/188.2

**1 Claim, 7 Drawing Sheets**



(56)

**References Cited**

## U.S. PATENT DOCUMENTS

D588,380 S \* 3/2009 Bucholz ..... D6/691.5  
 D614,889 S \* 5/2010 Van Duysen ..... D6/691.5  
 D620,286 S \* 7/2010 Carmon ..... D6/691  
 D655,951 S \* 3/2012 McCurry ..... D6/708  
 D670,926 S \* 11/2012 Ukmar ..... D6/349  
 D734,631 S \* 7/2015 Velez ..... D6/708.16  
 D744,269 S \* 12/2015 Lah ..... D6/709.2  
 D758,113 S \* 6/2016 Domingo ..... D6/691  
 D802,321 S \* 11/2017 Martinez ..... D6/373  
 D811,142 S \* 2/2018 Velez ..... D6/708.16  
 D814,814 S \* 4/2018 Spoelhof ..... D6/349  
 D843,520 S \* 3/2019 Thompson ..... D21/691  
 D862,952 S \* 10/2019 Davis ..... D6/691  
 D873,057 S \* 1/2020 Tuang ..... D6/678.4  
 D878,122 S \* 3/2020 Lee ..... D6/691.2  
 D906,714 S \* 1/2021 Geelen ..... D6/373  
 2006/0059620 A1 \* 3/2006 Holub ..... A47C 17/70  
 5/114

## OTHER PUBLICATIONS

“Bent Steel Industrial Table Legs.” Found online Feb. 1, 2021 at [www.etsy.com](https://www.etsy.com/listing/227826350/bent-steel-industrial-table-legs-any). Product reviewed May 26, 2015. Retrieved from URL: <https://www.etsy.com/listing/227826350/bent-steel-industrial-table-legs-any> (Year: 2015).\*

“Golden Table Legs.” Found online Feb. 1, 2021 at [www.etsy.com](https://www.etsy.com). Product reviewed Nov. 25, 2017. Retrieved from URL: [tinyurl.com/7hjxkyj3](https://www.tinyurl.com/7hjxkyj3) (Year: 2017).\*

“U Shape Metal Table Leg 2-Pack.” Found online Feb. 1, 2021 at [www.amazon.com](https://www.amazon.com). Product first available Sep. 28, 2020. Retrieved from URL: <https://www.amazon.com/Shape-Metal-2-Pack-Precision-Handmade/dp/B08K992T2D> (Year: 2020).\*

\* cited by examiner

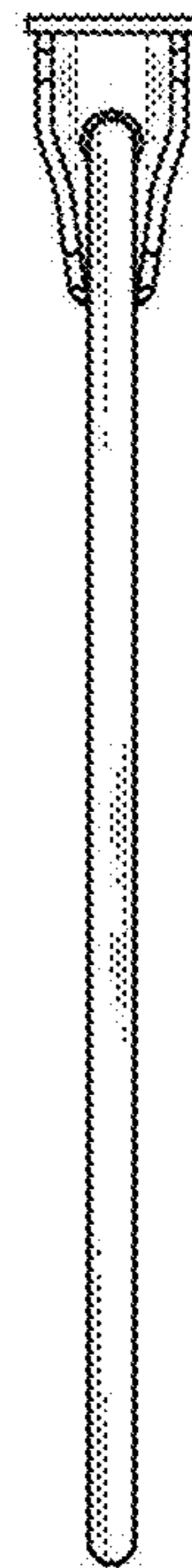
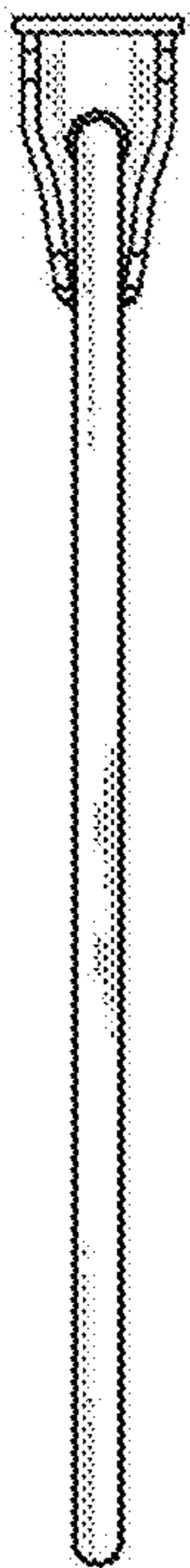


FIG.1



FIG.2

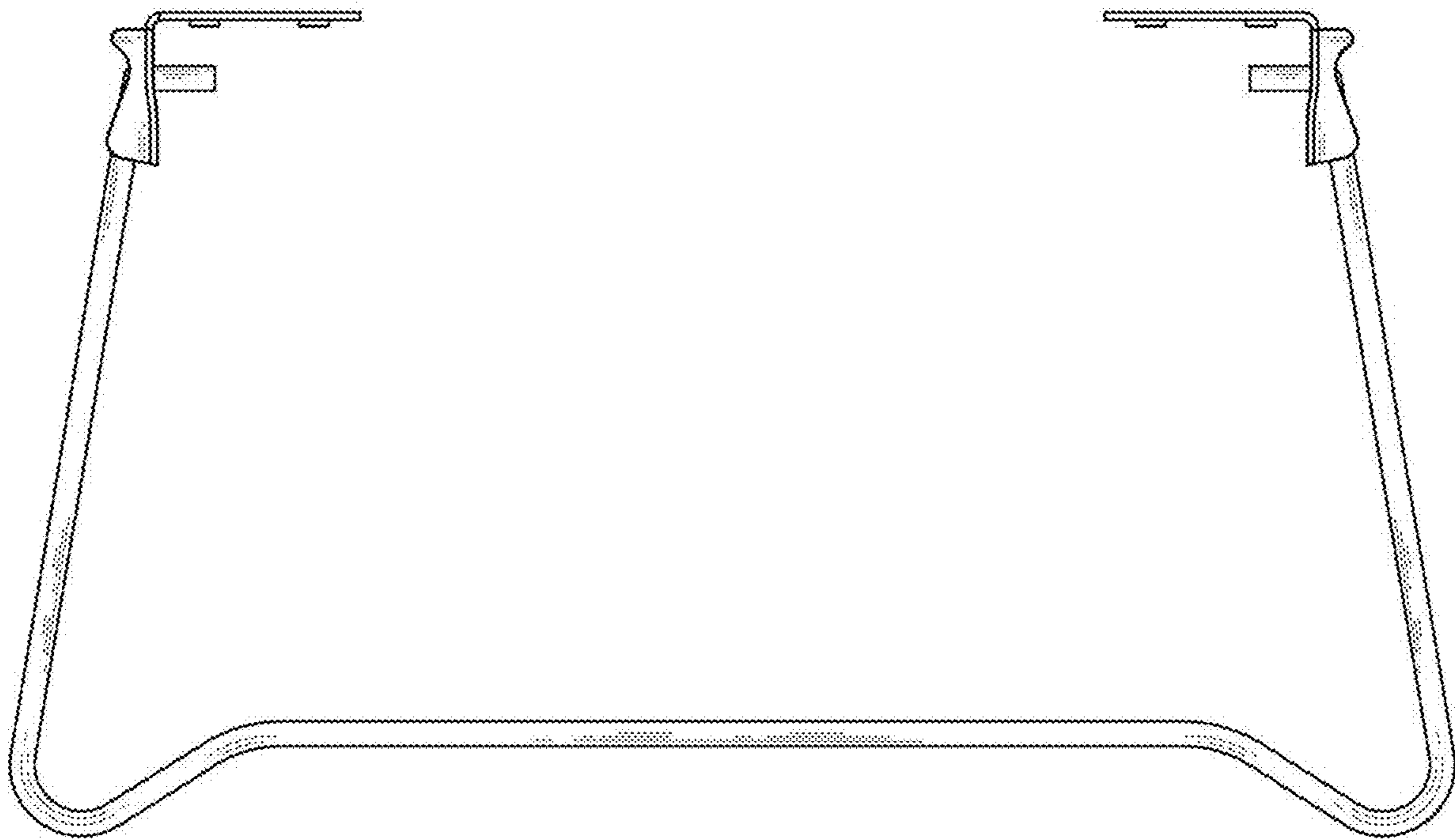


FIG.3

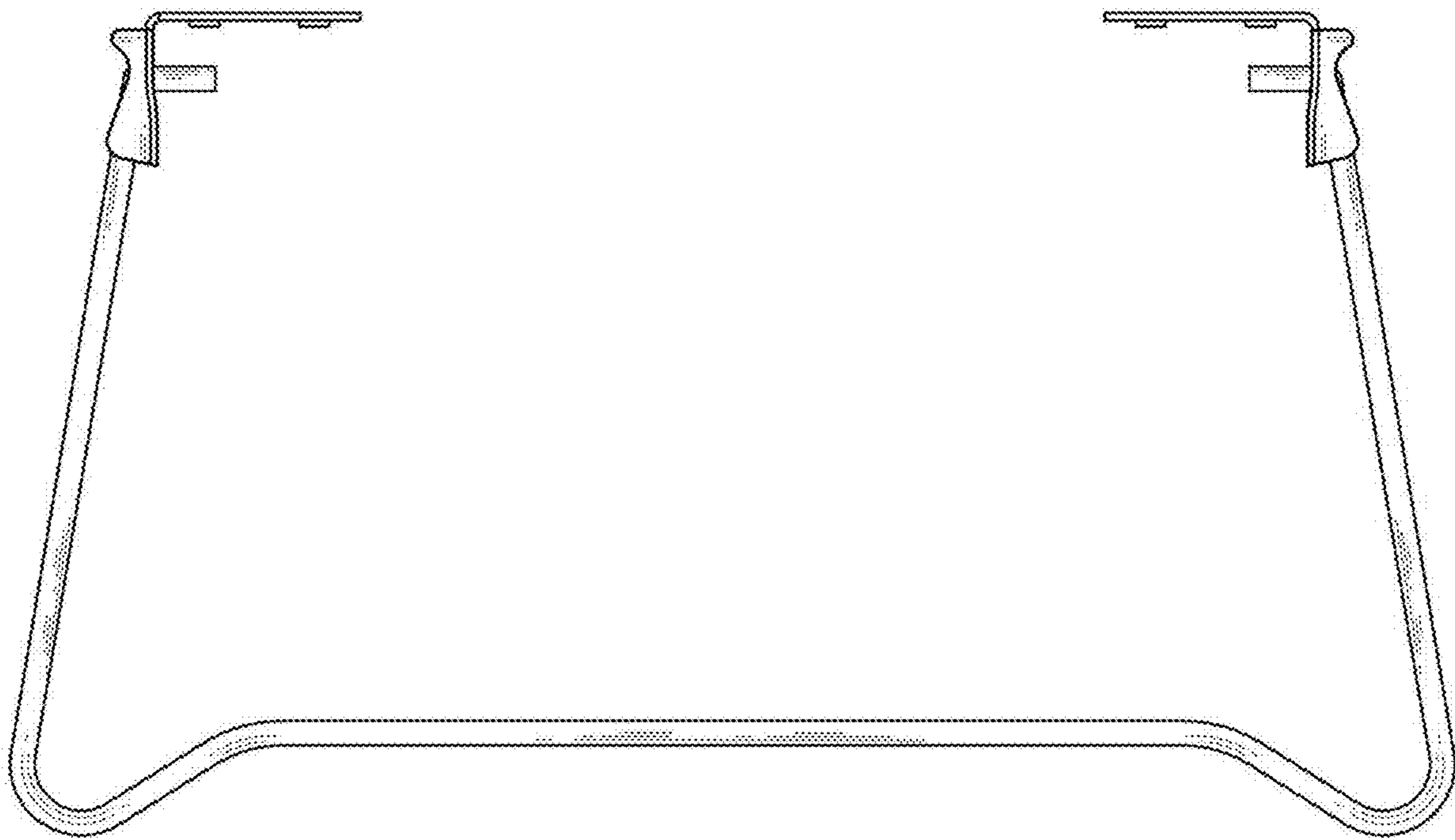


FIG.4

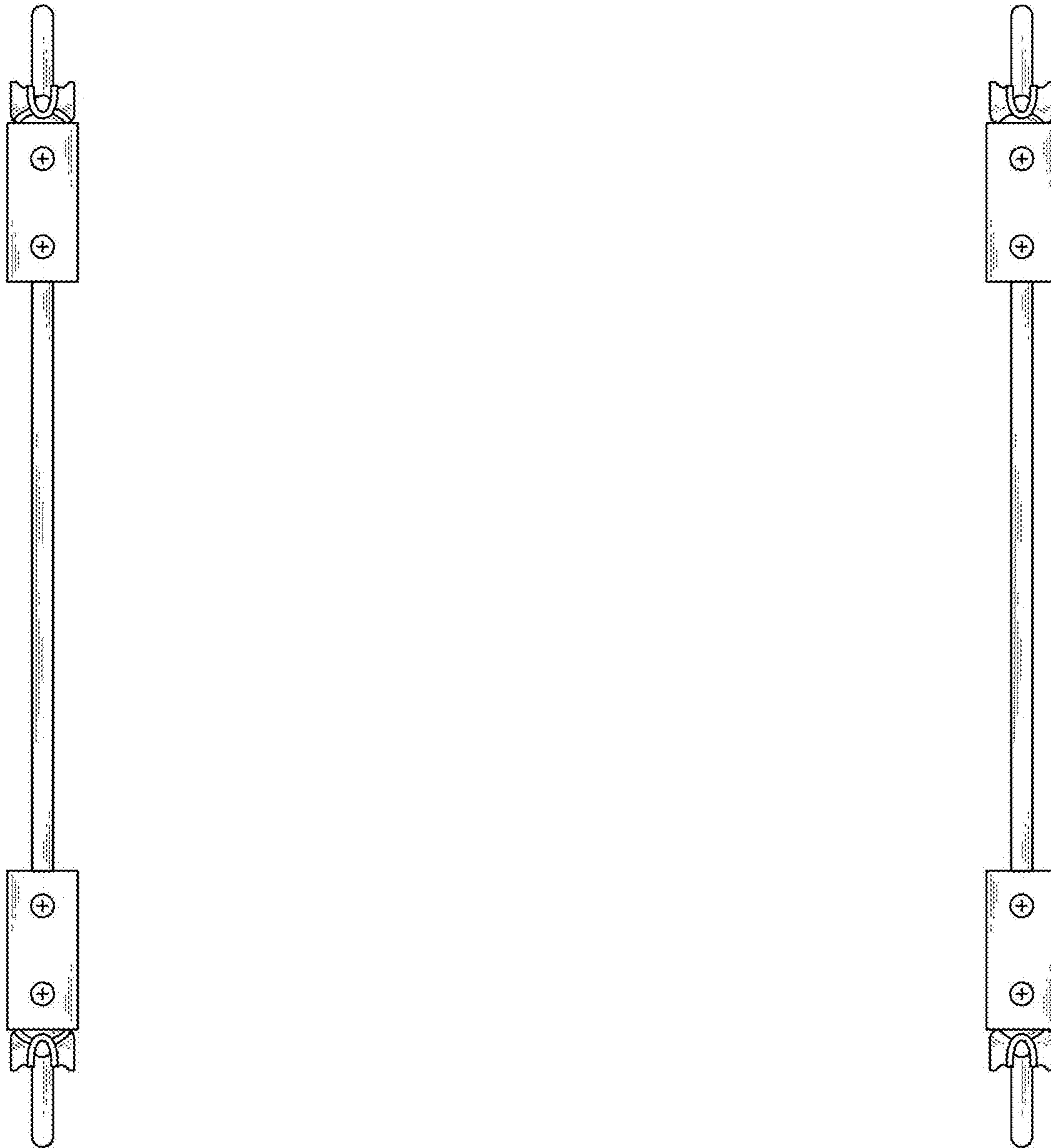


FIG.5

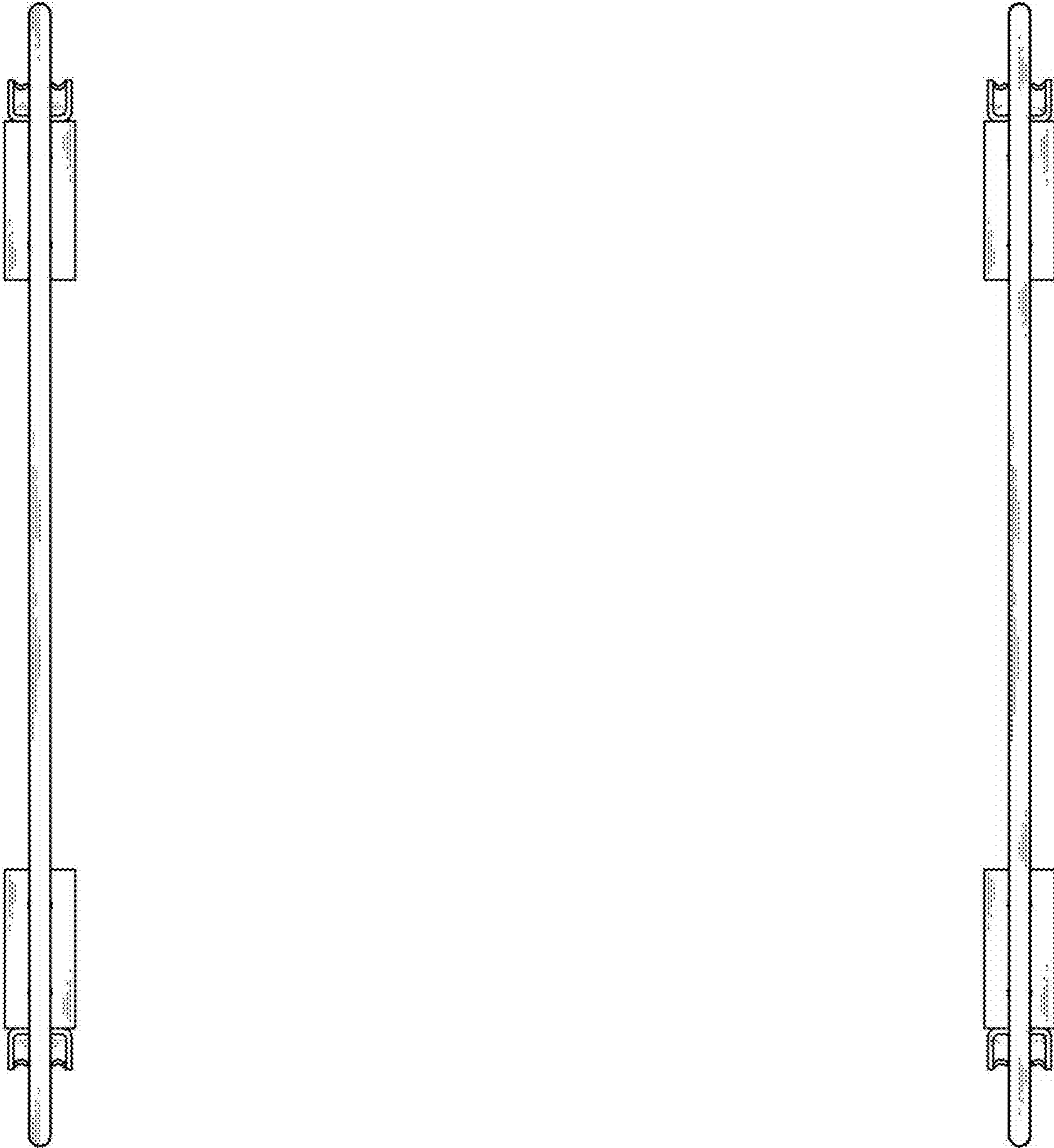


FIG.6



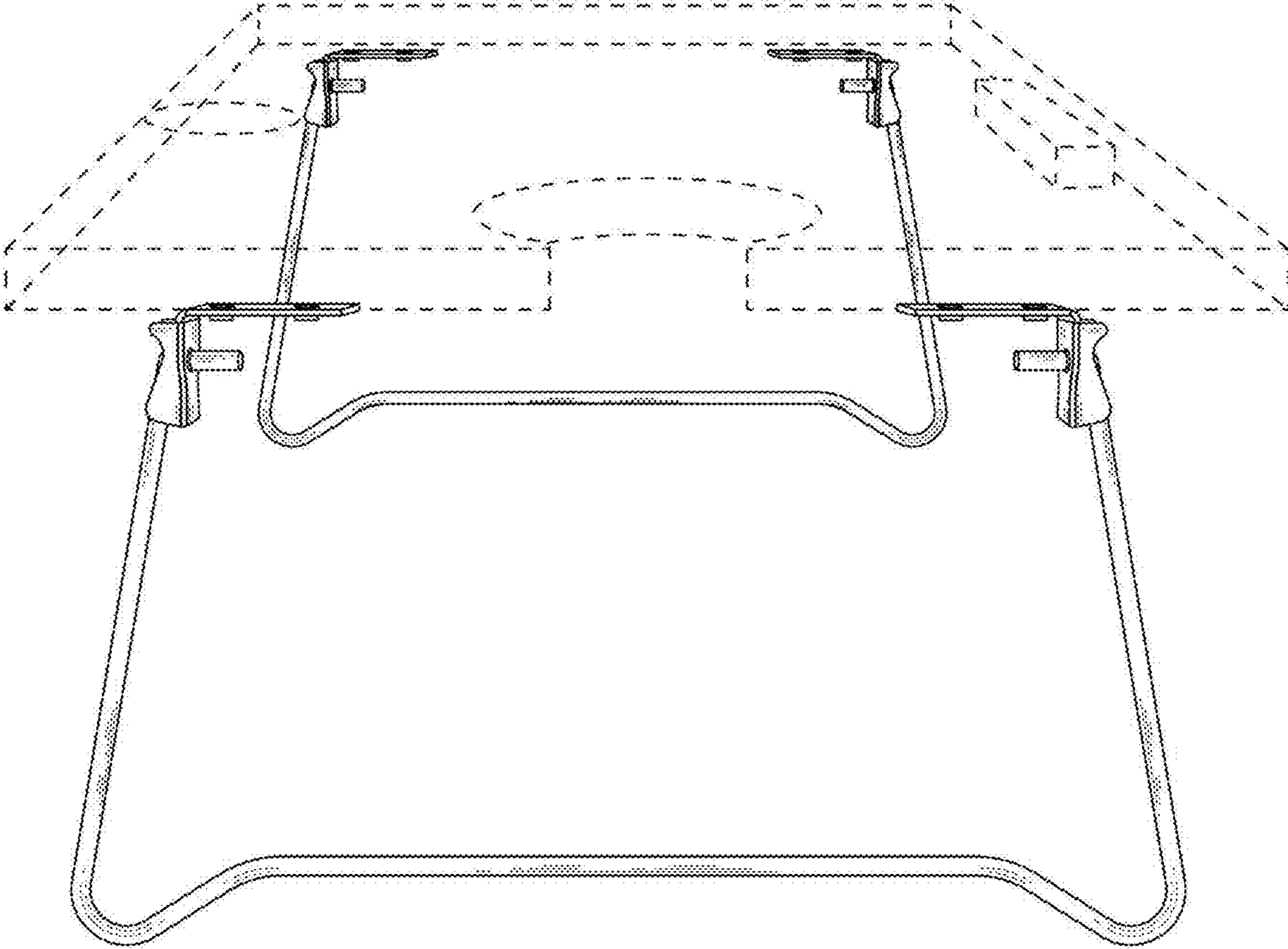


FIG.7