



US00D920021S

(12) **United States Design Patent**
Ben-Avi et al.

(10) **Patent No.:** **US D920,021 S**

(45) **Date of Patent:** **** May 25, 2021**

(54) **COMBINED COOLER AND TABLE**

(71) Applicant: **Keter Plastic Ltd.**, Herzliya (IL)

(72) Inventors: **Ehud Ben-Avi**, D.N. Emek Yizrael (IL); **Hadar Amiran**, Timrat (IL)

(73) Assignee: **Keter Plastic Ltd.**, Herzliya (IL)

(**) Term: **15 Years**

(21) Appl. No.: **29/700,359**

(22) Filed: **Aug. 1, 2019**

(30) **Foreign Application Priority Data**

Feb. 3, 2019 (IL) 63287

(51) **LOC (13) Cl.** **06-03**

(52) **U.S. Cl.**
USPC **D6/686**

(58) **Field of Classification Search**
USPC D6/336–338, 667, 668, 685–687, 695.2;
D7/608
CPC A47B 37/00; A47B 97/00; A47B 69/00
See application file for complete search history.

(56) **References Cited**

U.S. PATENT DOCUMENTS

2,079,225 A * 5/1937 Sabaneeff A47B 69/00
312/271
D122,762 S * 10/1940 Arnold D7/608
D157,637 S * 3/1950 Shawyer D7/608
2,895,311 A * 7/1959 Spalvins F25D 25/00
62/258
D194,074 S * 11/1962 Schladermundt D7/608
3,308,636 A * 3/1967 Schaaf F25D 3/08
62/400

(Continued)

OTHER PUBLICATIONS

“YouTube—KETER—Go Bar.” Found online Jan. 12, 2021 at www.youtube.com. Video published Mar. 31, 2020. Retrieved from URL: https://www.youtube.com/watch?v=FFGkGBPNBp8 (Year: 2020).*

(Continued)

Primary Examiner — Mary Ann Calabrese

Assistant Examiner — Katelin G Kloberg

(74) *Attorney, Agent, or Firm* — Vorys, Sater, Seymour & Pease LLP; William Klima

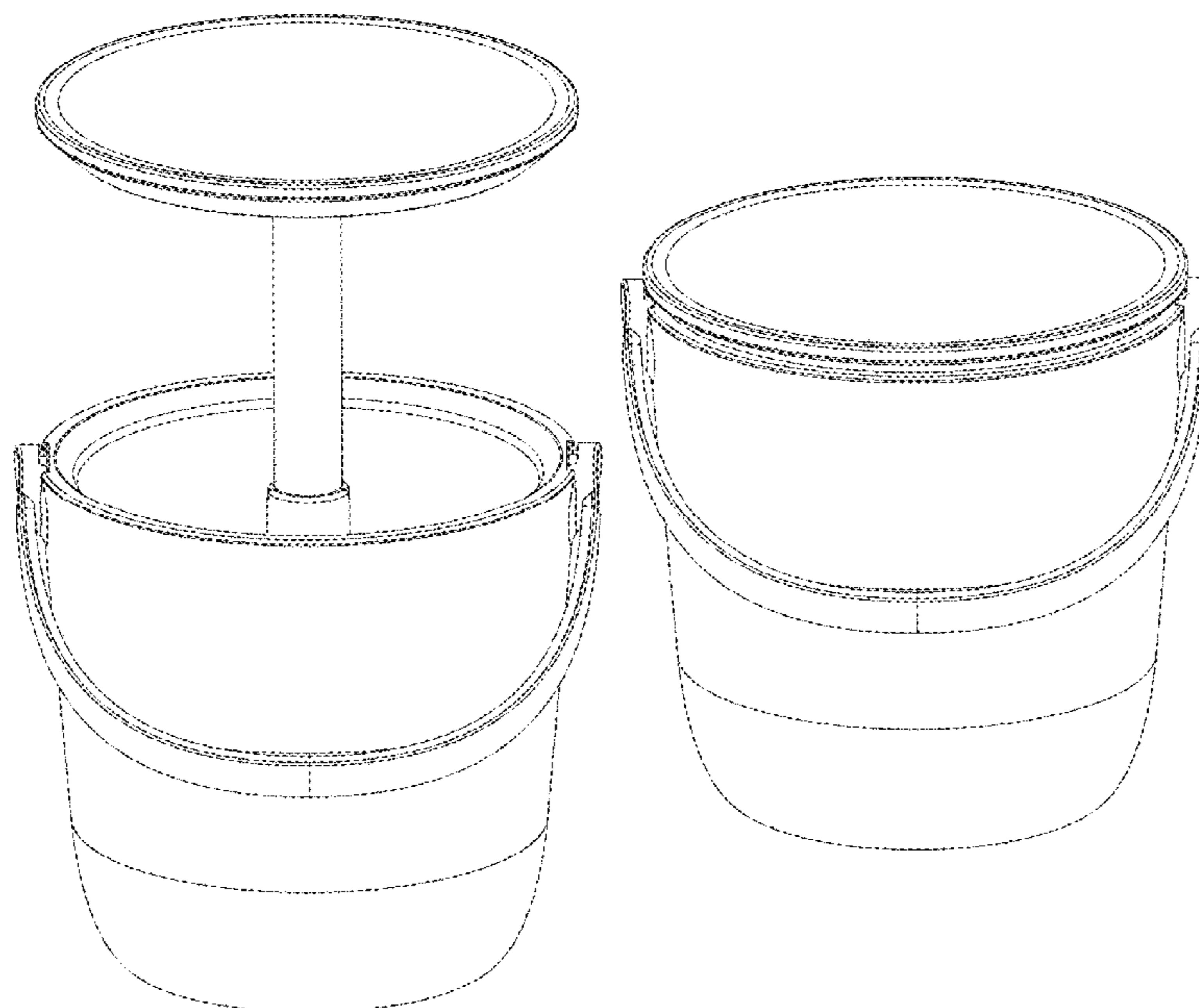
(57) **CLAIM**

The ornamental design for a combined cooler and table, as shown and described.

DESCRIPTION

FIG. 1 is a top perspective view of a combined cooler and table, showing my new design in an open position; FIG. 2 is a top perspective view, shown in a closed position; FIG. 3 is a bottom perspective view, shown in an open position; FIG. 4 is a bottom perspective view, shown in a closed position; FIG. 5 is a front elevation view, shown in an open position; FIG. 6 is a front elevation view, shown in a closed position; FIG. 7 is a rear elevation view, shown in an open position; FIG. 8 is a rear elevation view, shown in a closed position; FIG. 9 is a right side elevation view, shown in an open position with the left side view being a mirror image thereof; FIG. 10 is a right side elevation view, shown in a closed position with the left side view being a mirror image thereof; FIG. 11 is a top plan view thereof; and, FIG. 12 is a bottom plan view thereof.

1 Claim, 12 Drawing Sheets



(56)

References Cited

U.S. PATENT DOCUMENTS

3,695,742 A * 10/1972 Allen A47B 69/00
 312/237
 D231,764 S * 6/1974 Roche D7/608
 D261,088 S * 10/1981 Akimov D7/608
 4,794,868 A * 1/1989 Adler A47B 9/10
 108/146
 D316,639 S * 5/1991 Adler D6/686
 D323,267 S * 1/1992 Bidwell D6/351
 D530,141 S * 10/2006 Wilgus D7/313
 D574,668 S * 8/2008 Kelly D22/136
 D590,632 S * 4/2009 Zak D6/668
 7,908,977 B2 * 3/2011 Zak A47B 31/02
 108/26
 D677,073 S * 3/2013 Zak D6/686
 D722,474 S * 2/2015 Seiders D7/605
 D722,833 S * 2/2015 Miller D7/605
 D741,115 S * 10/2015 Lane D7/630
 D772,588 S * 11/2016 Kim D6/337
 D803,604 S * 11/2017 Arditì D6/667

D812,981 S * 3/2018 Cooper D7/608
 D820,649 S * 6/2018 Sisson D7/607
 D831,435 S * 10/2018 Zhang D7/608
 D878,873 S * 3/2020 Johnson D7/608
 2009/0101046 A1 * 4/2009 Zak A47B 31/02
 108/12
 2009/0229293 A1 * 9/2009 Kim F25D 31/007
 62/264

OTHER PUBLICATIONS

“Keter Go Bar 4.2 Gallon.” Found online Jan. 12, 2021 at www.amazon.com. Product reviewed Aug. 27, 2020. Retrieved from URL: <https://www.amazon.com/gp/product/B08FMWCC9J?tag=dudeprodbtnt-20&th=1> (Year: 2020).*

“Keter Go Bar—Portable Cooler with Pop-Up Table.” Found online Jan. 12, 2021 at www.dudiwantthat.com. Page dated Aug. 31, 2020. Retrieved from URL: <http://www.dudeiwantthat.com/gear/food-drink/keter-go-bar-portable-cooler-with-pop-up-table.asp> (Year: 2020).*

* cited by examiner

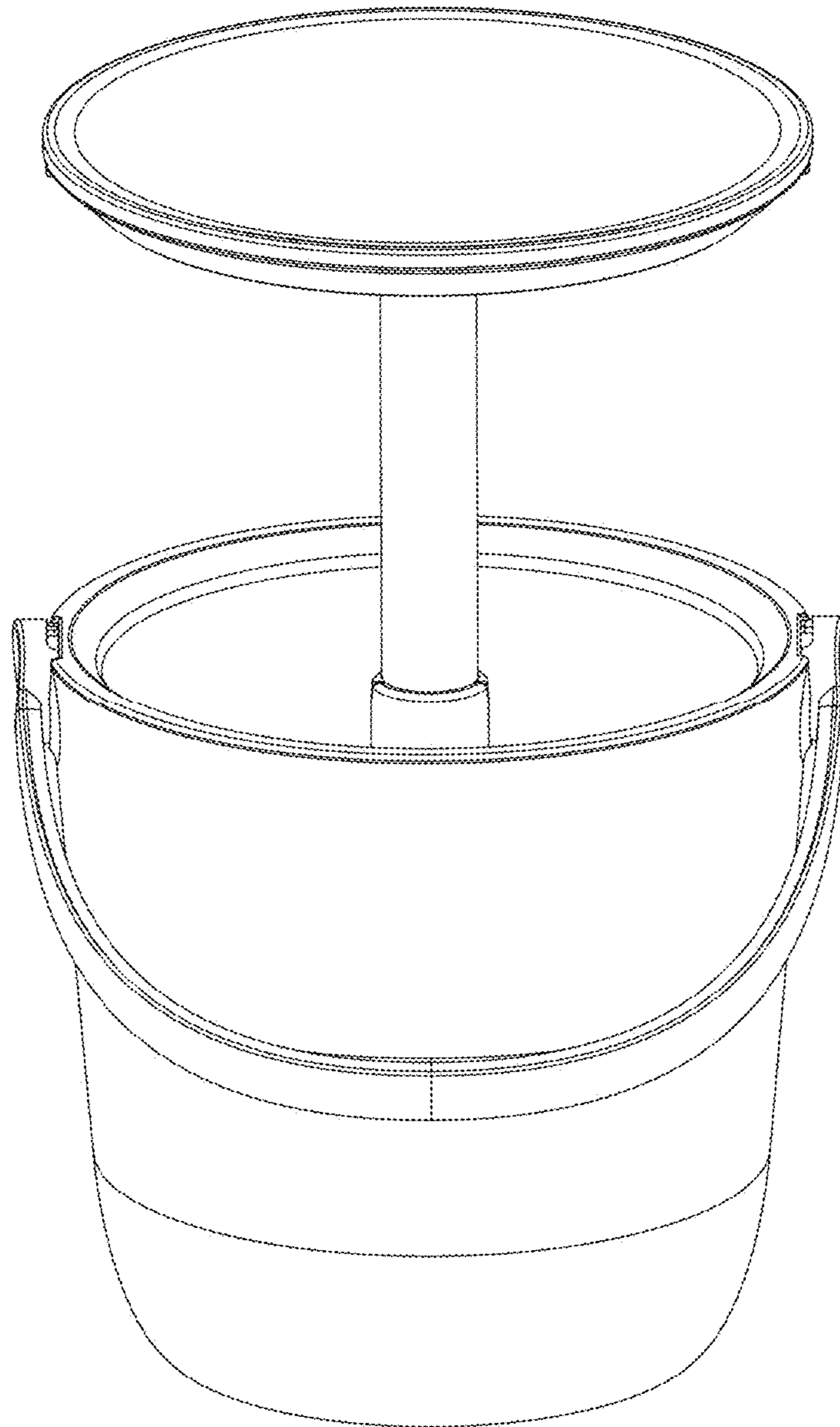


FIG. 1

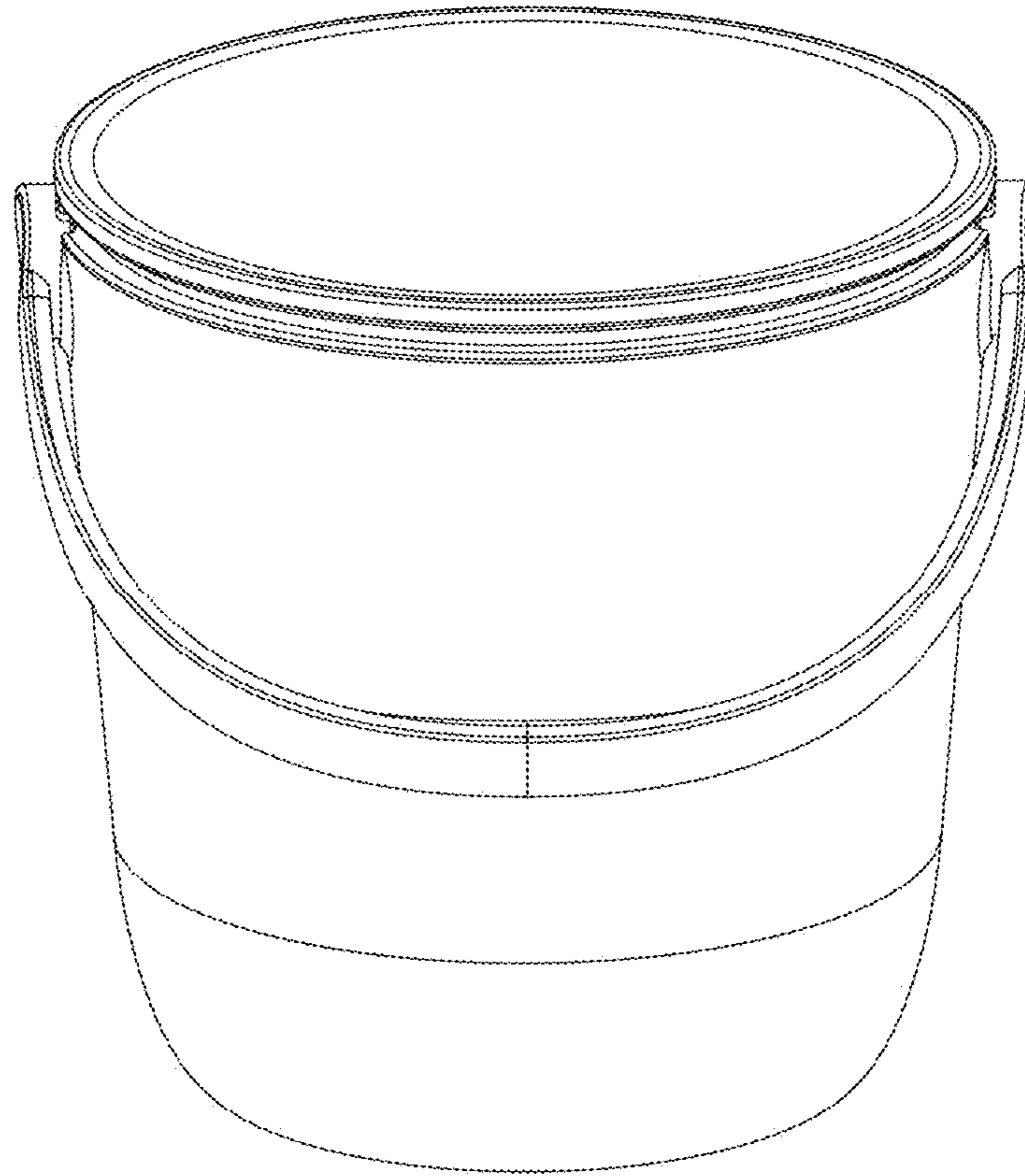


FIG. 2

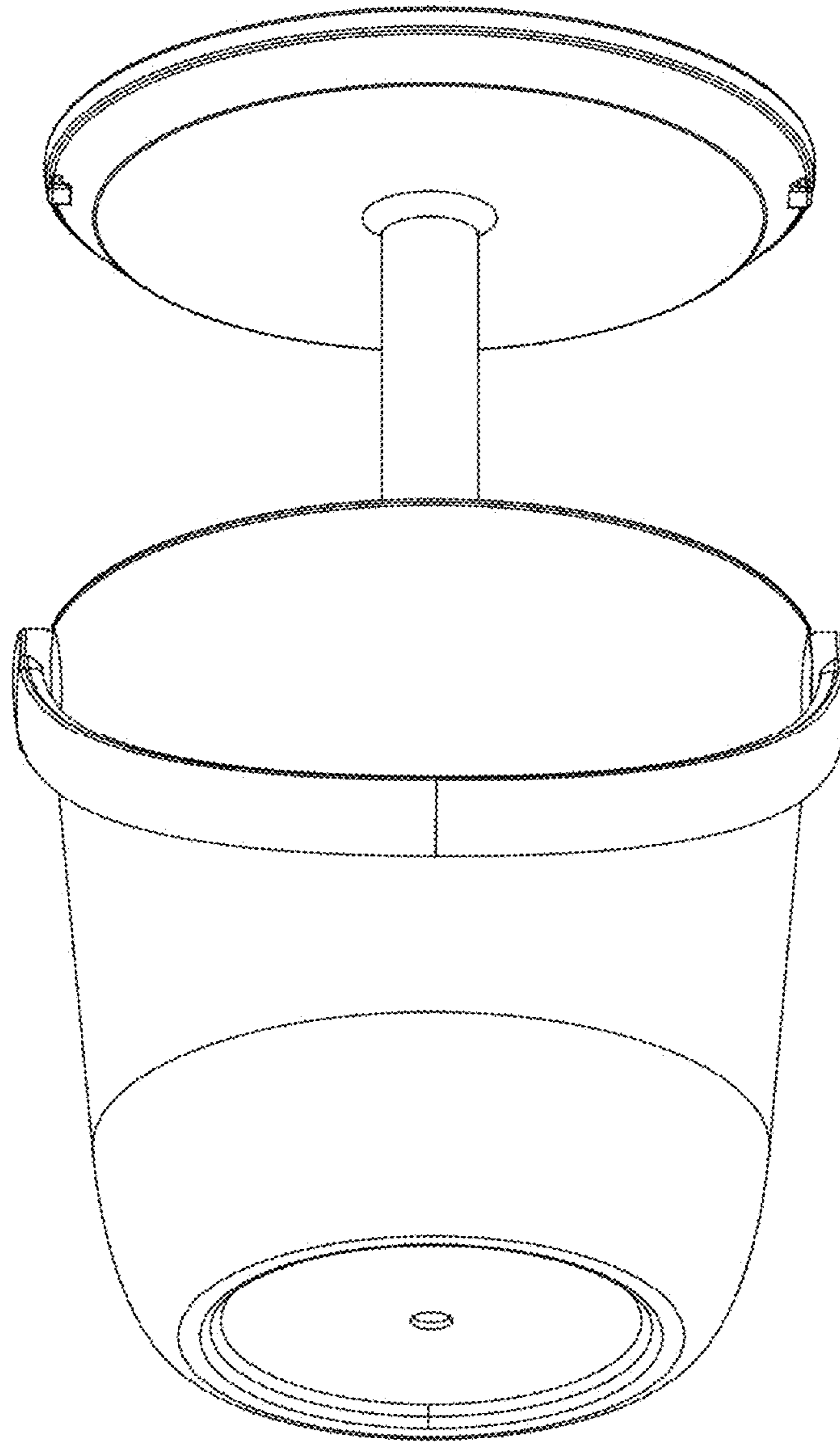


FIG. 3

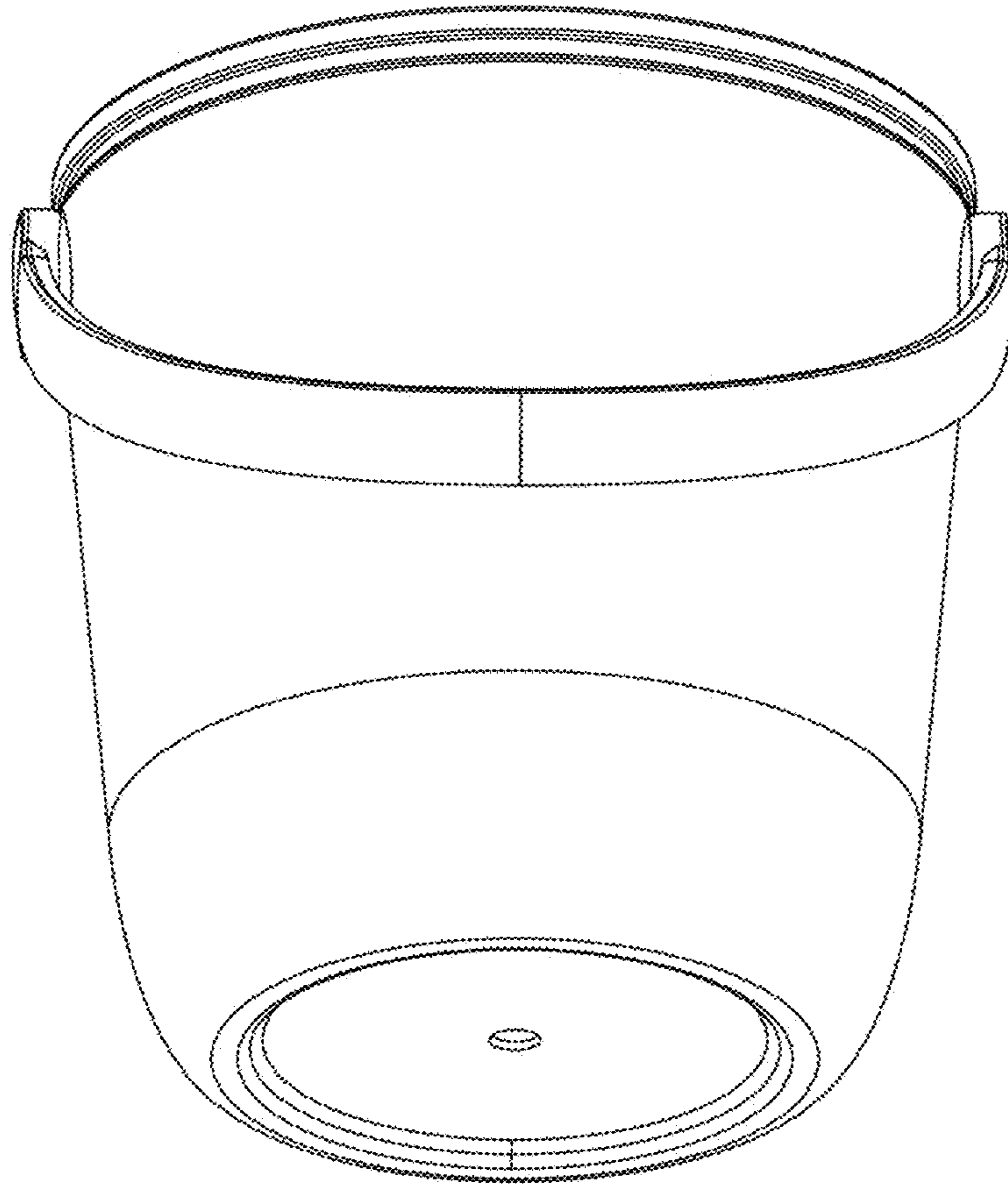


FIG. 4

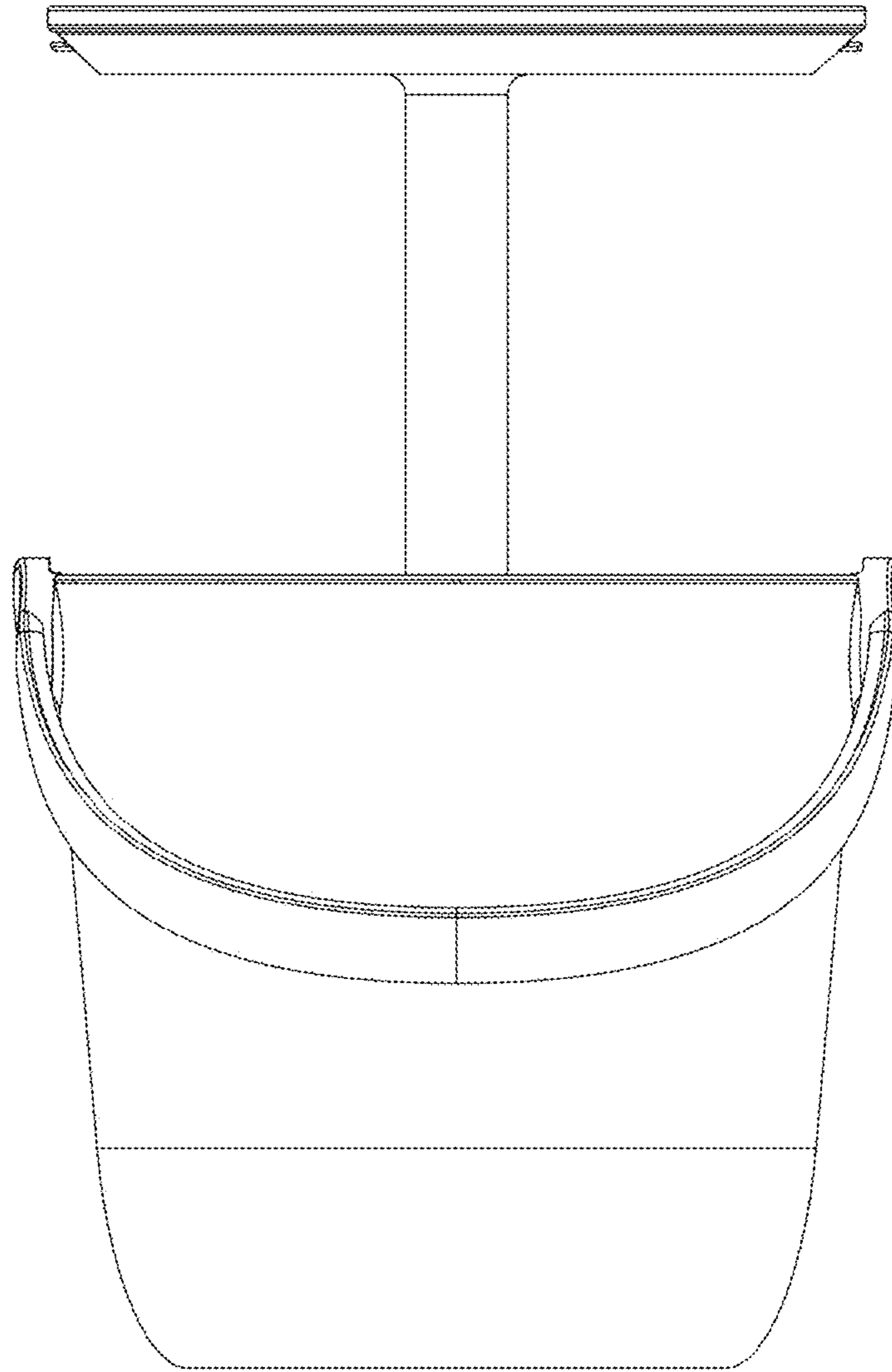


FIG. 5

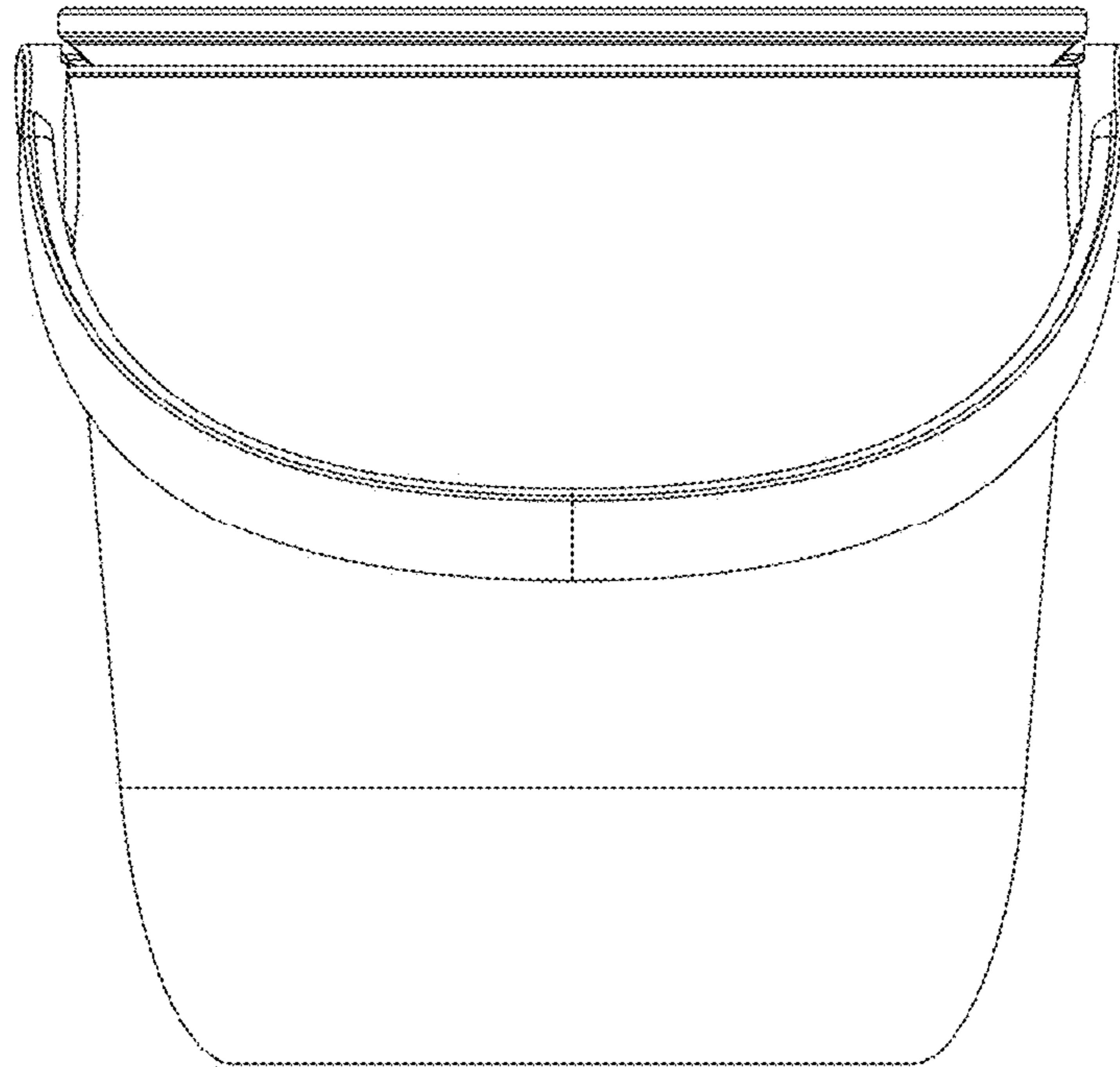


FIG. 6

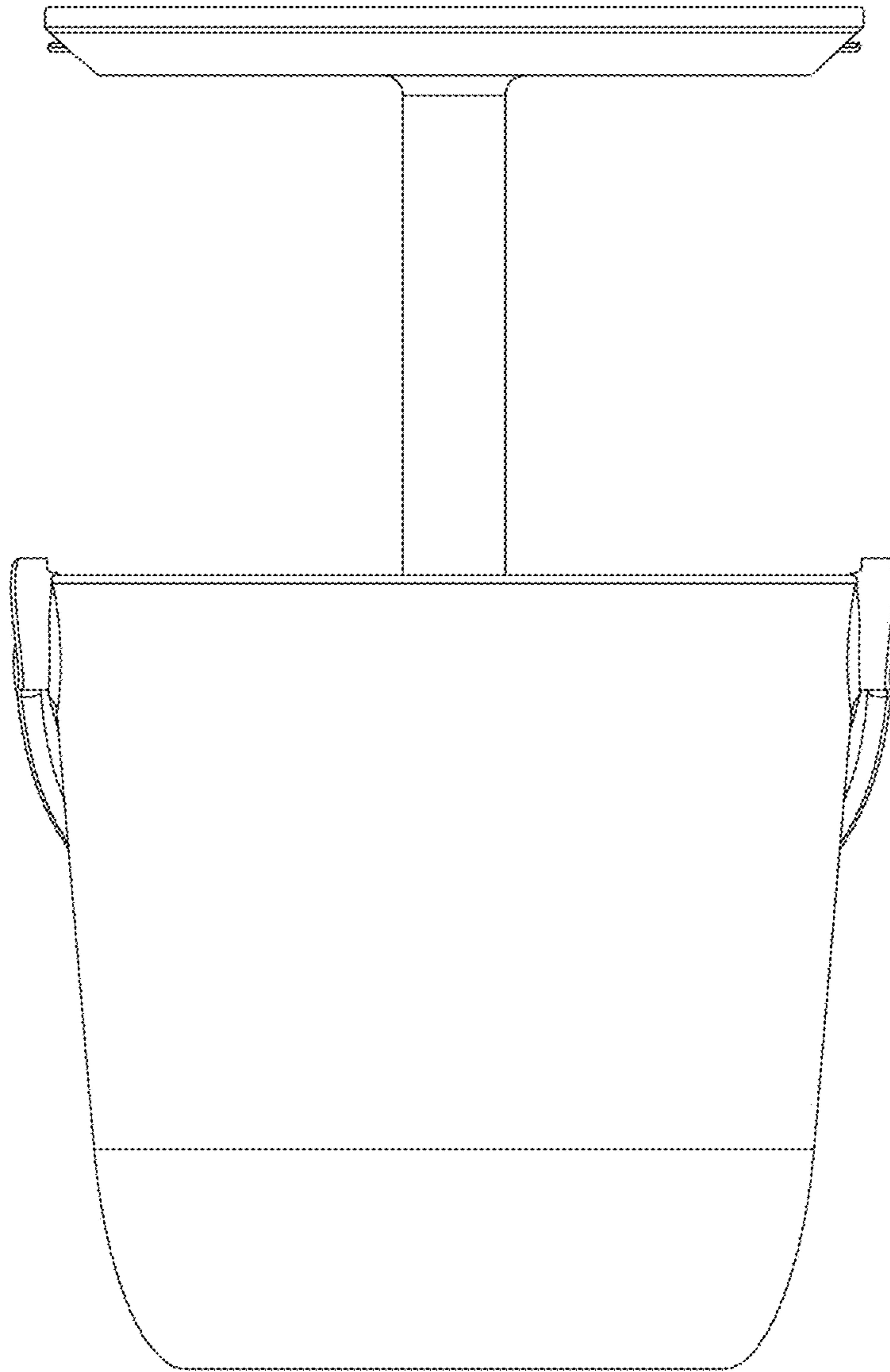


FIG. 7

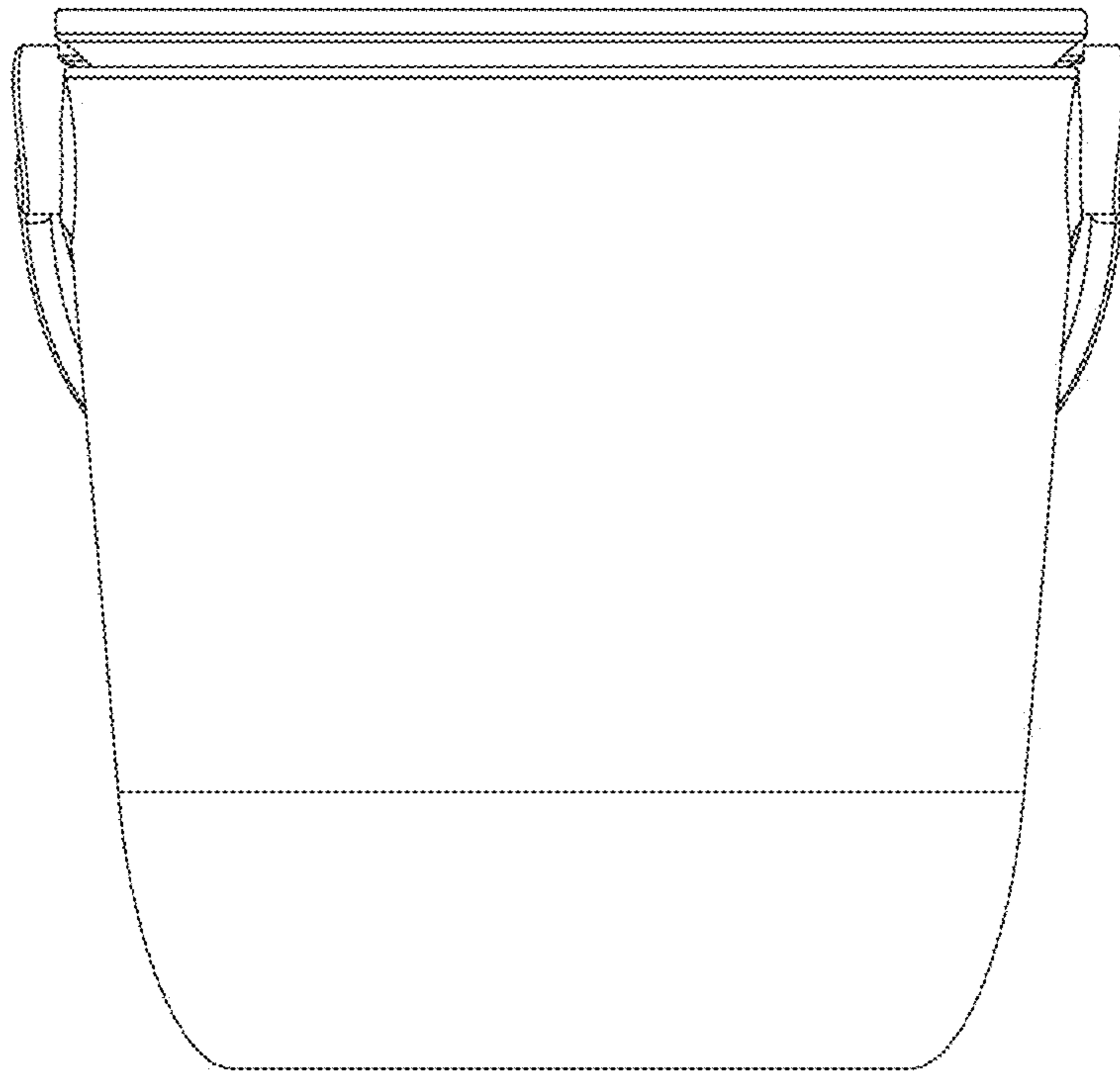


FIG. 8

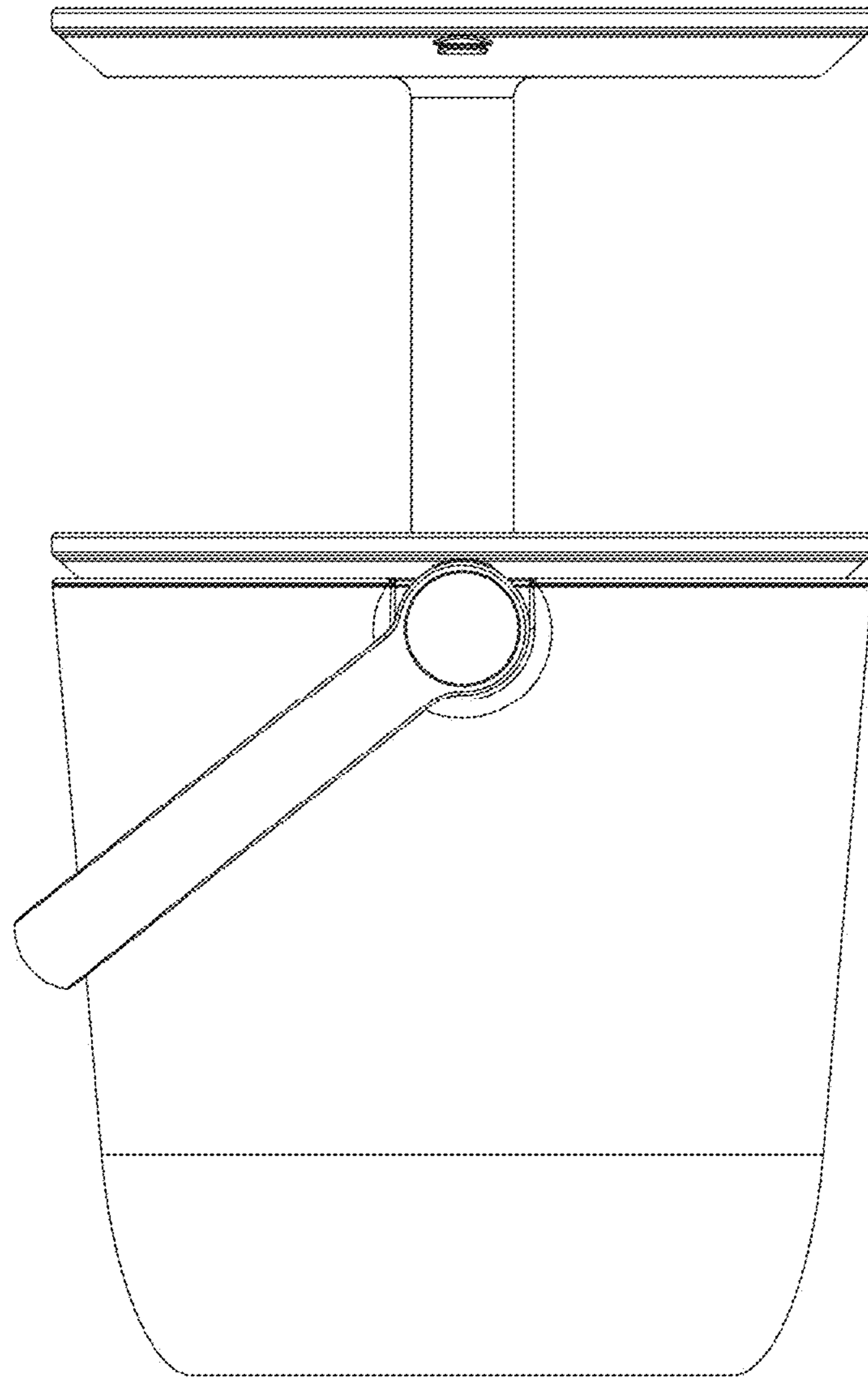


FIG. 9

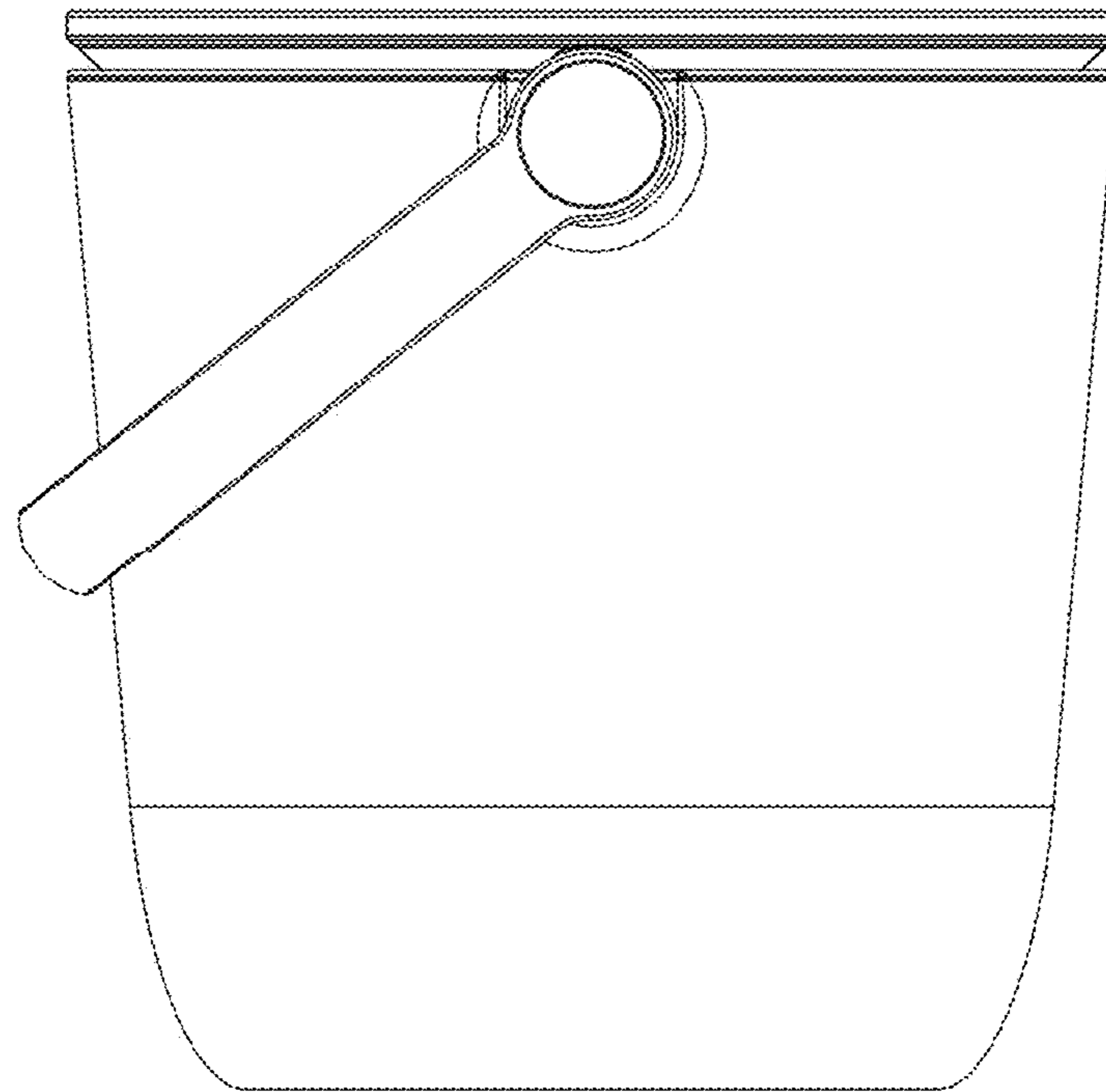


FIG. 10

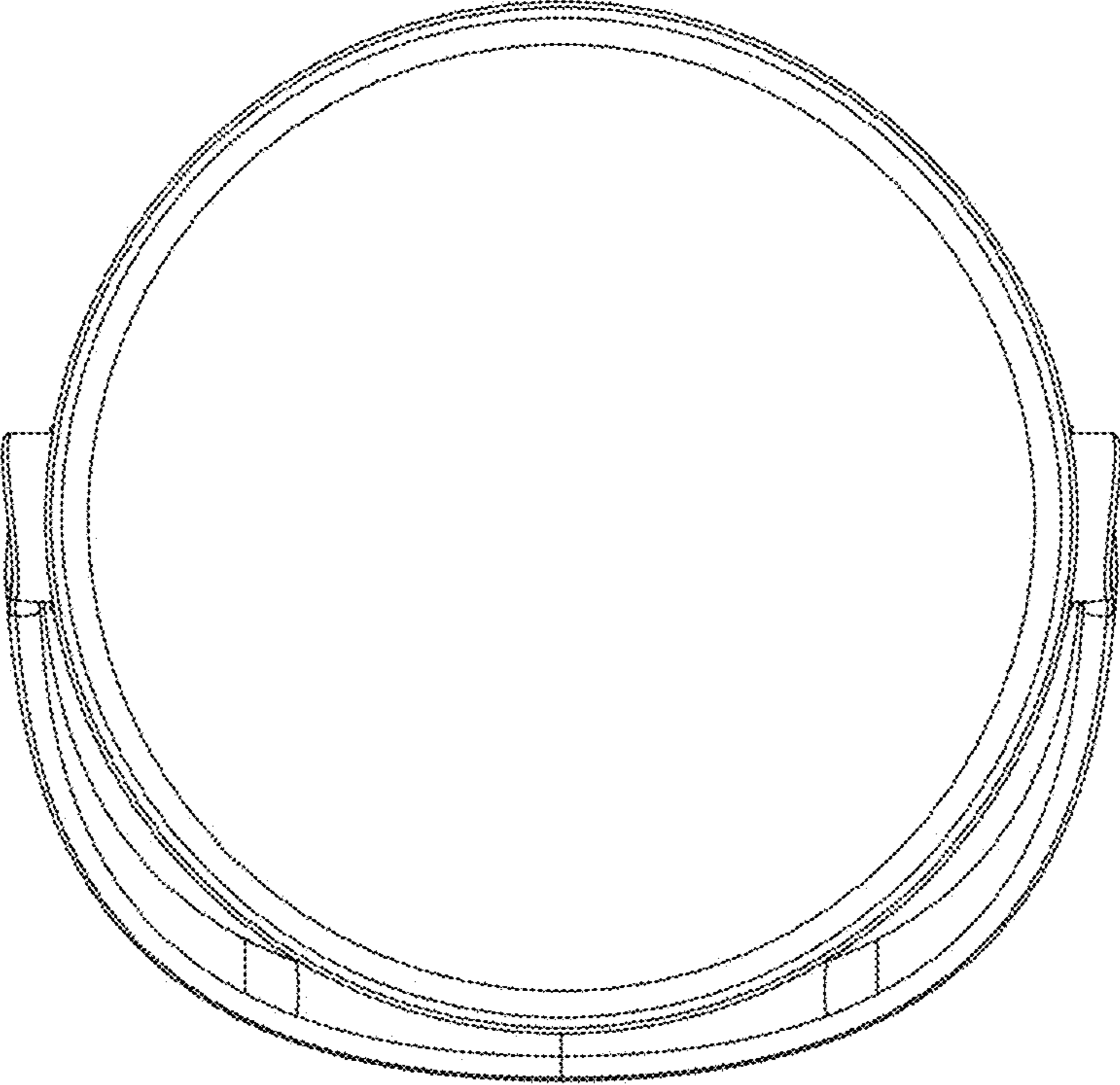


FIG. 11

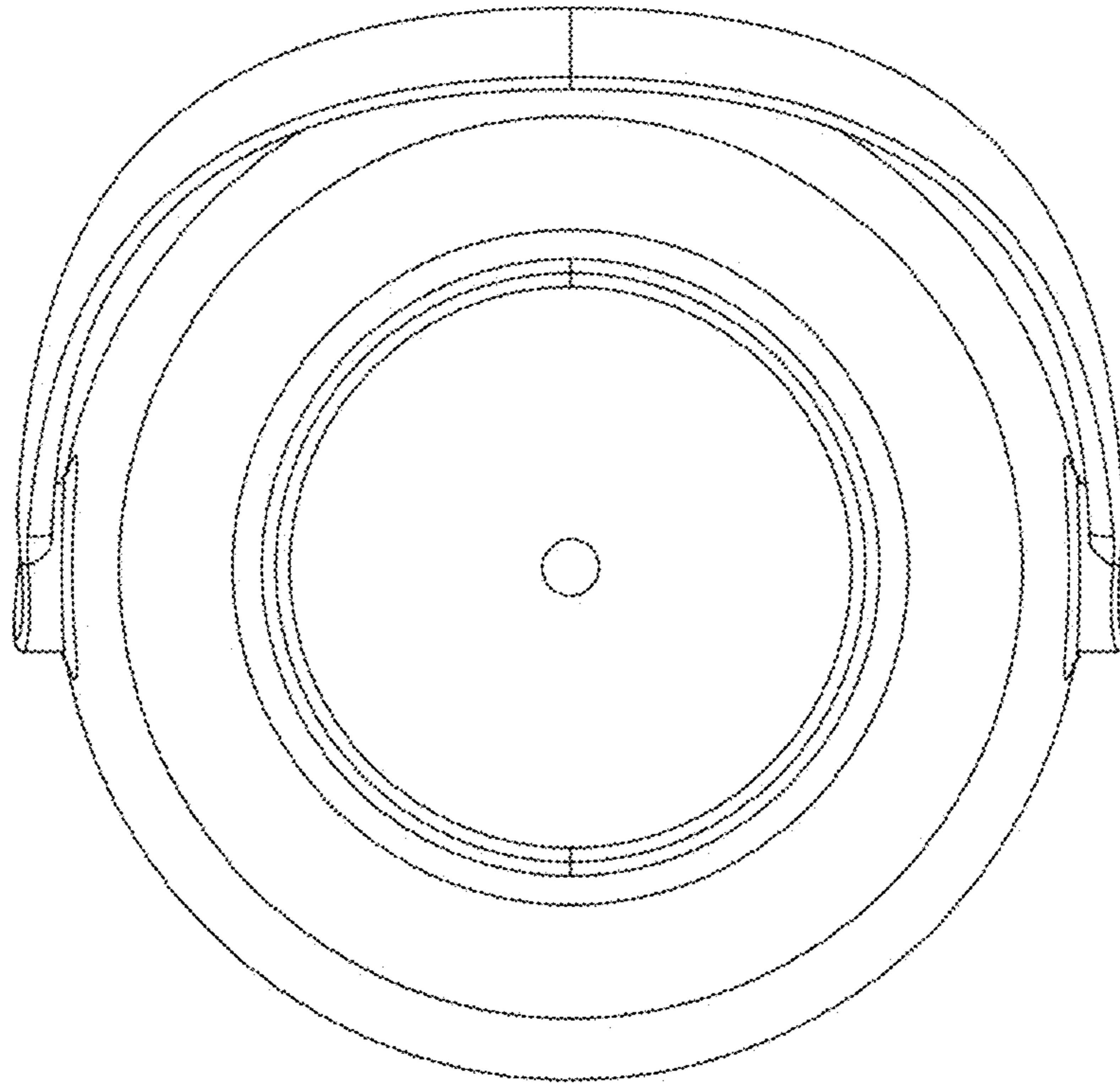


FIG. 12