



US00D920018S

(12) **United States Design Patent** (10) **Patent No.:** **US D920,018 S**
Cai (45) **Date of Patent:** **** May 25, 2021**

- (54) **CORNER SHELF**
- (71) Applicant: **Keqiang Cai**, Ruian (CN)
- (72) Inventor: **Keqiang Cai**, Ruian (CN)
- (**) Term: **15 Years**
- (21) Appl. No.: **29/756,508**
- (22) Filed: **Oct. 29, 2020**
- (51) **LOC (13) Cl.** **06-06**
- (52) **U.S. Cl.**
 USPC **D6/676.1**
- (58) **Field of Classification Search**
 USPC D6/672, 673, 675, 675.1, 676, 676.1,
 D6/677, 677.1, 702, 705, 512; D7/601,
 D7/602
 CPC A47J 47/16; A47F 5/0018; A47F 5/0043;
 A47F 5/04; A47F 5/08; A47B 23/04
 See application file for complete search history.

D690,967 S	10/2013	Goodman et al.	
D713,181 S *	9/2014	Cohen	D6/676.1
D723,310 S	3/2015	Goodman et al.	
D741,092 S	10/2015	Goodman et al.	
D861,397 S *	10/2019	Cohen	D6/676.1
D878,117 S *	3/2020	Gelman	D6/676.1
D885,093 S *	5/2020	Gelman	D6/676.1
D907,414 S *	1/2021	Li	D6/676.1

* cited by examiner

Primary Examiner — Kelley A Donnelly
 (74) *Attorney, Agent, or Firm* — Rumit Ranjit Kanakia

(57) **CLAIM**

I claim the ornamental design for a corner shelf, as shown and described.

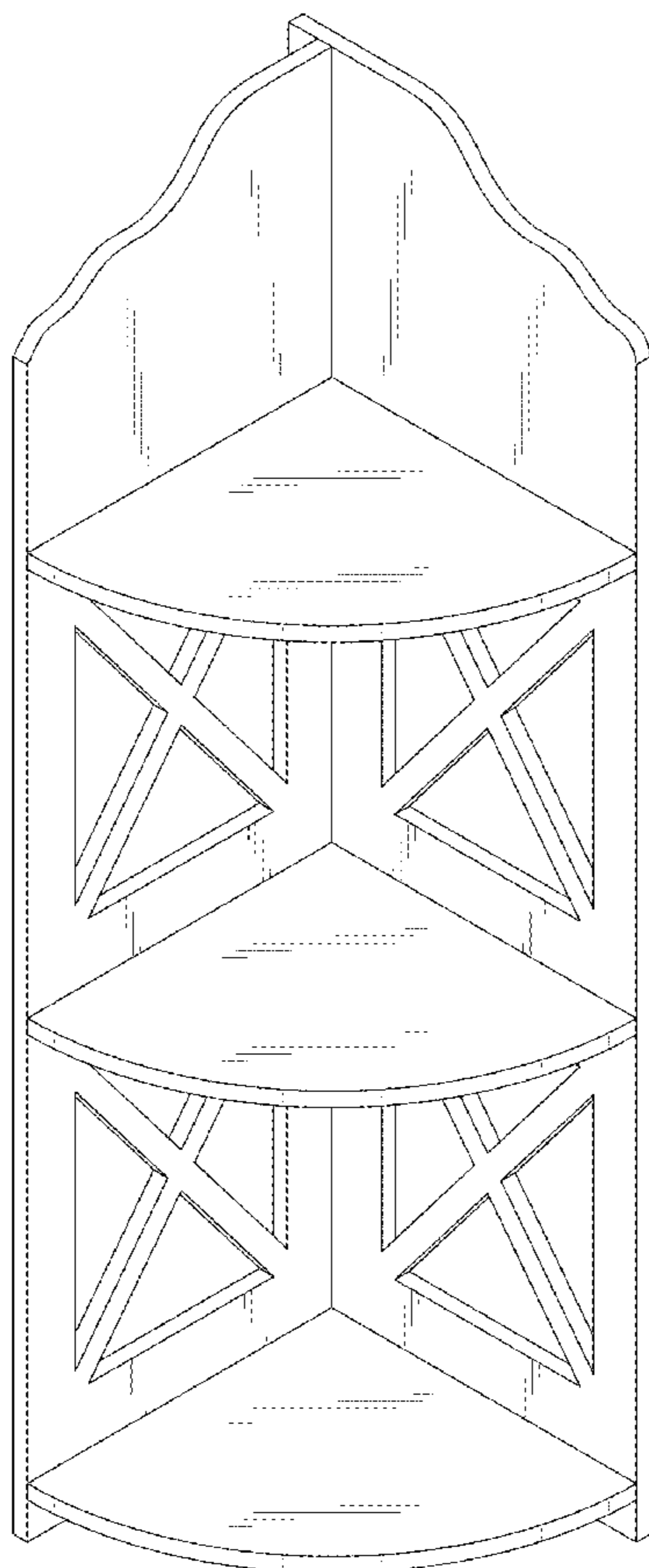
DESCRIPTION

FIG. 1 is a Perspective view of a corner shelf showing my new design;
 FIG. 2 is other perspective view thereof;
 FIG. 3 is a Front view thereof;
 FIG. 4 is a Back view thereof;
 FIG. 5 is a Right-side view thereof;
 FIG. 6 is a Left-side view thereof;
 FIG. 7 is a Top view thereof; and,
 FIG. 8 is a Bottom view thereof.

The broken lines are only for environmental purposes and form no part of the claimed design.

1 Claim, 7 Drawing Sheets

- (56) **References Cited**
- U.S. PATENT DOCUMENTS
- | | | | |
|--------------|---------|------------------|----------|
| D304,398 S * | 11/1989 | Goetz | D6/676.1 |
| D314,477 S * | 2/1991 | Richter | D6/676.1 |
| D316,345 S * | 4/1991 | Mo Yau Kee | D6/676.2 |
| D454,266 S * | 3/2002 | Kelley | D6/676.1 |
| D572,940 S | 7/2008 | Murray | |



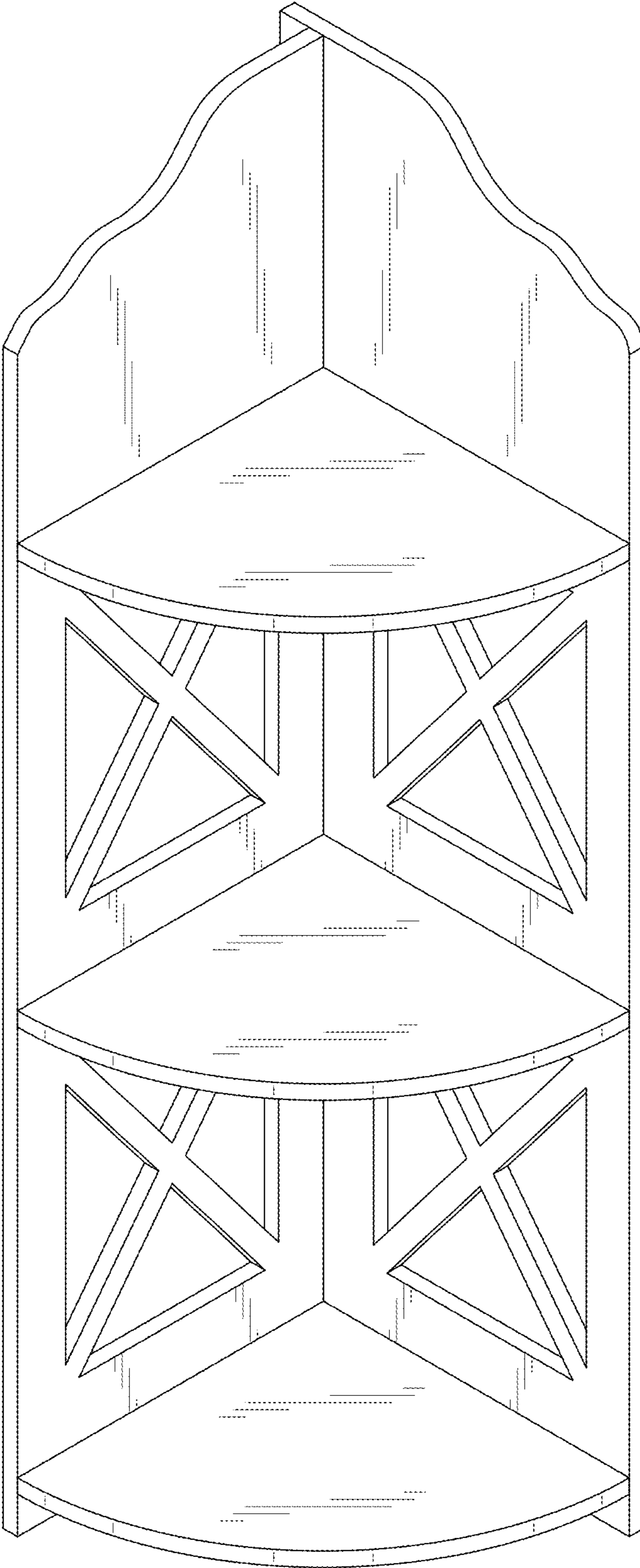


FIG. 1

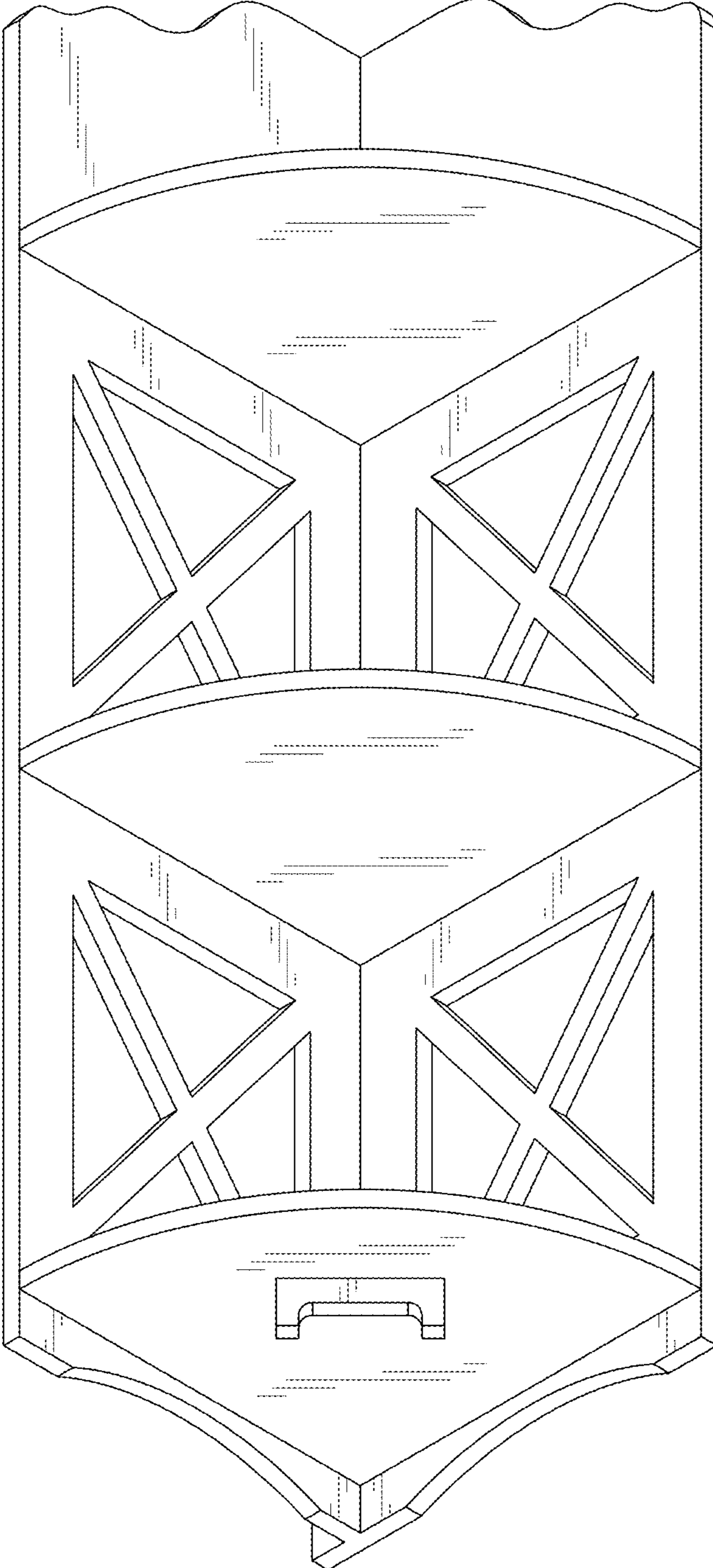


FIG. 2

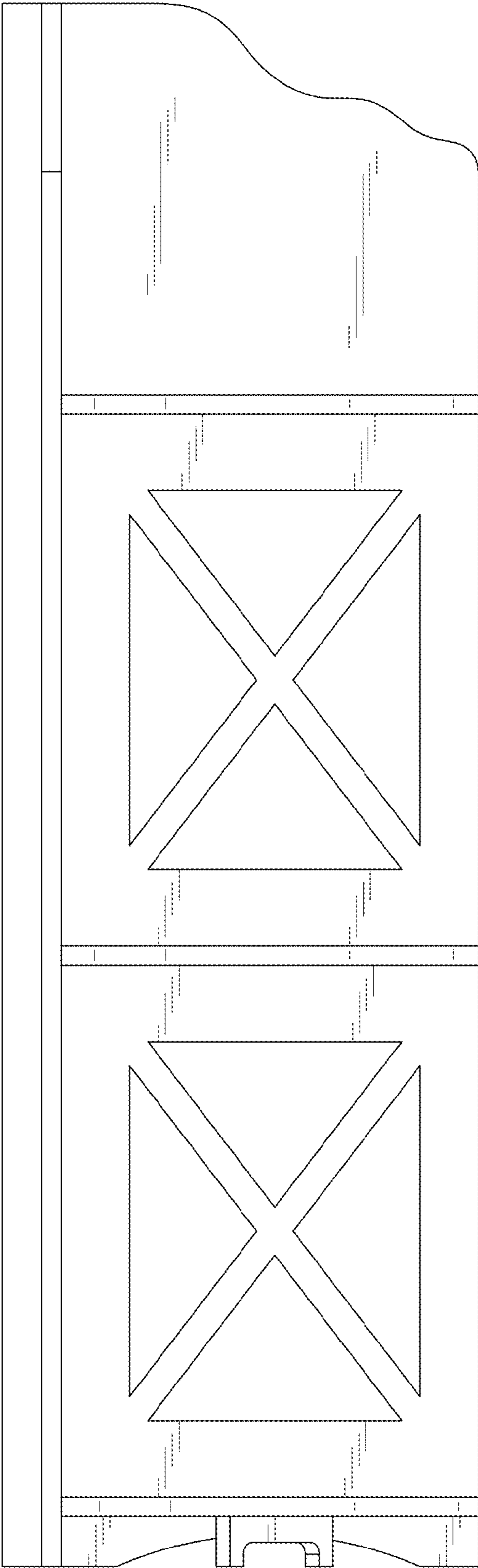


FIG. 3

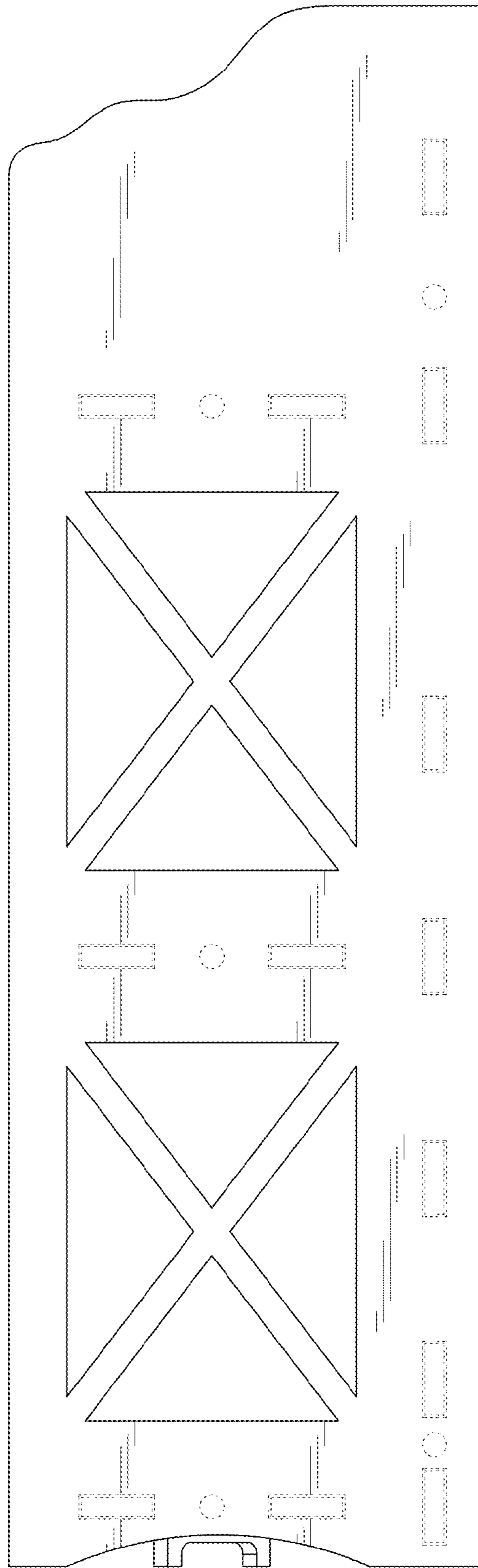


FIG. 4

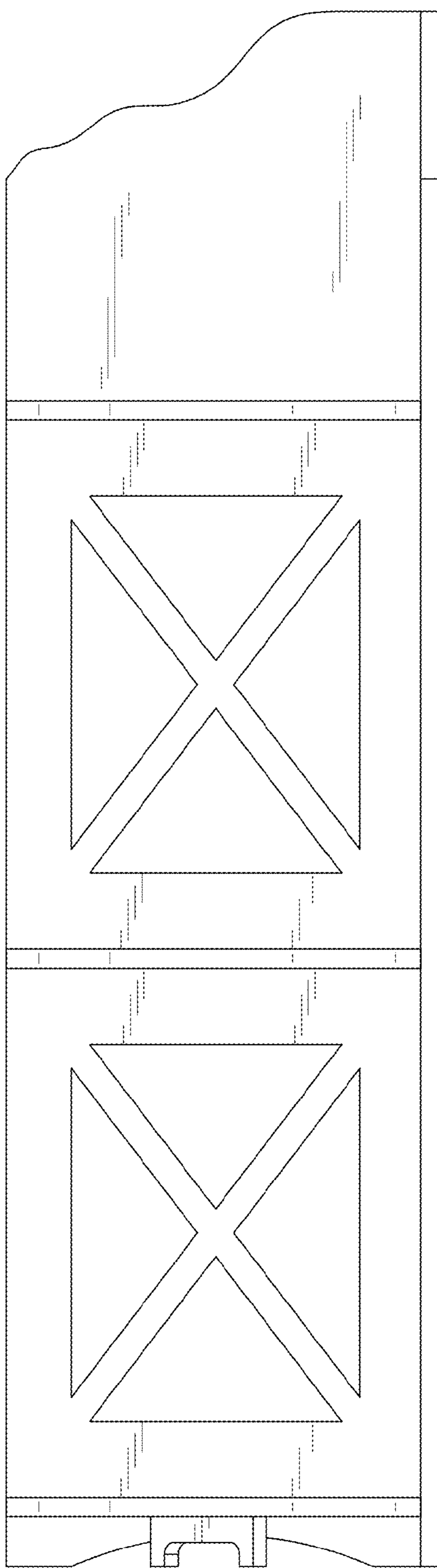


FIG. 5

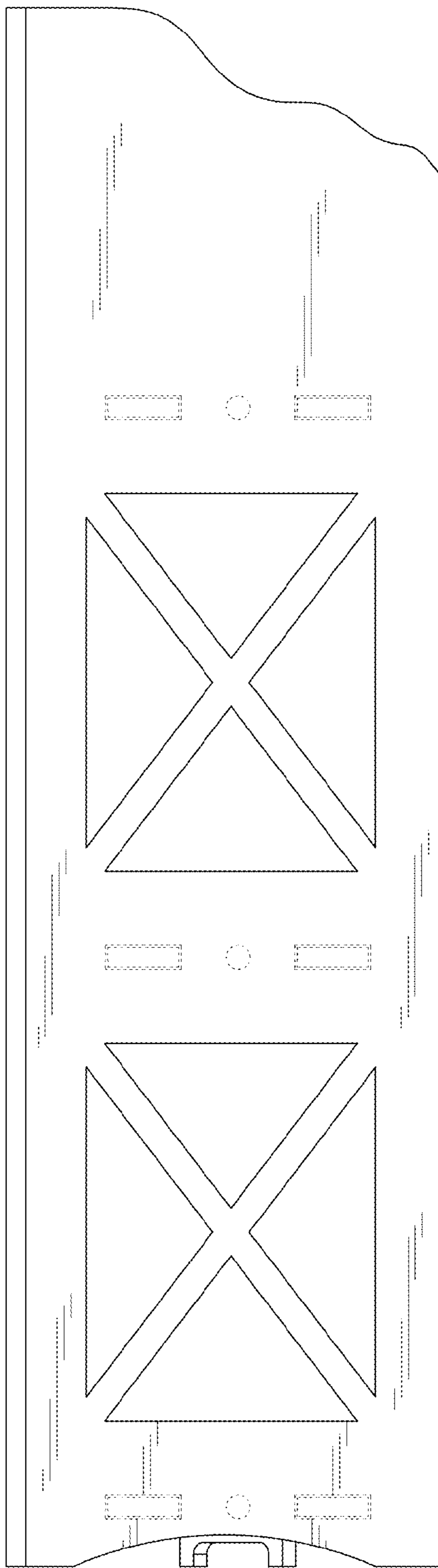


FIG. 6

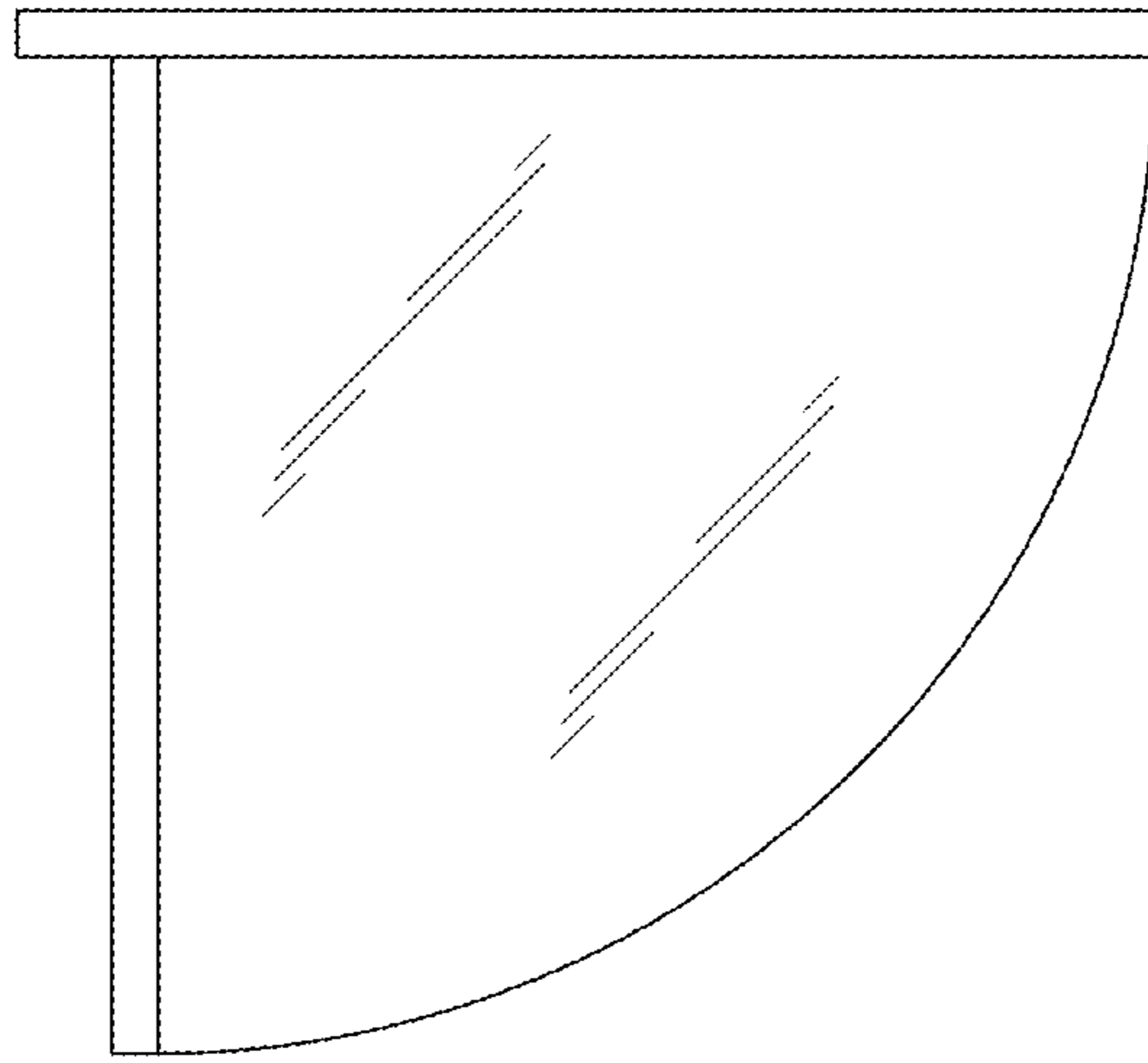


FIG. 7

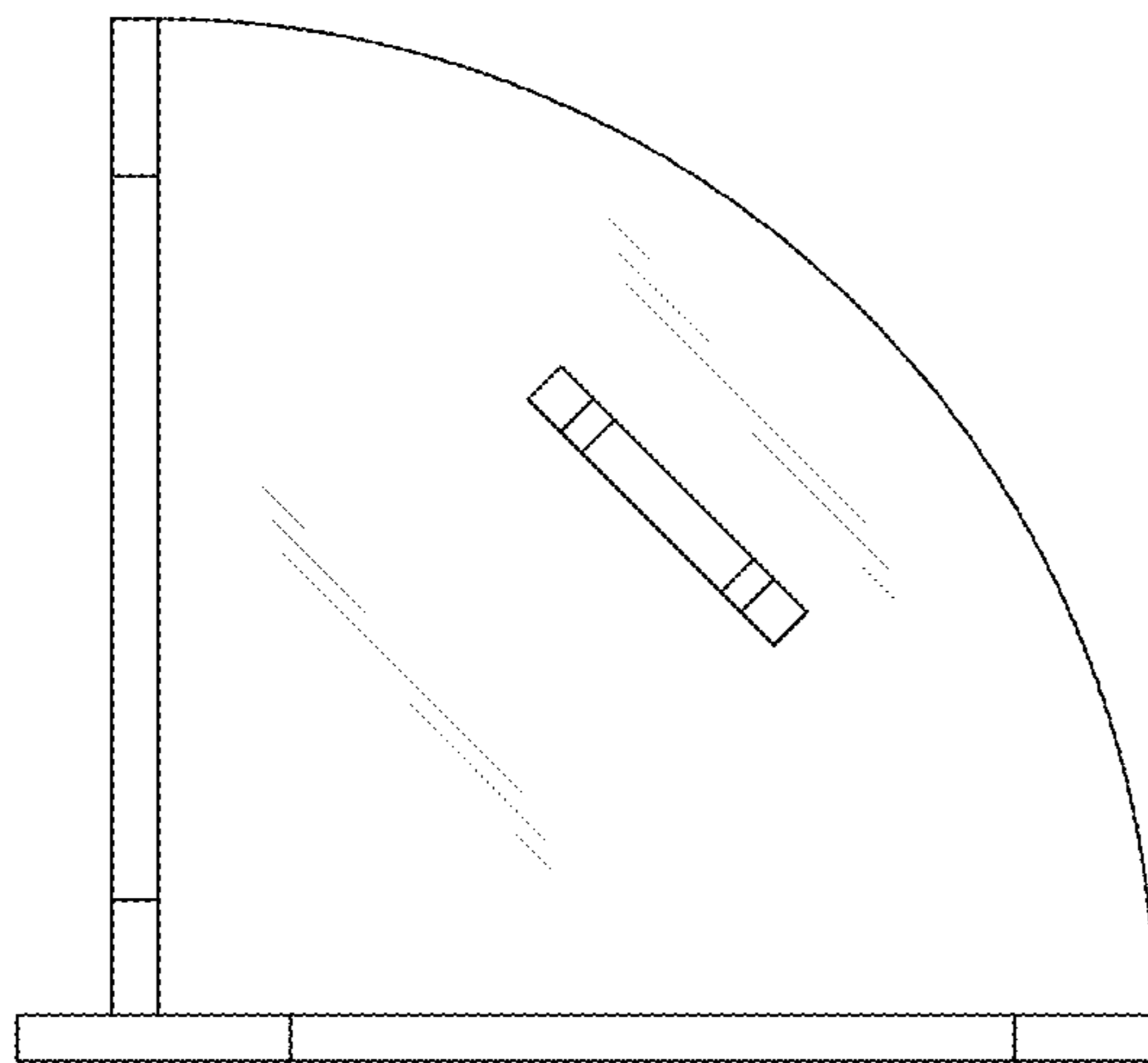


FIG. 8