



US00D920015S

(12) **United States Design Patent** (10) **Patent No.:** **US D920,015 S**
Ye (45) **Date of Patent:** **** May 25, 2021**

(54) **TV STAND**

(71) Applicant: **Junyi Ye**, Xiamen (CN)

(72) Inventor: **Junyi Ye**, Xiamen (CN)

(**) Term: **15 Years**

(21) Appl. No.: **29/753,267**

(22) Filed: **Sep. 30, 2020**

(51) **LOC (13) Cl.** **06-06**

(52) **U.S. Cl.**
USPC **D6/675.1**

(58) **Field of Classification Search**
USPC D6/672, 673, 675, 675.1, 682, 682.1,
D6/682.2, 705
CPC ... A47F 1/00; A47F 7/00; A47B 45/00; A47B
47/04; A47B 57/00; A47B 57/50; A47B
47/021; A47B 47/0083; A47B 47/0008;
A47B 96/02

See application file for complete search history.

(56) **References Cited**

U.S. PATENT DOCUMENTS

D363,841 S *	11/1995	Nourse	D6/675.1
D404,937 S *	2/1999	Tarlow	D6/675.1
D432,817 S *	10/2000	Gallien	D6/671
D466,333 S	12/2002	Hwang		
D587,484 S	3/2009	Domack et al.		
D616,226 S *	5/2010	Calco	D6/675.1
D620,283 S	7/2010	Calco		
D702,063 S	4/2014	Helser		
D773,862 S *	12/2016	Davis	D6/661
D829,026 S	9/2018	Davis et al.		
D835,437 S *	12/2018	Stukenberg	D6/675
D838,523 S *	1/2019	Yamamoto	D6/675.1
D845,041 S *	4/2019	Davis	D6/675
D848,770 S *	5/2019	Davis	D6/675.1
D863,843 S *	10/2019	Li	D6/675.1

D878,116 S *	3/2020	Davis	D6/675.1
D878,822 S *	3/2020	Davis	D6/661
D885,091 S *	5/2020	Davis	D6/675.3
D886,496 S *	6/2020	Davis	D6/675.3
D906,020 S *	12/2020	Davis	D6/657
2004/0237853 A1 *	12/2004	Sholz	A47B 96/1441 108/107

OTHER PUBLICATIONS

https://www.amazon.com/LVB-Entertainment-Industrial-Farmhouse-Television/dp/B08998HD12/ref=sr_1_1?dchild=1&keywords=B08998HD12&qid=1596587940&sr=8-1; May 28, 2020.

* cited by examiner

Primary Examiner — Kelley A Donnelly

(74) *Attorney, Agent, or Firm* — Rumit Ranjit Kanakia

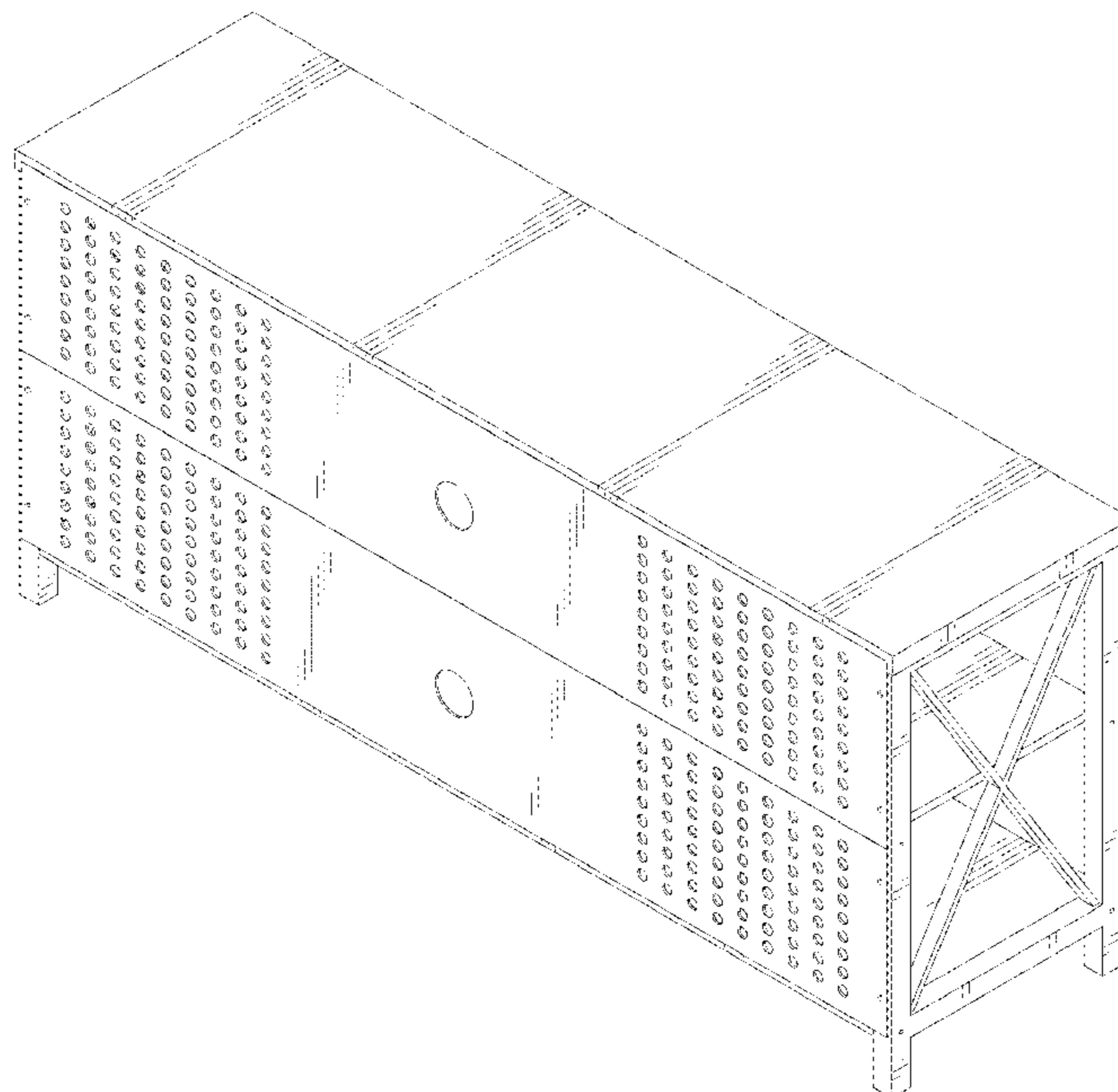
(57) **CLAIM**

I claim the ornamental design for a TV stand, as shown and described.

DESCRIPTION

FIG. 1 is a Perspective view of a TV stand showing my new design;
FIG. 2 is Back Perspective view thereof;
FIG. 3 is a Front view thereof;
FIG. 4 is a Back view thereof;
FIG. 5 is a Right-side view thereof;
FIG. 6 is a Left-side view thereof;
FIG. 7 is a Top view thereof; and,
FIG. 8 is a Bottom view thereof.
The broken lines are for the purpose of illustrating portions of the article that form no part of the claim.

1 Claim, 8 Drawing Sheets



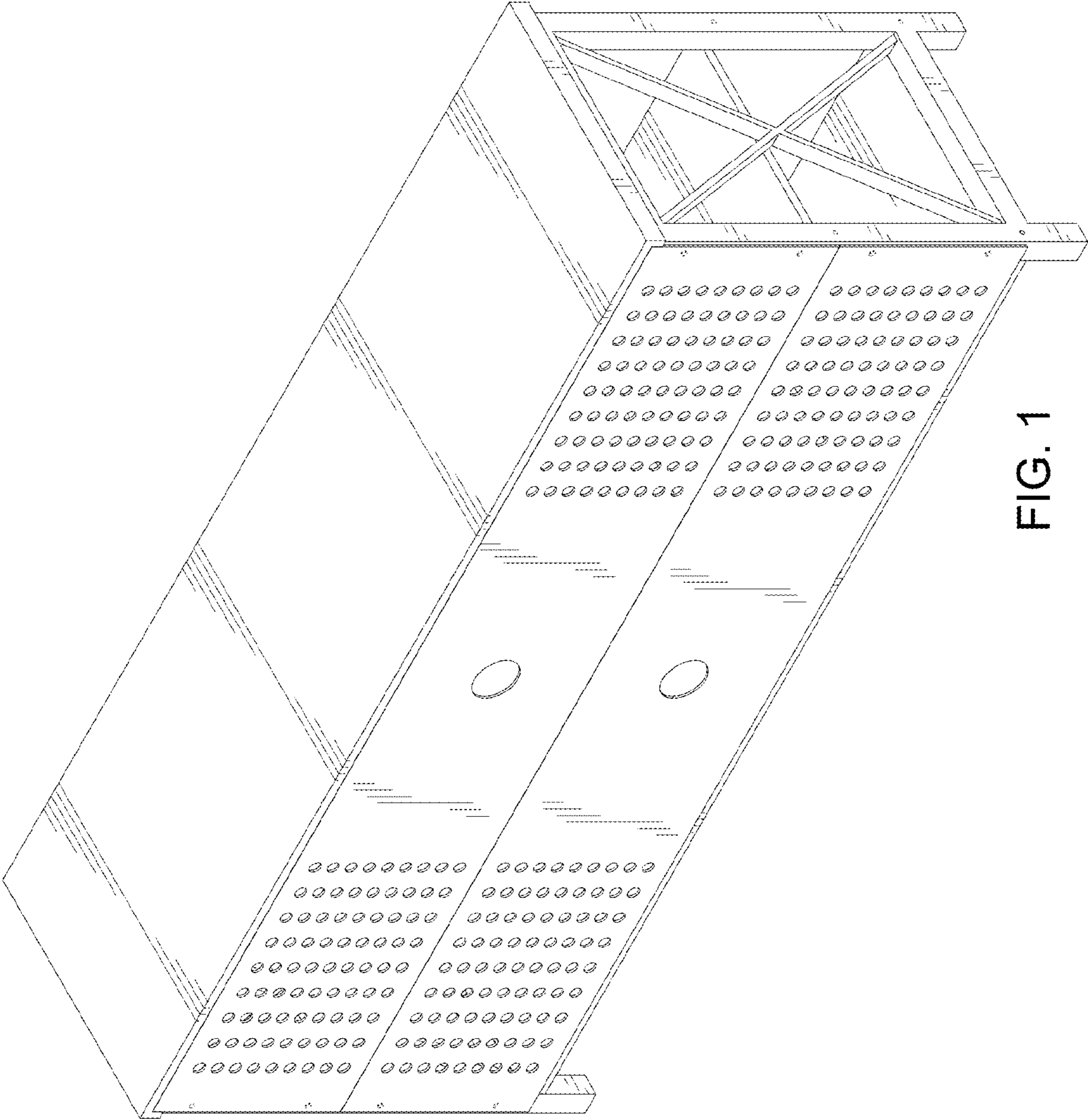


FIG. 1

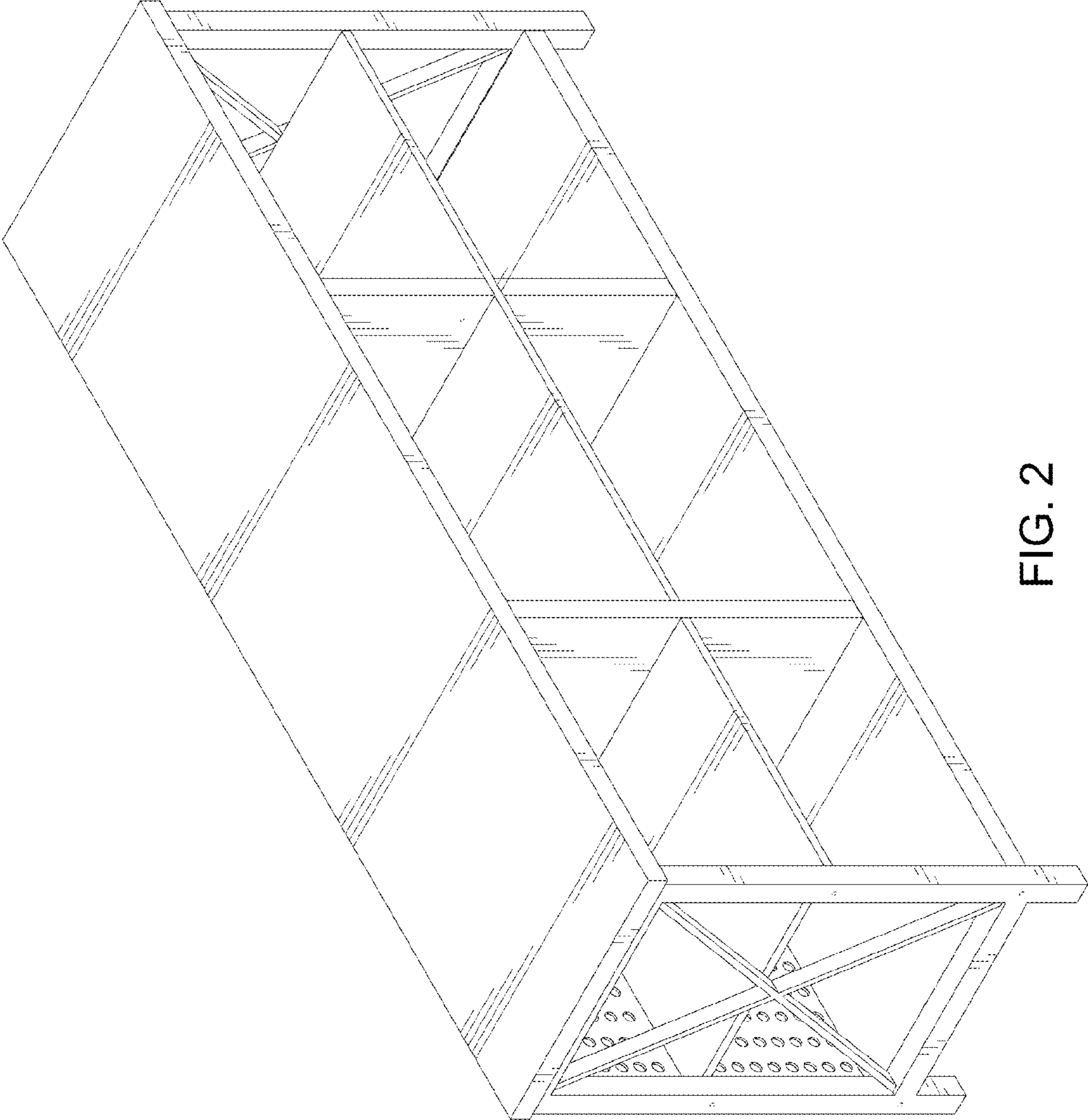


FIG. 2

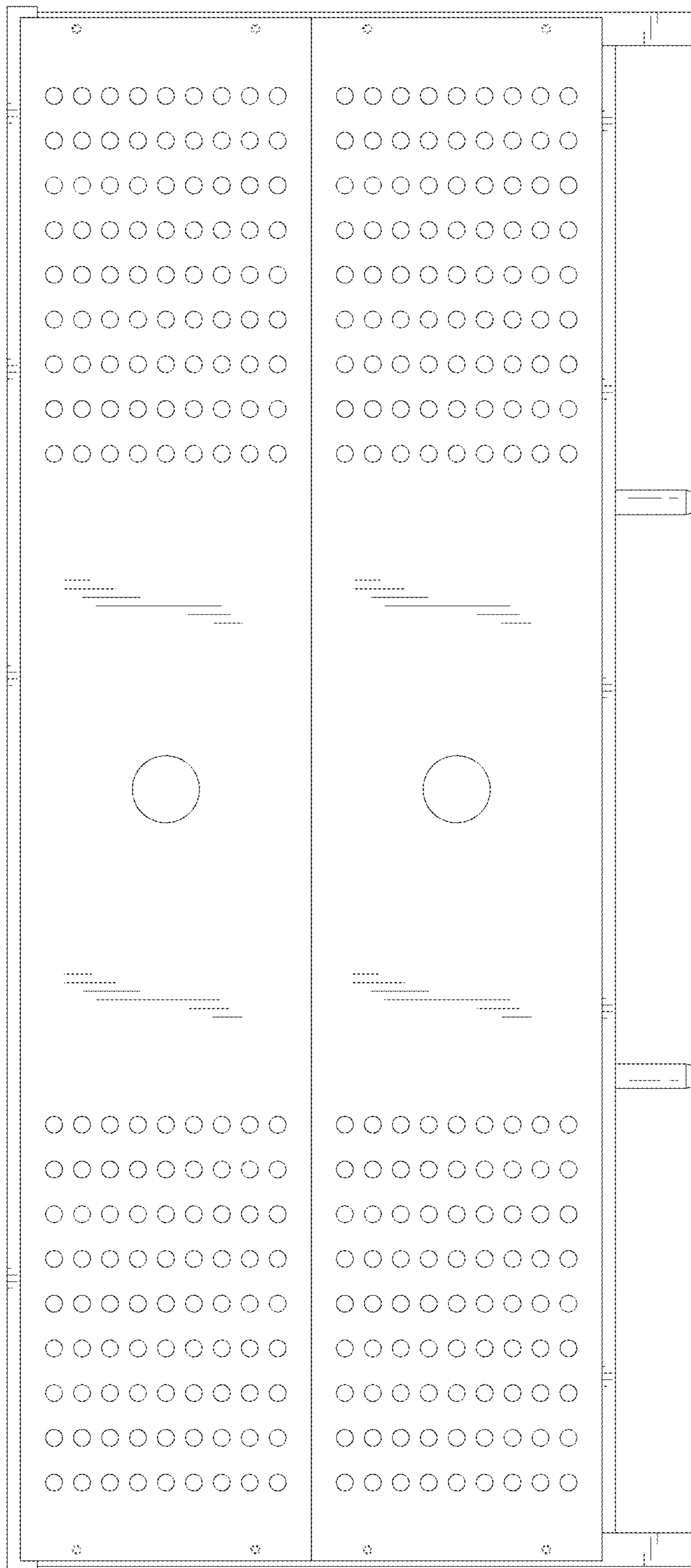


FIG. 3

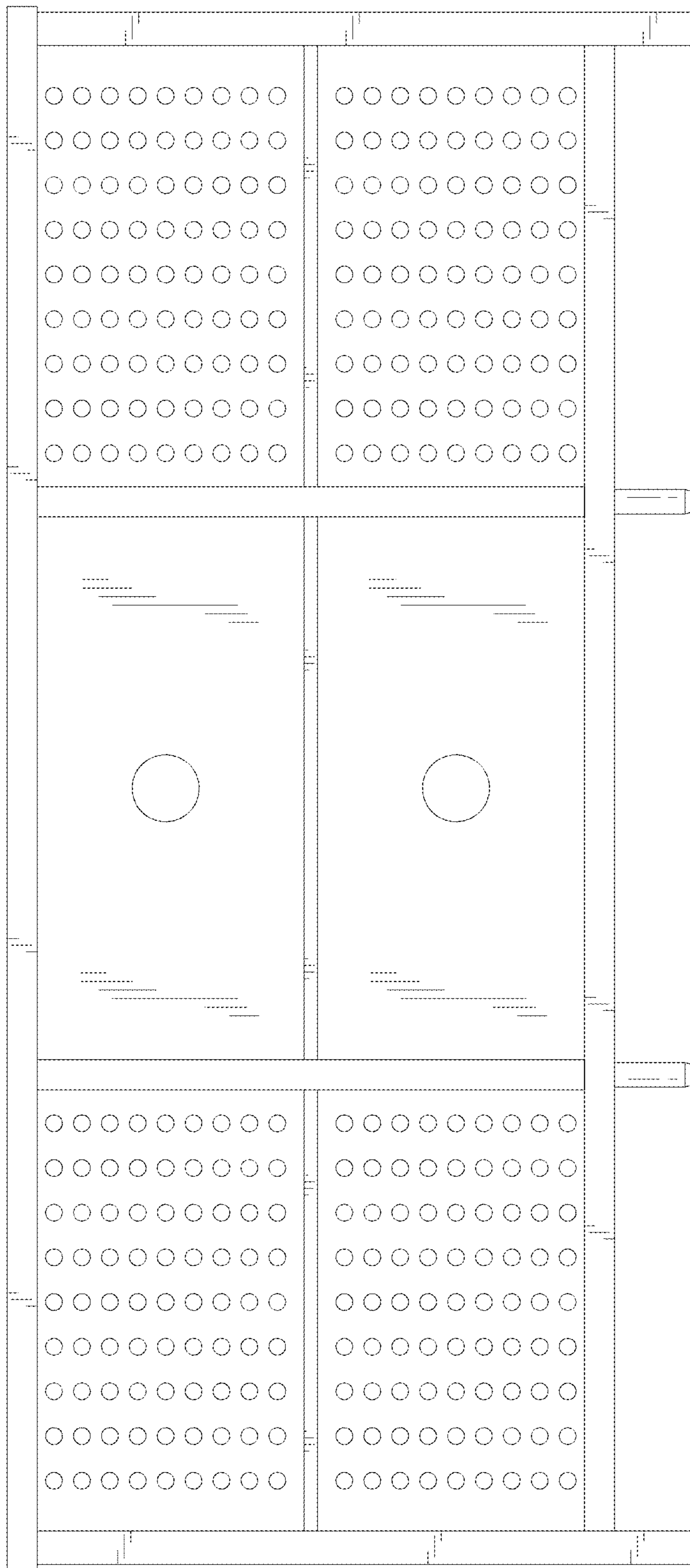


FIG. 4

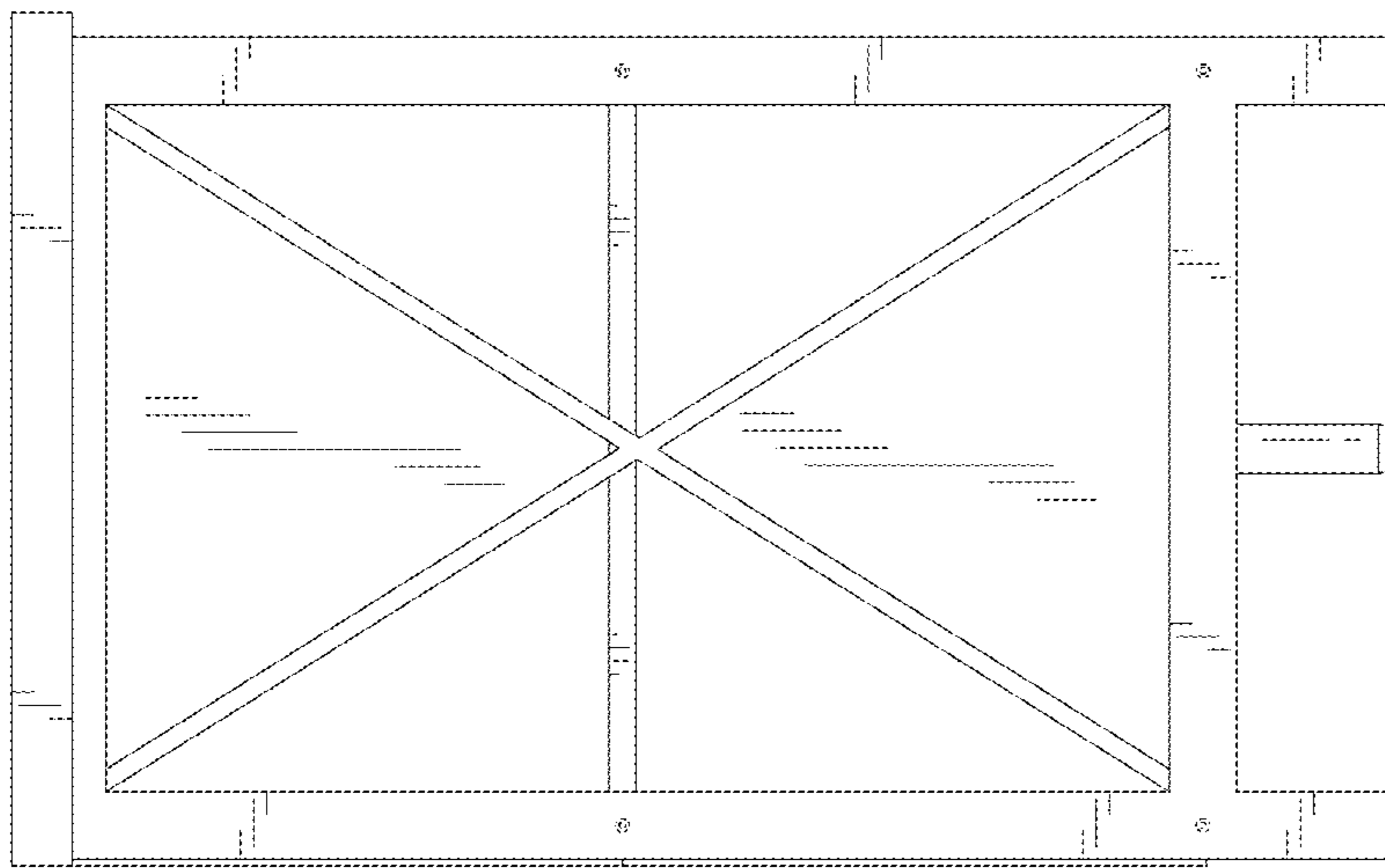


FIG. 5

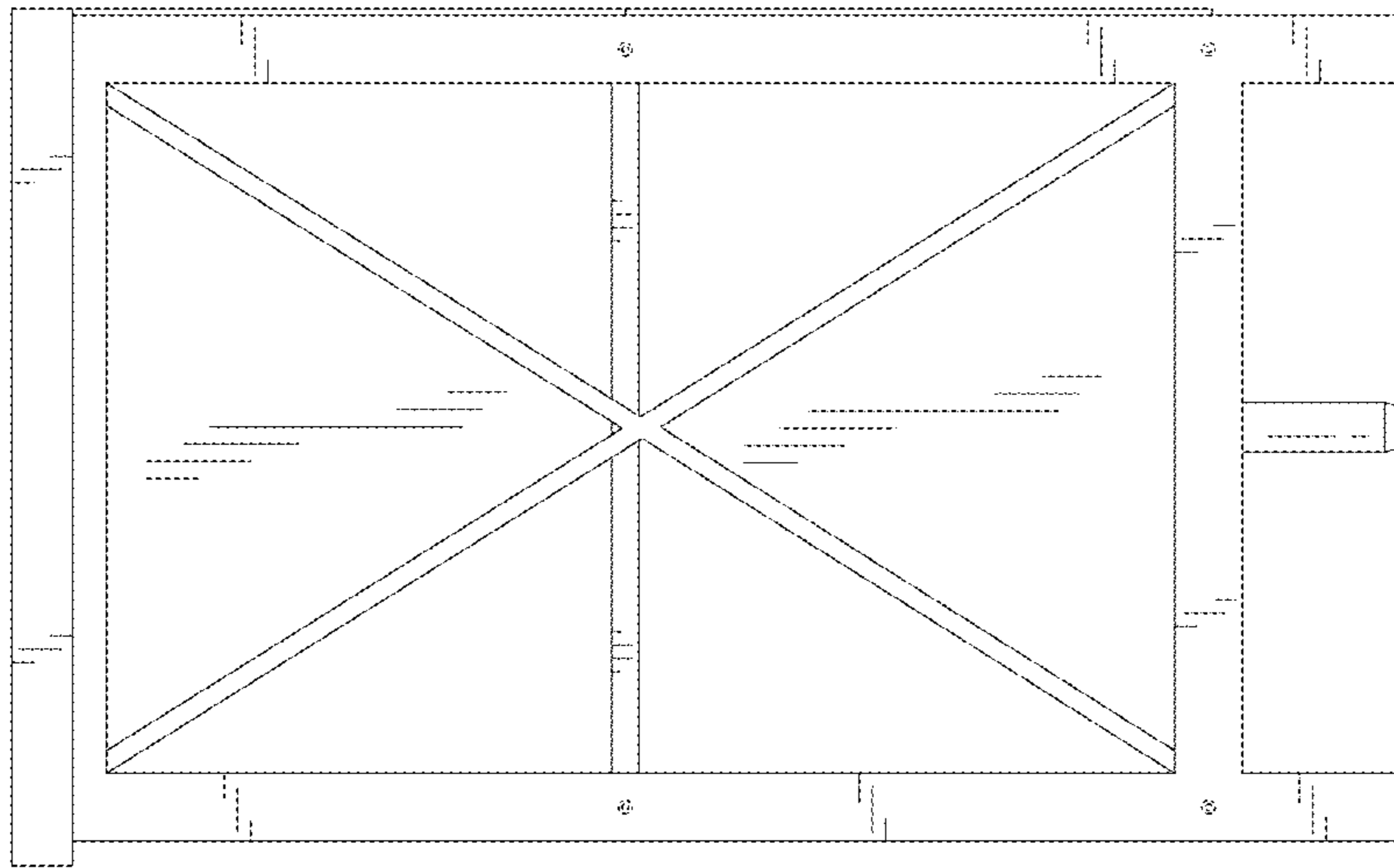


FIG. 6

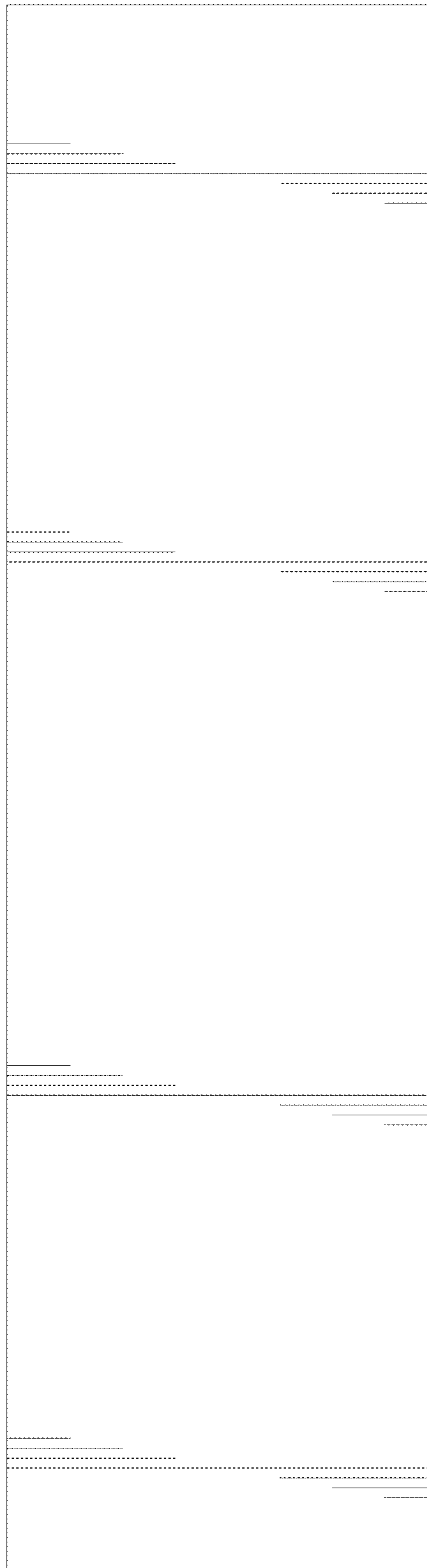


FIG. 7

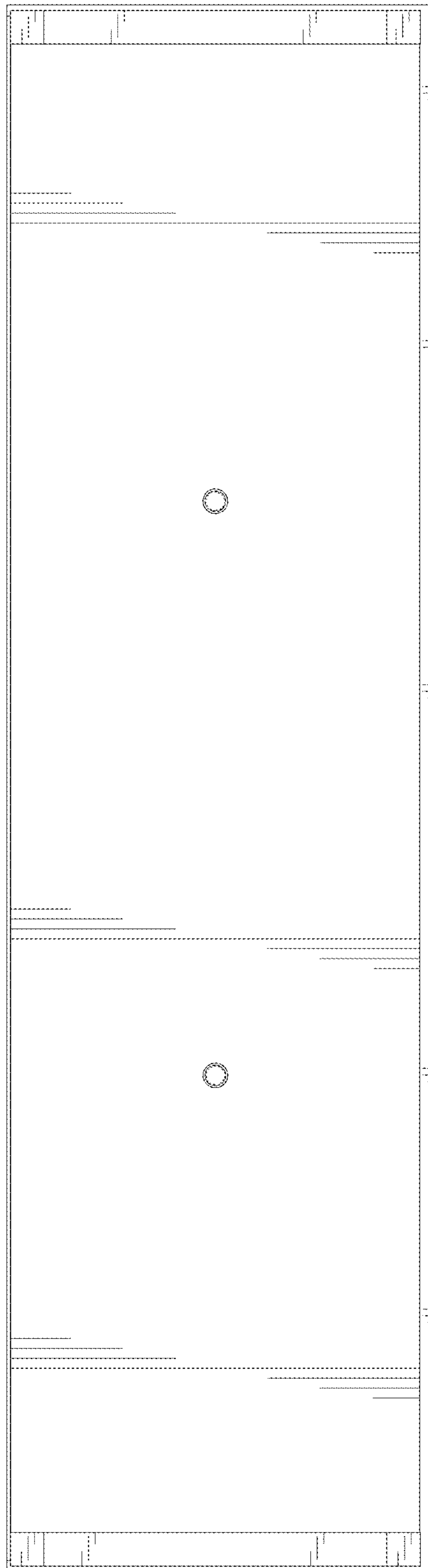


FIG. 8