



US00D920012S

(12) **United States Design Patent**
Huang

(10) **Patent No.:** **US D920,012 S**

(45) **Date of Patent:** **** May 25, 2021**

(54) **4 TIER STACKABLE AND EXPANDABLE
PERFORATED SHOE RACK**

(71) Applicant: **Dongguan Hanwen Trading Co., Ltd.,
Dongguan (CN)**

(72) Inventor: **Yingdong Huang, Sichuan (CN)**

(73) Assignee: **Dongguan Hanwen Trading Co., Ltd.,
Dongguan (CN)**

(**) Term: **15 Years**

(21) Appl. No.: **29/713,961**

(22) Filed: **Nov. 20, 2019**

(51) **LOC (13) Cl.** **06-06**

(52) **U.S. Cl.**
USPC **D6/675.1**

(58) **Field of Classification Search**
USPC D6/672, 675, 675.1, 675.2, 675.3, 675.4,
D6/675.5
CPC A47B 63/00; A47F 1/00; A47F 5/0018;
A47F 3/00; A47F 5/00; A47F 5/0043;
A47F 5/10
See application file for complete search history.

(56) **References Cited**

U.S. PATENT DOCUMENTS

D291,165 S *	8/1987	Ray	D6/675.2
D398,787 S *	9/1998	Malik	D6/682
D403,880 S *	1/1999	Malik	D6/681.1
D424,836 S *	5/2000	Kopala, Jr.	D6/675.2
D602,712 S *	10/2009	Ho	D6/675.2
D626,356 S *	11/2010	Ho	D6/675.2
D657,979 S *	4/2012	Sokol	D6/675.1
D683,983 S *	6/2013	Troyner	D6/675.2
D699,485 S *	2/2014	Hsu	D6/675.1
D701,405 S *	3/2014	Pace	D6/675.2
D703,467 S *	4/2014	Ho	D6/675.1

D703,468 S *	4/2014	Ho	D6/675.1
D731,212 S *	6/2015	Hsu	D6/675.2
D759,997 S *	6/2016	Ruiz	D6/675.1
D762,402 S *	8/2016	Hsu	D6/675.5
D787,242 S *	5/2017	Hsu	D6/675.2
D802,342 S *	11/2017	Chang	D6/675.5
D840,728 S *	2/2019	Hsu	D6/675.2
2010/0181274 A1 *	7/2010	Vargo	A47B 57/50 211/187
2011/0233164 A1 *	9/2011	Chang	A47B 87/001 211/188
2011/0240571 A1 *	10/2011	Ho	A47B 47/021 211/13.1
2011/0290750 A1 *	12/2011	Lim	A47F 5/10 211/153

* cited by examiner

Primary Examiner — Kelley A Donnelly

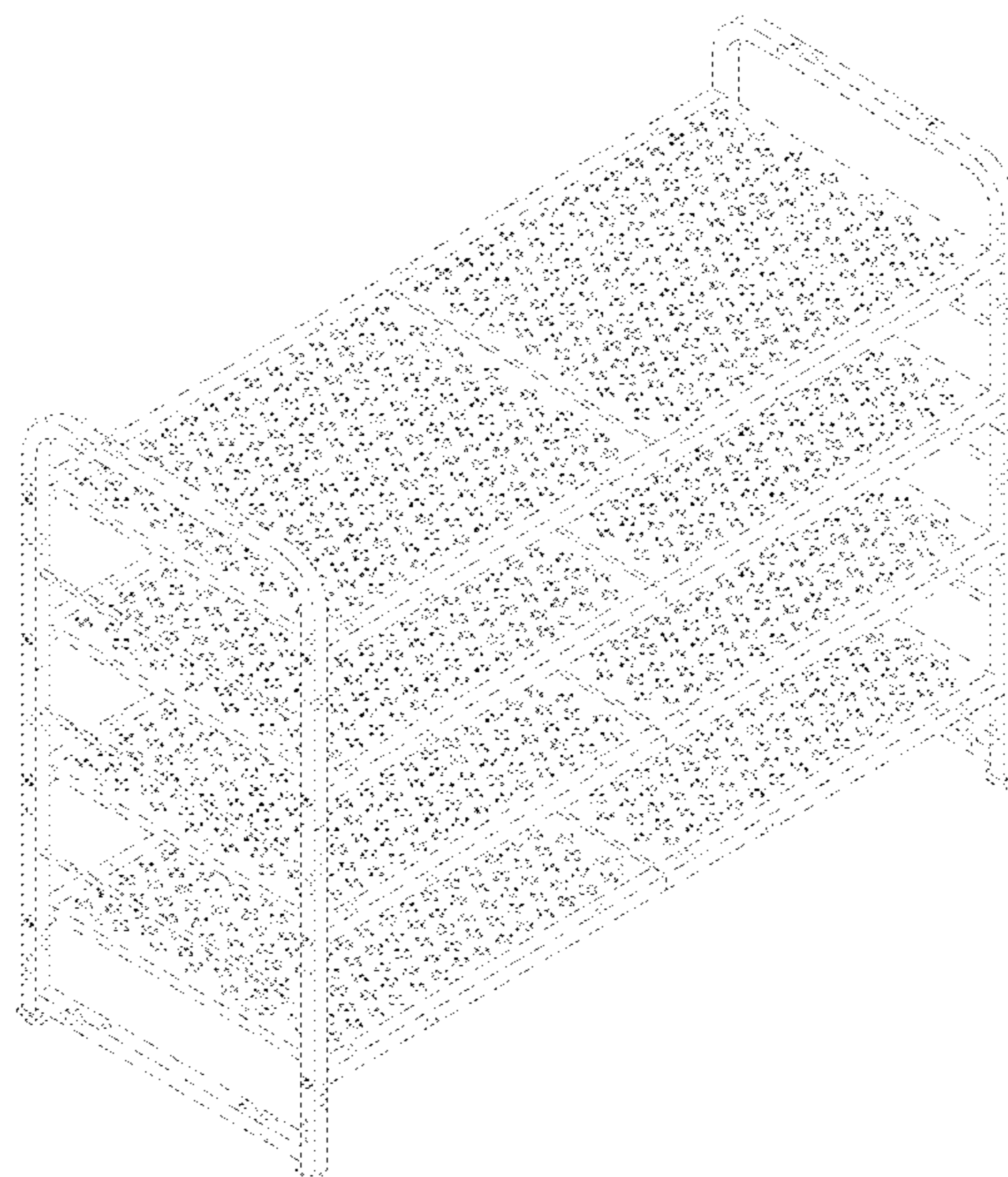
(57) **CLAIM**

The ornamental design for a 4 tier stackable and expandable perforated shoe rack, as shown and described.

DESCRIPTION

FIG. 1 is a perspective view of a 4 tier stackable and expandable perforated shoe rack showing my new design; FIG. 2 is a perspective view of one thereof stacked atop another thereof, showing connectors; FIG. 3 is a perspective view of one thereof connected to another thereof by one tier thereof; FIG. 4 is a front view thereof; FIG. 5 is a back view thereof; FIG. 6 is a left side view thereof; FIG. 7 is a right side view thereof; FIG. 8 is a top view thereof; and, FIG. 9 is a bottom view thereof. The broken lines in the drawing depict environmental subject matter only and form no part of the claimed design.

1 Claim, 9 Drawing Sheets



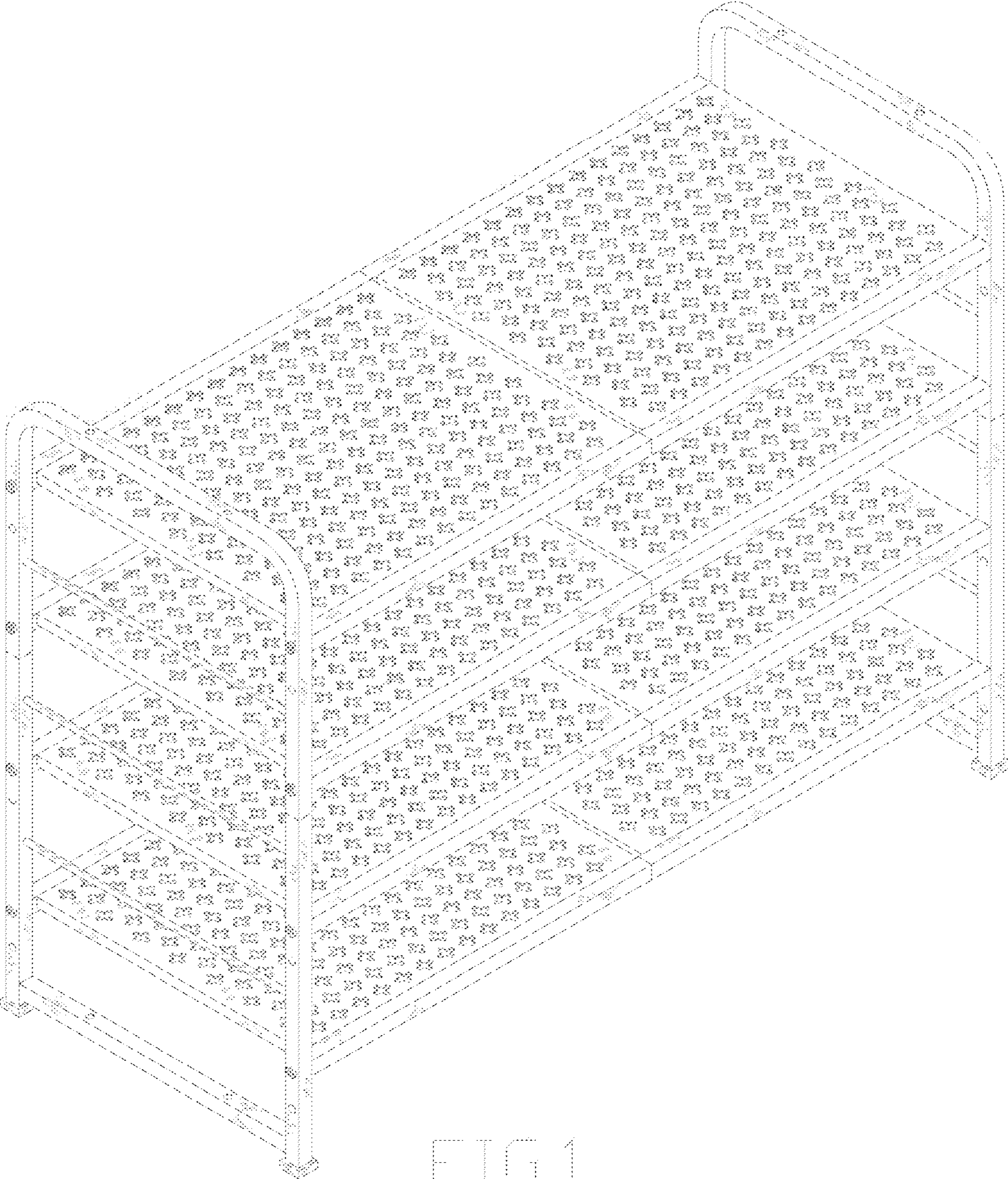


FIG. 1

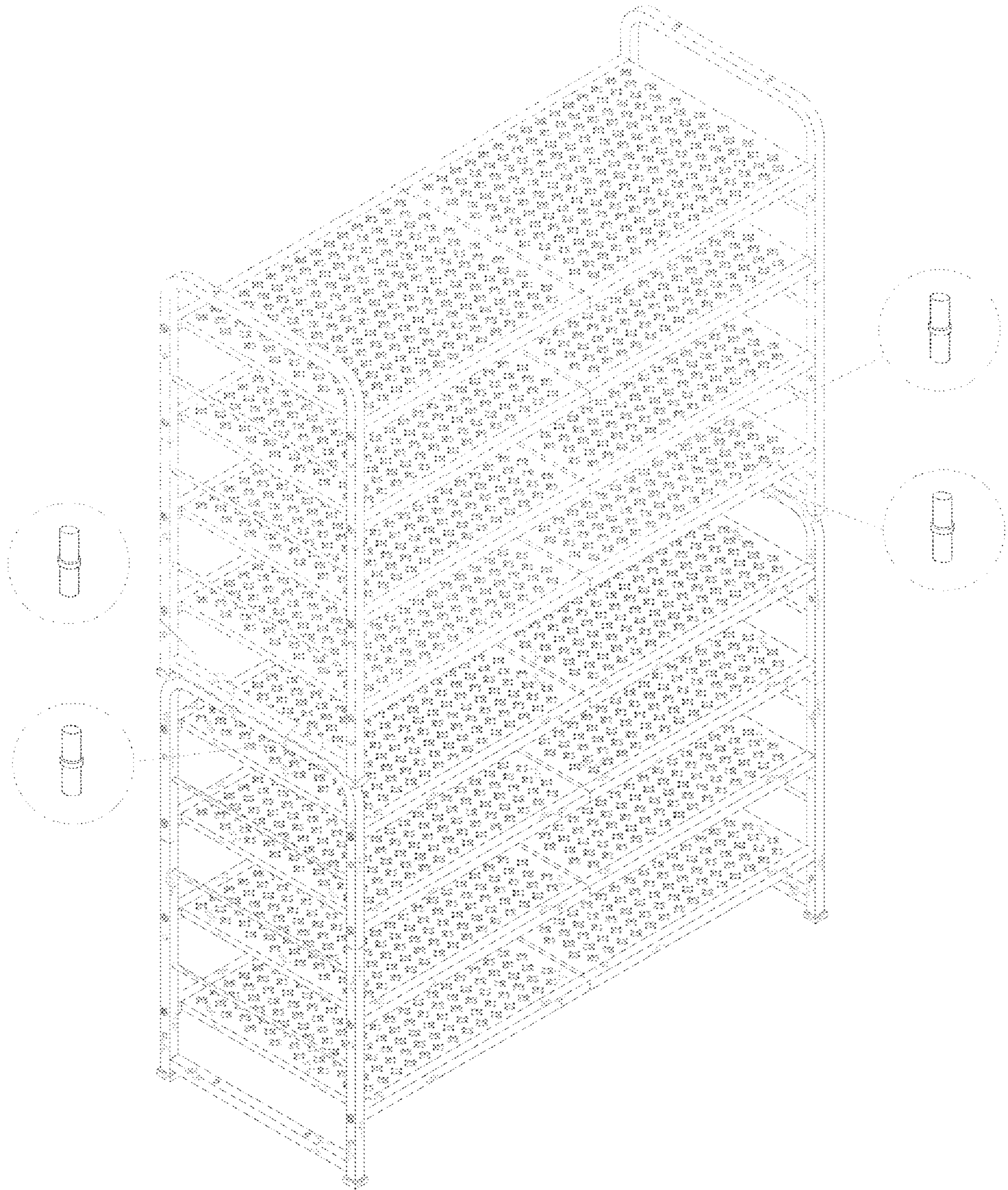


FIG. 2

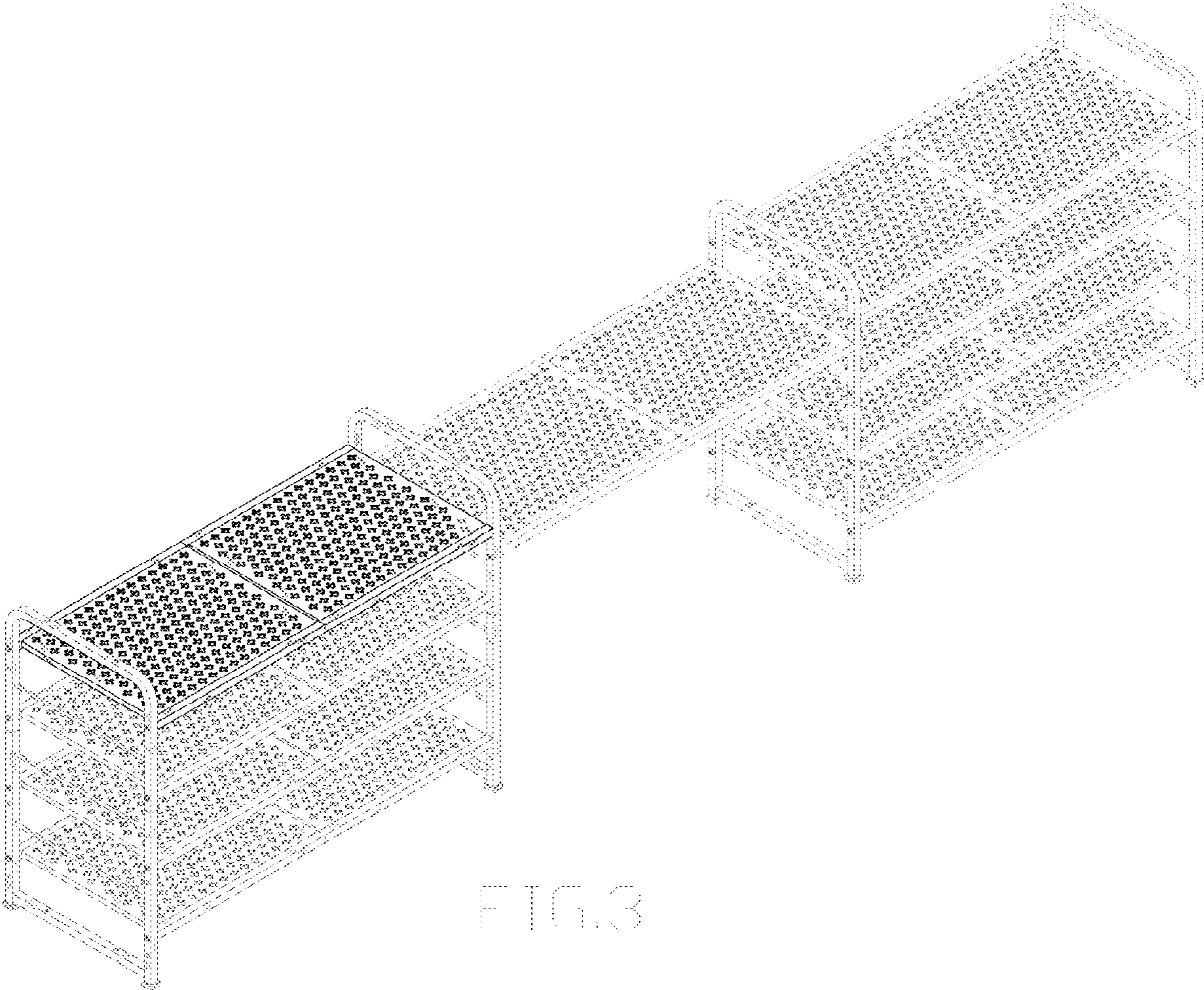


FIG. 3

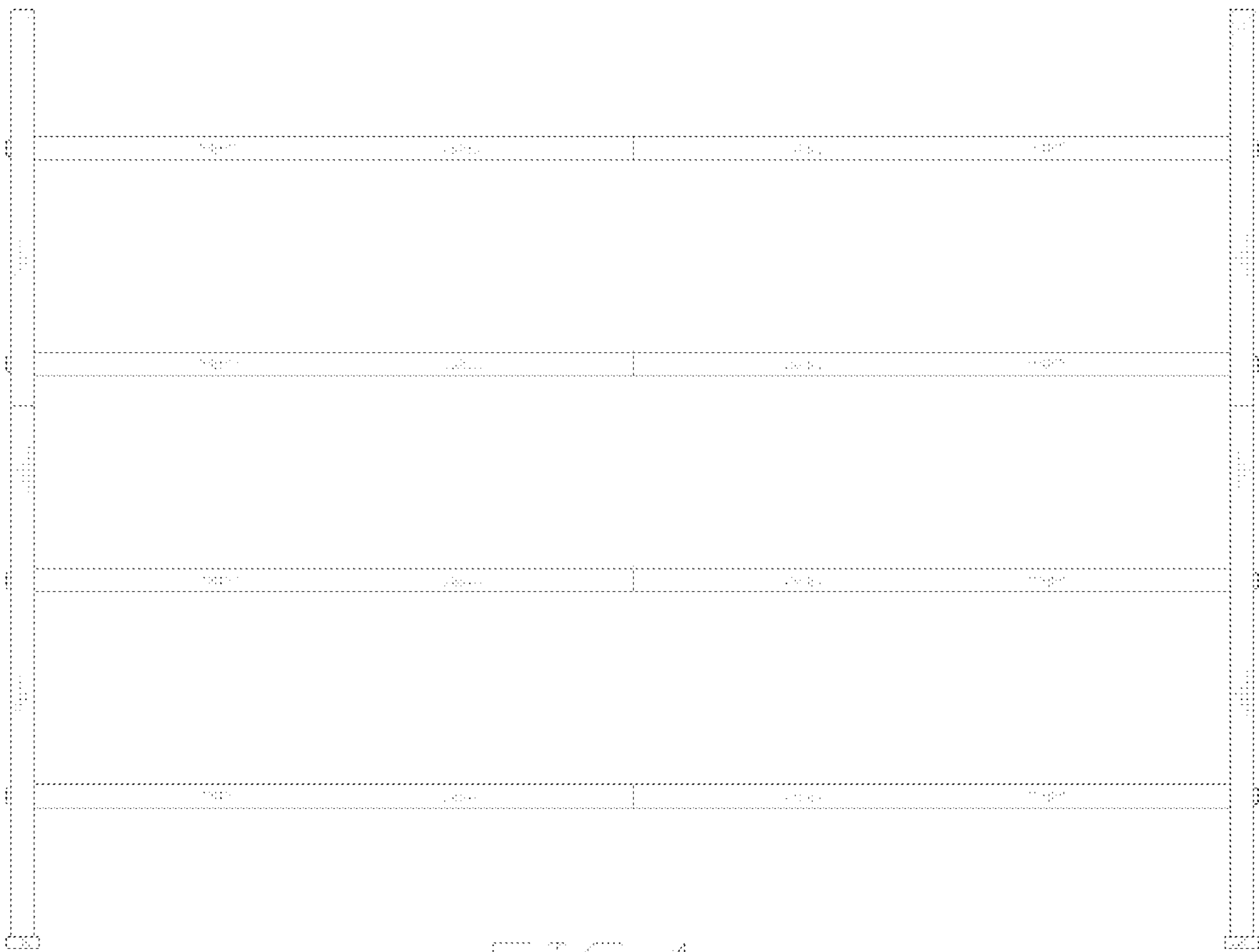


FIG. 4

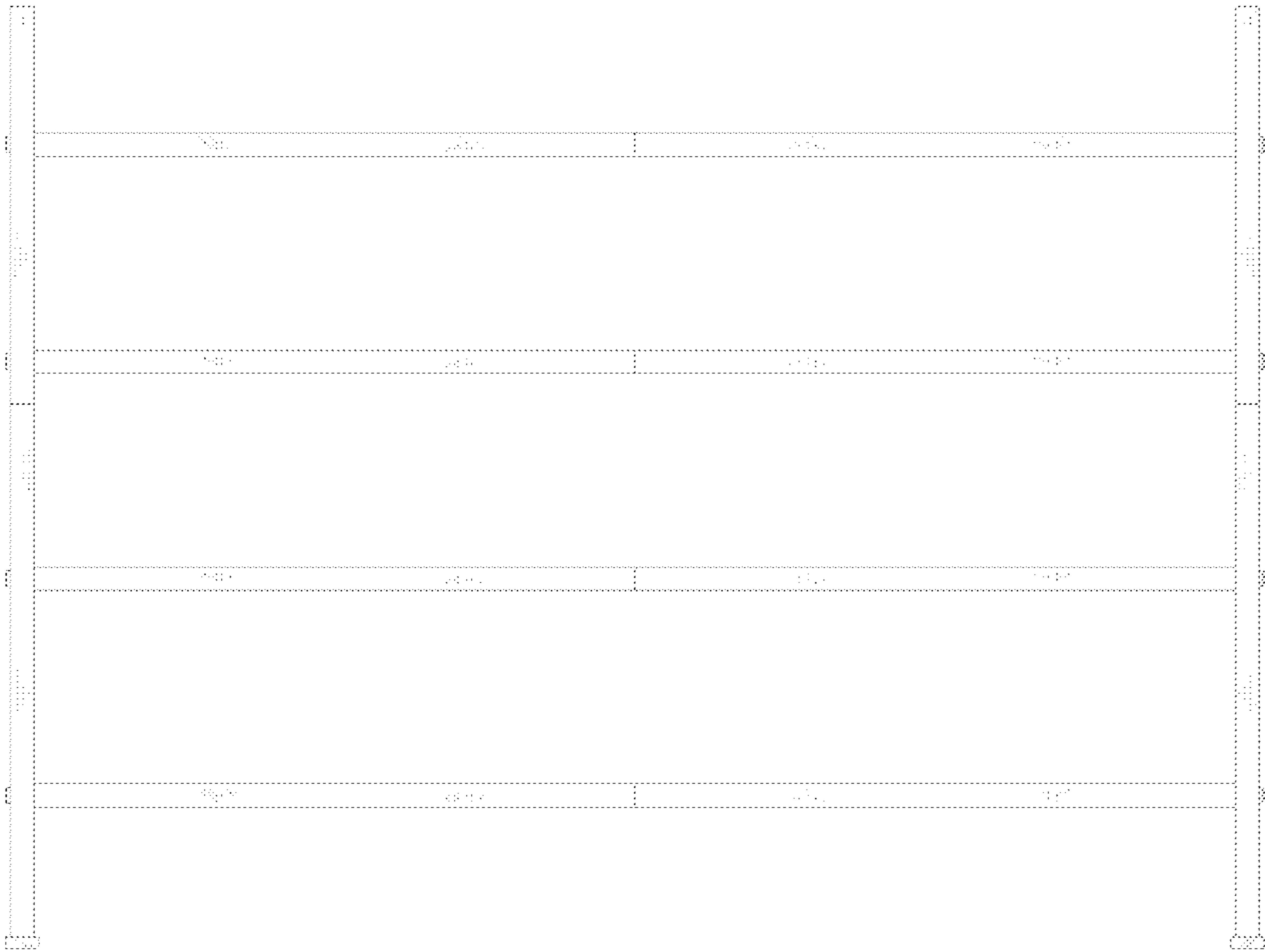


FIG. 5

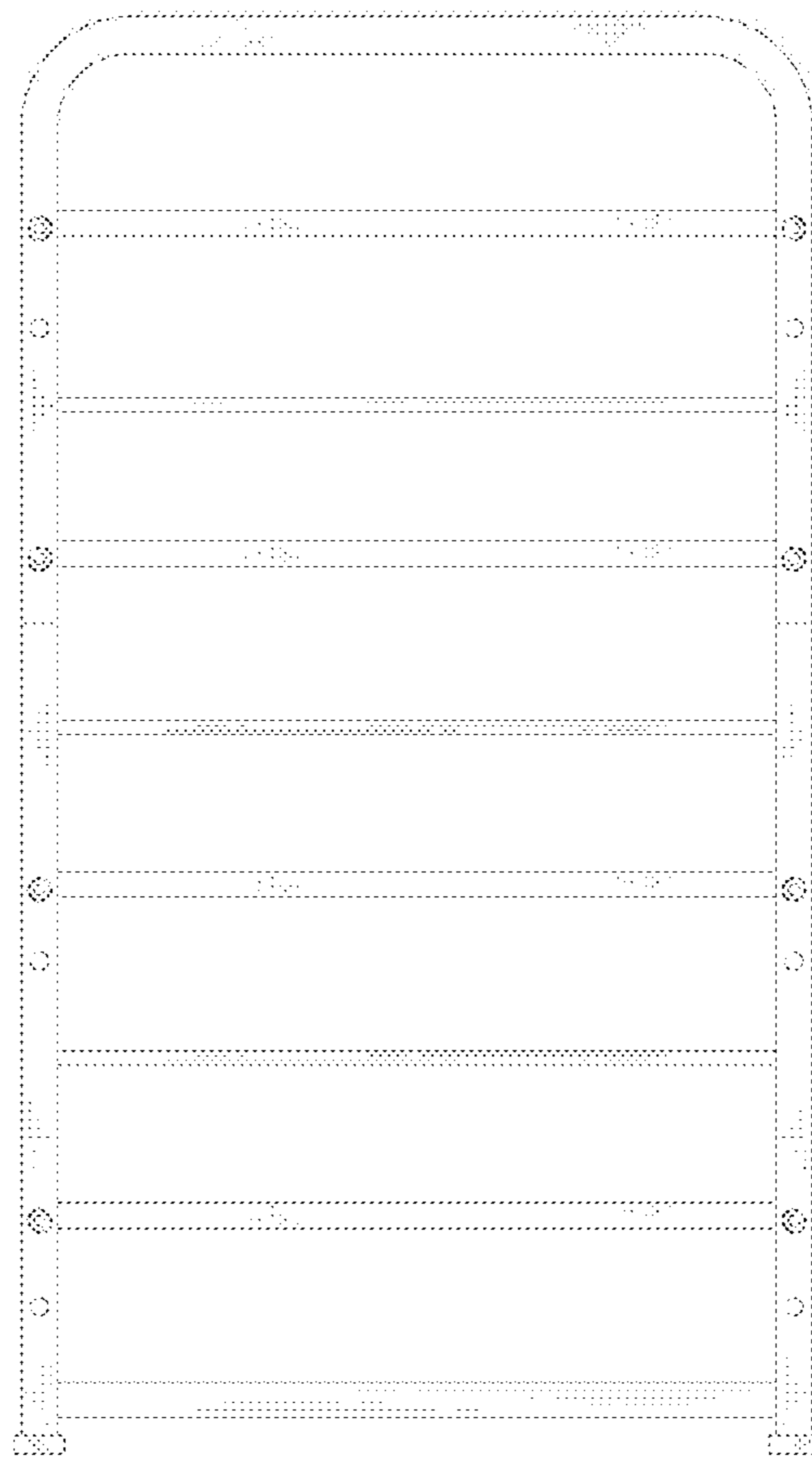


FIG. 6

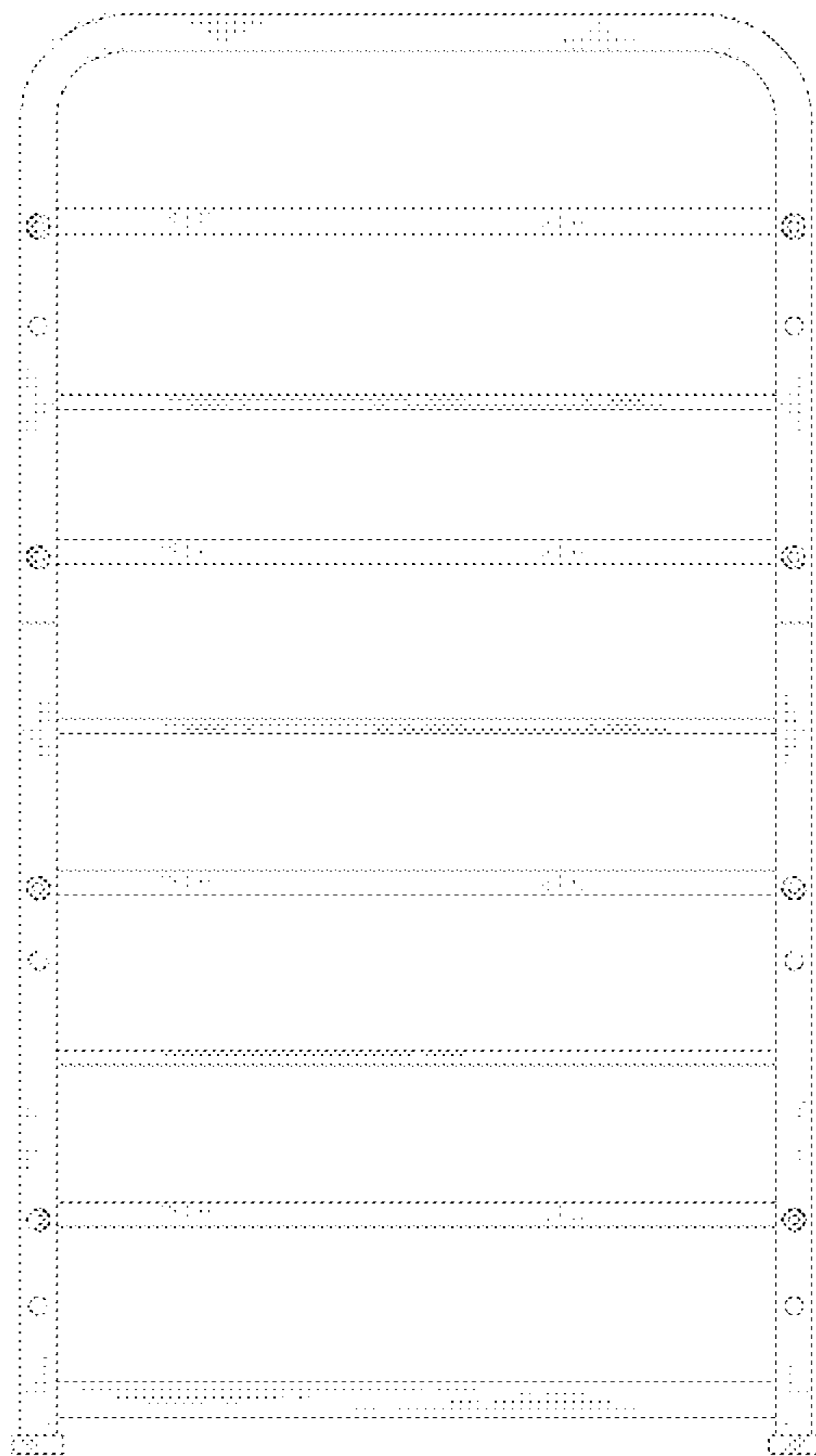


FIG. 7

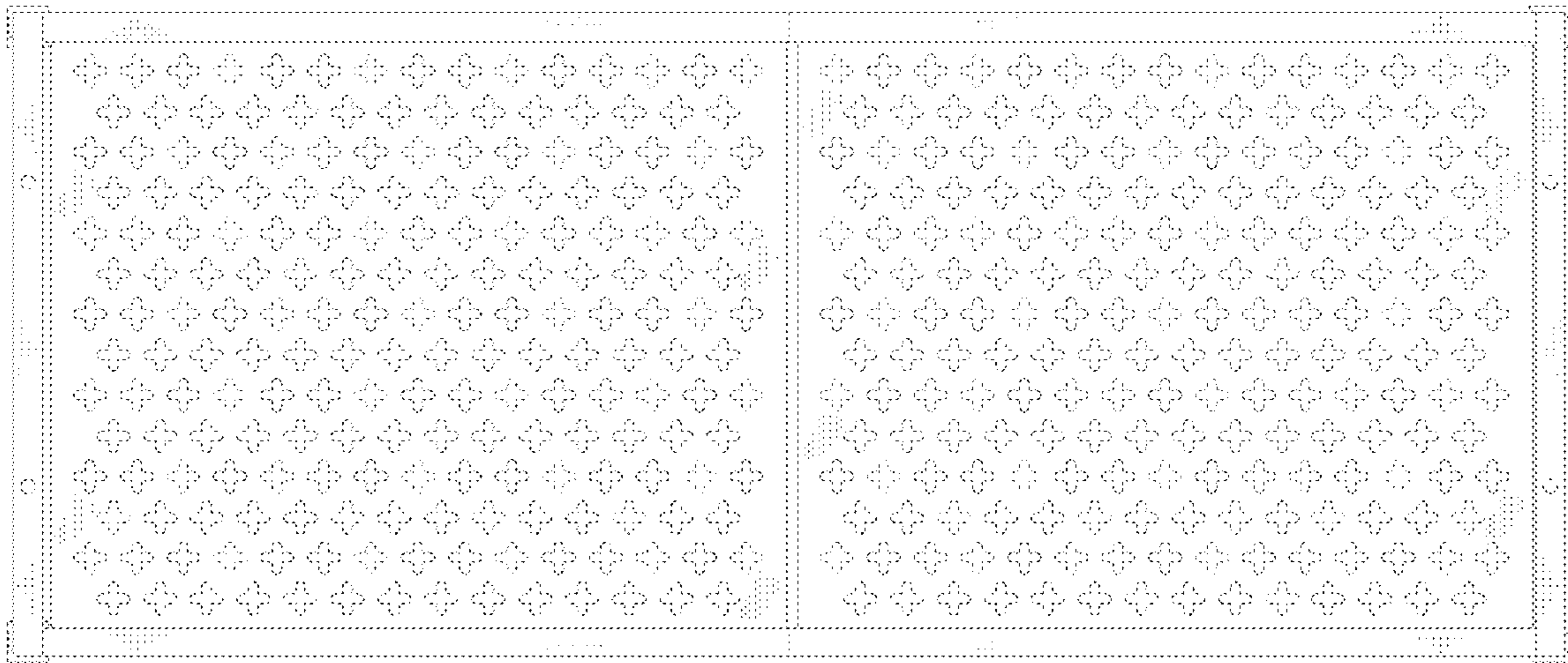


FIG. 8

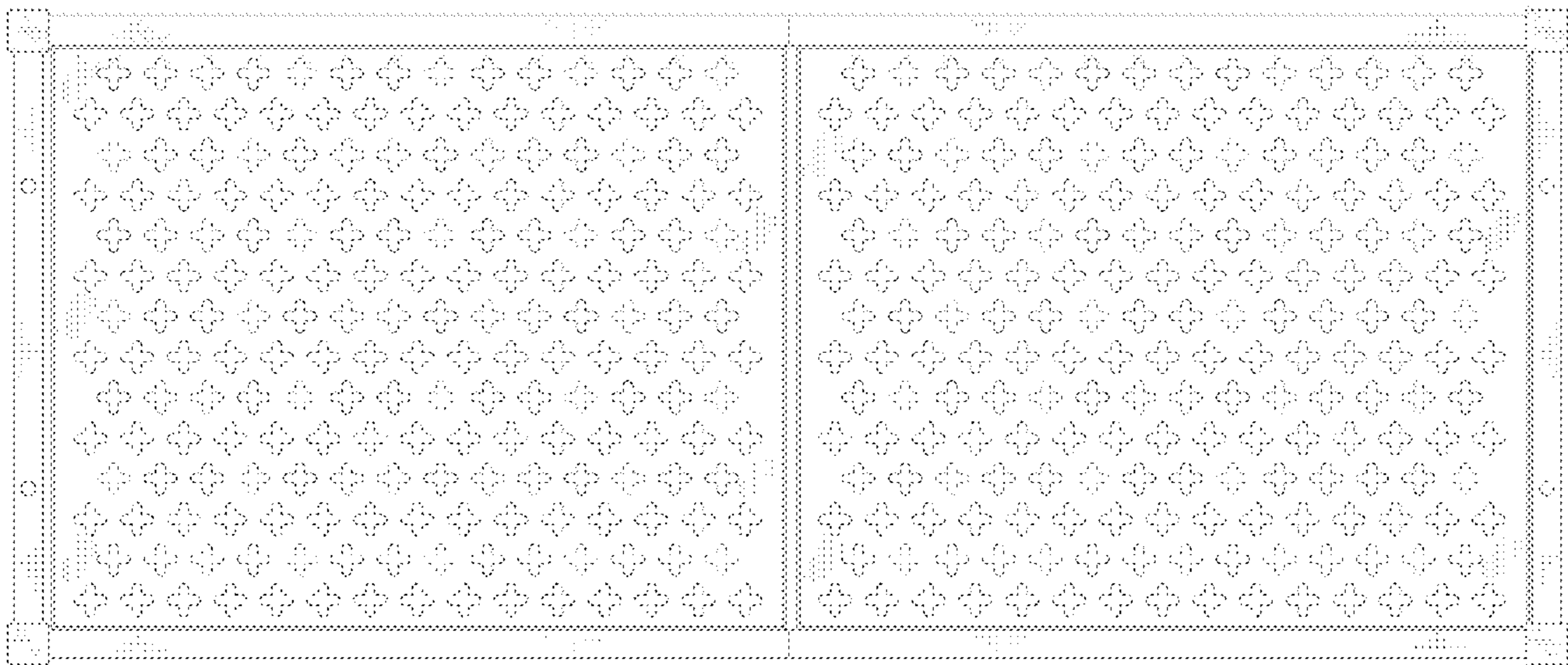


FIG. 9