



US00D920009S

(12) **United States Design Patent** (10) **Patent No.:** **US D920,009 S**
Liu (45) **Date of Patent:** **** May 25, 2021**

(54) **TELESCOPIC PORTABLE DESK**
(71) Applicant: **Shiwei Liu**, Shenzhen (CN)
(72) Inventor: **Shiwei Liu**, Shenzhen (CN)
(**) Term: **15 Years**

D879,514 S * 3/2020 Goldberg D6/656.16
D879,515 S * 3/2020 Goldberg D6/656.16
D887,183 S * 6/2020 Ying D6/656.17
D892,515 S * 8/2020 Wang D6/406.5
D895,325 S * 9/2020 Goldberg D6/656.19
D895,326 S * 9/2020 Goldberg D6/656.19
D901,946 S * 11/2020 Egger D6/656.17

(Continued)

(21) Appl. No.: **29/706,653**
(22) Filed: **Sep. 23, 2019**
(51) **LOC (13) Cl.** **06-03**
(52) **U.S. Cl.**
USPC **D6/656.17**
(58) **Field of Classification Search**
USPC D6/406.1, 406.5, 406.6, 641, 642, 656,
D6/656.11-656.17, 656.19
CPC .. A47B 3/00; A47B 3/002; A47B 3/06; A47B
3/08; A47B 3/0803; A47B 3/0818; A47B
3/087; A47B 2003/0824; A47B 7/00;
A47B 13/00; A47B 13/003; A47B 13/02;
A47B 13/04; A47B 13/06; A47B 13/08;
A47B 13/081; A47B 13/10; A47B 13/12;
A47B 9/00; A47B 17/00; A47B 21/00;
A47B 21/02; A47B 2200/0001; A47B
2200/0011; A47B 2200/002; A47B
2200/0055; A47B 2200/0029; A47B
2200/0035; A47B 2200/0036; A47B
2200/0043
See application file for complete search history.

(56) **References Cited**
U.S. PATENT DOCUMENTS

D147,414 S * 9/1947 Maynard D6/691.5
D299,798 S * 2/1989 Sottsas D6/656.16
D322,729 S * 12/1991 Diffrient D6/656.17
D336,393 S * 6/1993 Saotome D6/656.17
D557,522 S * 12/2007 Stapleton D6/656.17
D710,133 S * 8/2014 Scharer D6/656.17
D719,767 S * 12/2014 Scharer D6/656.17
D875,442 S * 2/2020 Duan D6/656.16
D877,544 S * 3/2020 Hu D6/656.16

OTHER PUBLICATIONS

“Aluratek Adjustable Ergonomic Laptop Cooling Table.” Found online Dec. 2, 2020 at www.staples.com. Product reviewed Oct. 31, 2018. Retrieved from URL: https://tinyurl.com/y6sbas32 (Year: 2018).*

(Continued)

Primary Examiner — Mary Ann Calabrese
Assistant Examiner — Katelin G Kloberg
(74) *Attorney, Agent, or Firm* — Runit Ranjit Kanakia

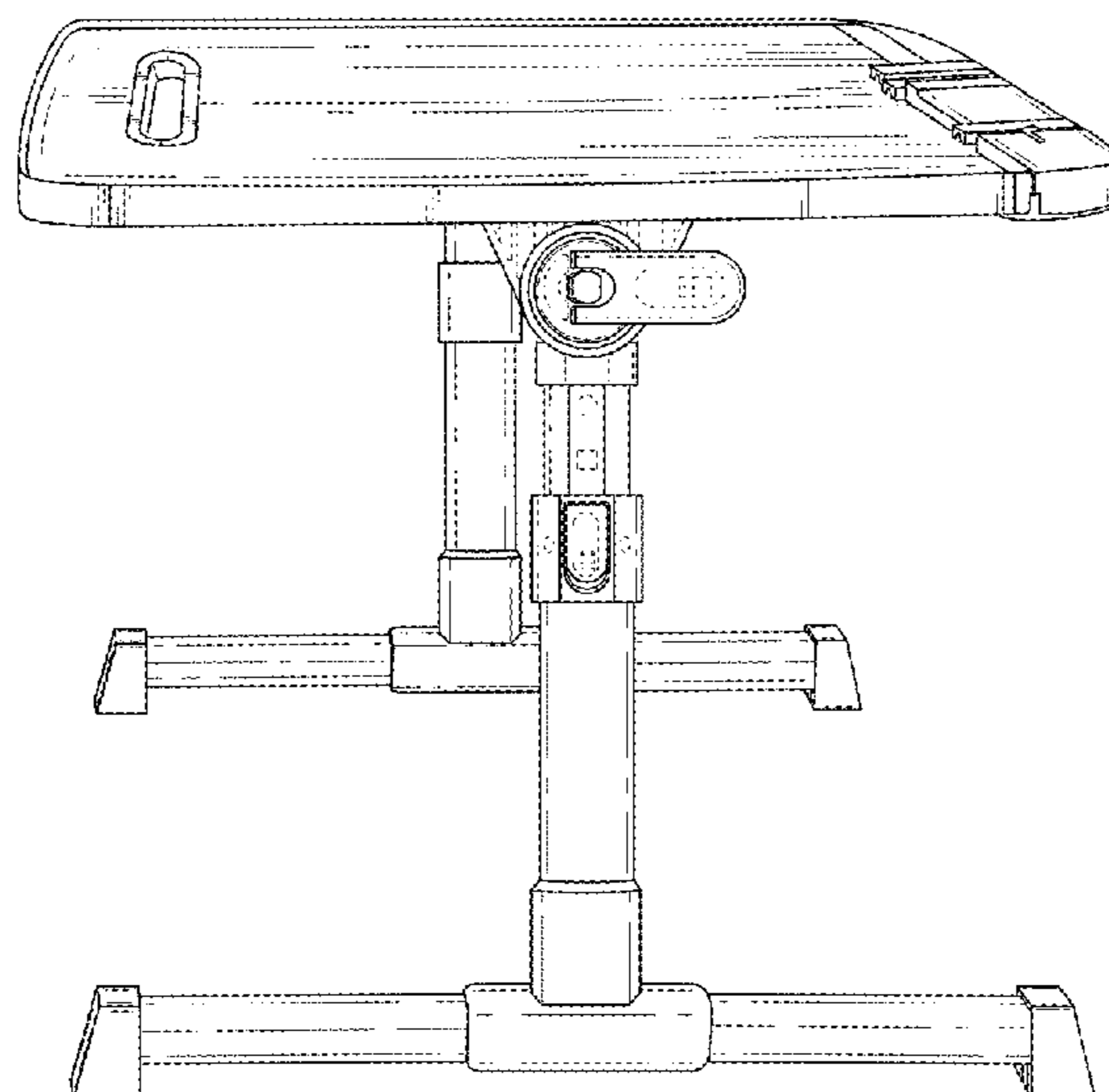
(57) **CLAIM**

I claim the ornamental design for a telescopic portable desk, as shown and described.

DESCRIPTION

FIG. 1 is a Perspective view of a telescopic portable desk showing my new design;
FIG. 2 is a Front view of the telescopic portable desk as shown in FIG. 1;
FIG. 3 is a Back view of the telescopic portable desk as shown in FIG. 1;
FIG. 4 is a Left-side view of the telescopic portable desk as shown in FIG. 1;
FIG. 5 is a Right-side view of the telescopic portable desk as shown in FIG. 1;
FIG. 6 is a Top view of the telescopic portable desk as shown in FIG. 1; and,
FIG. 7 is a bottom view of the telescopic portable desk, shown in a closed configuration.

1 Claim, 7 Drawing Sheets



(56)

References Cited

U.S. PATENT DOCUMENTS

2005/0235886 A1* 10/2005 Koning A47B 3/0818
108/132
2007/0256611 A1* 11/2007 Huang A47B 3/08
108/116
2011/0247530 A1* 10/2011 Coffman B25H 1/02
108/116
2017/0251806 A1* 9/2017 Newman H01R 25/006
2020/0275772 A1* 9/2020 Goldberg A47B 9/04
2020/0337453 A1* 10/2020 Wang A47B 23/00

OTHER PUBLICATIONS

“XGear Laptop Stand.” Found online Dec. 2, 2020 at www.xgeartech.net. Page archived Nov. 13, 2017. Retrieved from URL: <https://web.archive.org/web/20171113071126/http://www.xgeartech.net:80/en/showpro.asp?id=860&lb=4> (Year: 2017).*

“AmazonBasics Adjustable and Portable Laptop Table.” Found online Dec. 2, 2020 at www.amazon.com. Product first available Aug. 29, 2019. Retrieved from URL: <https://tinyurl.com/y5tmlcm9> (Year: 2019).*

“Neetto Height Adjustable Laptop Bed Desk.” Found online Dec. 2, 2020 at www.amazon.com. Product first available Jun. 28, 2017. Retrieved from URL: <https://tinyurl.com/y44p2wun> (Year: 2017).*

“Laptop Bed Tray Table.” Found online Dec. 2, 2020 at www.amazon.com. Product first available Dec. 2, 2020. Retrieved from URL: <https://tinyurl.com/yysdngxuw> (Year: 2020).*

“Laptop Bed Tray Desk.” Found online Dec. 2, 2020 at www.amazon.com. Product first available Dec. 5, 2019. Retrieved from URL: <https://tinyurl.com/y2qqm3mj> (Year: 2019).*

* cited by examiner

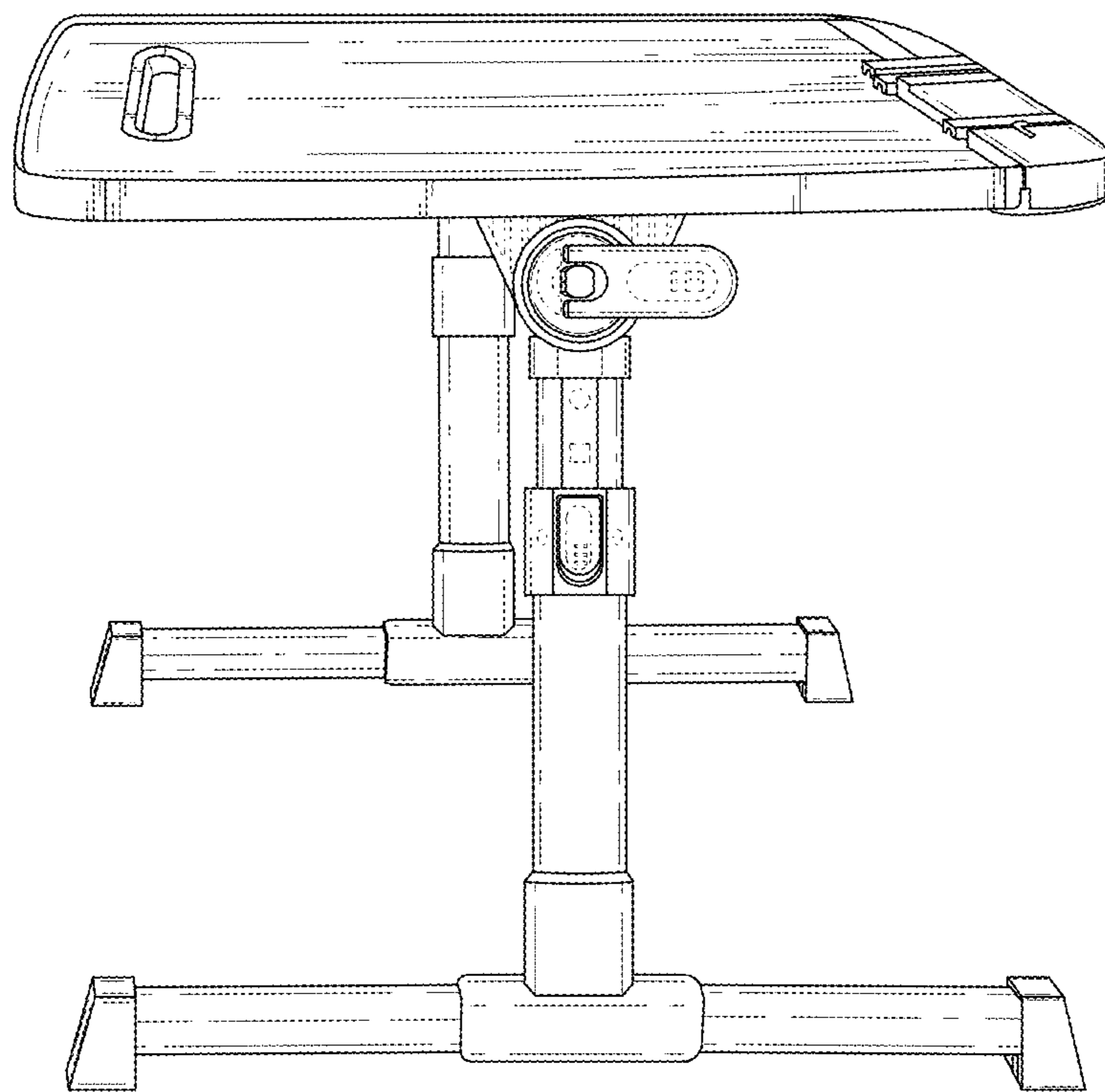


FIG. 1

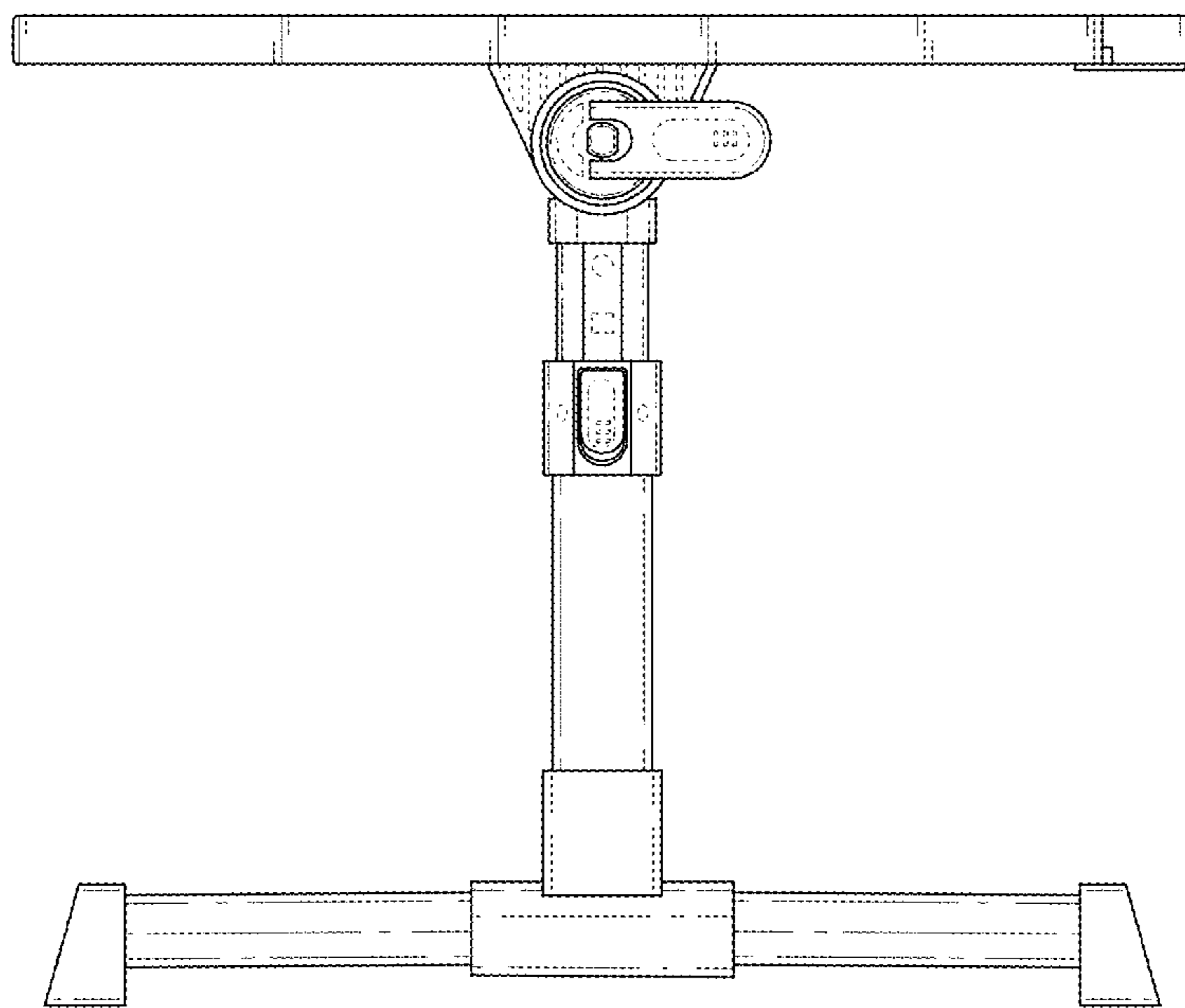


FIG. 2

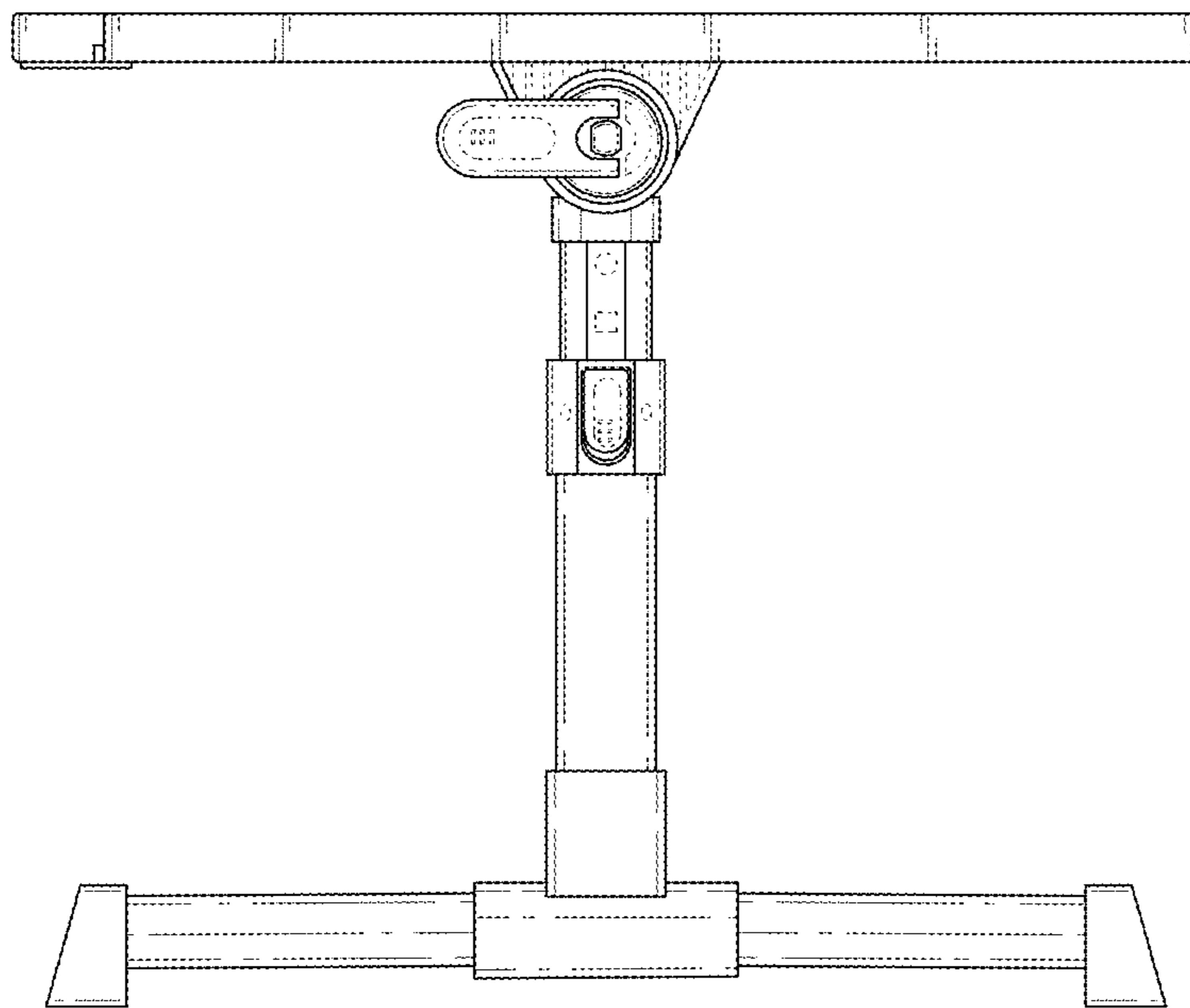


FIG. 3

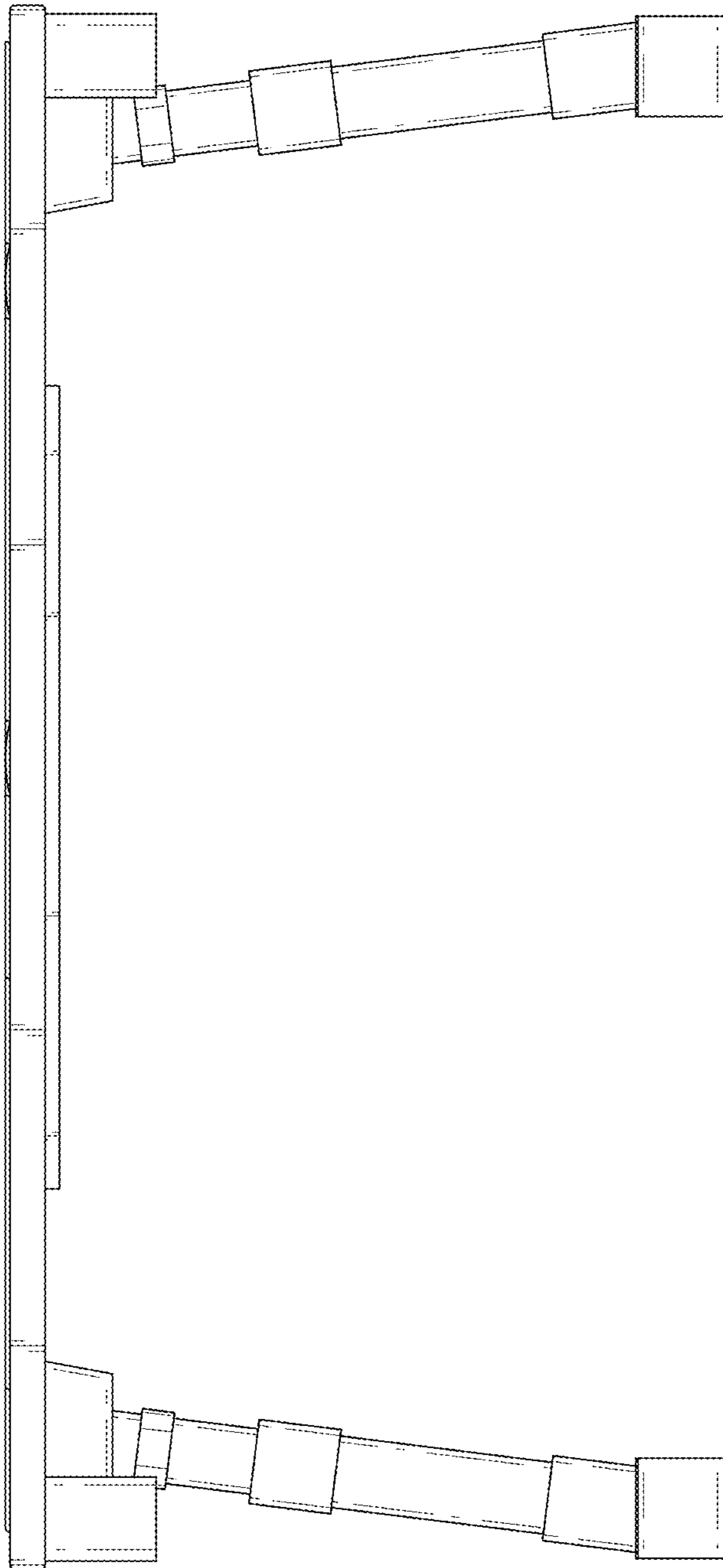


FIG. 4

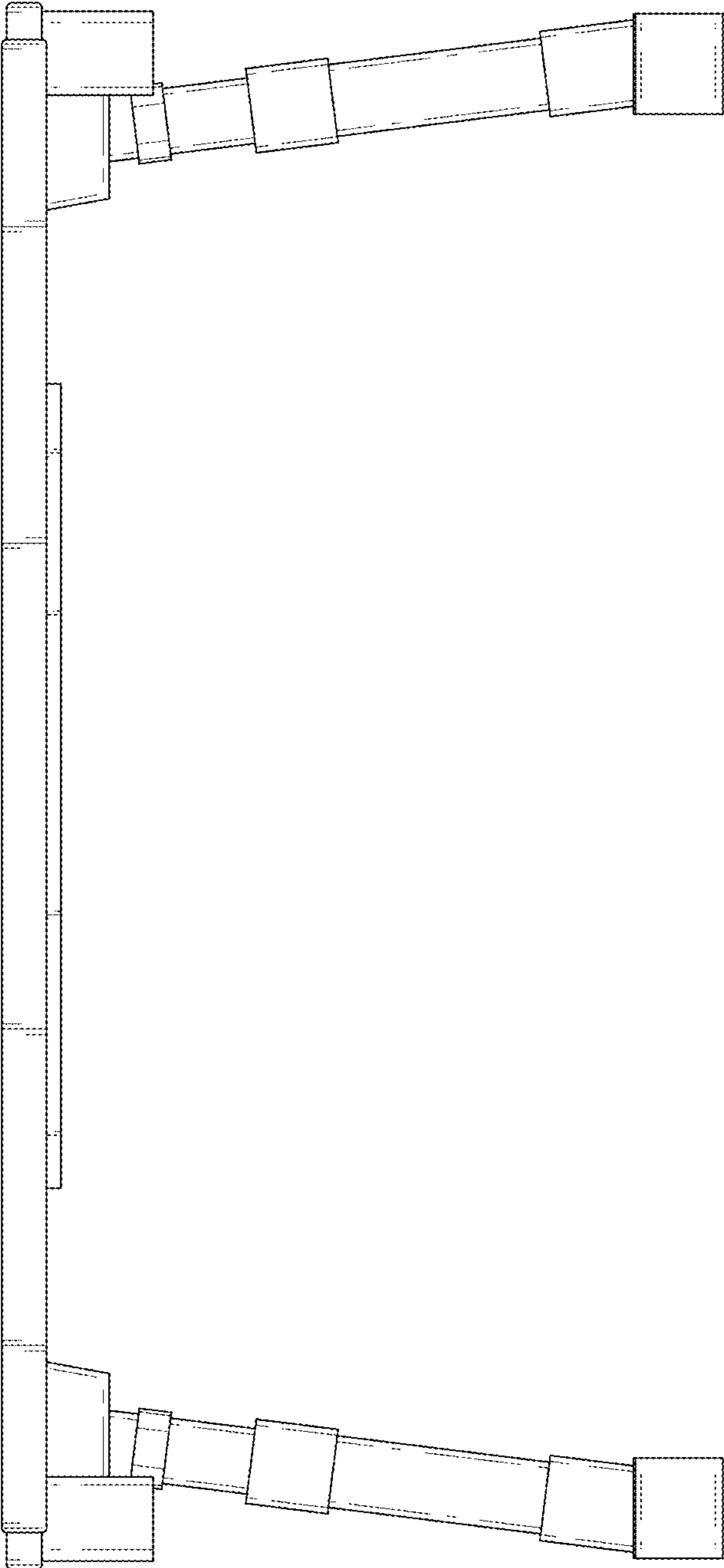


FIG. 5

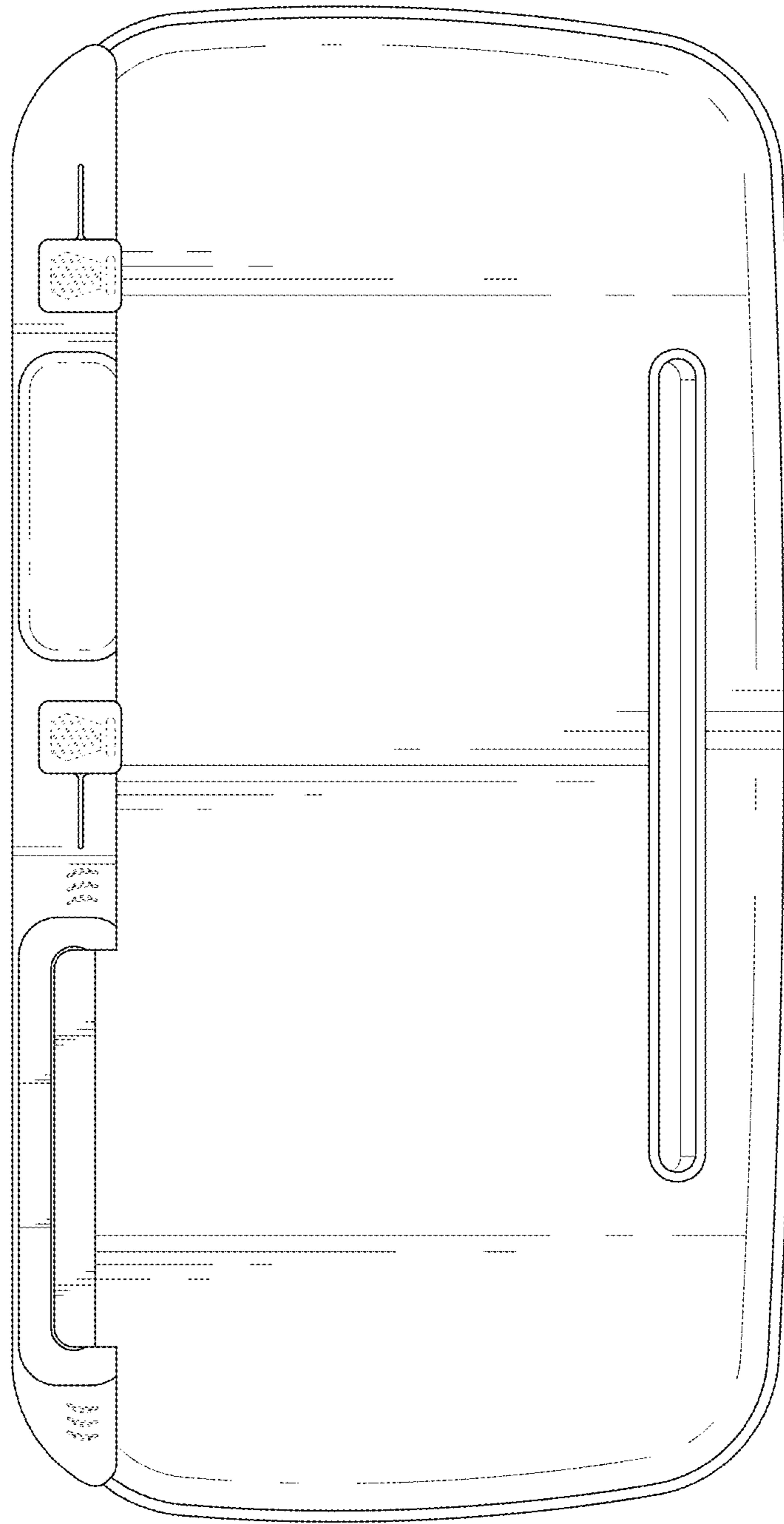


FIG. 6

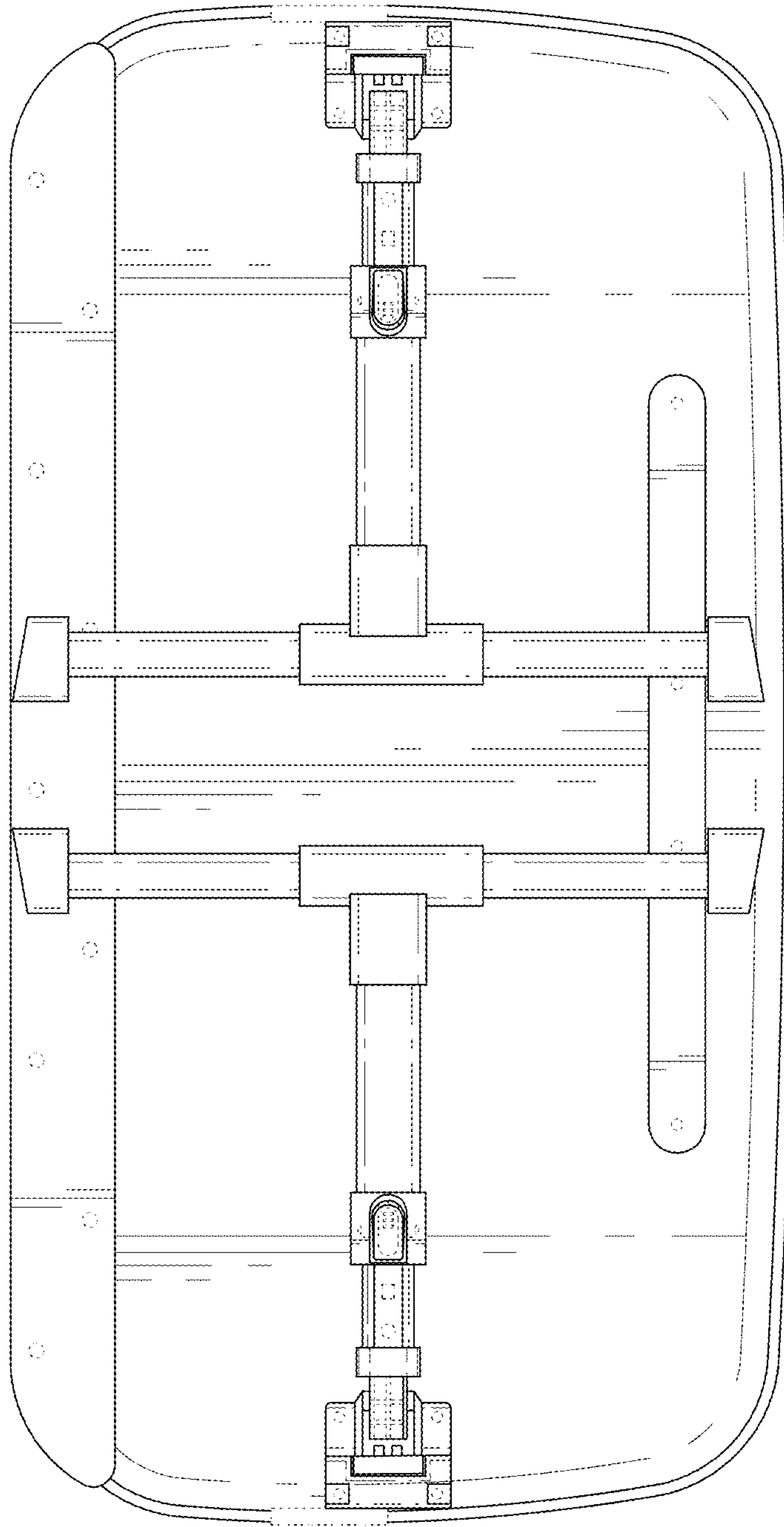


FIG. 7