



US00D920008S

(12) **United States Design Patent**
Lopez

(10) **Patent No.:** **US D920,008 S**

(45) **Date of Patent:** **** May 25, 2021**

(54) **NECK PILLOW**

(71) Applicant: **VIVE HEALTH LLC**, Naples, FL
(US)

(72) Inventor: **Juan Lopez**, Naples, FL (US)

(73) Assignee: **Vive Health LLC**, Naples, FL (US)

(**) Term: **15 Years**

(21) Appl. No.: **29/728,747**

(22) Filed: **Mar. 20, 2020**

(51) **LOC (13) Cl.** **06-09**

(52) **U.S. Cl.**

USPC **D6/609**

(58) **Field of Classification Search**

USPC D6/582-583, 587-592, 595-609,
D6/617-622; D21/803-809; D24/183
CPC A47G 9/00; A47G 2009/001; A47G
2009/002; A47G 2009/003; A47G 9/10;
A47G 9/1009; A47G 2009/1018; A47G
9/1045; A47G 9/1081; A47G 9/109

See application file for complete search history.

(56) **References Cited**

U.S. PATENT DOCUMENTS

D503,062	S	*	3/2005	Nash	D6/601
D522,300	S	*	6/2006	Roberts	A47C 7/383
						D6/601
D619,402	S	*	7/2010	Sternlight	D6/601
8,144,913	B1	*	3/2012	Myles, Jr.	H04R 5/023
						381/374
D665,212	S	*	8/2012	Schwingendorf	D6/601
D746,080	S	*	12/2015	Mittelstadt	D6/601
9,526,360	B2	*	12/2016	Sternlight	A47G 9/10
9,635,962	B2		5/2017	Cabeau		
D791,508	S	*	7/2017	Chen	D6/601
10,178,915	B1	*	1/2019	Sternlight	A47G 9/1081

D846,913	S	*	4/2019	Liu	D6/601
D874,850	S	*	2/2020	Chen	D6/601
D875,438	S	*	2/2020	Liu	D6/601
D878,808	S	*	3/2020	Denat	D6/601
D881,605	S	*	4/2020	Chen	D6/601
D899,818	S	*	10/2020	Qu	D6/601
D902,628	S	*	11/2020	Lian	D6/604
2001/0054837	A1	*	12/2001	O'Connor	B60N 2/868
						297/397
2014/0310877	A1	*	10/2014	Sternlight	A47G 9/02
						5/639

OTHER PUBLICATIONS

“Cabeau” Website retrieved on Mar. 10, 2021; https://www.cabeau.com/?gclid=EAIaIQobChMI7MKYvNKr5wIVFmKGCh2lowNsEAAAYASAAEgLEtvD_BwE.

* cited by examiner

Primary Examiner — Jennifer L Rempfer

(74) *Attorney, Agent, or Firm* — Workman Nydegger

(57) **CLAIM**

The ornamental design for a neck pillow, as shown and described.

DESCRIPTION

FIG. 1 is a perspective view of a neck pillow showing the new design;

FIG. 2 is a front elevation view thereof;

FIG. 3 is a back elevation view thereof;

FIG. 4 is a top plan view thereof;

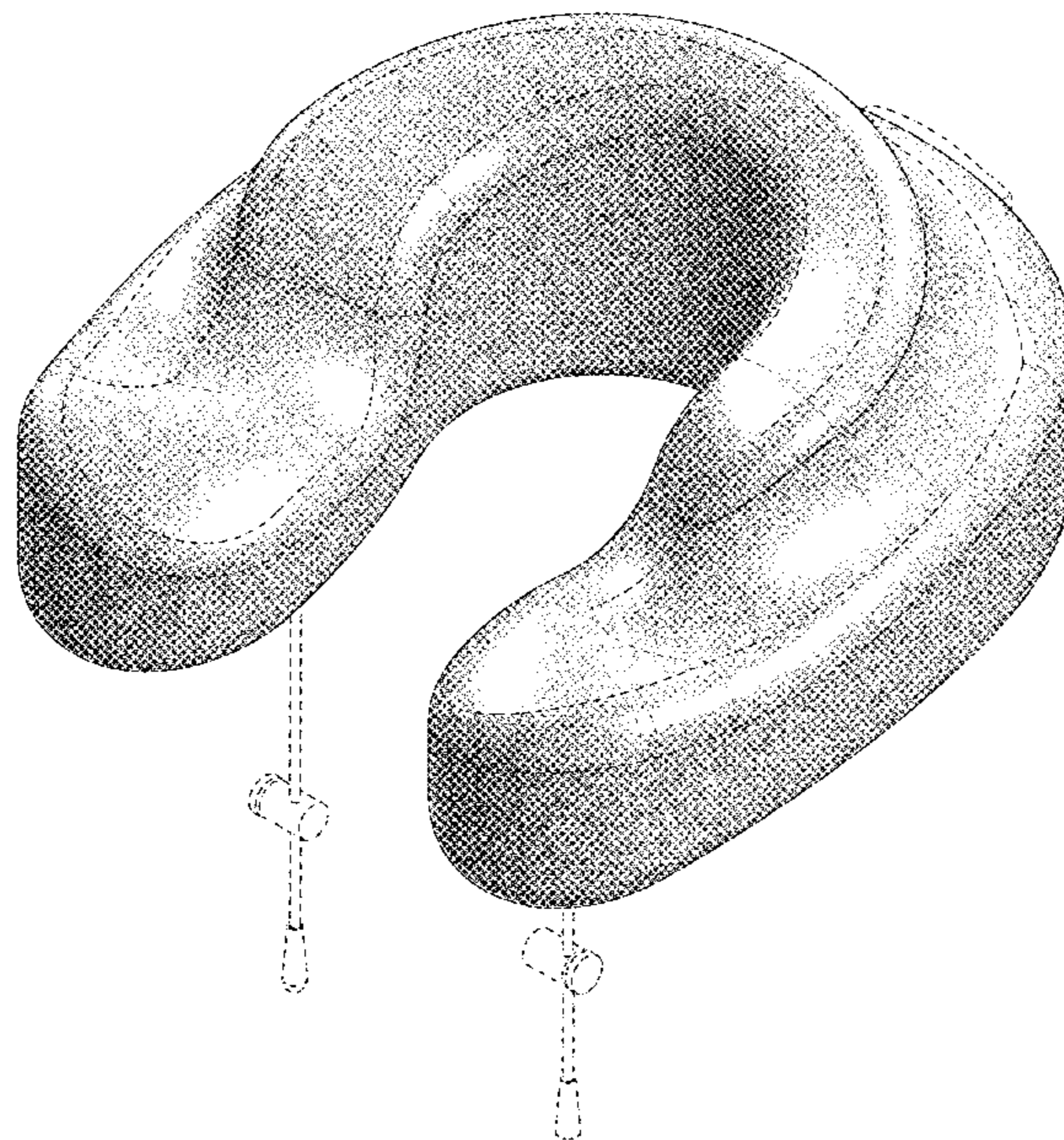
FIG. 5 is a bottom plan view thereof;

FIG. 6 is a right elevation view thereof; and,

FIG. 7 is a left elevation view thereof.

The broken lines in the drawings are for the purpose of illustrating portions of the article that form no part of the claimed design.

1 Claim, 7 Drawing Sheets



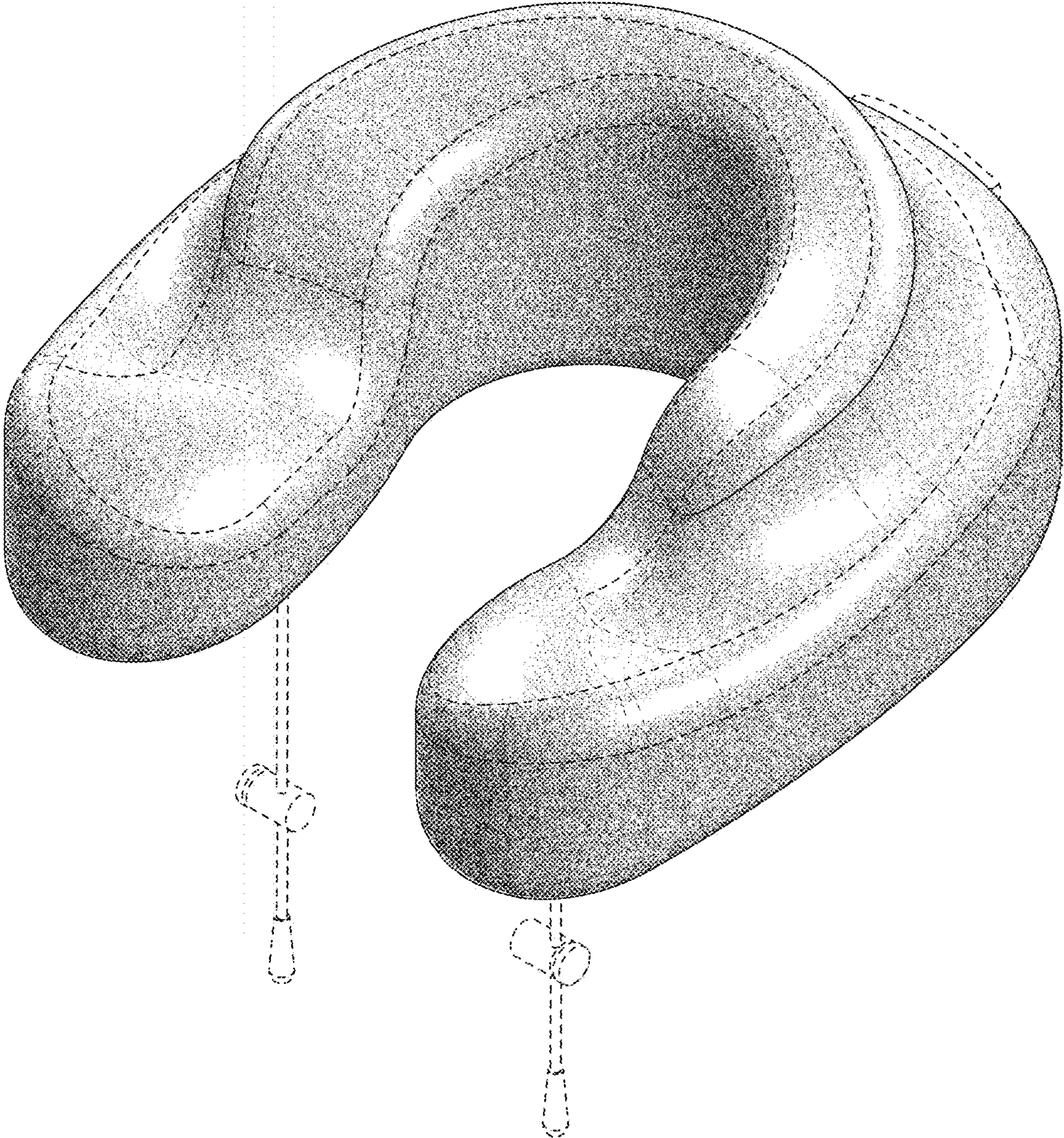


FIG. 1

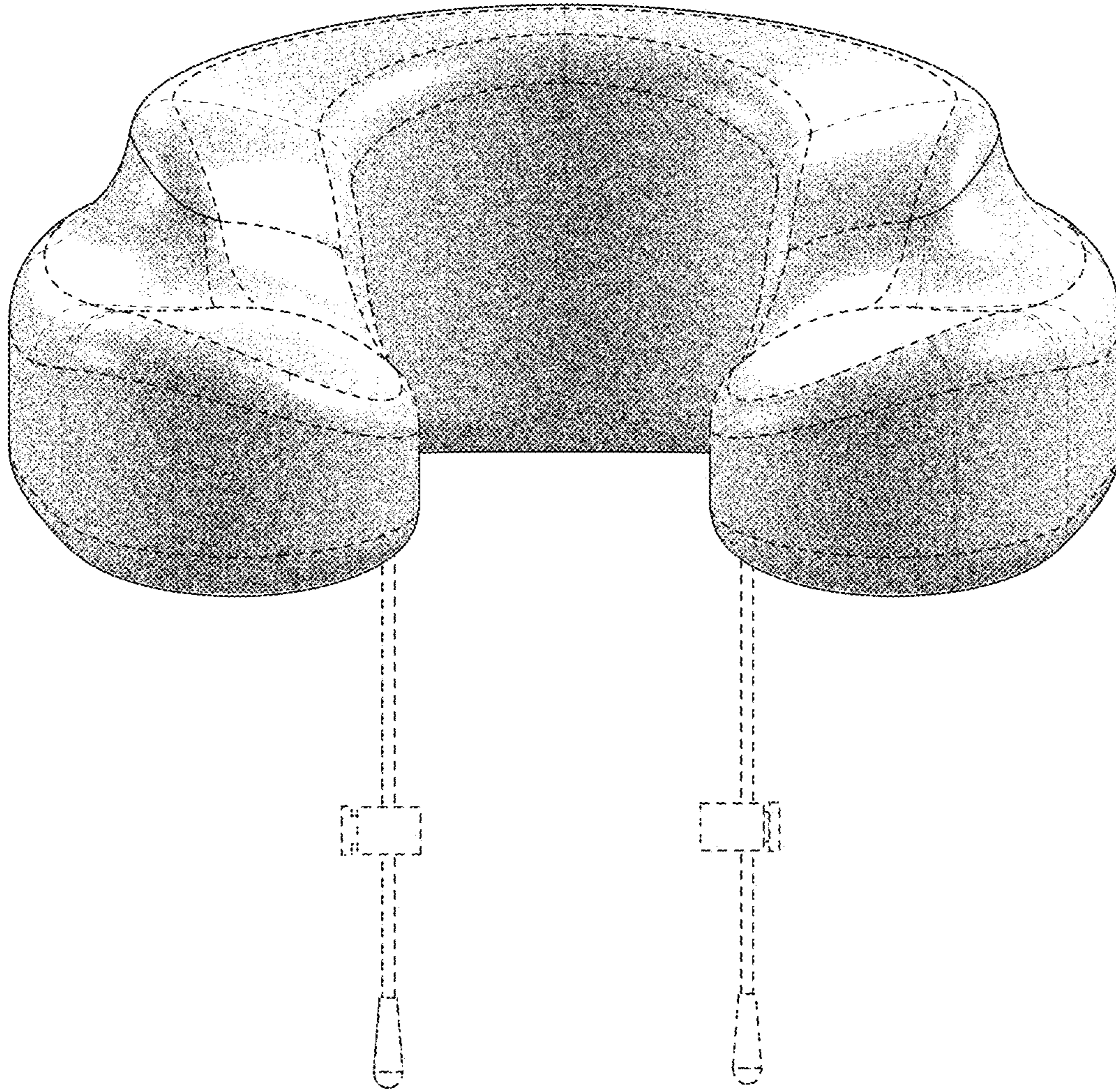


FIG. 2

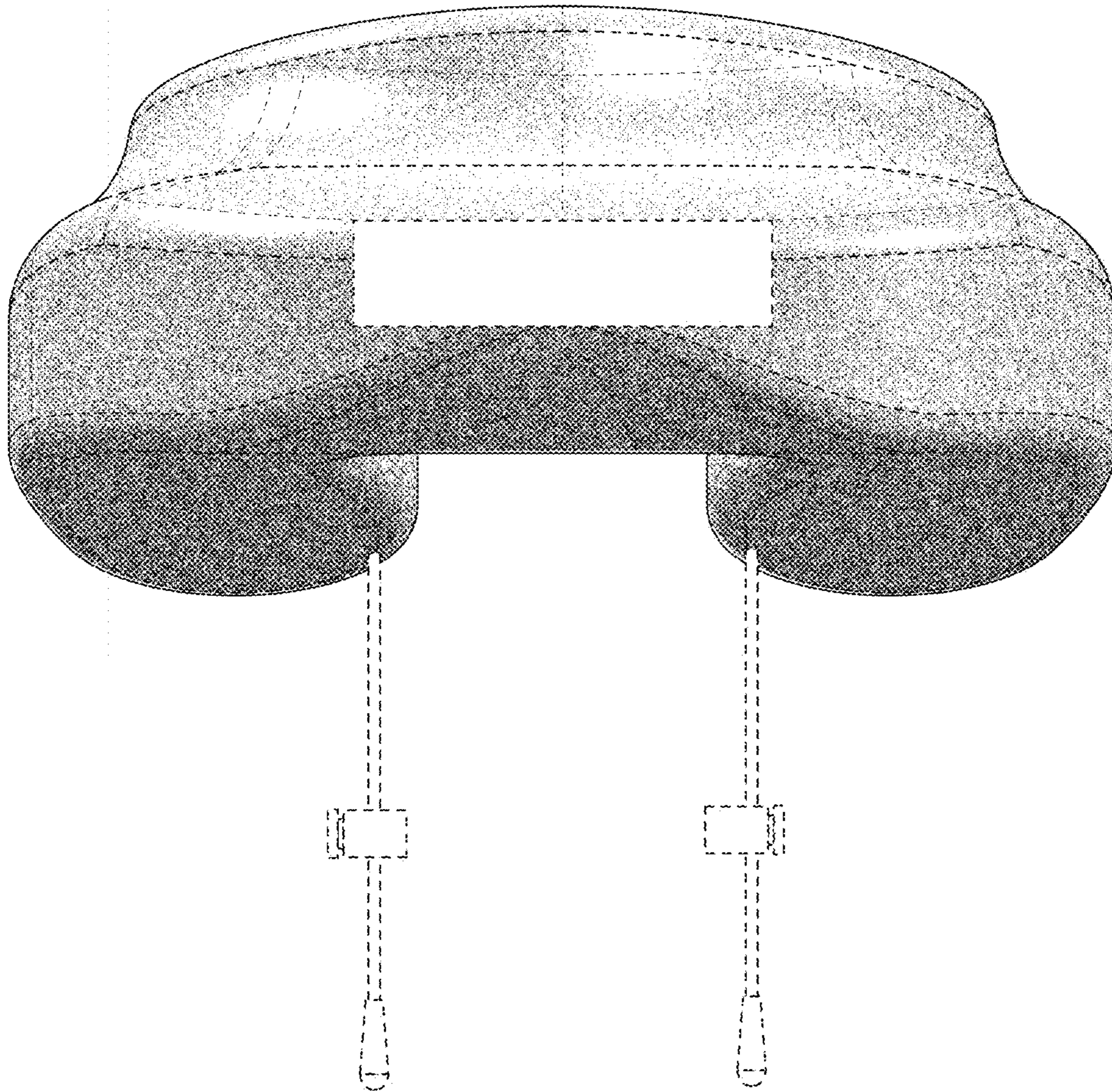


FIG. 3

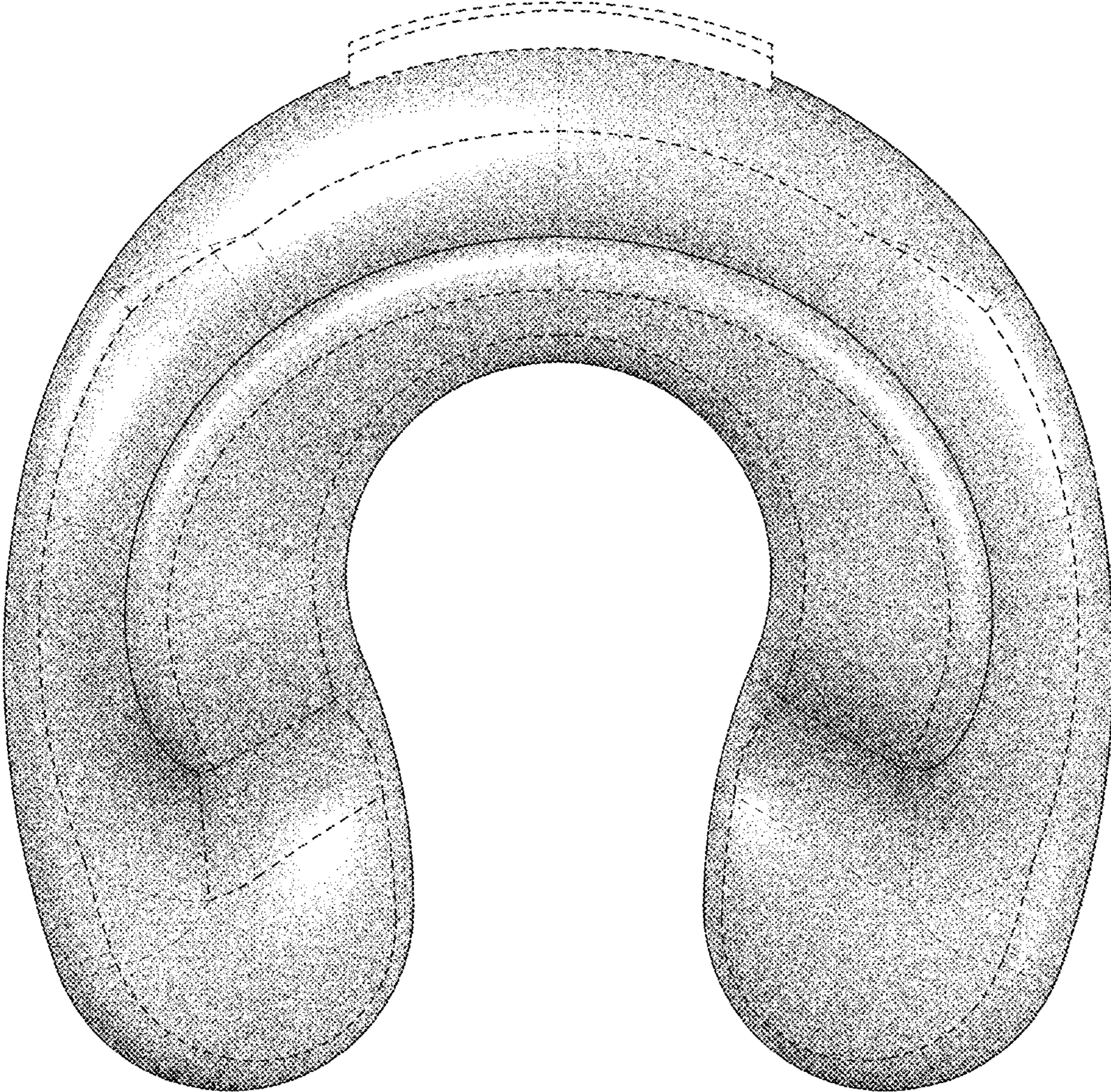


FIG. 4

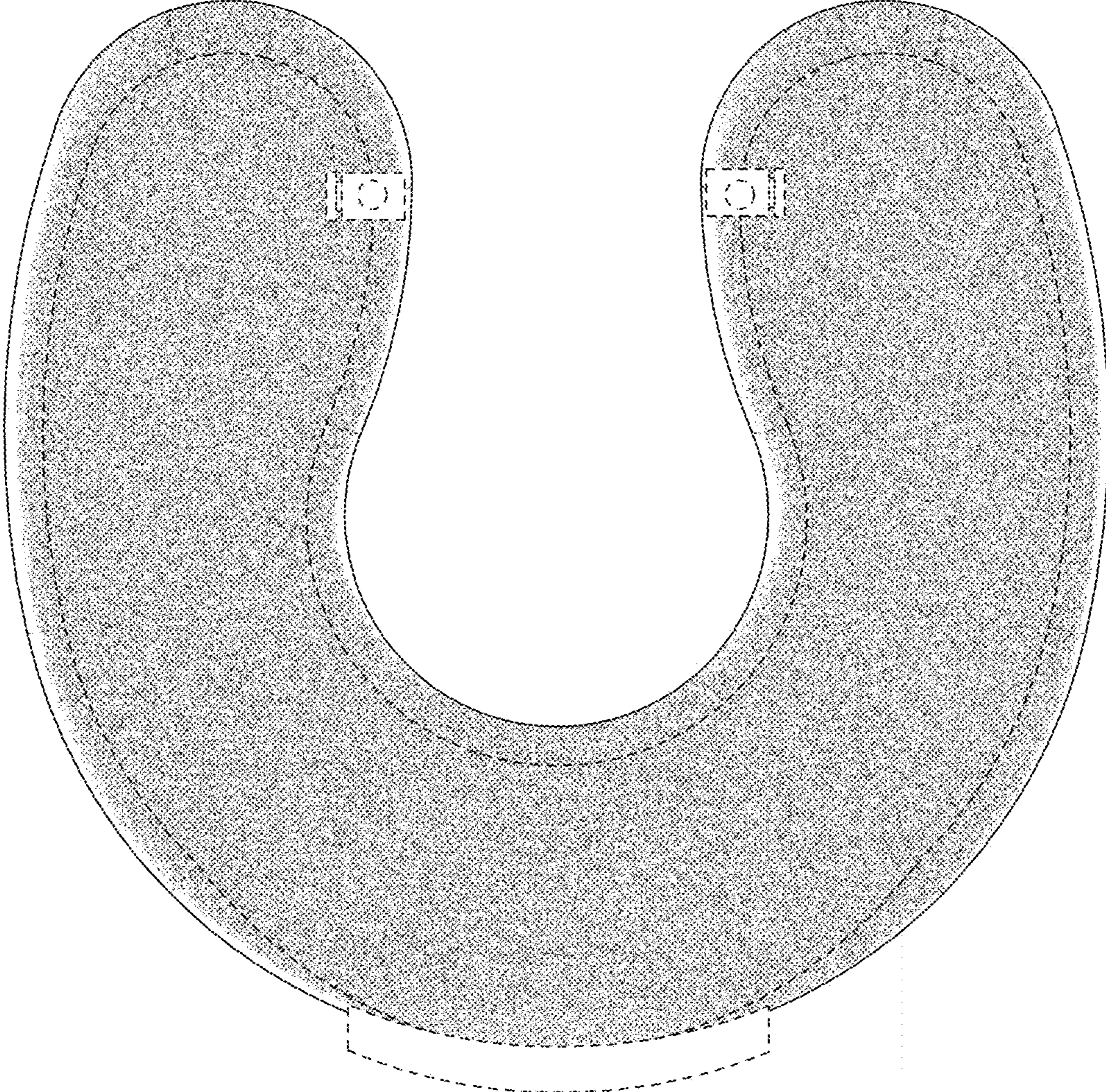


FIG. 5

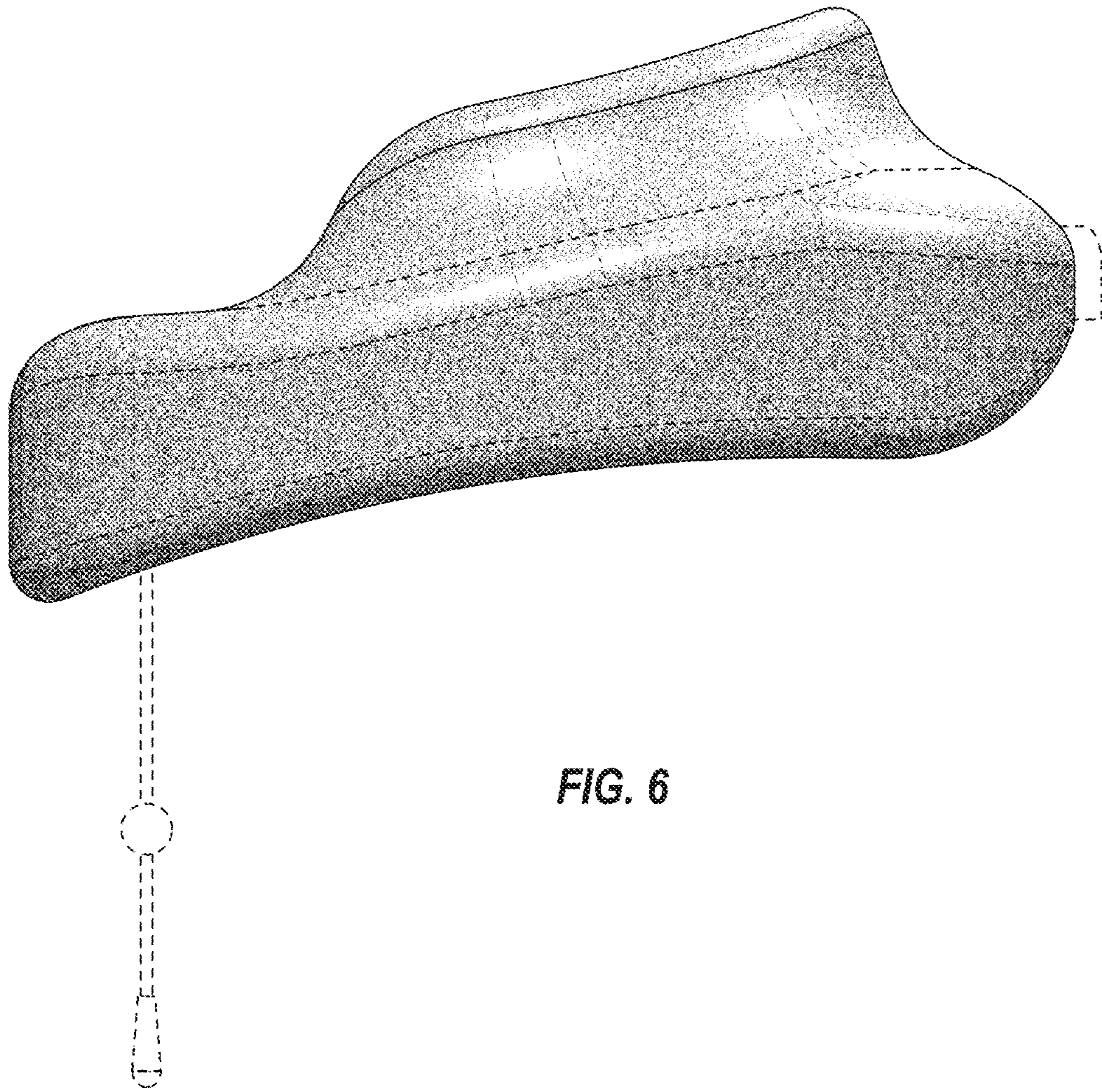


FIG. 6

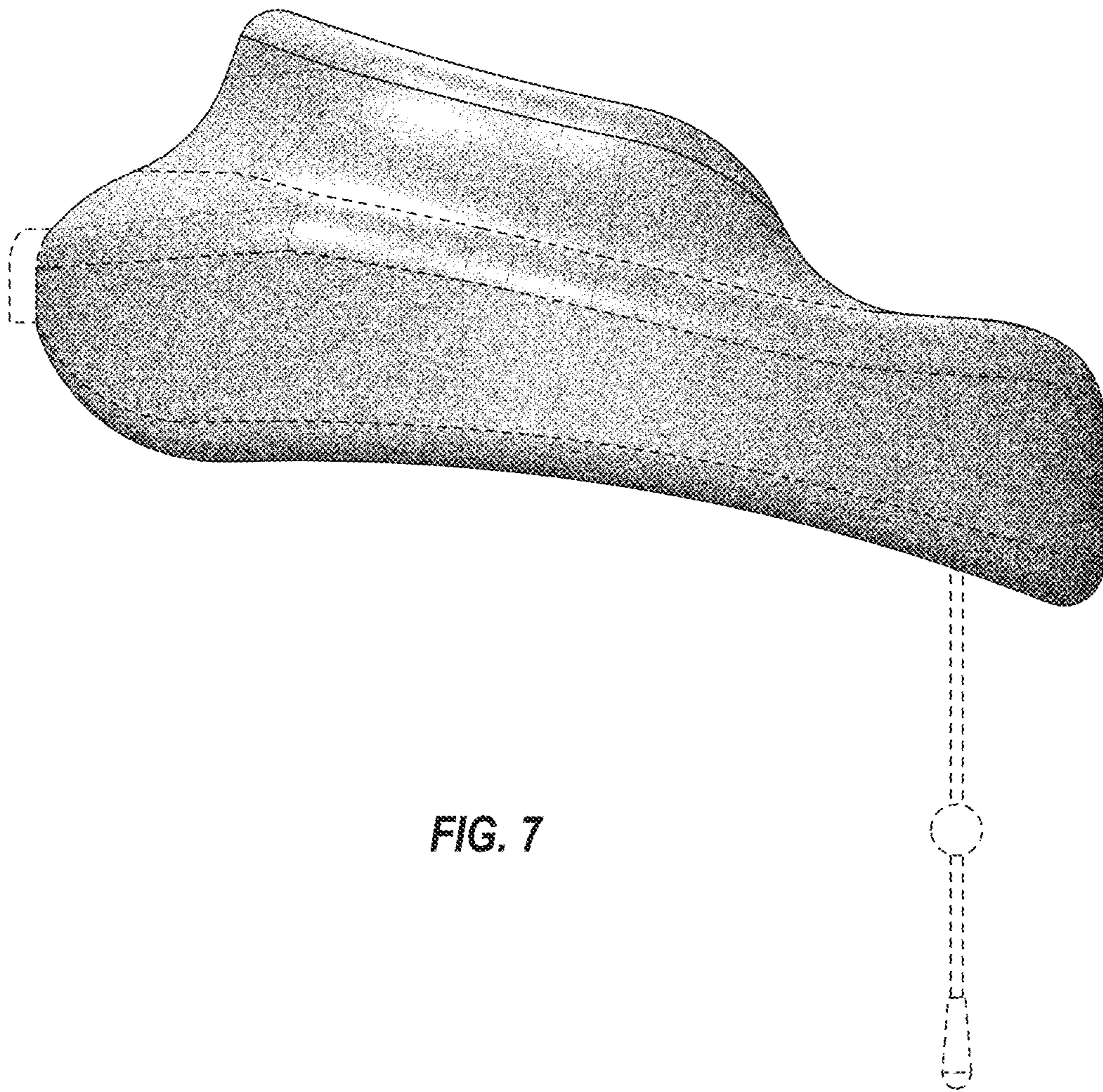


FIG. 7