



US00D920005S

(12) **United States Design Patent** (10) **Patent No.:** **US D920,005 S**  
**Brown** (45) **Date of Patent:** **\*\* May 25, 2021**

(54) **TRAVEL PILLOW**  
(71) Applicant: **Annelorrie Brown**, Royal Palm Beach, FL (US)  
(72) Inventor: **Annelorrie Brown**, Royal Palm Beach, FL (US)  
(\*\*) Term: **15 Years**  
(21) Appl. No.: **29/727,715**  
(22) Filed: **Mar. 12, 2020**  
(51) **LOC (13) Cl.** ..... **06-09**  
(52) **U.S. Cl.**  
USPC ..... **D6/601**  
(58) **Field of Classification Search**  
USPC ..... D6/349, 375, 512, 595, 596, 601, 604, D6/611, 715, 716, 716.1; D21/803, 804, D21/805, 809; D24/183-185, 234  
CPC ..... A47G 9/10; A47G 9/1009; A47G 9/1018; A47G 9/1027; A47G 9/1036; A47G 9/1045; A47G 9/1063; A47G 9/1072; A47G 9/1081; A47G 9/109  
See application file for complete search history.

9,332,850 B2 5/2016 Krishtul  
D759,406 S 6/2016 Peterson  
9,370,269 B2 6/2016 Edwards et al.  
9,801,480 B1 10/2017 McCain  
D839,636 S 2/2019 Yu et al.  
D869,196 S \* 12/2019 Shin ..... D6/601  
10,617,584 B1 \* 4/2020 Moudy ..... A61G 7/057  
10,722,058 B1 \* 7/2020 Wagner ..... A47G 9/109  
D912,437 S \* 3/2021 Yang ..... D6/601  
2008/0282474 A1 \* 11/2008 Hsin ..... A47G 9/109  
5/640  
2009/0131973 A1 5/2009 Zacharias  
2009/0307846 A1 12/2009 Eura et al.  
2010/0125955 A1 \* 5/2010 Mendez ..... A47G 9/10  
5/636  
2013/0232693 A1 9/2013 Myers  
(Continued)

*Primary Examiner* — Jennifer L Rempfer  
(74) *Attorney, Agent, or Firm* — Derek Fahey; The Plus IP Firm

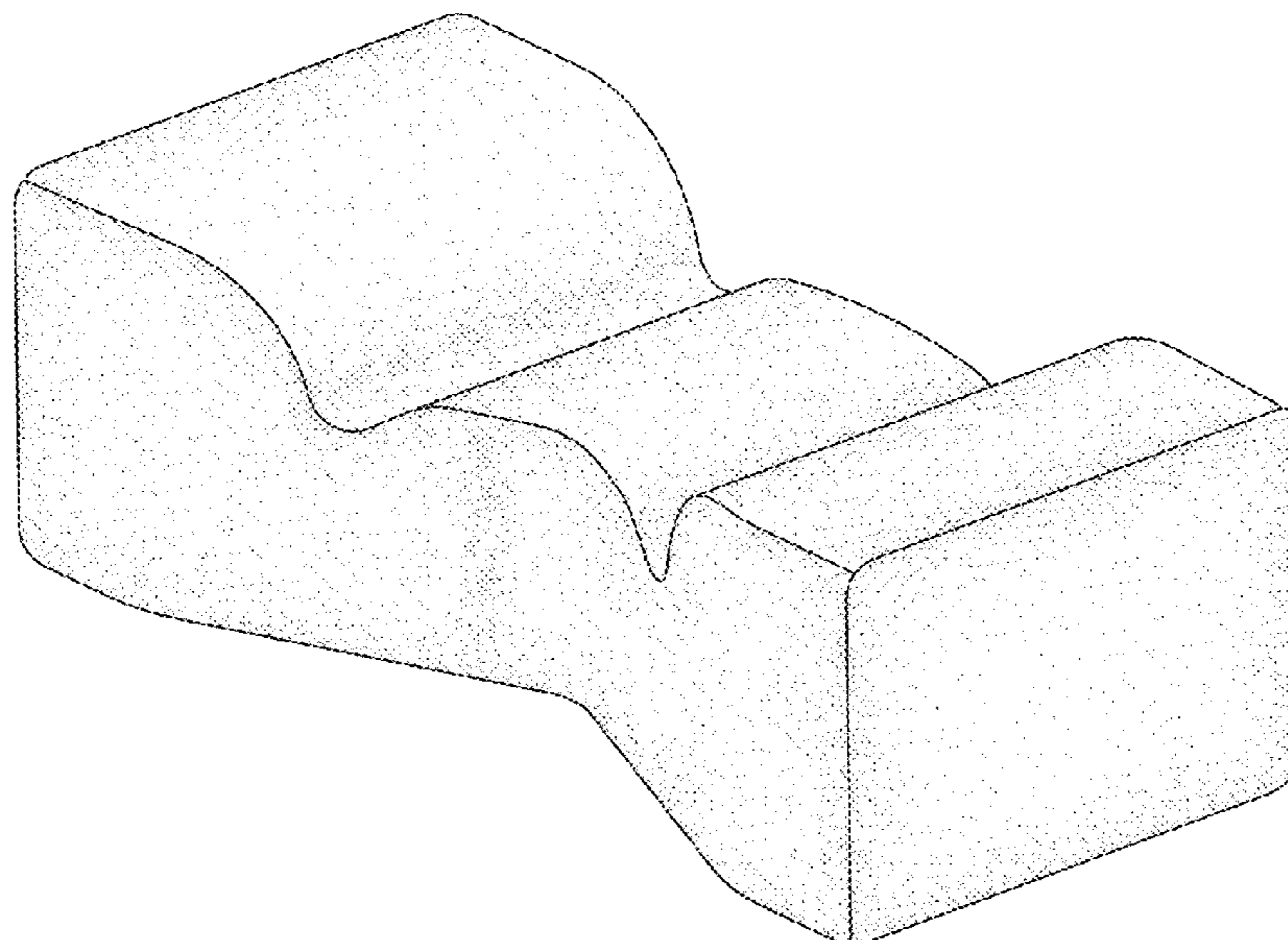
(57) **CLAIM**  
The ornamental design for a travel pillow, as shown and described.

**DESCRIPTION**

FIG. 1 is a front perspective view of the travel pillow; FIG. 2 is a front view of the travel pillow; FIG. 3 is a rear view of the travel pillow; FIG. 4 is a top view of the travel pillow; FIG. 5 is a first side view of the travel pillow; FIG. 6 is a side view of the travel pillow; FIG. 7 is a rear perspective view of the travel pillow; and, FIG. 8 is a bottom view of the travel pillow shown in FIG. 1.  
The dashed or broken lines in the FIGS. 3 and 7 illustrate a zipper, a commonly used device for binding the edges of an opening of the travel pillow fabric material, and form no part of the claimed design.

**1 Claim, 8 Drawing Sheets**

(56) **References Cited**  
U.S. PATENT DOCUMENTS  
6,564,407 B1 5/2003 Luu et al.  
6,671,906 B1 \* 1/2004 Milligan ..... A47G 9/109  
5/636  
6,671,907 B1 1/2004 Zuberi  
6,981,288 B1 \* 1/2006 Hu ..... A47G 9/10  
5/636  
7,707,668 B2 5/2010 Kloes et al.  
D645,693 S 9/2011 Rothbard  
D657,468 S \* 4/2012 Held ..... D24/184  
8,572,780 B1 11/2013 Watters  
D732,312 S 6/2015 Tiffin  
9,113,732 B2 8/2015 Loth  
9,289,082 B1 3/2016 White et al.



(56)

**References Cited**

U.S. PATENT DOCUMENTS

2015/0089743 A1 4/2015 Haworth et al.  
2018/0042410 A1 2/2018 Garfield et al.  
2018/0146807 A1 5/2018 Silver et al.  
2019/0069698 A1\* 3/2019 Lin ..... A47C 20/02

\* cited by examiner

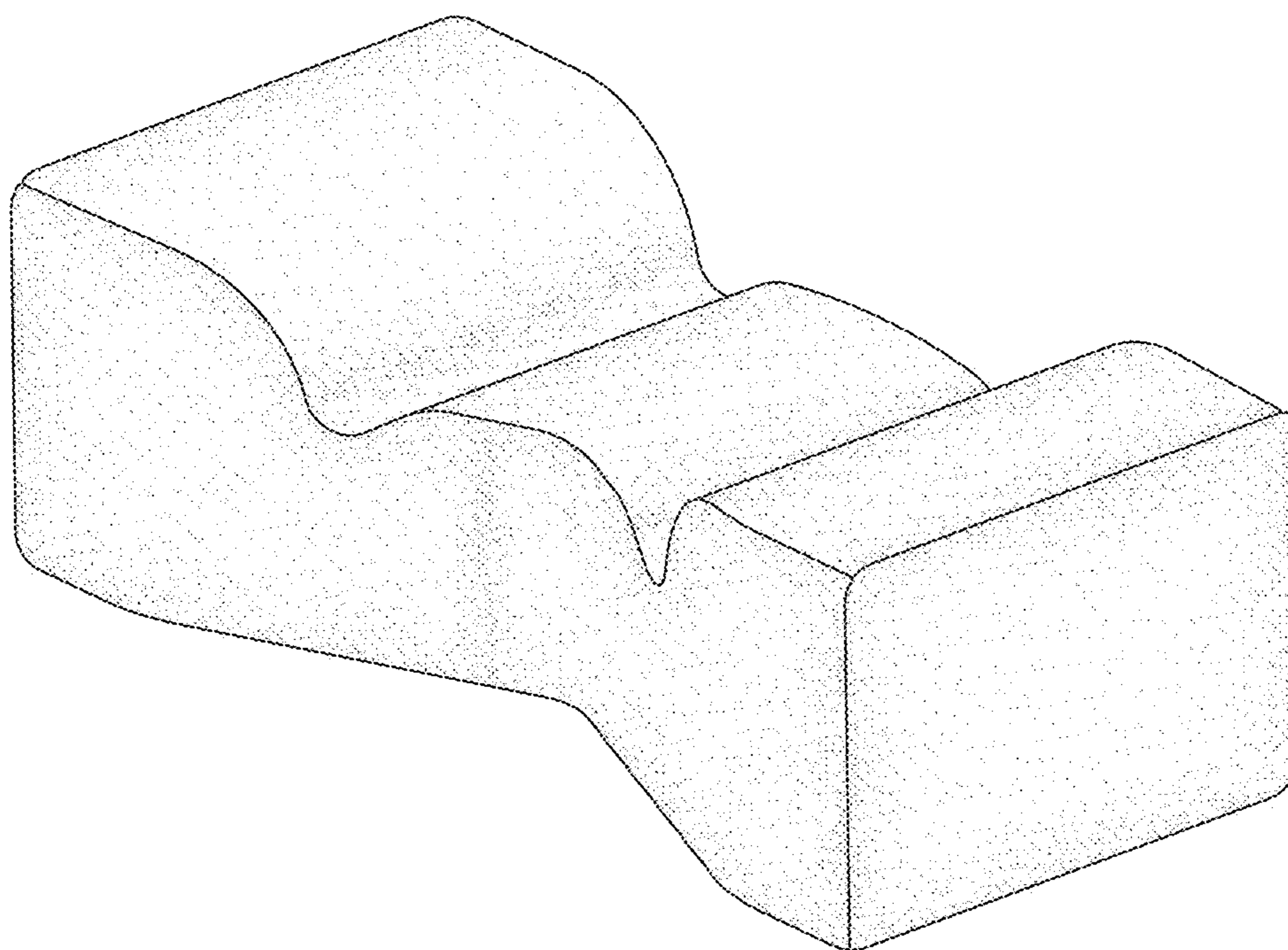


FIG. 1

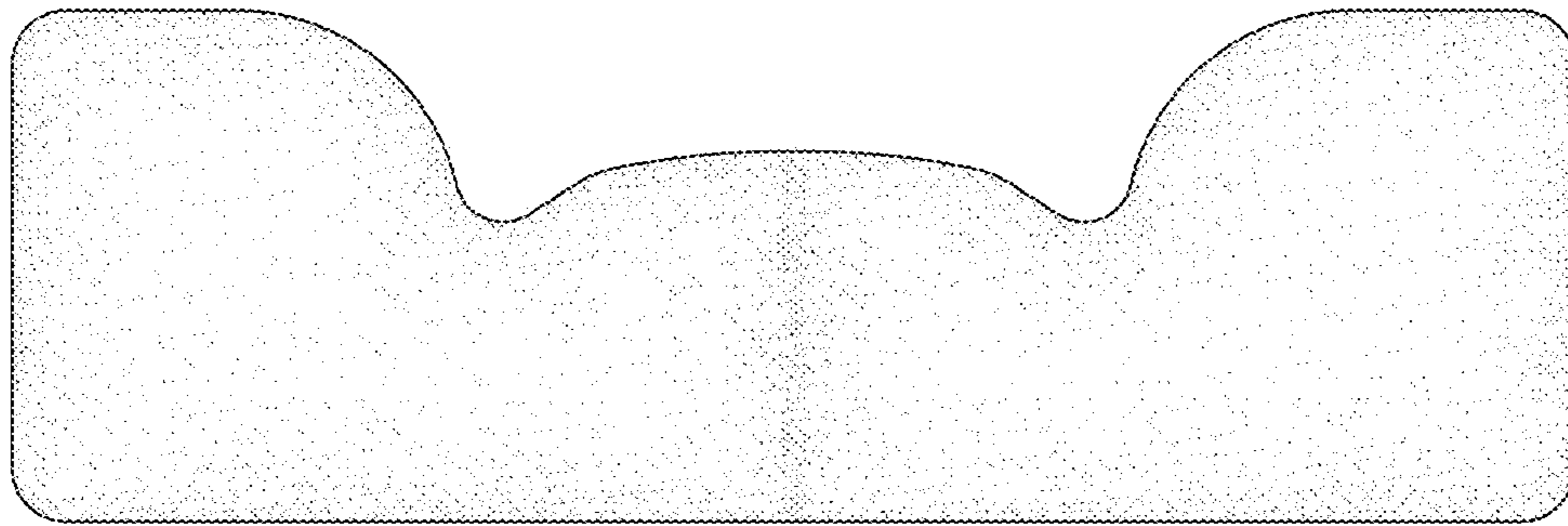


FIG. 2

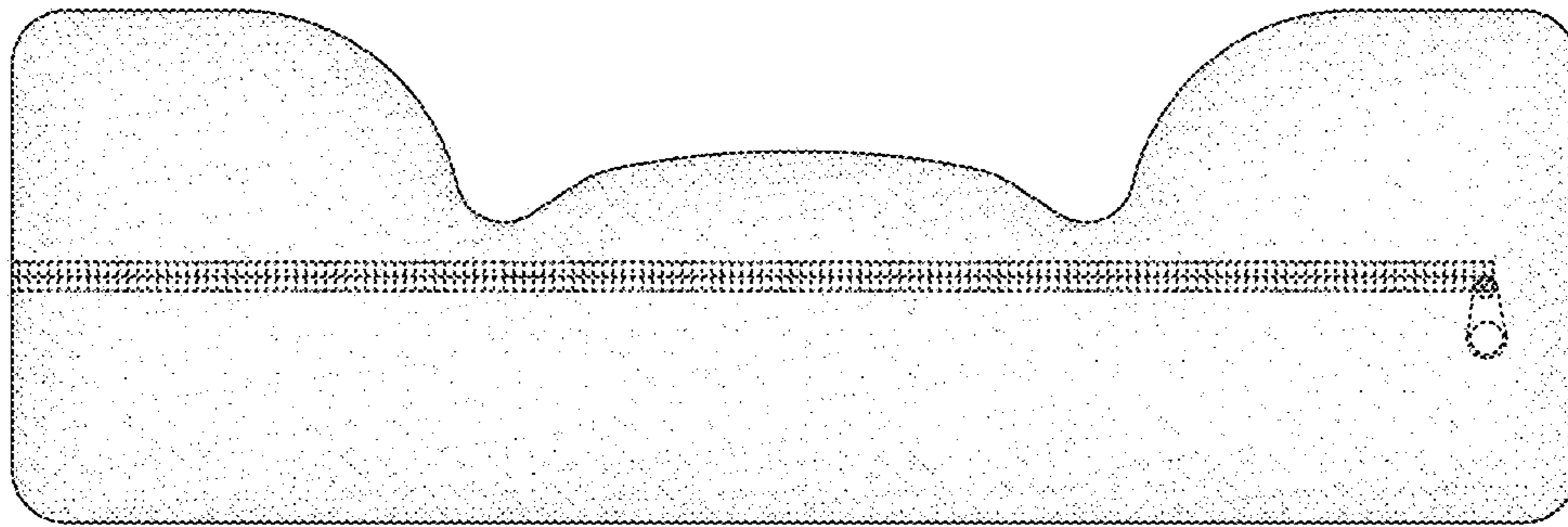


FIG. 3



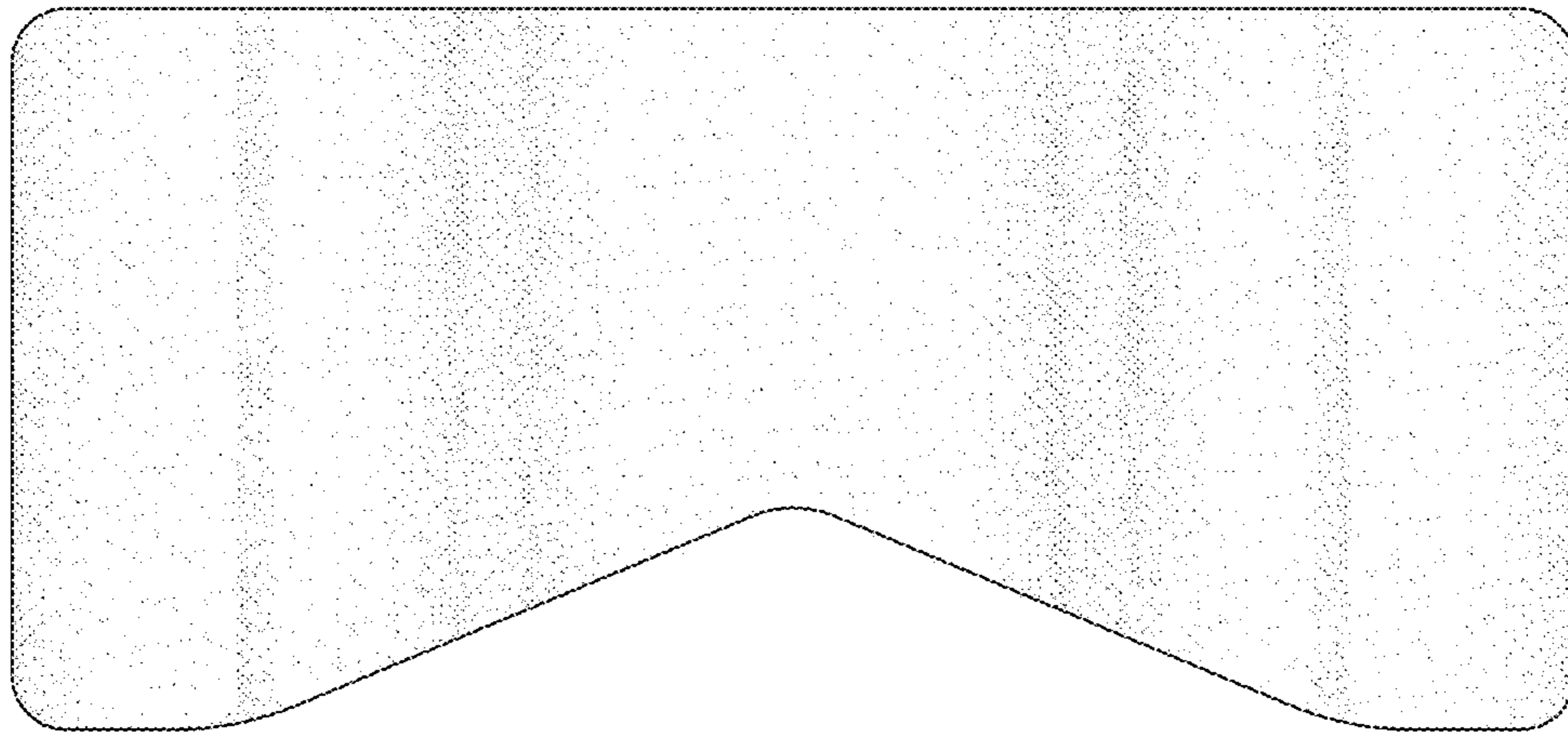


FIG. 4

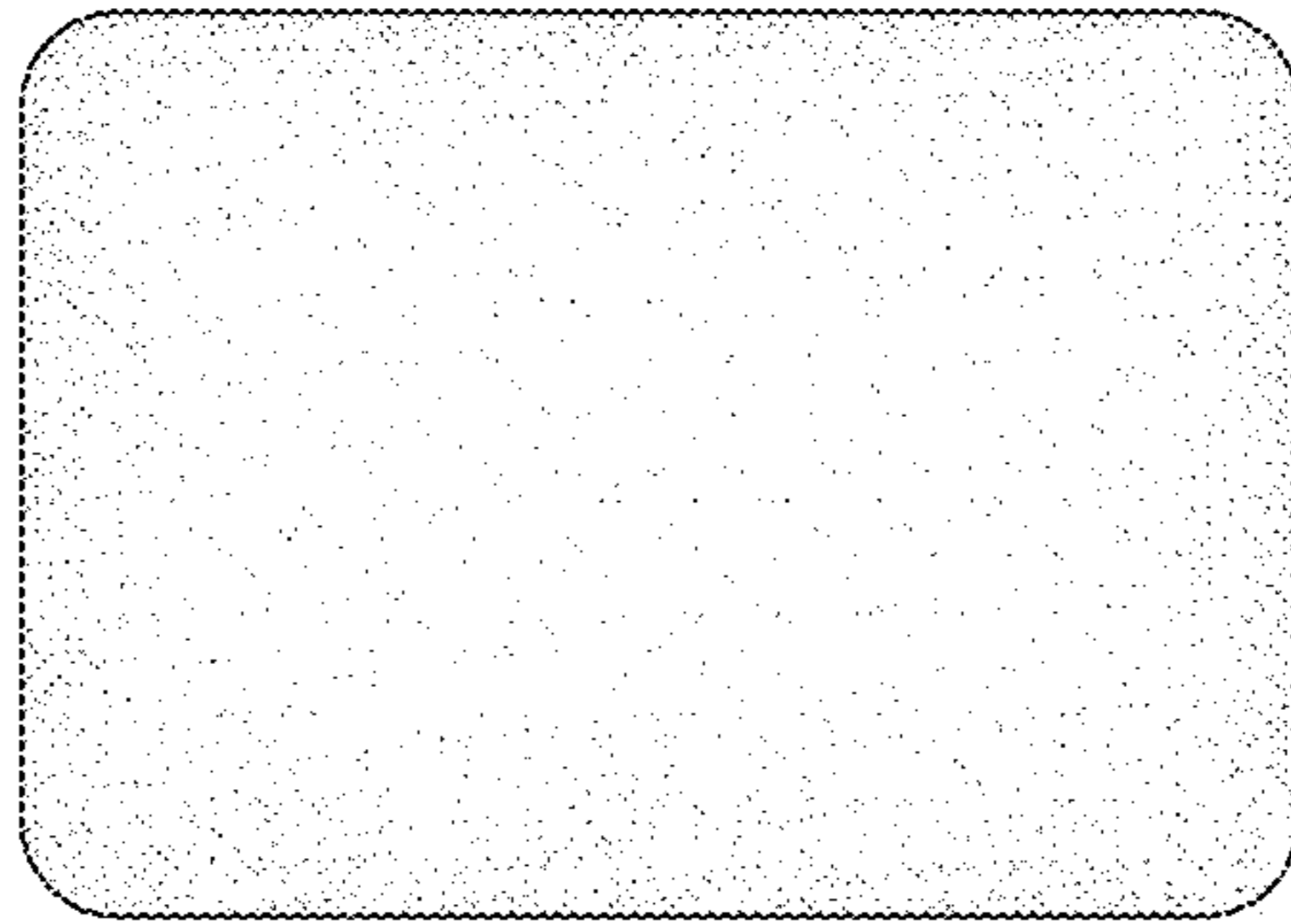


FIG. 5

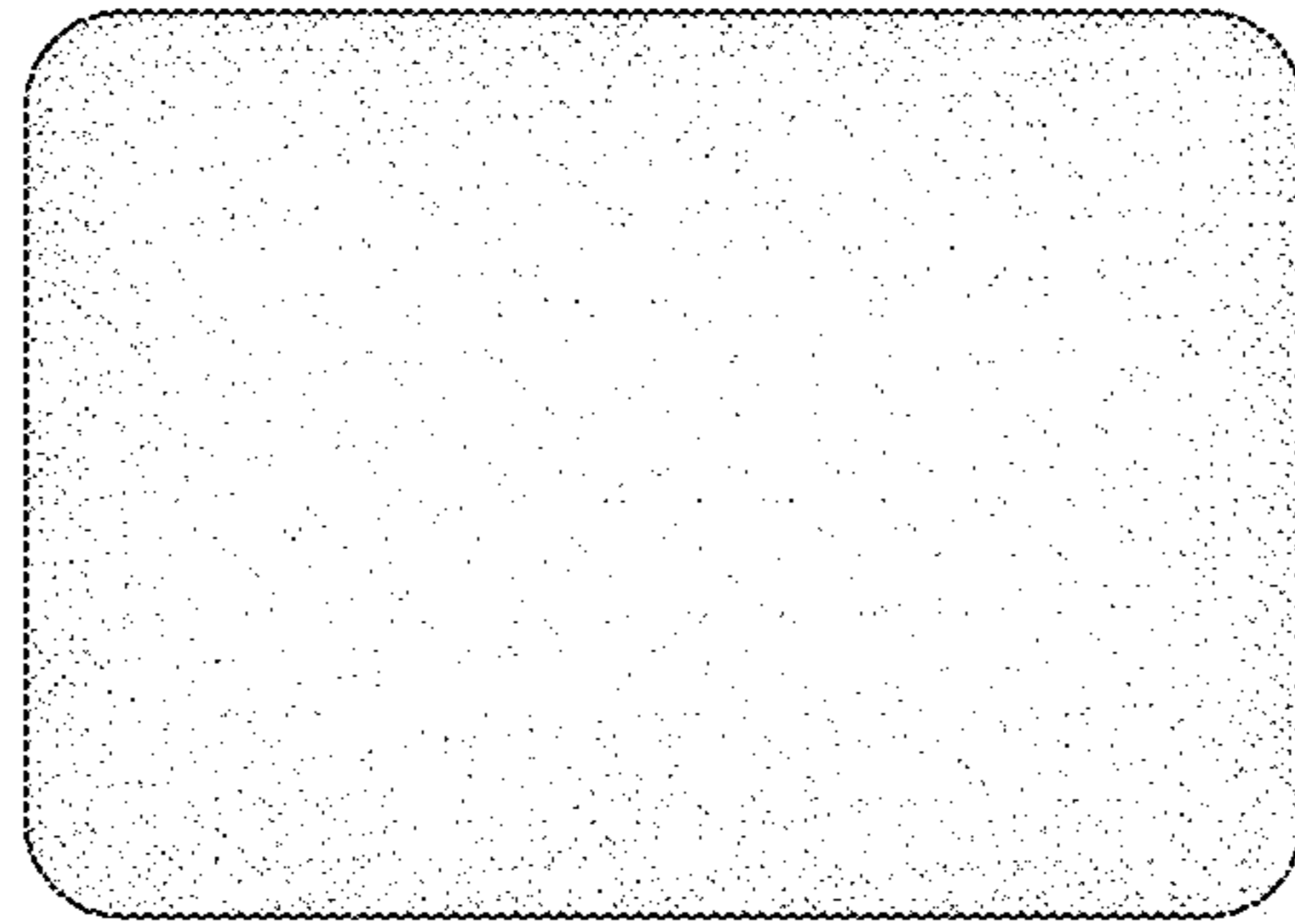


FIG. 6



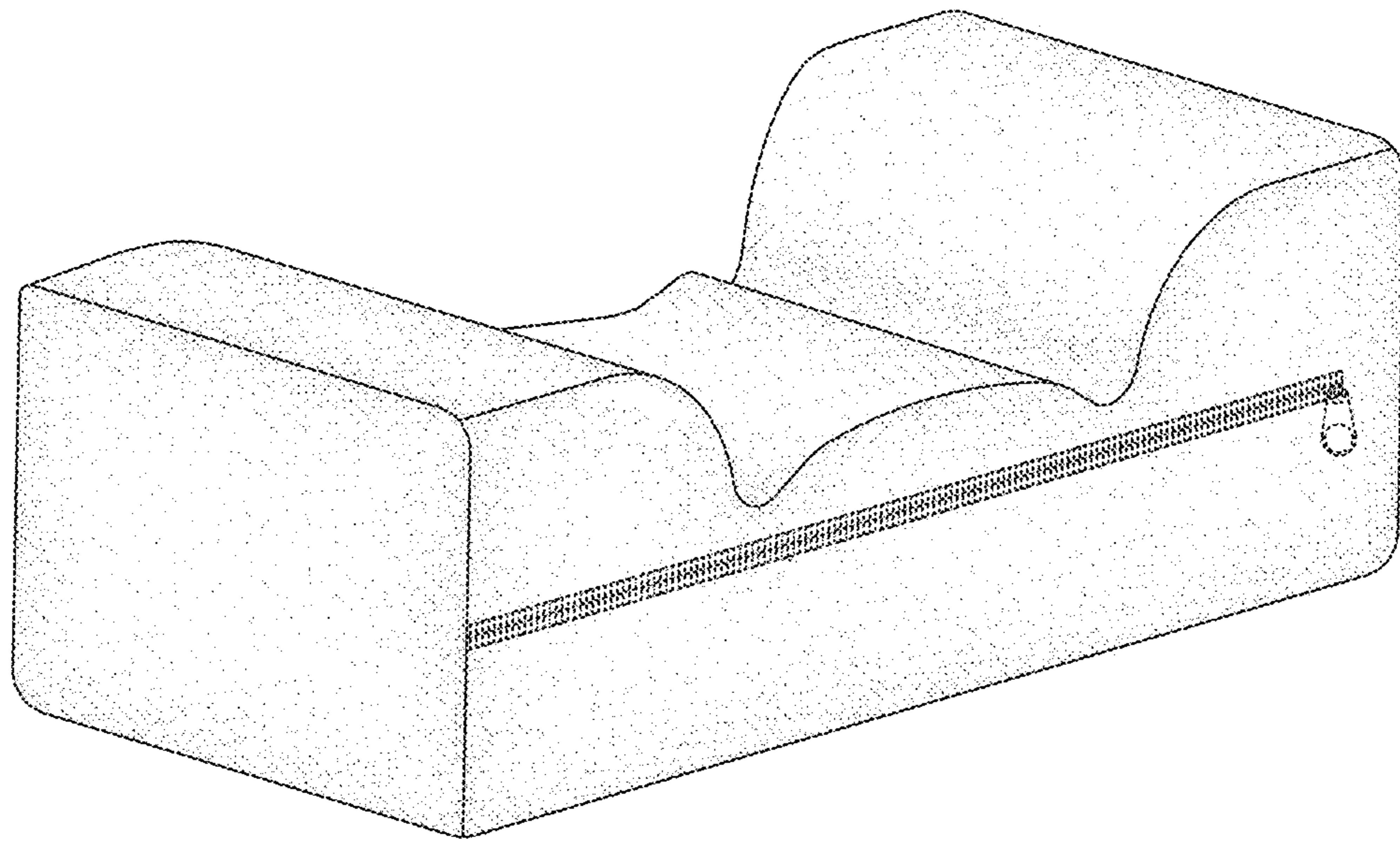


FIG. 7

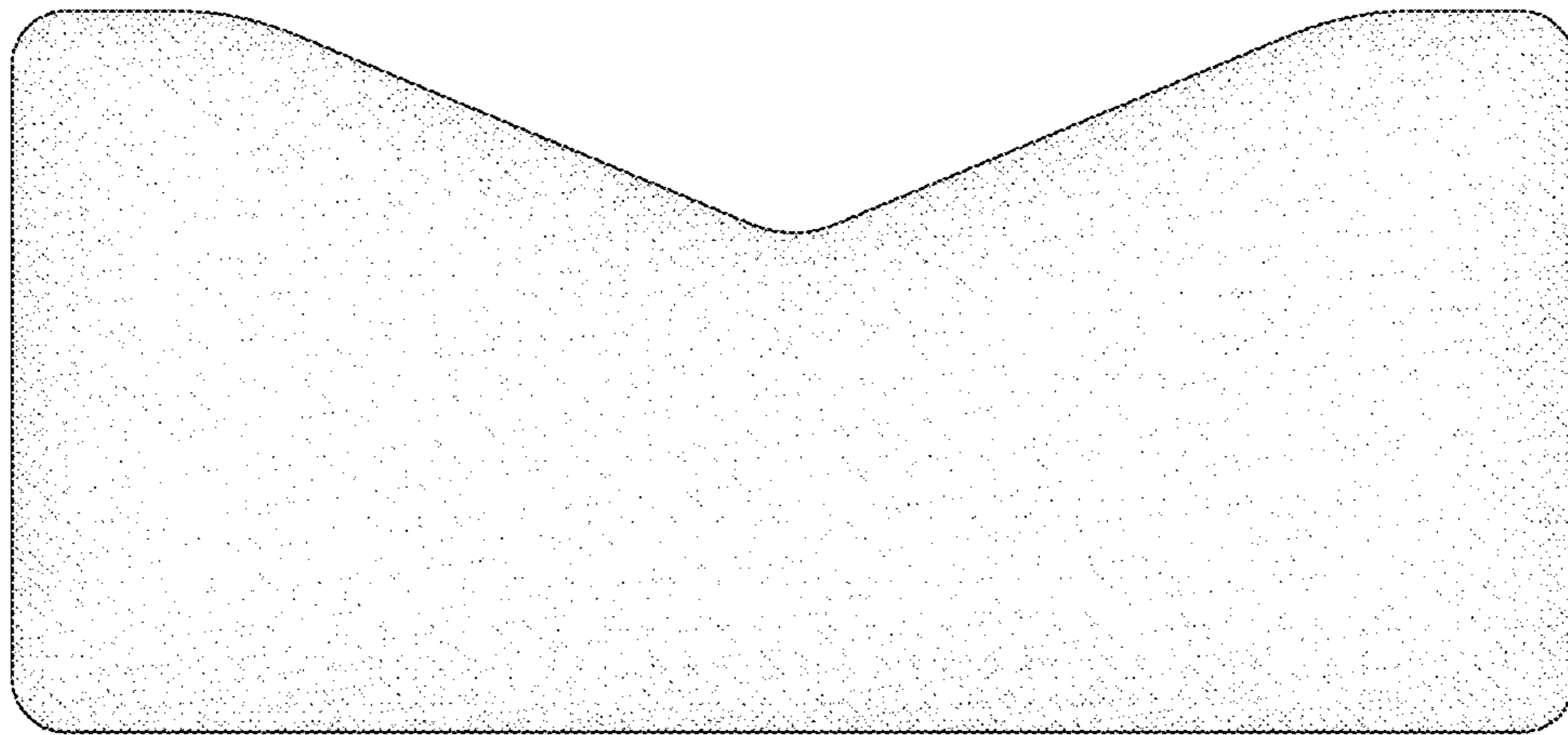


FIG. 8