



US00D920004S

(12) **United States Design Patent**  
**Chiquin**

(10) **Patent No.:** **US D920,004 S**

(45) **Date of Patent:** **\*\* \*May 25, 2021**

(54) **ROLLER SHADE CASSETTE COVER**

3,402,421 A 9/1968 Weber

3,417,519 A 12/1968 Hitter

3,454,073 A 7/1969 Man

4,122,559 A 10/1978 Kelly

(Continued)

(71) Applicant: **VERTILUX LIMITED**, Medley, FL (US)

(72) Inventor: **Edwin Chiquin**, Miami, FL (US)

(73) Assignee: **VERTILUX LIMITED**, Medley, FL (US)

**FOREIGN PATENT DOCUMENTS**

BG 6230-0011 9/2006

BG 6230-0016 9/2006

(Continued)

(\*) Notice: This patent is subject to a terminal disclaimer.

(\*\*) Term: **15 Years**

**OTHER PUBLICATIONS**

Bing Search, <http://www.quebanana.com/tienda/ver/herrajesmarino/145224>, Aug. 22, 2013.

(Continued)

(21) Appl. No.: **29/735,903**

(22) Filed: **May 26, 2020**

**Related U.S. Application Data**

(63) Continuation-in-part of application No. 29/644,866, filed on Apr. 20, 2018, now Pat. No. Des. 885,084.

(51) **LOC (13) Cl.** ..... **06-10**

(52) **U.S. Cl.**  
USPC ..... **D6/580**

(58) **Field of Classification Search**

USPC ..... D6/575-581; D8/358; D13/155; D25/119, 121, 123, 125; D26/138  
CPC ..... E06B 2009/2622; E06B 2009/285; E06B 9/26; E06B 9/262; E06B 9/30; E06B 9/302; E06B 9/306; E06B 9/307; E06B 9/322; E06B 9/323; E06B 9/324; E06B 9/386; E06B 9/388; E06B 9/40; E06B 9/42; E06B 9/521; E06B 9/56; E06B 9/60; E06B 9/78

See application file for complete search history.

*Primary Examiner* — Kevin K Rudzinski

*Assistant Examiner* — Clare Ann Gannon

(74) *Attorney, Agent, or Firm* — Malloy & Malloy, P.L.

(57) **CLAIM**

The ornamental design for roller shade cassette cover, as shown and described.

**DESCRIPTION**

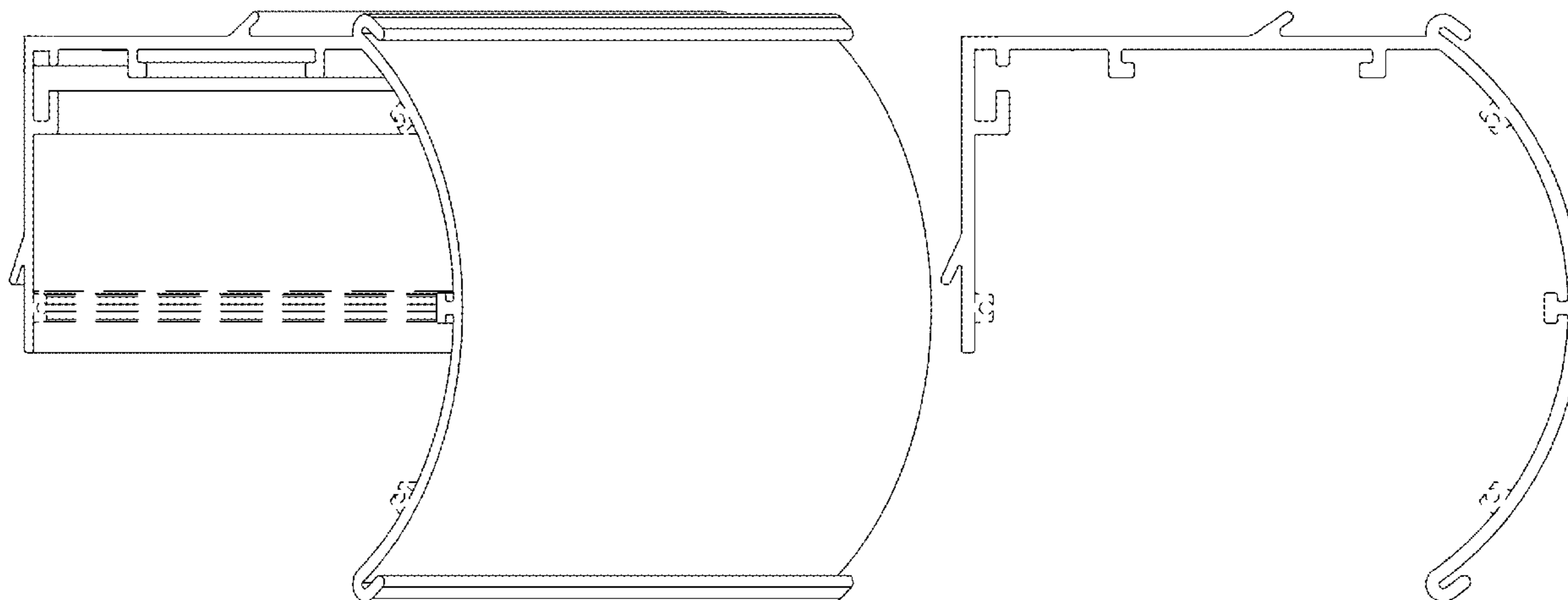
FIG. 1 is a front perspective view illustrating my design for a roller shade cassette cover;  
FIG. 2 is a front perspective view thereof;  
FIG. 3 is a right side view thereof;  
FIG. 4 is a left side view thereof;  
FIG. 5 is a top view thereof;  
FIG. 6 is a top perspective view thereof;  
FIG. 7 is a rear view thereof;  
FIG. 8 is a rear perspective view thereof;  
FIG. 9 is a bottom view thereof; and,  
FIG. 10 is a bottom perspective view thereof.  
The broken lines in the drawings are included for purposes of illustrating portions of the roller shade cassette cover, but form no part of the claimed design.

(56) **References Cited**

**U.S. PATENT DOCUMENTS**

2,549,905 A 4/1951 Jablon  
3,297,075 A 1/1967 Howell et al.

**1 Claim, 10 Drawing Sheets**



(56)

References Cited

U.S. PATENT DOCUMENTS

4,197,896 A 4/1980 Reichstadt  
 D259,810 S 7/1981 Dallaire  
 D260,183 S 8/1981 Dallaire  
 D271,055 S 10/1983 Cascone et al.  
 4,840,216 A 6/1989 John  
 4,935,988 A 6/1990 Ford et al.  
 4,987,943 A 1/1991 Charest  
 5,137,073 A 8/1992 Huang  
 5,232,039 A 8/1993 Shapiro et al.  
 5,259,687 A 11/1993 John  
 5,271,687 A 12/1993 Holka et al.  
 D345,498 S 3/1994 Fraser et al.  
 5,296,964 A 3/1994 Shopp  
 5,330,821 A 7/1994 Lo  
 D353,209 S 12/1994 Dallaire et al.  
 D355,094 S 2/1995 Josephson  
 D355,604 S 2/1995 De Baschmakoff  
 D382,651 S 8/1997 Colitto  
 D382,652 S 8/1997 Colitto  
 5,803,144 A 9/1998 Ives  
 D405,194 S 2/1999 Kenkel  
 5,924,255 A 7/1999 Vagedes  
 5,975,186 A 11/1999 Day  
 D429,588 S 8/2000 Smederod  
 6,111,694 A 8/2000 Shopp  
 6,173,825 B1 1/2001 Liu  
 6,196,508 B1 3/2001 Nijs  
 6,202,967 B1 3/2001 Fraczek  
 D440,099 S 4/2001 Horsten  
 6,230,782 B1 5/2001 Reichert  
 6,234,233 B1 5/2001 Biro  
 6,269,909 B1 8/2001 Grimes et al.  
 6,408,922 B2 6/2002 Desrochers  
 6,532,109 B1 3/2003 Shopp  
 6,666,251 B2 12/2003 Ikle  
 D489,209 S 5/2004 Goldberg  
 6,739,373 B1 5/2004 Liu et al.  
 D494,401 S 8/2004 Davies et al.  
 6,817,399 B2 11/2004 Berman et al.  
 6,817,402 B1 11/2004 Fraczek et al.  
 7,048,028 B2 5/2006 Wolfe et al.  
 D530,967 S 10/2006 Smith  
 7,141,164 B2 11/2006 Slack et al.  
 D537,173 S 2/2007 Westphal et al.  
 7,195,052 B2 3/2007 Nien et al.  
 D542,068 S 5/2007 Watkins et al.  
 7,210,513 B2 5/2007 Goldenberg et al.  
 D557,116 S 12/2007 Zakowski  
 7,353,857 B2 4/2008 Koop  
 7,367,536 B1 5/2008 Anderson et al.  
 7,380,582 B1 6/2008 Anderson et al.  
 D573,267 S 7/2008 Brinton et al.  
 D596,435 S 7/2009 Wills  
 D616,567 S 5/2010 Desrosiers et al.  
 D616,568 S 5/2010 Desrosiers et al.  
 D634,573 S 3/2011 Risher  
 7,997,041 B2 8/2011 Slack et al.  
 D652,568 S 1/2012 Trzesniowski  
 8,136,569 B2 3/2012 Bohlen et al.  
 8,220,520 B2 7/2012 Lukos  
 D675,050 S 1/2013 Garcia  
 D680,357 S 4/2013 Wills et al.  
 8,480,048 B2 7/2013 Krantz-Lilienthal  
 8,528,623 B2 9/2013 Roberts  
 D694,039 S 11/2013 Licciardi Di Stefano  
 8,584,317 B2 11/2013 Liebscher et al.  
 D699,976 S 2/2014 Chou  
 D710,128 S 8/2014 Garcia  
 D715,629 S 10/2014 Grubb et al.  
 8,960,621 B2 2/2015 Wills  
 9,004,142 B2 4/2015 Marocco  
 9,060,636 B2 6/2015 Cannaverde  
 D740,589 S 10/2015 Ng  
 D753,933 S 4/2016 Ng  
 D759,400 S 6/2016 Watkins

D762,398 S 8/2016 Ng  
 9,498,079 B2 11/2016 Sanchuk  
 D775,939 S 1/2017 Ng  
 D780,945 S 3/2017 Guillemi  
 D789,454 S 6/2017 Prisnie  
 D791,580 S 7/2017 Chou  
 D808,684 S 1/2018 Santilli  
 D808,685 S 1/2018 Raiti  
 D822,228 S 7/2018 Wang et al.  
 D828,052 S 9/2018 Bouroullec et al.  
 D833,175 S 11/2018 Miroshnichenko et al.  
 D843,130 S 3/2019 Bacal  
 10,309,153 B2 6/2019 McPherson et al.  
 D854,192 S 7/2019 Rokvic  
 D854,855 S \* 7/2019 Garcia Garcia ..... D6/580  
 D854,856 S 7/2019 Garcia Garcia  
 10,407,905 B2 \* 9/2019 Neal ..... F21V 21/025  
 10,544,621 B2 1/2020 Mocanu et al.  
 D885,084 S \* 5/2020 Chiquin ..... F21V 21/025  
 D6/580  
 2003/0178276 A1 9/2003 Fraczek et al.  
 2004/0182522 A1 9/2004 Strand et al.  
 2005/0247413 A1 11/2005 Nien et al.  
 2006/0000559 A1 1/2006 Bohlen  
 2006/0049325 A1 3/2006 Jung  
 2006/0243402 A1 11/2006 Chang  
 2007/0169900 A1 7/2007 Chen et al.  
 2007/0284051 A1 12/2007 Grimes et al.  
 2009/0229767 A1 9/2009 Mullet et al.  
 2009/0250177 A1 10/2009 Byeon  
 2009/0258752 A1 10/2009 Bohlen et al.  
 2010/0101741 A1 4/2010 Koop  
 2010/0175838 A1 7/2010 Faller et al.  
 2010/0300631 A1 12/2010 Sullivan  
 2011/0006176 A1 1/2011 Krantz-Lilienthal  
 2011/0114809 A1 5/2011 Ng  
 2012/0012262 A1 1/2012 Santoro et al.  
 2012/0031572 A1 2/2012 Ng et al.  
 2012/0255686 A1 10/2012 Huang  
 2013/0048229 A1 2/2013 Dwarka  
 2013/0068405 A1 3/2013 Lava et al.  
 2013/0098563 A1 4/2013 Jang  
 2014/0048218 A1 2/2014 Ng  
 2014/0251558 A1 9/2014 Chou  
 2014/0262076 A1 9/2014 Mullet et al.  
 2014/0305602 A1 10/2014 Kirby et al.  
 2014/0352897 A1 12/2014 Mullet et al.  
 2015/0027059 A1 1/2015 Lu et al.  
 2015/0240851 A1 10/2015 Giacometti et al.  
 2015/0275571 A1 10/2015 Guhl  
 2015/0297014 A1 10/2015 Cannaverde  
 2015/0368970 A1 12/2015 Chambers et al.  
 2016/0051074 A1 2/2016 Chou  
 2016/0090779 A1 3/2016 Nurre et al.  
 2016/0298375 A1 10/2016 Wagner et al.  
 2016/0326800 A1 11/2016 Marocco  
 2016/0340972 A1 11/2016 Chou  
 2017/0079459 A1 3/2017 Filko  
 2017/0114593 A1 4/2017 Hebeisen et al.  
 2018/0087319 A1 3/2018 McPherson et al.  
 2020/0052515 A1 \* 2/2020 Nien ..... H02J 7/0047  
 2020/0095825 A1 \* 3/2020 Chen ..... E06B 9/322

FOREIGN PATENT DOCUMENTS

BR 3020120013798 2/2013  
 BR 3020120056900 3/2016  
 CN 2012300548304 3/2013  
 CN 2012303568969 4/2013  
 CO 07051520 5/2007  
 CO 282 7/2012  
 EM 000113899-0003 4/2003  
 EM 000275839-0002 12/2004  
 EM 000279633-0001 1/2005  
 EM 000518923-0001 4/2006  
 EM 000795752-0001 9/2007  
 EM 001084370-0013 2/2009  
 EM 001102875-0002 3/2009  
 EM 0013369940001 7/2012

(56)

**References Cited**

FOREIGN PATENT DOCUMENTS

EM	003342013-0012	8/2016
GB	2052622	12/1995
MX	38640	5/2013
PE	002031-2018	1/2019
WO	D068016-0004	6/2006
WO	D086931-0004	6/2015

OTHER PUBLICATIONS

Rollashade, Rollashade Contract Series, Feb. 5, 2018.  
Rolleaseacmeda, System Quick Reference Guide; [https://www.rolleacmeda.com/docs/default-source/default-document-library/edge-side-channels\\_org\\_us\\_v1-0.pdf?sfvrsn=0&sfvrsn=0](https://www.rolleacmeda.com/docs/default-source/default-document-library/edge-side-channels_org_us_v1-0.pdf?sfvrsn=0&sfvrsn=0), Feb. 5, 2018.

\* cited by examiner

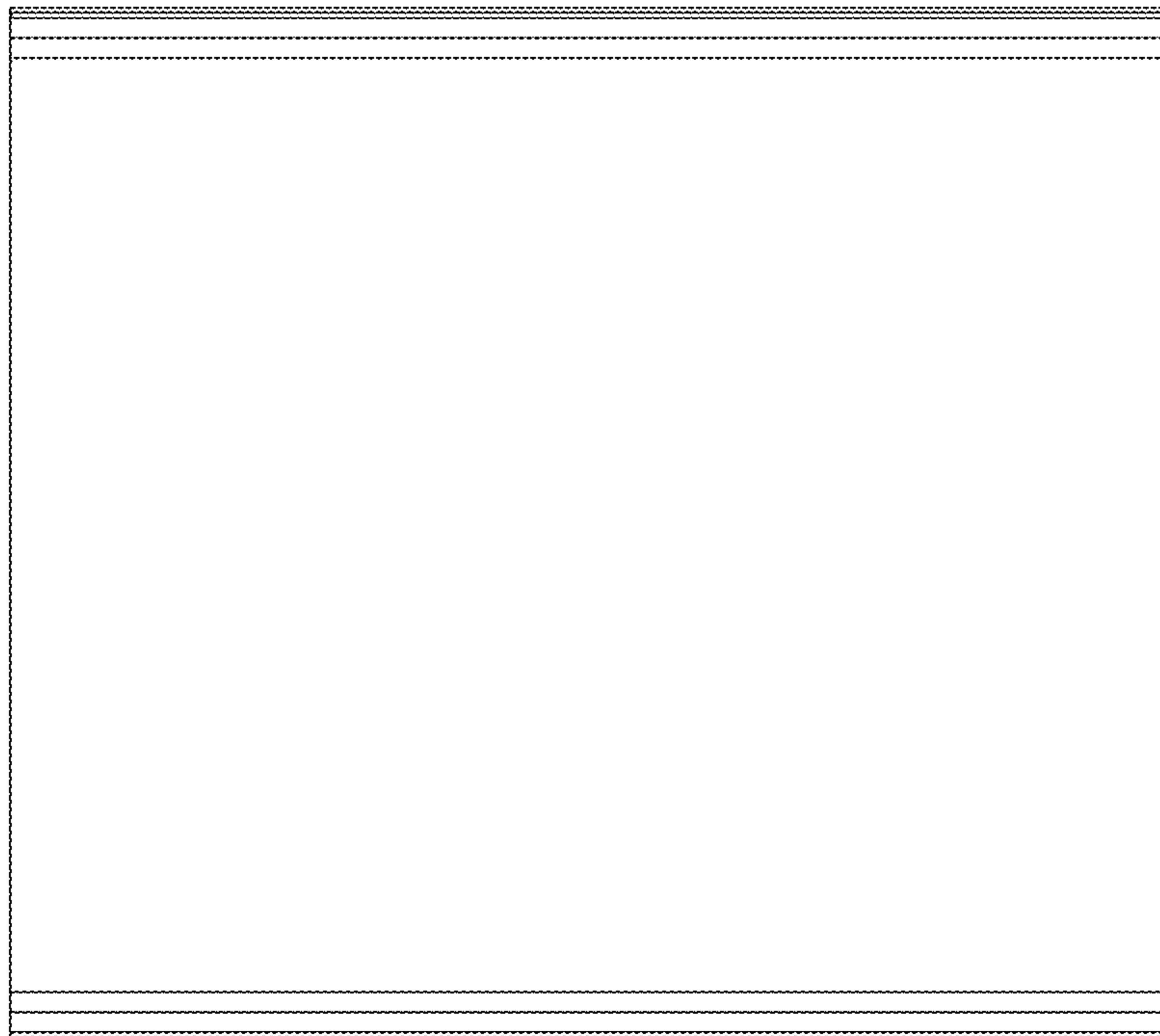


FIG.1

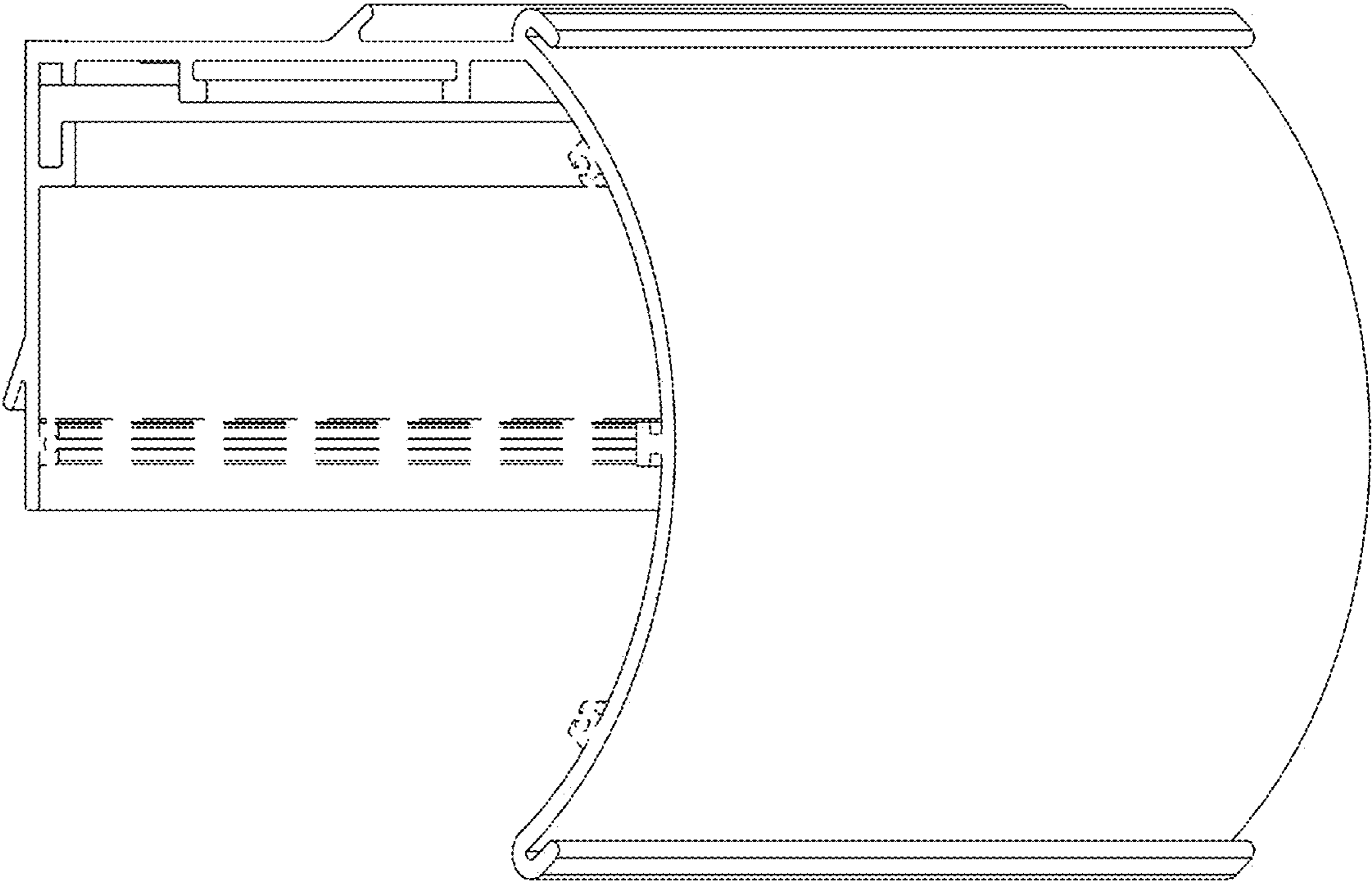


FIG.2

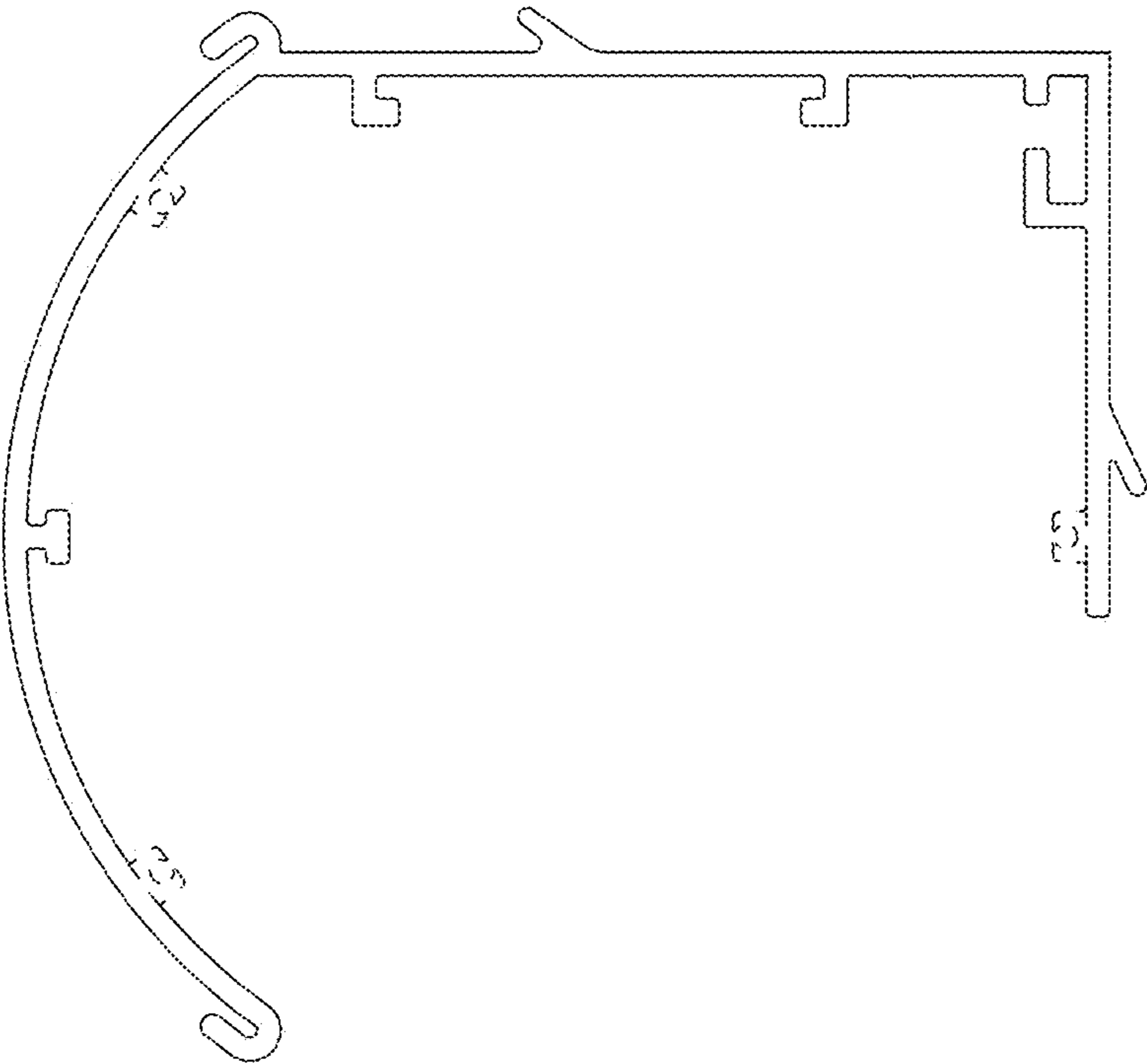


FIG.3

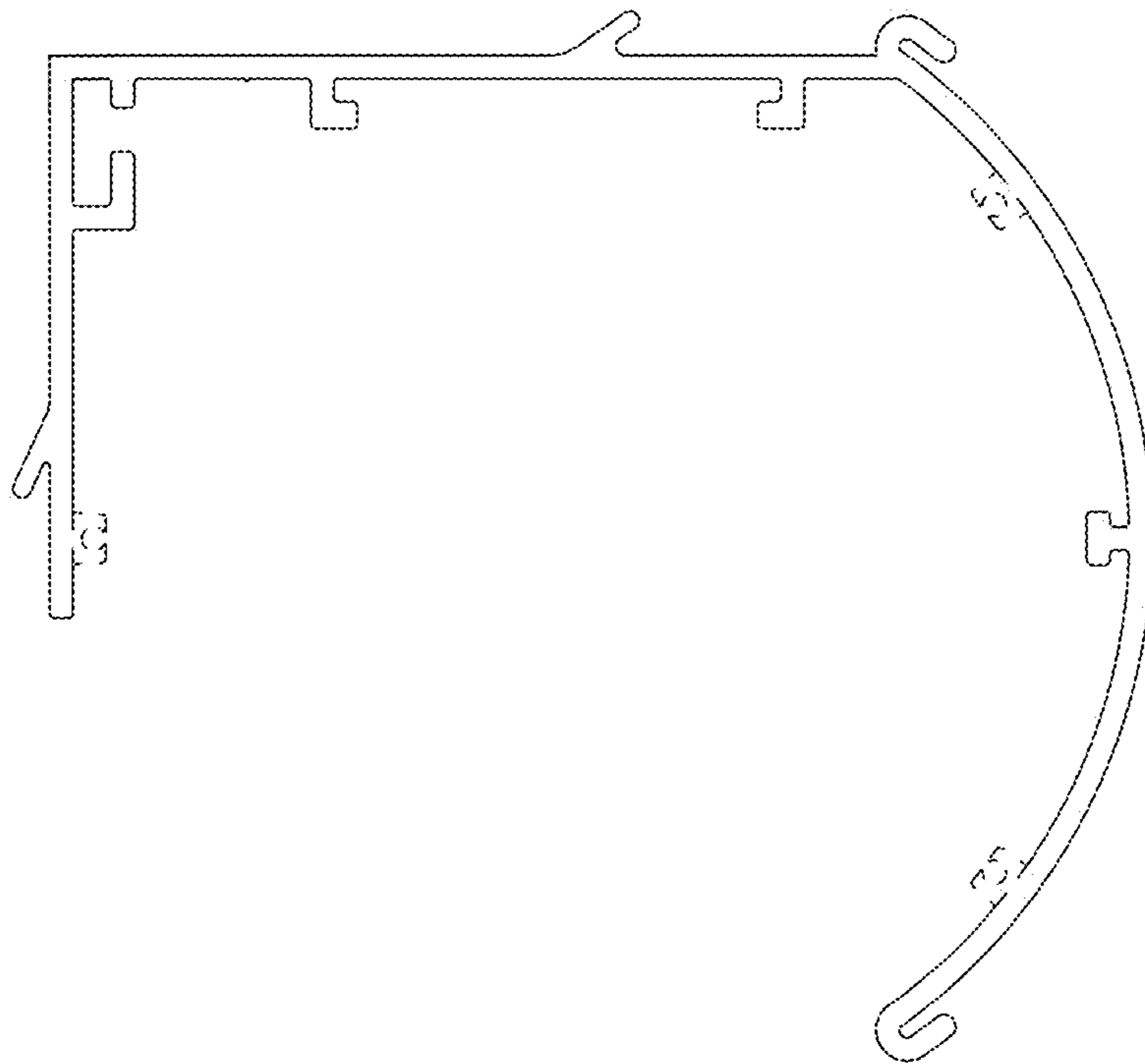


FIG.4

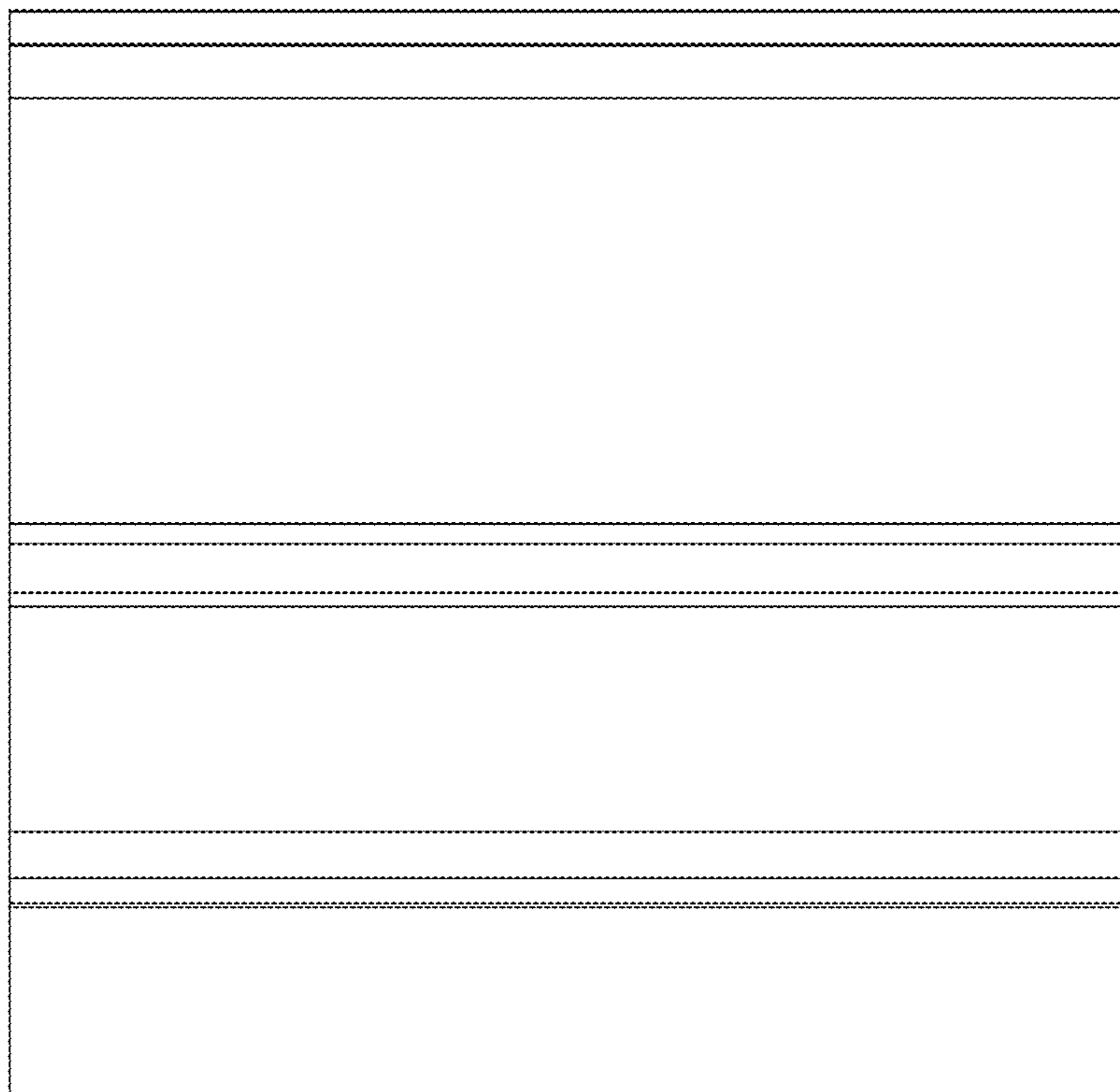


FIG.5



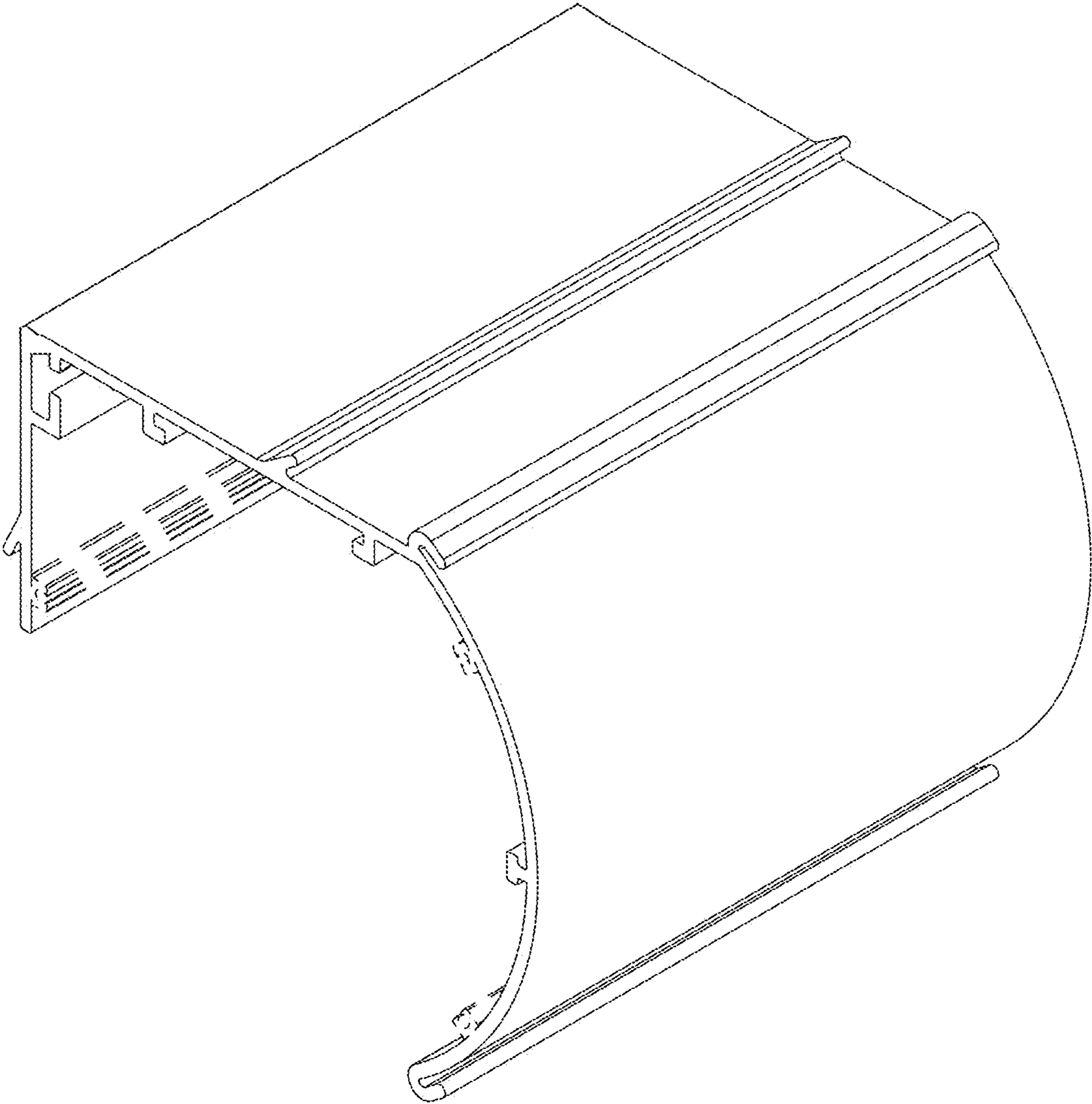


FIG.6

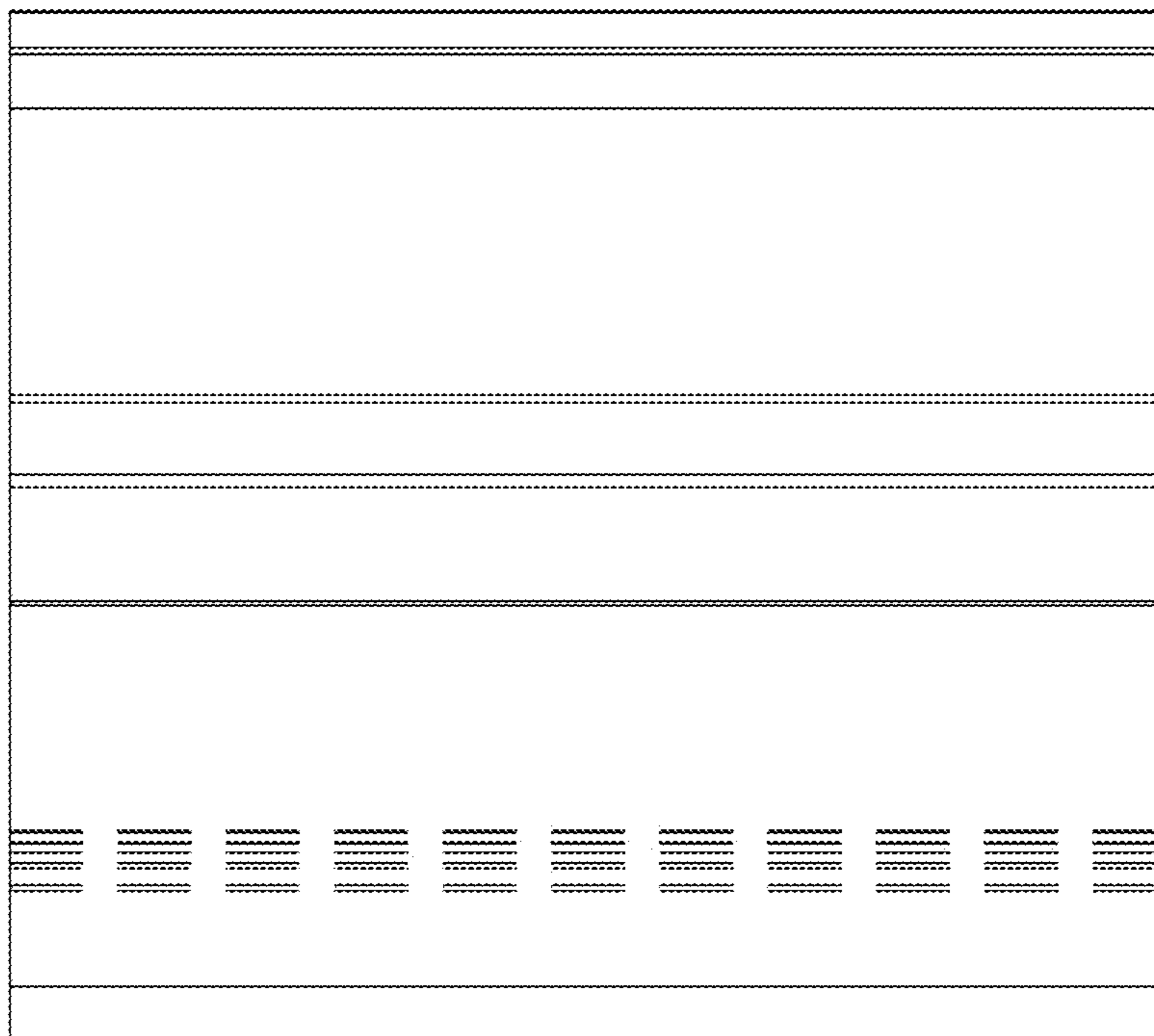


FIG. 7

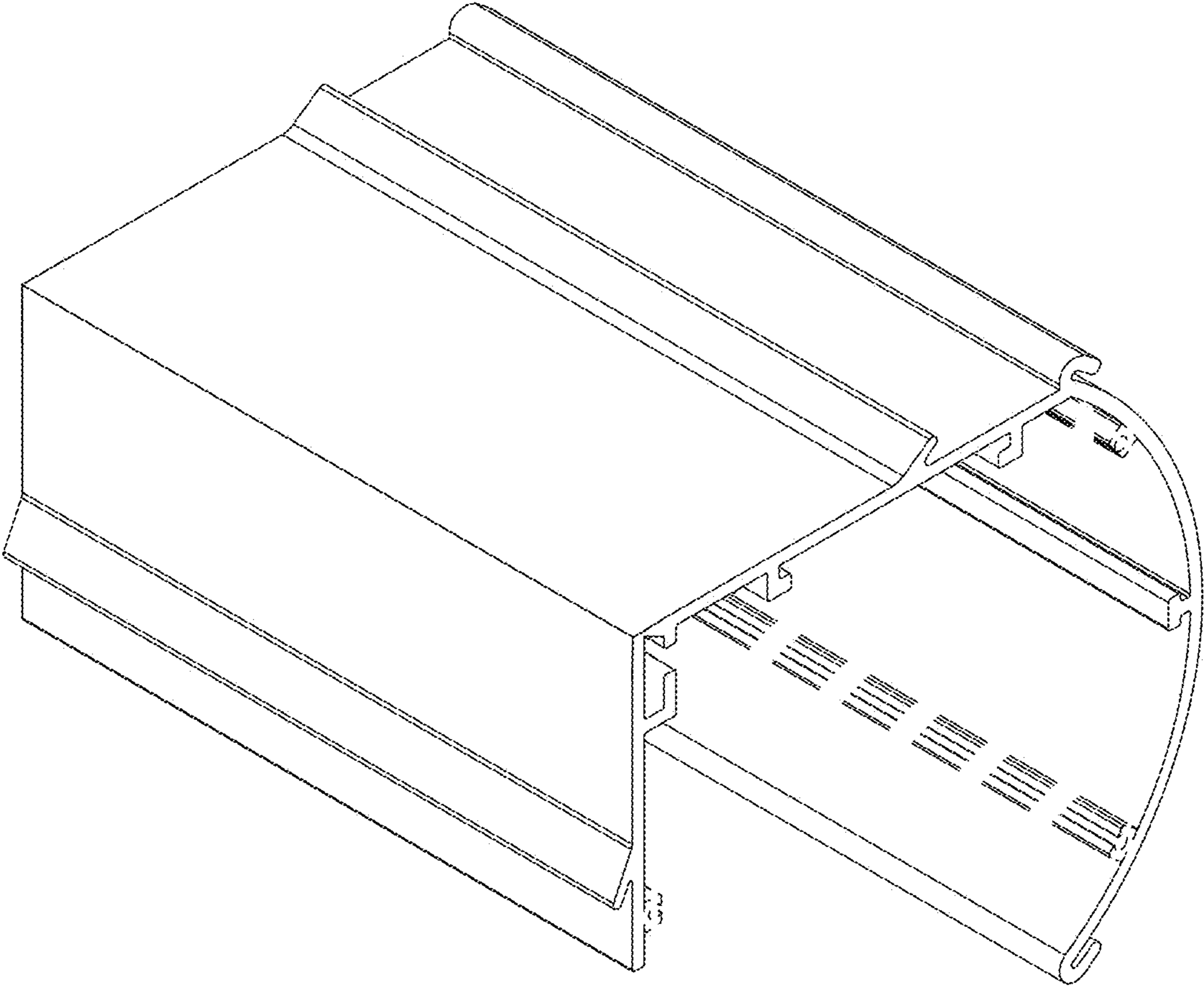


FIG.8

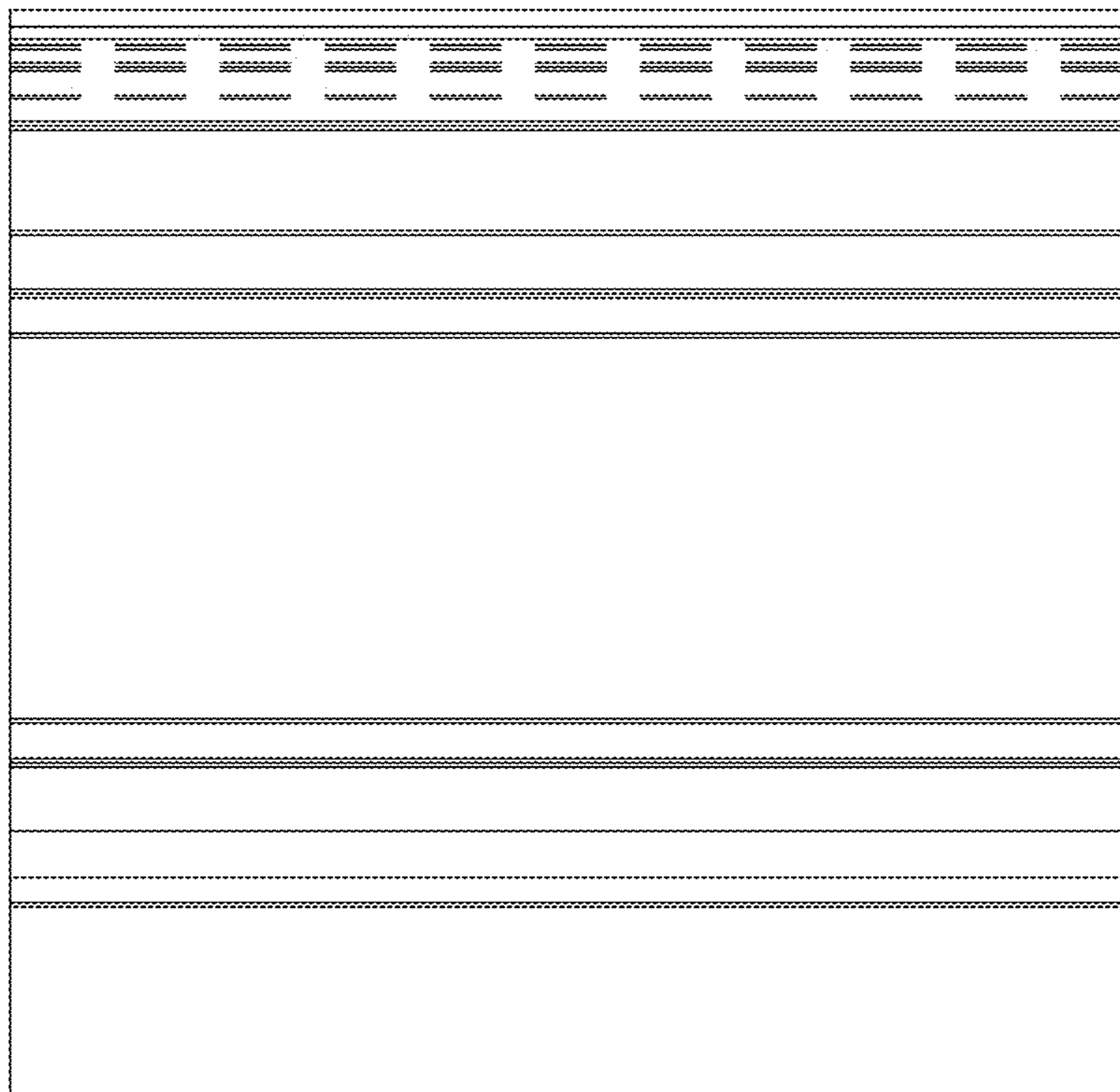


FIG. 9

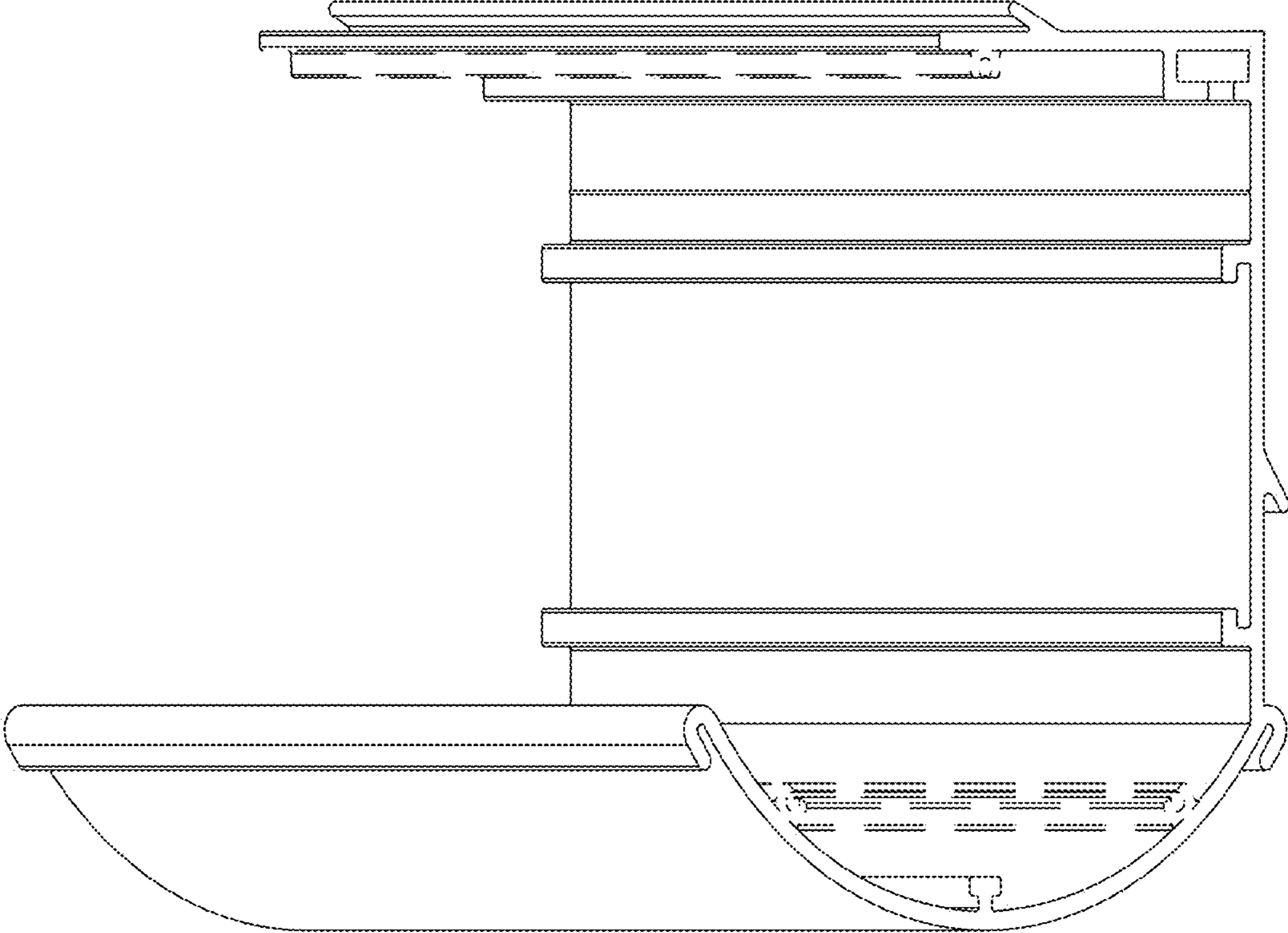


FIG.10