



US00D920003S

(12) **United States Design Patent** (10) **Patent No.:** **US D920,003 S**
Pan (45) **Date of Patent:** **** May 25, 2021**

(54) **WALL MOUNTED KEY HOLDER MAIL SORTER ORGANIZER**

(71) Applicant: **Chongchong Pan**, Ningbo (CN)

(72) Inventor: **Chongchong Pan**, Ningbo (CN)

(**) Term: **15 Years**

(21) Appl. No.: **29/737,982**

(22) Filed: **Jun. 12, 2020**

(51) **LOC (13) Cl.** **06-04**

(52) **U.S. Cl.**
USPC **D6/572**

(58) **Field of Classification Search**
USPC D6/572, 566, 573, 671, 671.1, 672, 675, D6/675.4, 682, 683, 683.1, 553, 675.2, D6/675.5, 512, 524, 552, 574, 569, D6/655.11, 673, 675.1, 705; D19/75-80, D19/86, 87, 89-92; 206/215, 425, 556, 206/557; 211/10, 11, 42, 45, 50, 88.01, 211/126.1, 106; D3/297, 298, 306, 310; D8/372

CPC B65D 85/8043; A47B 17/03; A47B 81/00; A47B 47/04; A47B 57/65; A47B 97/00; A47B 81/06; A47B 96/00; A47B 96/021; A47B 57/00; Y10T 70/8676; Y10T 24/1379; A47G 29/10; A47G 25/0614; B43M 99/00; B43M 99/001; B43M 99/007; B43M 99/008; B43M 99/009

See application file for complete search history.

(56) **References Cited**

U.S. PATENT DOCUMENTS

D286,964 S * 12/1986 Gecchelin 108/30
D315,075 S * 3/1991 Gerber D6/553

D375,646 S * 11/1996 Stewart D6/552
D396,163 S 7/1998 Mutti
D398,648 S 9/1998 Matthews
D577,913 S 10/2008 Thompson et al.
D705,578 S * 5/2014 Schraufnagel D6/572
D769,023 S * 10/2016 Tsai D6/566
D842,686 S * 3/2019 Dittrich D8/372
D851,965 S * 6/2019 Chiang D6/672
D869,556 S * 12/2019 Lai D19/90
D872,500 S * 1/2020 Chiang D6/574

* cited by examiner

Primary Examiner — Mark Booker

(74) *Attorney, Agent, or Firm* — ScienBiziP, P.C.

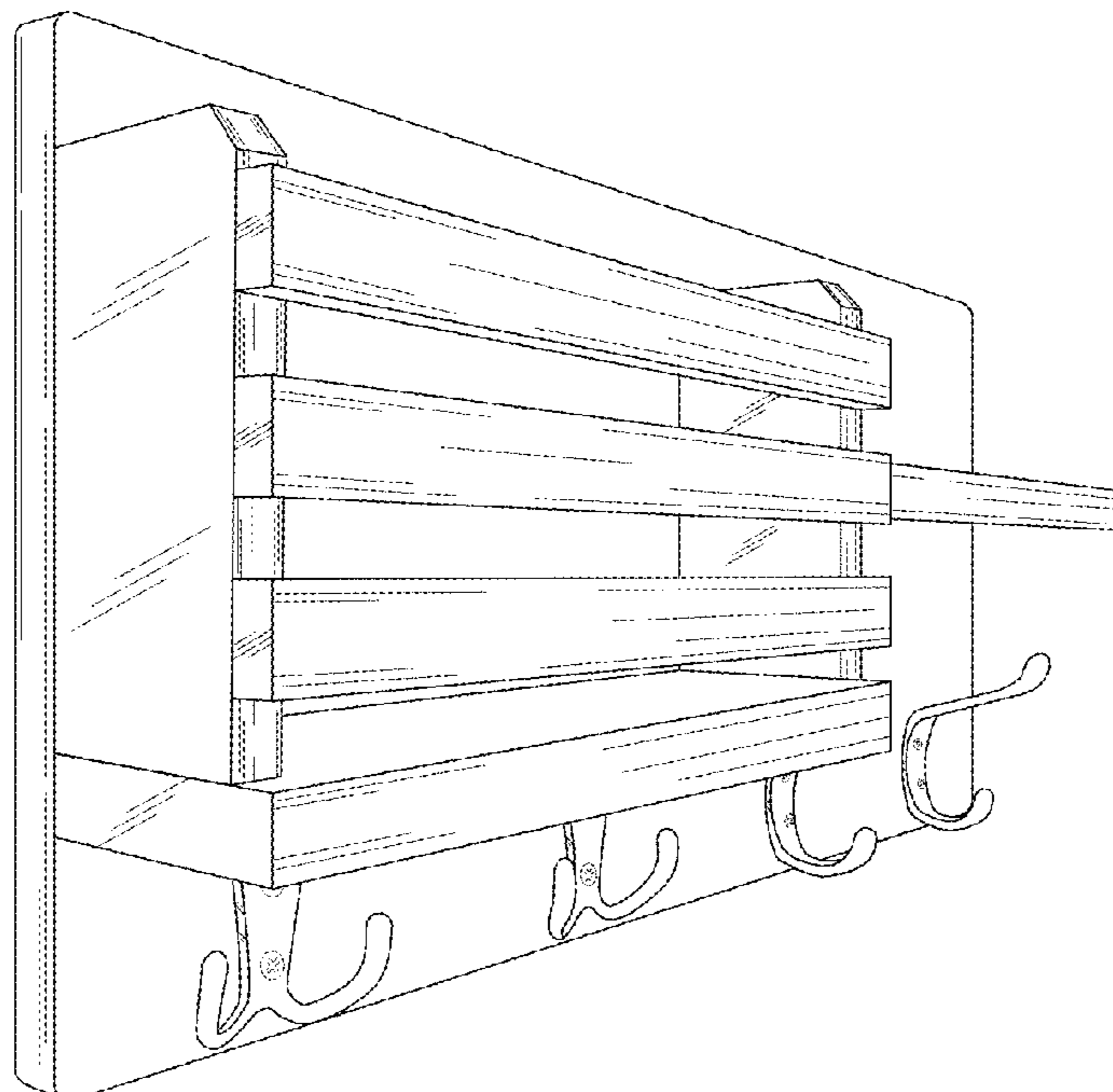
(57) **CLAIM**

The ornamental design for a wall mounted key holder mail sorter organizer, as shown and described.

DESCRIPTION

FIG. 1 is a front and left perspective view of a wall mounted key holder mail sorter organizer, showing my design.
FIG. 2 is a front elevation view thereof.
FIG. 3 is a rear elevation view thereof.
FIG. 4 is a left side elevation view thereof.
FIG. 5 is a right side elevation view thereof.
FIG. 6 is a top plan view thereof; and,
FIG. 7 is a bottom plan view thereof.
The broken lines shown in the figures represent portions of the wall mounted key holder mail sorter organizer that form no part of the claimed design.

1 Claim, 7 Drawing Sheets



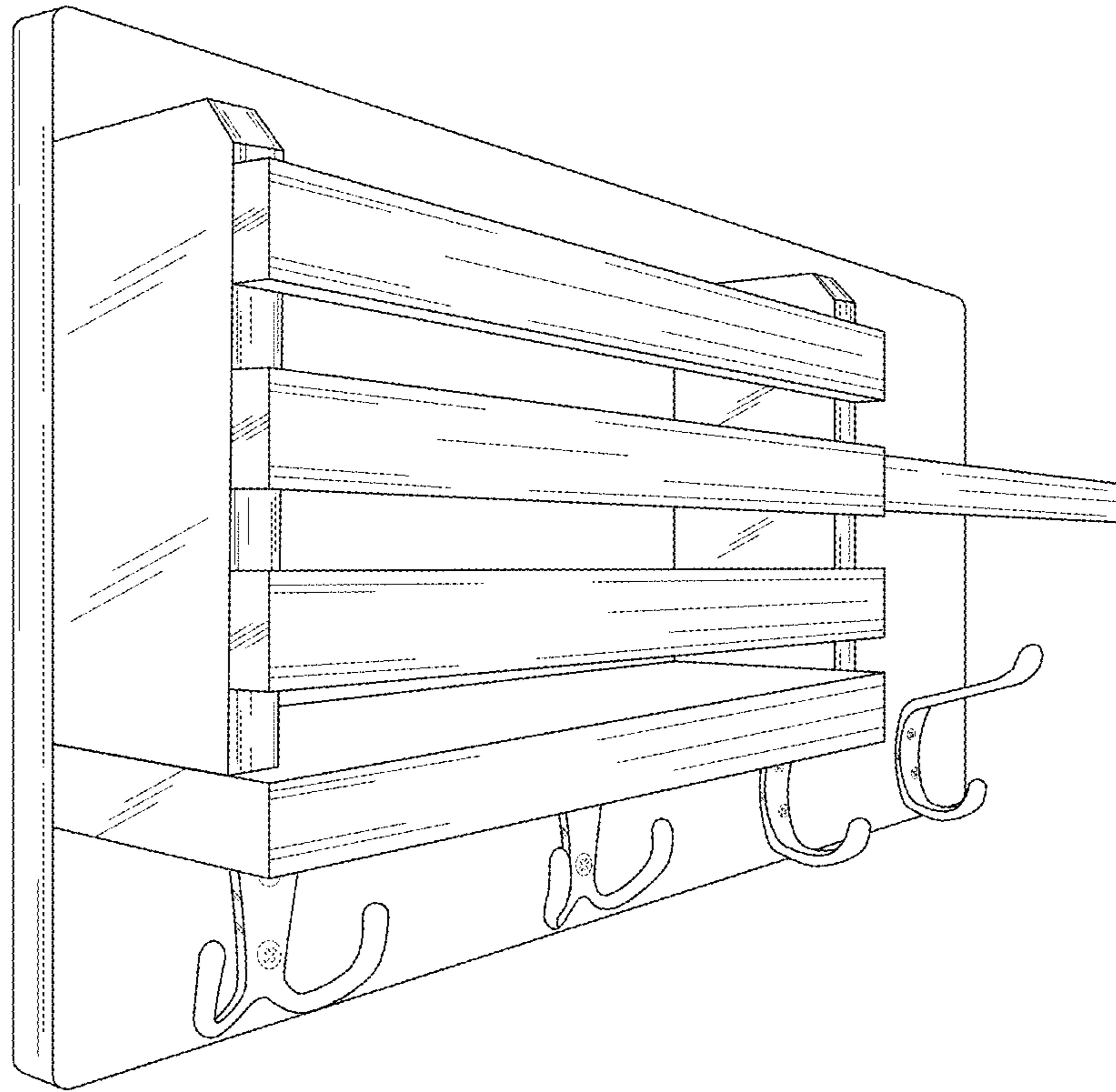


FIG. 1

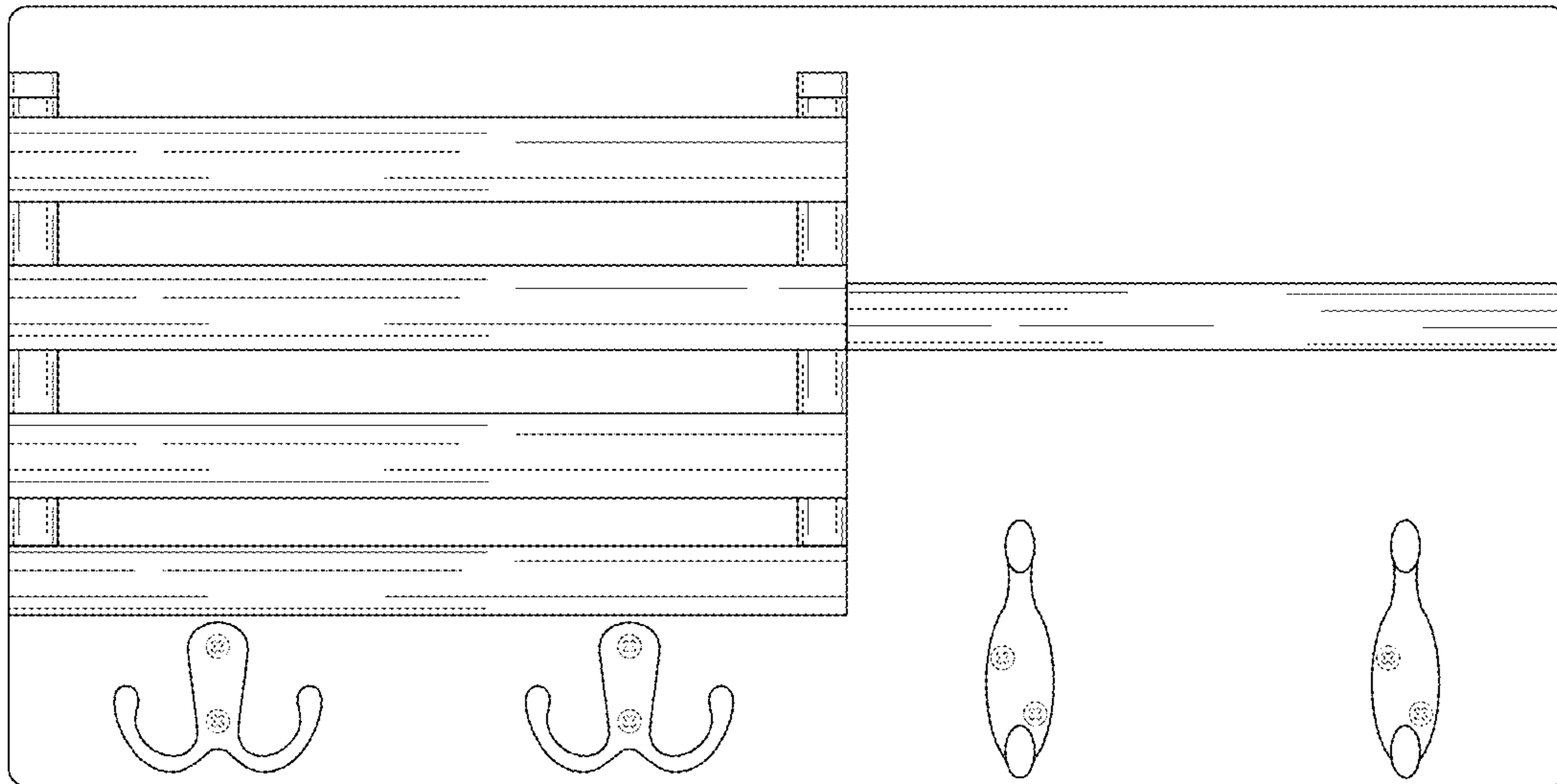


FIG.2



FIG.3

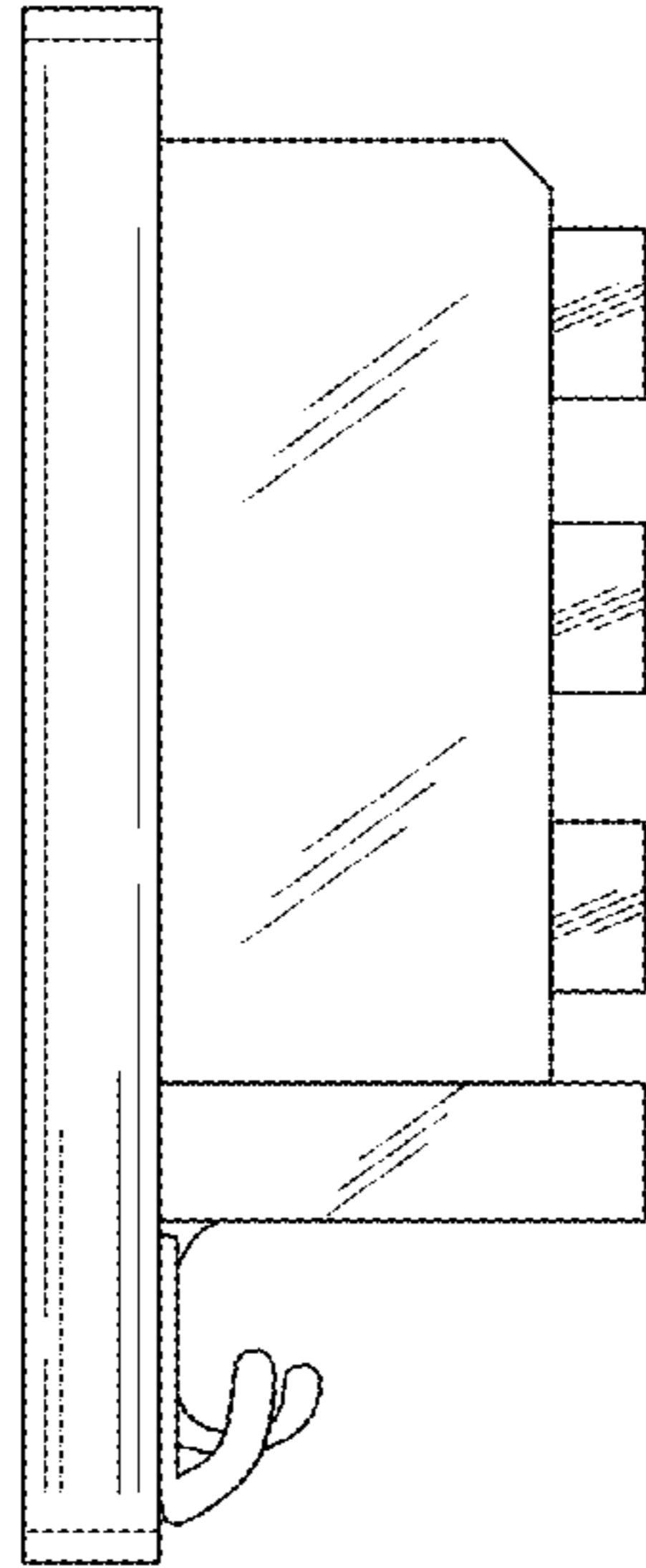


FIG.4

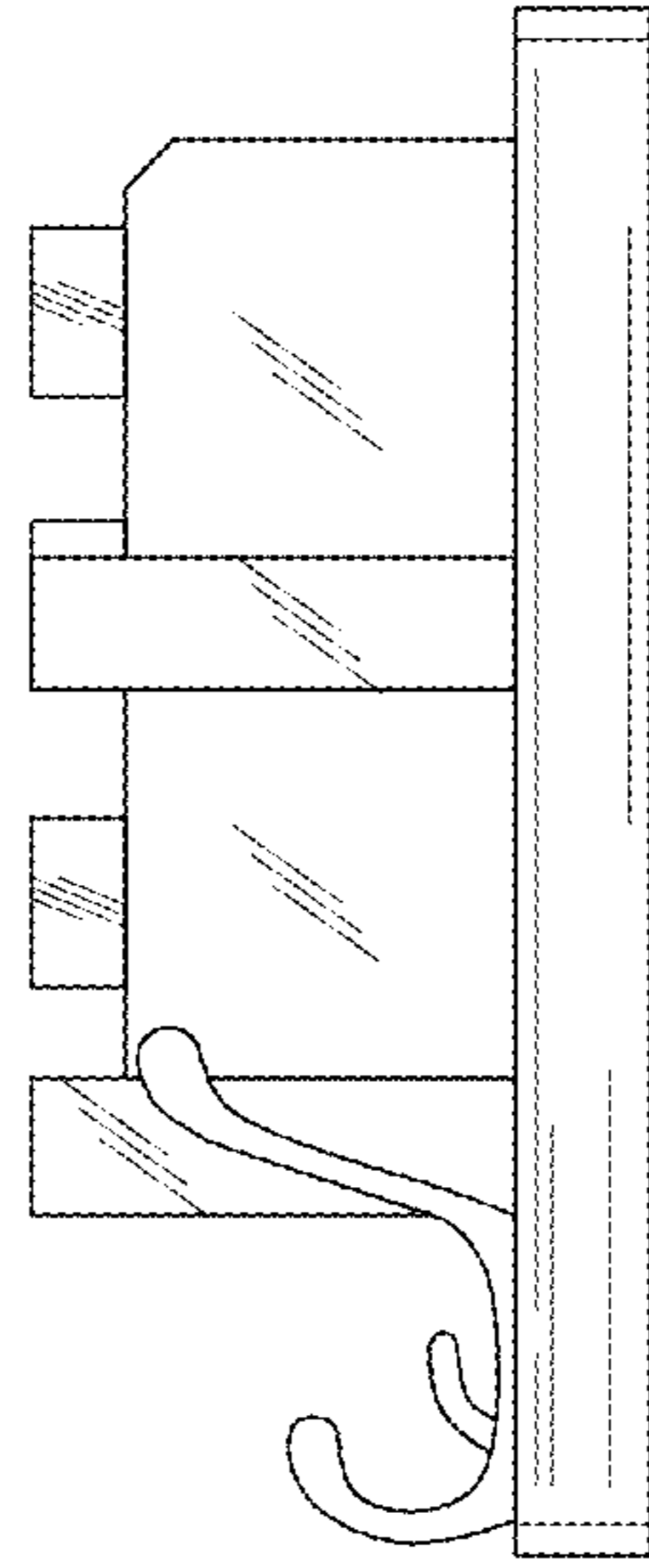


FIG.5

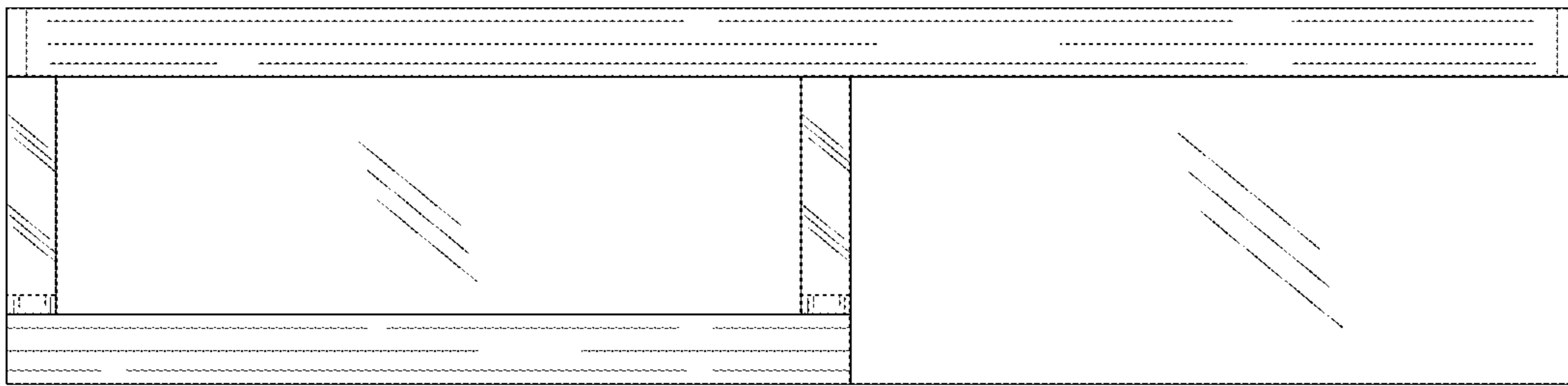


FIG.6

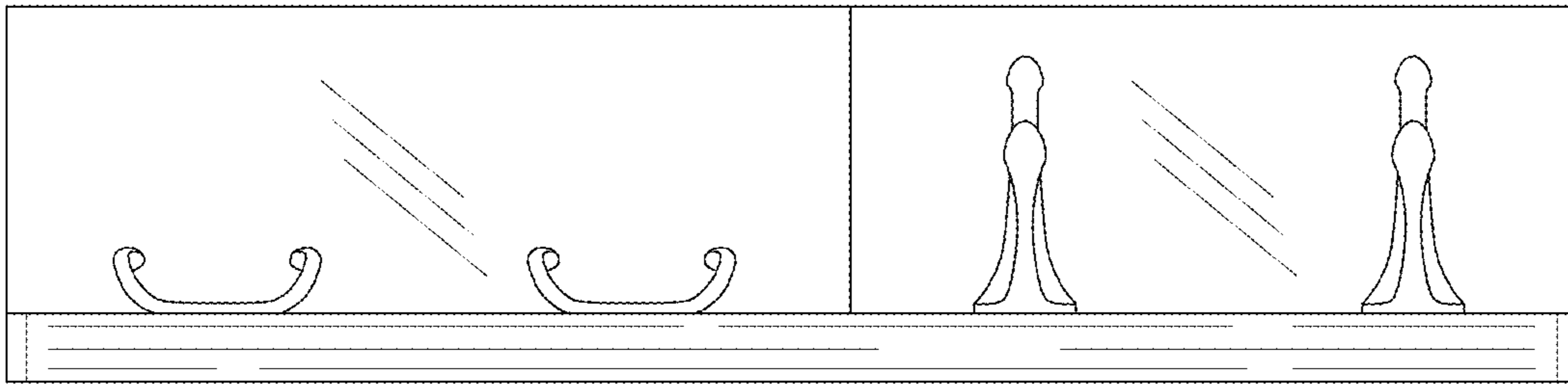


FIG. 7