



US00D920002S

(12) **United States Design Patent** (10) **Patent No.:** **US D920,002 S**
Breton (45) **Date of Patent:** **** May 25, 2021**

(54) **PORTABLE DIAPER STATION**
 (71) Applicant: **Juan J Breton**, Vernon, CT (US)
 (72) Inventor: **Juan J Breton**, Vernon, CT (US)
 (**) Term: **15 Years**
 (21) Appl. No.: **29/693,908**
 (22) Filed: **Jun. 6, 2019**
 (51) **LOC (13) Cl.** **06-04**
 (52) **U.S. Cl.**
 USPC **D6/555**
 (58) **Field of Classification Search**
 USPC D6/555, 383, 384, 390, 391, 392, 610,
 D6/718, 718.26, 553, 567, 569, 574, 518,
 D6/524; 211/13.1, 14, 88.01, 126.1, 134,
 312/114, 126, 128-129, 204, 231, 234,
 312/242, 245; D13/107
 CPC A47D 5/006; A47D 5/003; A45F 4/02;
 A45F 3/04
 See application file for complete search history.

(56) **References Cited**
 U.S. PATENT DOCUMENTS
 D397,893 S * 9/1998 Helmsderfer D6/555
 D408,189 S * 4/1999 Shimer D6/555

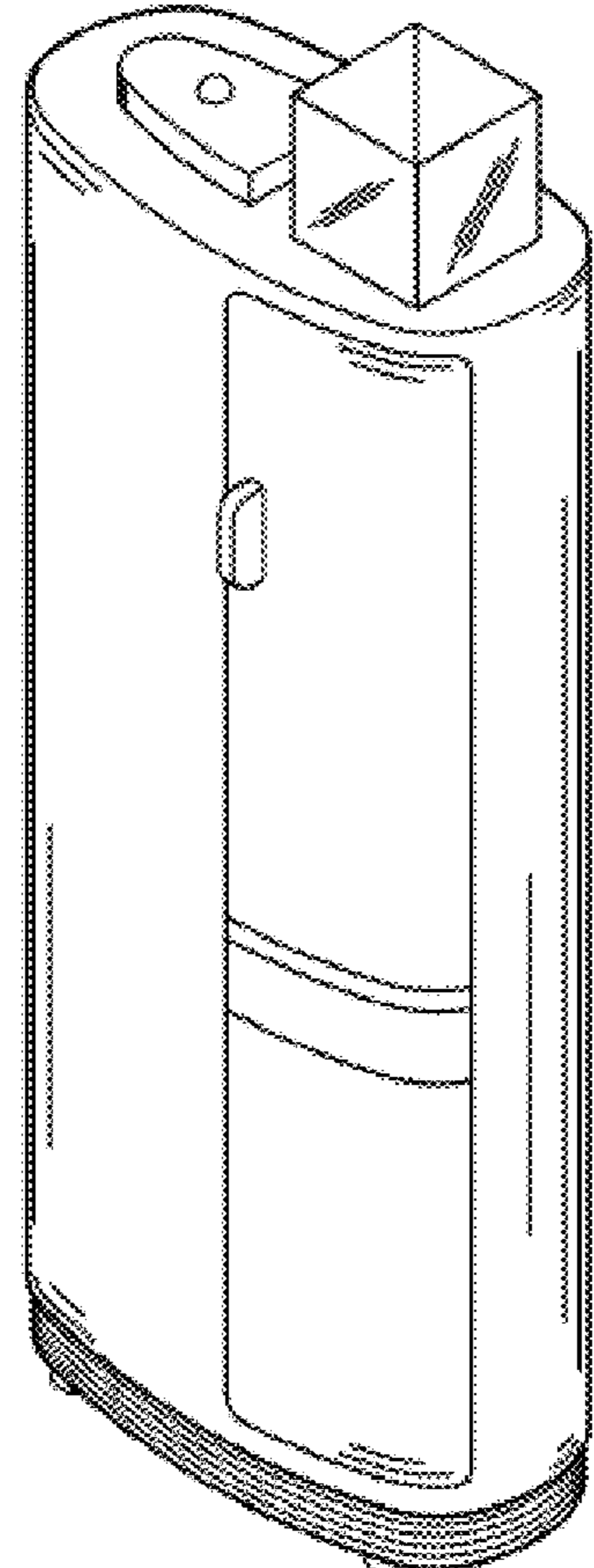
D412,258 S * 7/1999 Helmsderfer D6/555
 D459,131 S * 6/2002 Zazenski A47D 5/003
 D6/555
 D504,264 S * 4/2005 Galeazzi D6/555
 D545,099 S * 6/2007 Fernandez, Jr. D6/524
 D604,080 S * 11/2009 Stolp D6/555
 D871,100 S * 12/2019 Trunsky D6/518
 D894,657 S * 9/2020 Lawlor D6/718.26
 2018/0206650 A1 * 7/2018 Kong A45F 3/02

* cited by examiner
Primary Examiner — Wan Laymon
Assistant Examiner — Mark Booker

(57) **CLAIM**
 I claim the ornamental design for a portable diaper station,
 as shown and described.

DESCRIPTION
 FIG. 1 is a perspective front view of the portable diaper station showing my new design;
 FIG. 2 is a front view thereof;
 FIG. 3 is a top view thereof;
 FIG. 4 is a bottom view thereof;
 FIG. 5 is a first side view;
 FIG. 6 is a second side view; and,
 FIG. 7 is a rear view thereof.
 The cube-like feature on the top of the device is an open shute that accesses the main body.

1 Claim, 5 Drawing Sheets



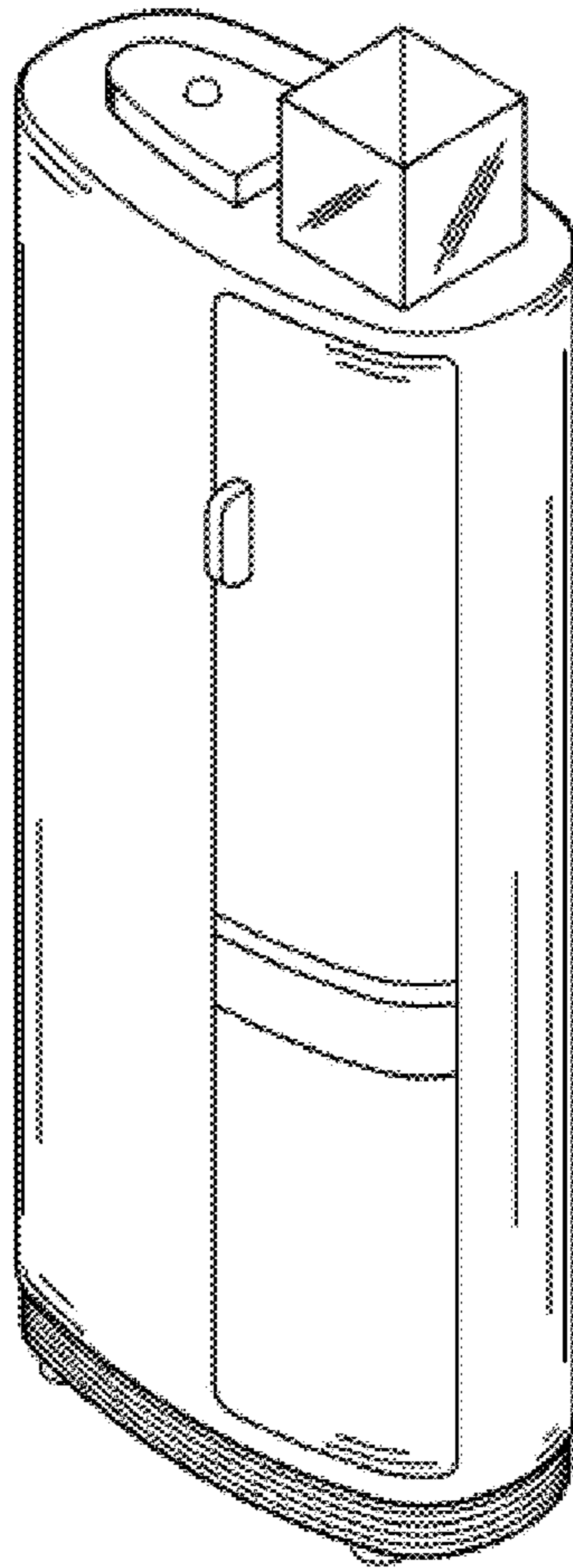


FIG. 1

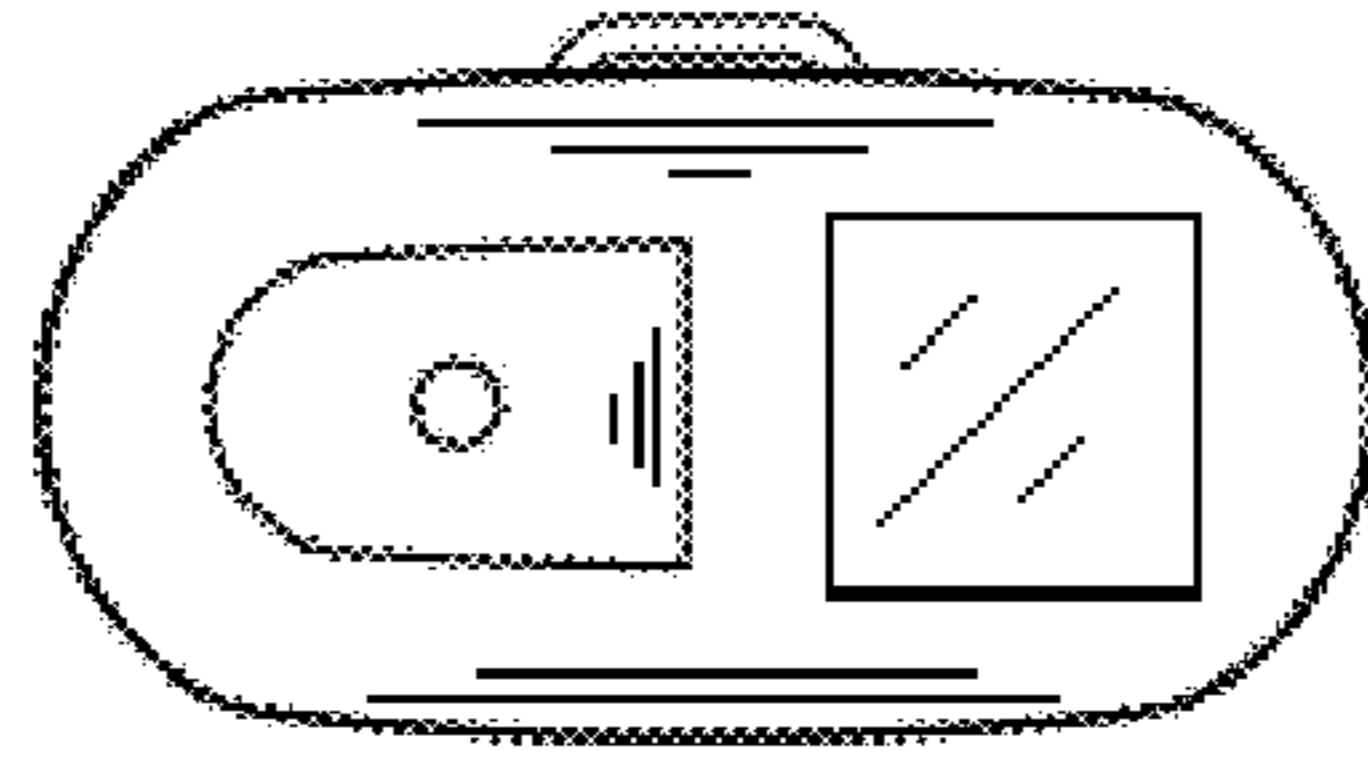


FIG. 3

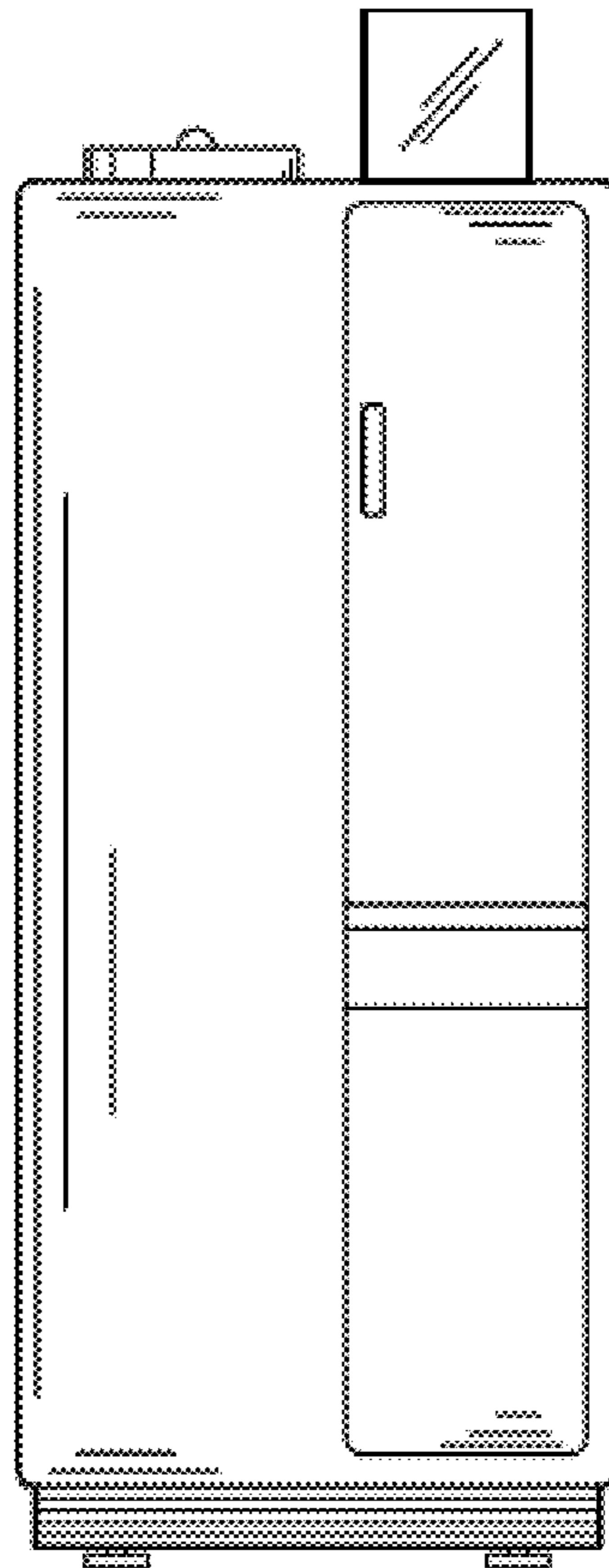


FIG. 2

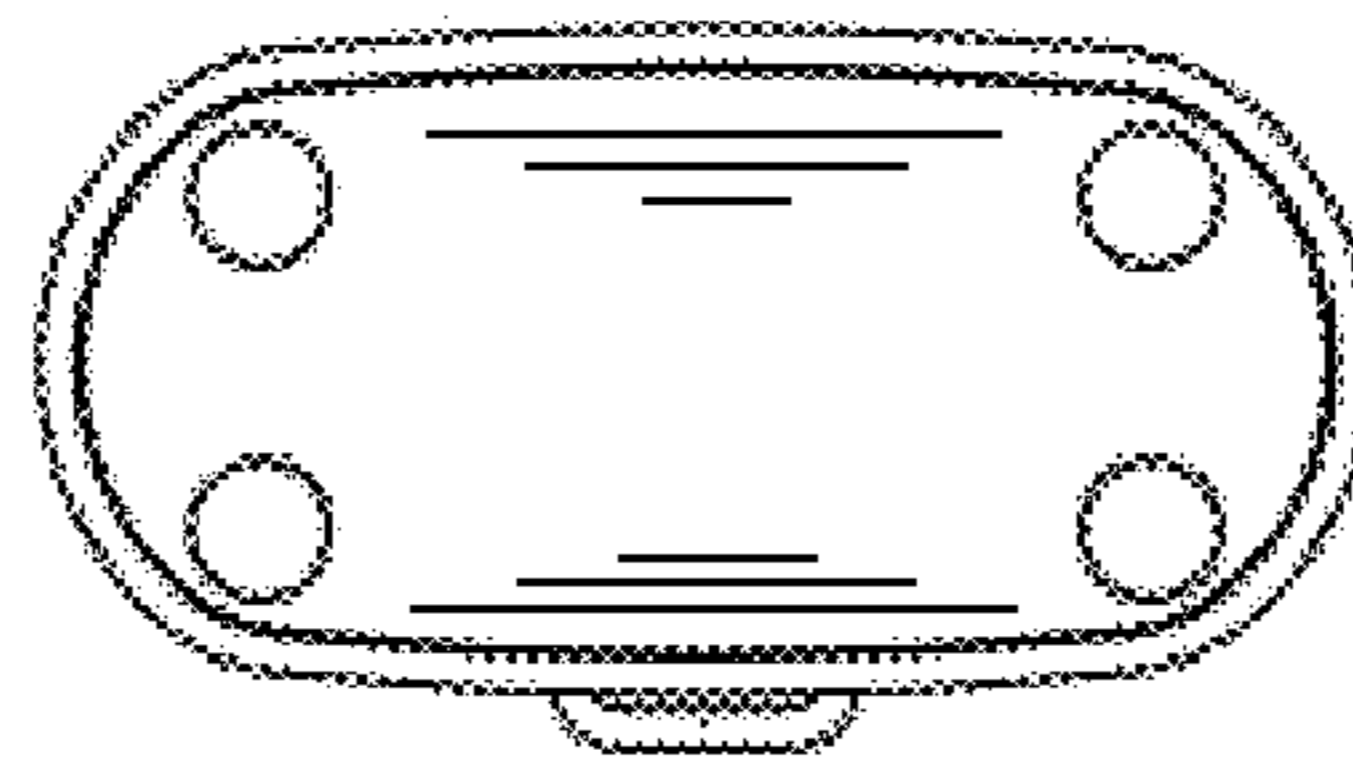


FIG. 4

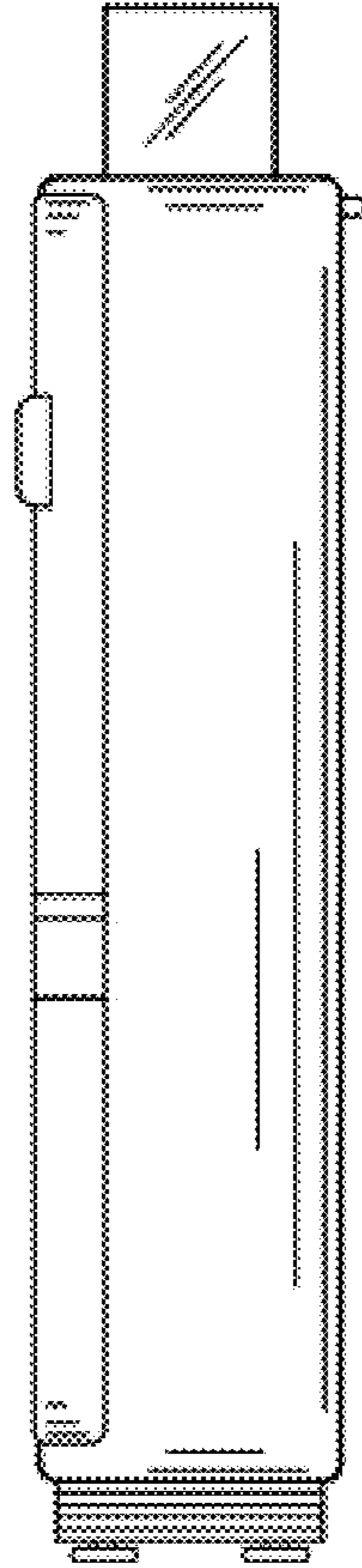


FIG. 5

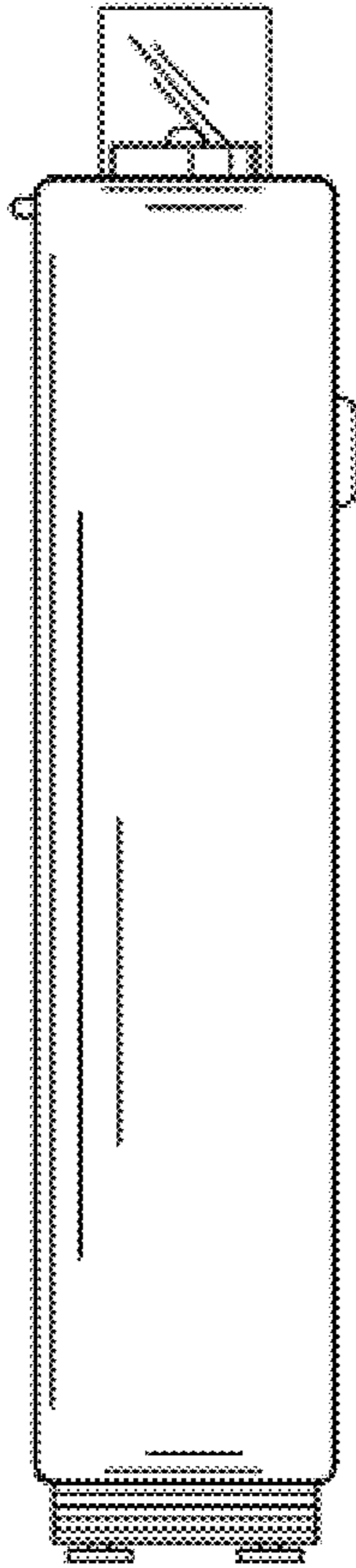


FIG. 6

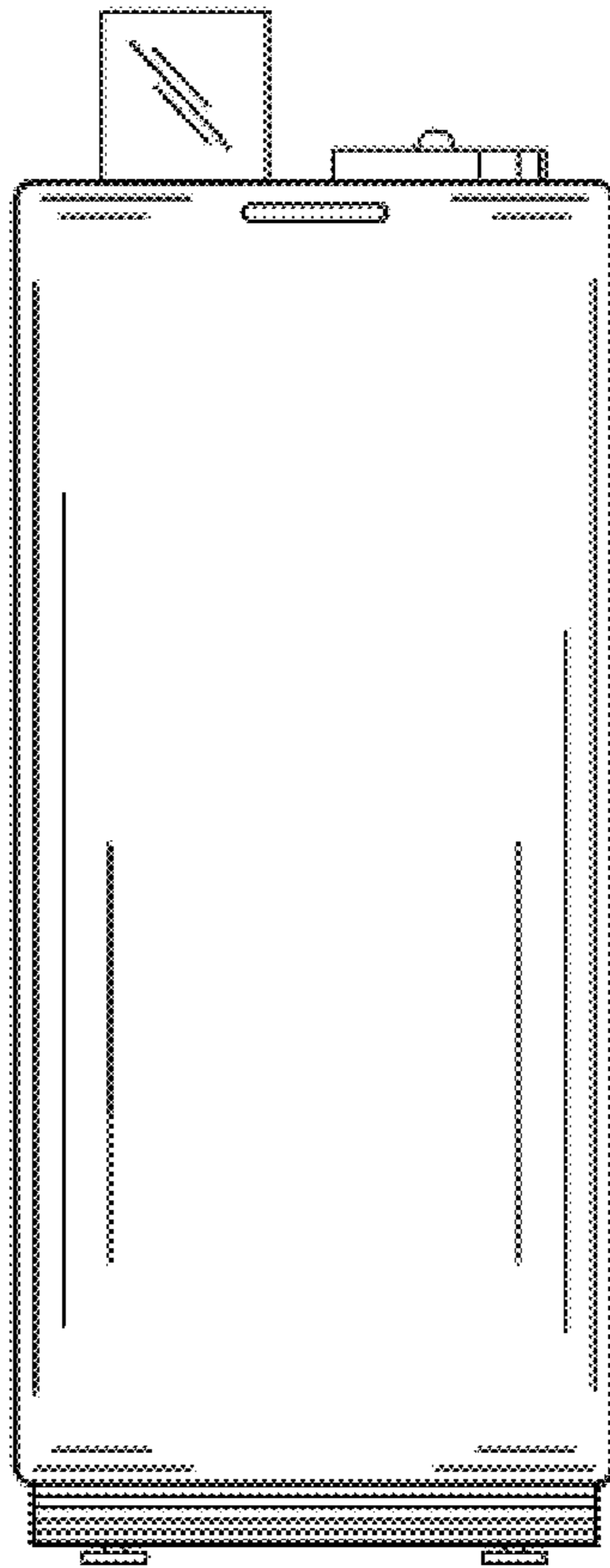


FIG. 7