



US00D920001S

(12) **United States Design Patent** (10) **Patent No.:** **US D920,001 S**  
**Xu et al.** (45) **Date of Patent:** **\*\* May 25, 2021**

(54) **PAPER TOWEL DISPENSER**  
(71) Applicant: **Medline Industries, Inc.**, Northfield, IL (US)  
(72) Inventors: **Xin Xu**, Ningbo (CN); **Paige Wexler**, Highland Park, IL (US); **Derek Roberts**, Boston, MA (US); **Tamara L. Dick**, Fox Lake, IL (US); **Megan Henken**, Lake Villa, IL (US)  
(73) Assignee: **Medline Industries, Inc.**, Northfield, IL (US)

(\*\*) Term: **15 Years**  
(21) Appl. No.: **29/680,652**  
(22) Filed: **Feb. 19, 2019**  
(51) **LOC (13) Cl.** ..... **20-02**  
(52) **U.S. Cl.**  
USPC ..... **D6/522**  
(58) **Field of Classification Search**  
USPC ..... D6/522, 520, 523; D3/201; 206/389, 206/391, 407, 409; 211/16, 85.5, 59.2; 221/92, 97, 185, 282, 284; 242/59, 159, 242/160.2, 550, 560, 563, 564.2, 590, 242/588, 589, 589.3, 594, 598.65  
CPC ..... A47K 10/3836; A47K 2010/3253; A47K 10/38; Y10T 225/282; Y10T 225/237  
See application file for complete search history.

(56) **References Cited**  
U.S. PATENT DOCUMENTS  
D341,970 S \* 12/1993 Brandenburg ..... D6/522  
D354,871 S \* 1/1995 Frazier ..... D6/522  
D426,412 S \* 6/2000 Cameron ..... D6/522  
D440,088 S \* 4/2001 Leines ..... D6/522  
D441,231 S \* 5/2001 Purcell ..... D6/522  
D568,655 S \* 5/2008 Friesen ..... D6/518  
D624,340 S \* 9/2010 Benedetti ..... D6/522  
D648,585 S \* 11/2011 Meyerhoffer ..... D6/518

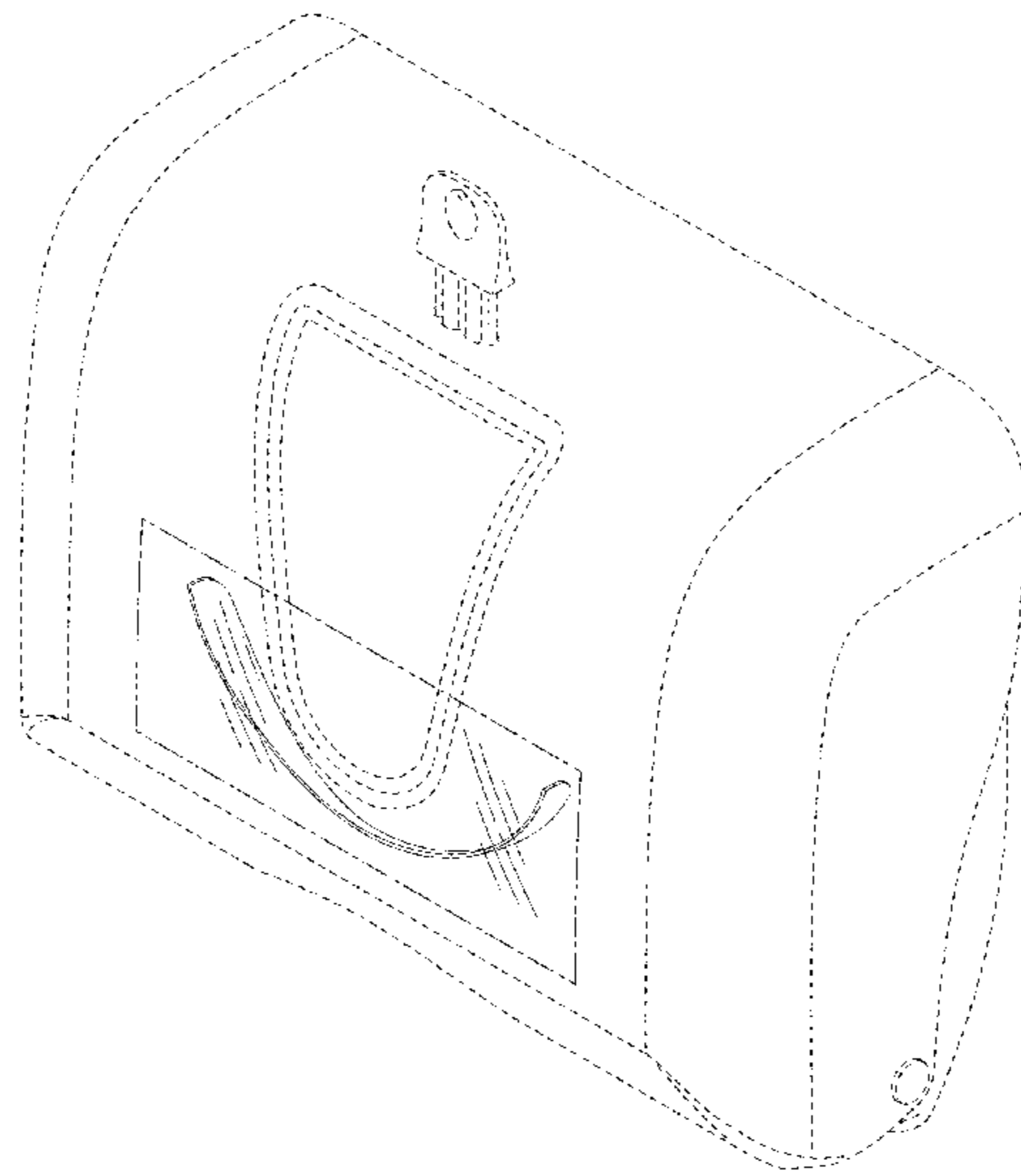
D657,984 S \* 4/2012 Hansen ..... D6/523  
D889,161 S \* 7/2020 Skinner ..... D6/518  
2005/0077419 A1\* 4/2005 Thomas ..... A47K 10/3625  
242/563

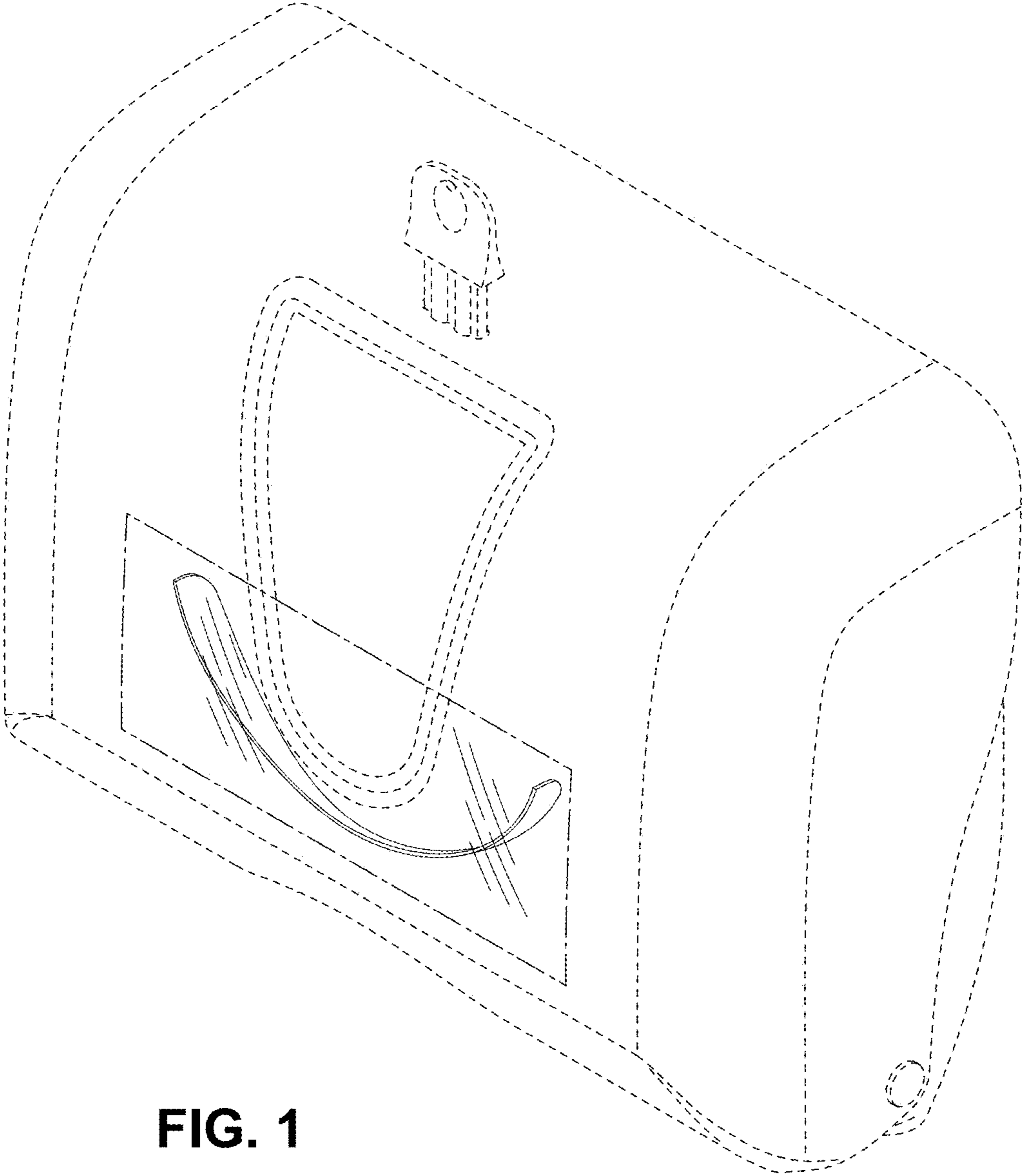
\* cited by examiner  
*Primary Examiner* — Mark Booker  
(74) *Attorney, Agent, or Firm* — Fitch, Even, Tabin & Flannery LLP

(57) **CLAIM**  
The ornamental design for a paper towel dispenser, as shown and described.

**DESCRIPTION**  
FIG. 1 is a top, front perspective view of a paper towel dispenser in accordance with a first embodiment of our new design, shown in a closed position;  
FIG. 2 is a front elevation view thereof;  
FIG. 3 is a rear elevation view thereof;  
FIG. 4 is a left side elevation view thereof;  
FIG. 5 is a right side elevation view thereof;  
FIG. 6 is a top plan view thereof;  
FIG. 7 is a bottom plan view thereof;  
FIG. 8 is a top, front perspective view of a paper towel dispenser in accordance with a second embodiment of our new design, shown in an open position;  
FIG. 9 is a front elevation view thereof;  
FIG. 10 is a rear elevation view thereof;  
FIG. 11 is a left side elevation view thereof;  
FIG. 12 is a right side elevation view thereof;  
FIG. 13 is a top plan view thereof; and,  
FIG. 14 is a bottom plan view thereof.  
The oblique shade lines in FIGS. 1-2 show a transparent surface and not surface ornamentation.  
The broken lines depict unclaimed subject matter and form no part of the claimed design.  
The dot-dash lines in FIGS. 1-2 and 6 represent the boundary between the claimed and unclaimed portions of the design and form no part of the claim.

**1 Claim, 11 Drawing Sheets**





**FIG. 1**

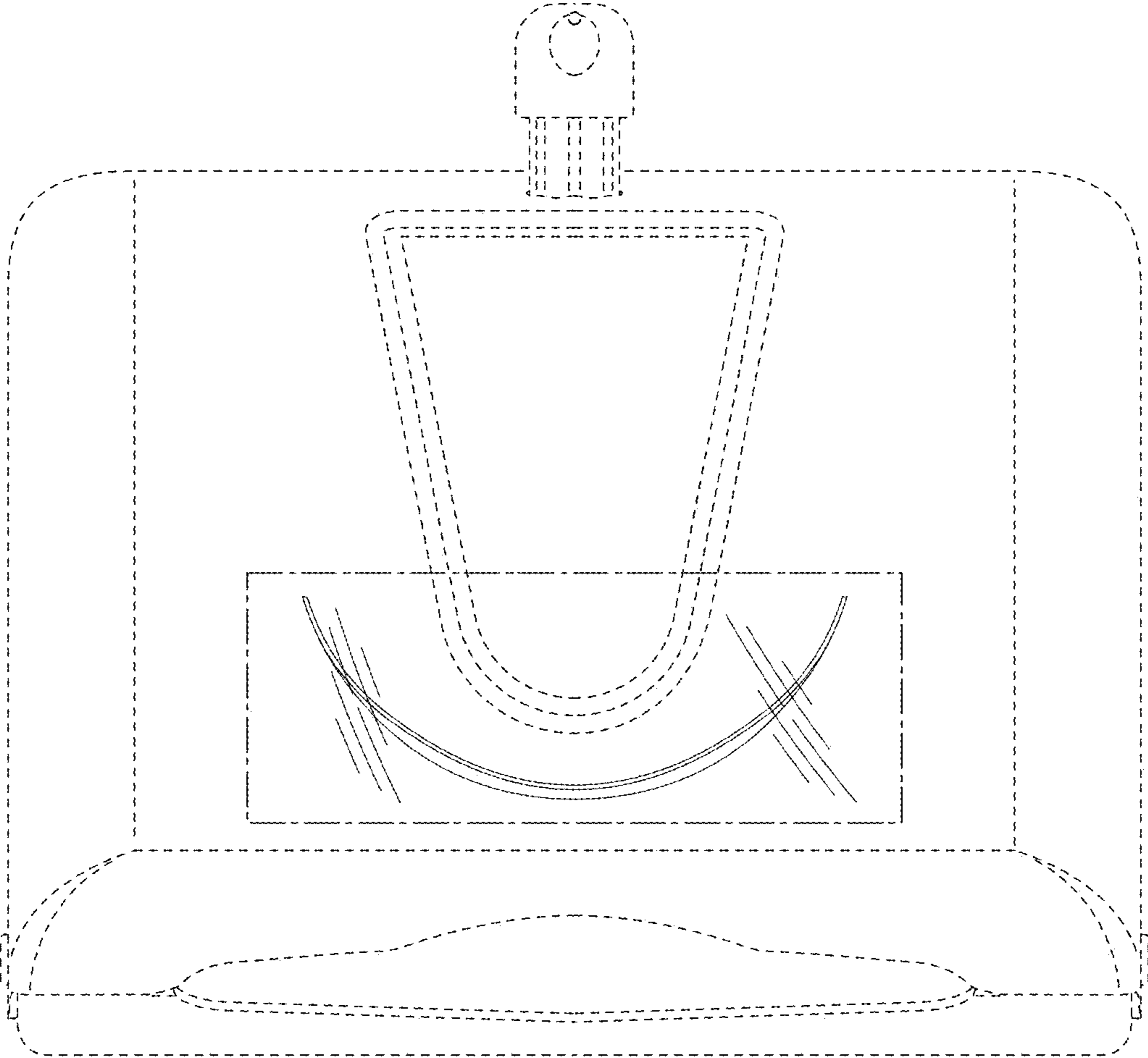


FIG. 2

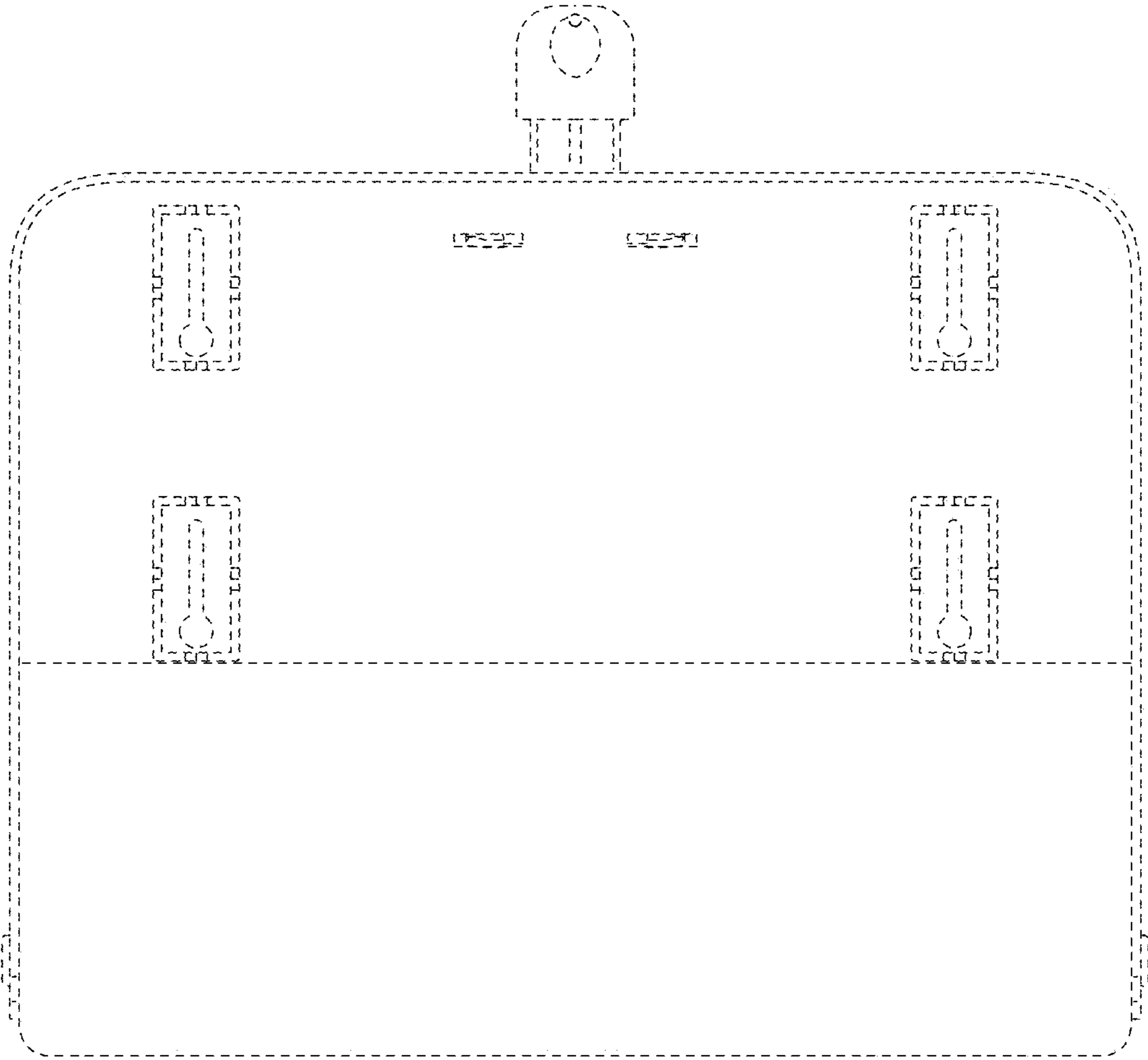
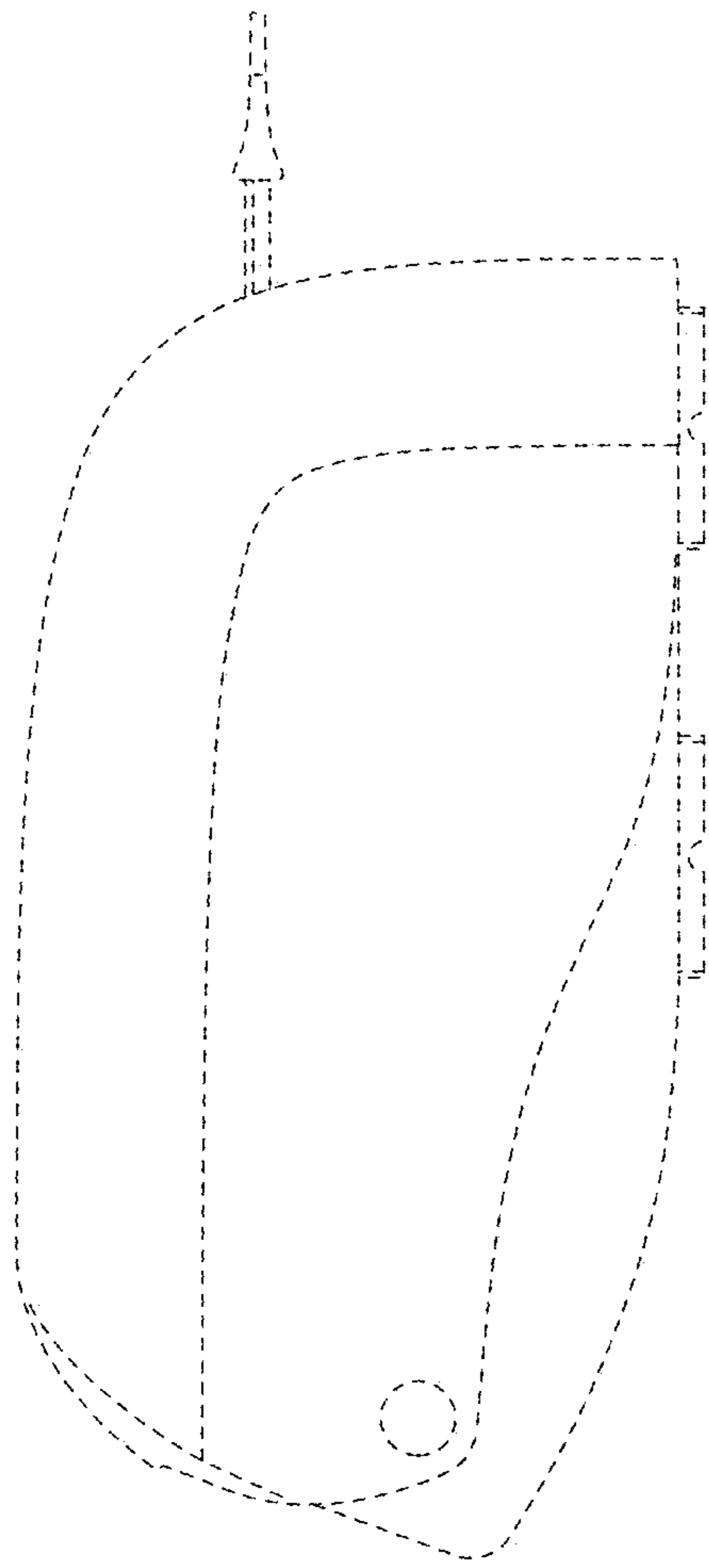
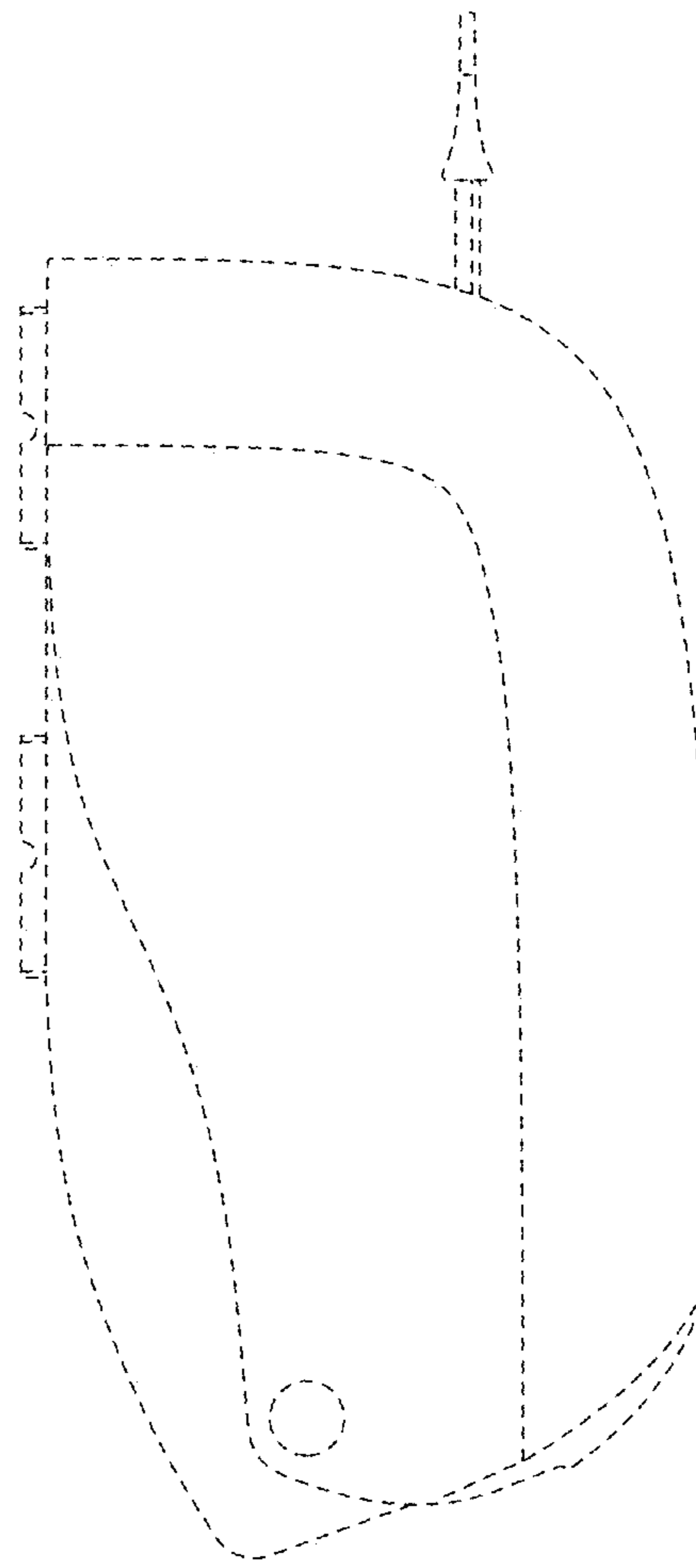


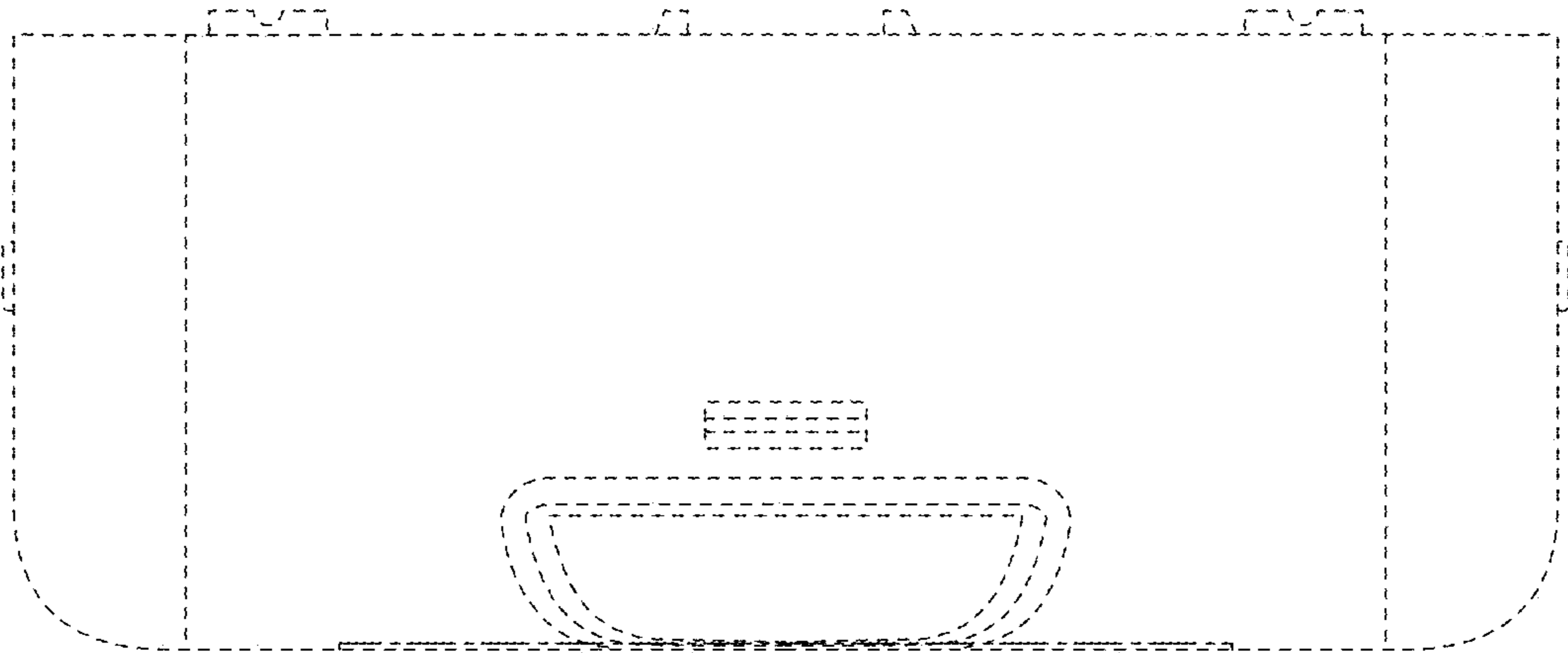
FIG. 3



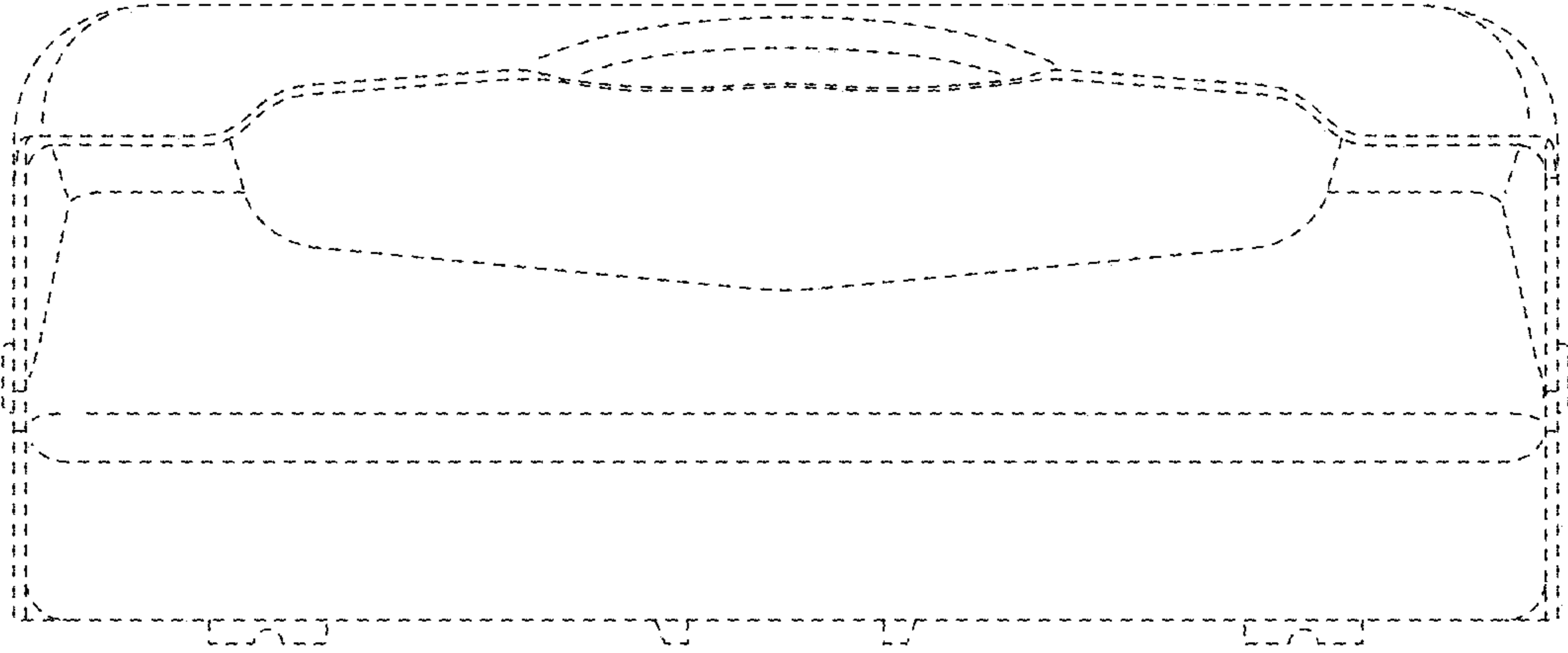
**FIG. 4**



**FIG. 5**



**FIG. 6**



**FIG. 7**



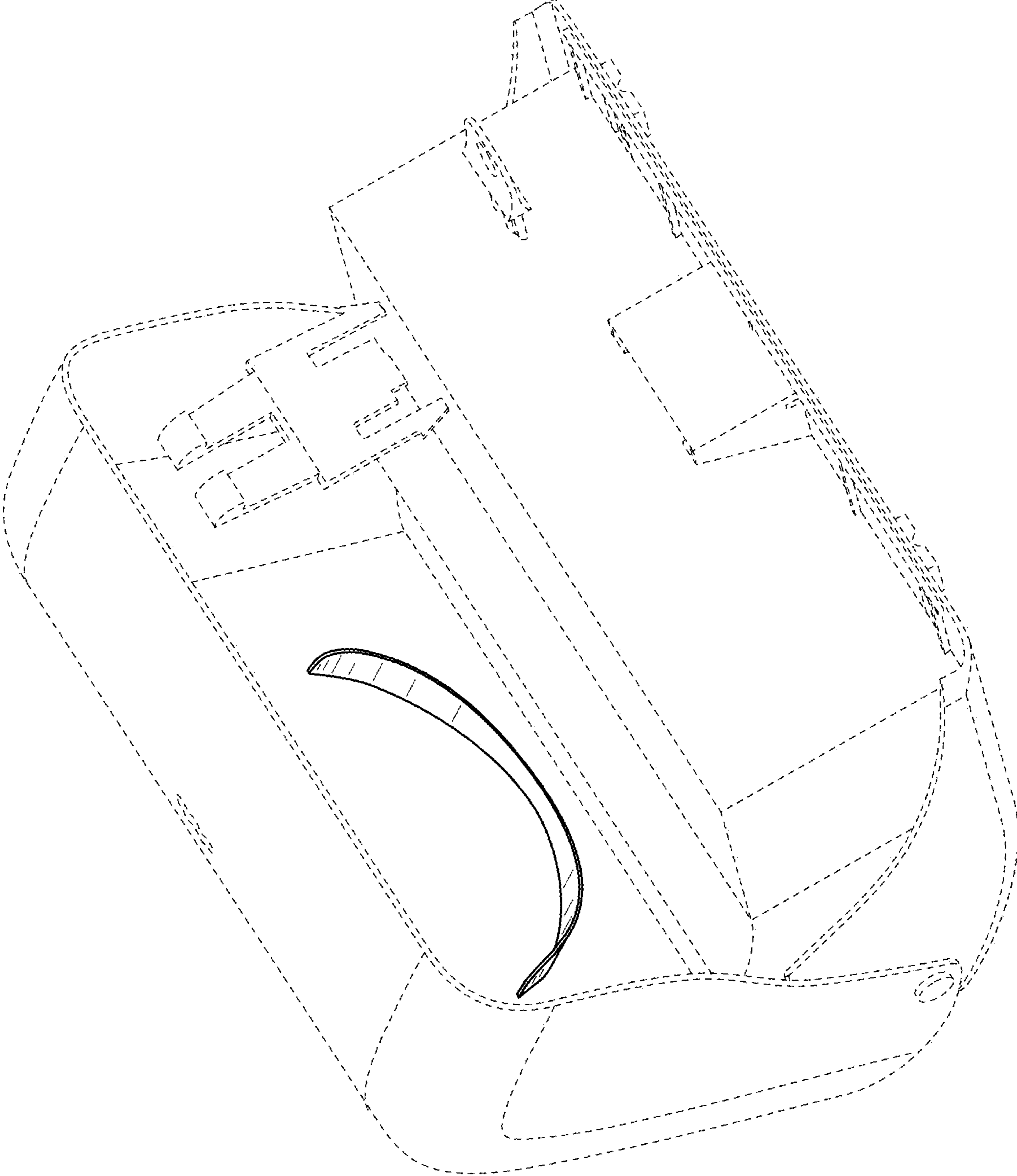


FIG. 8

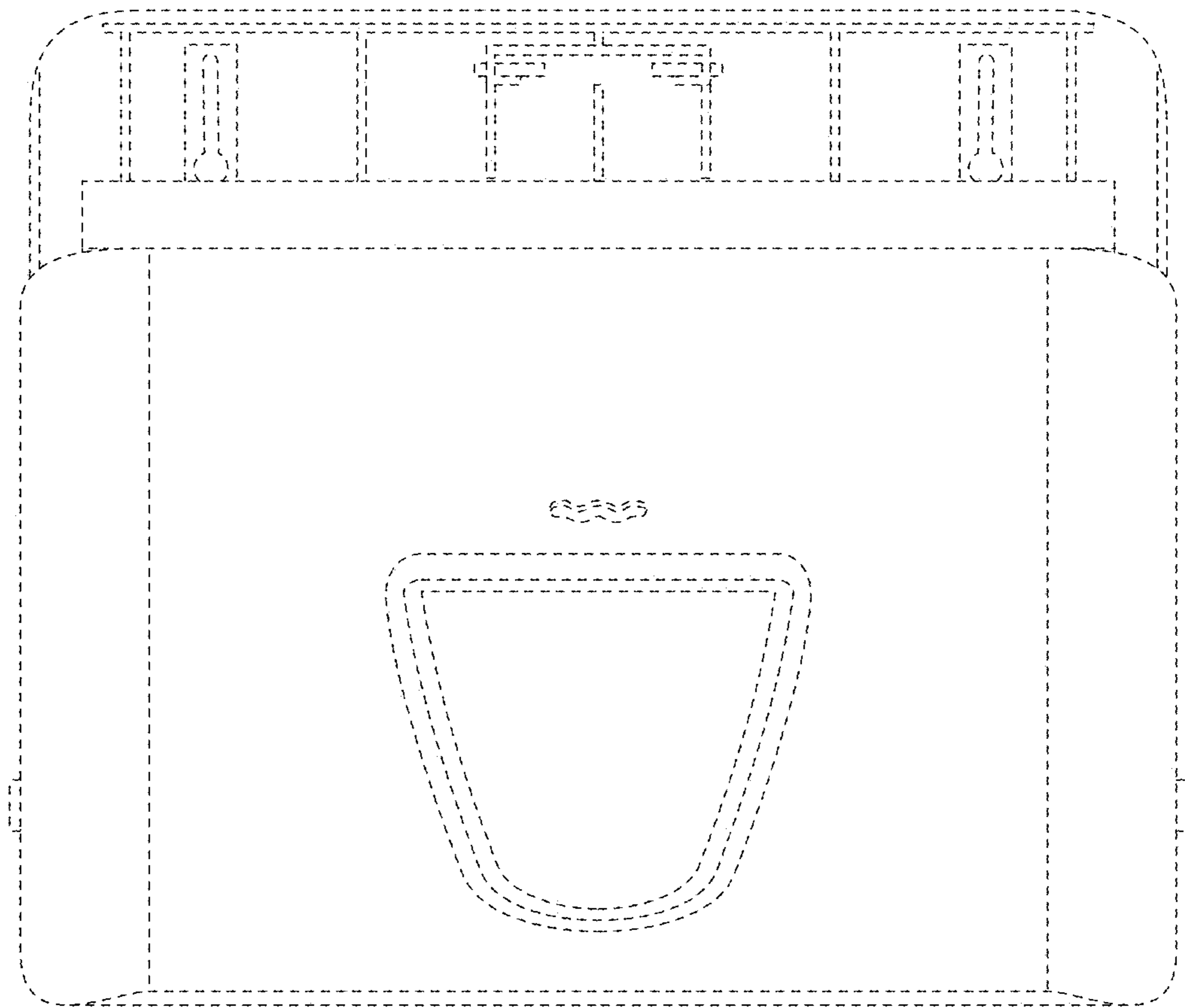


FIG. 9



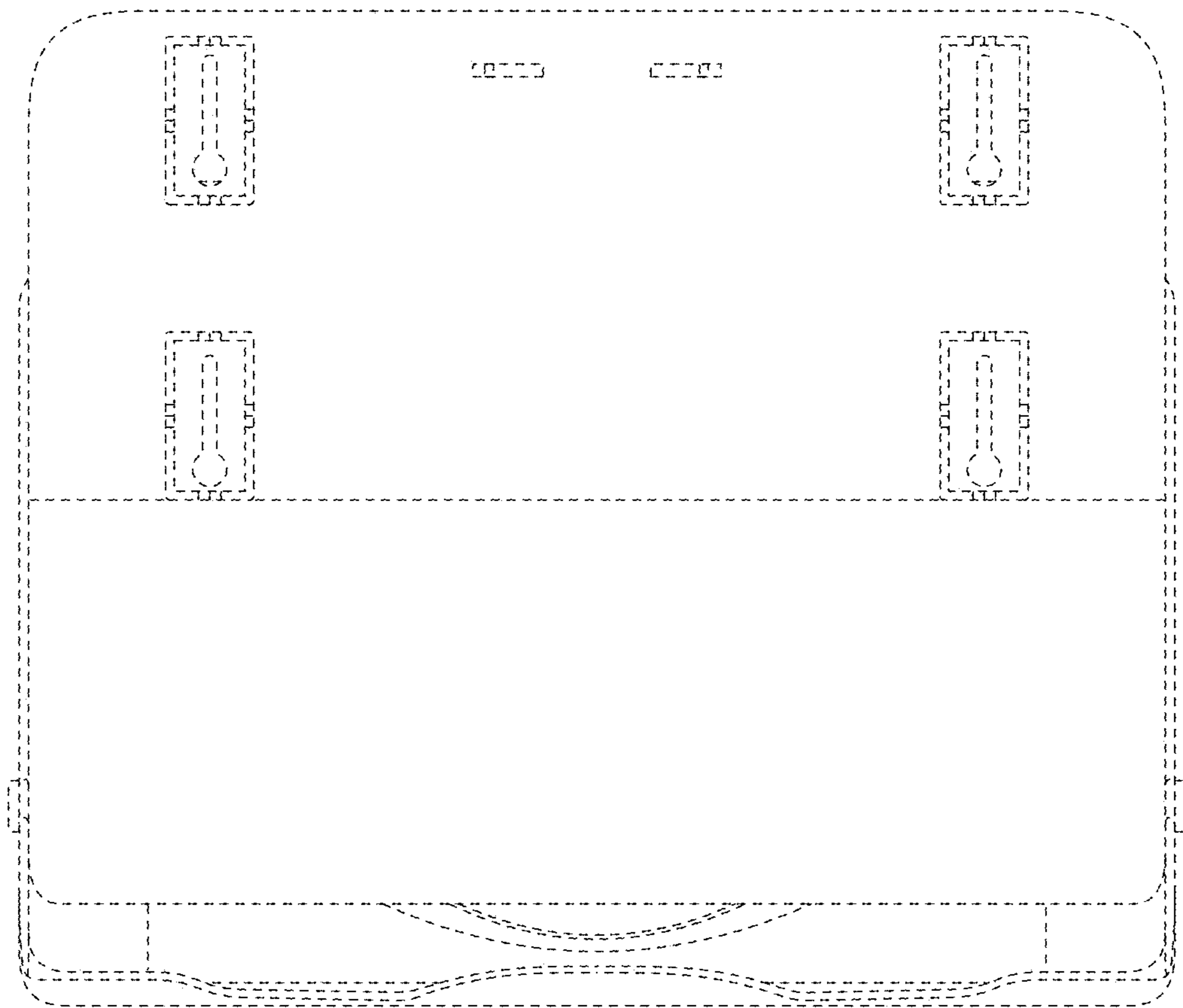
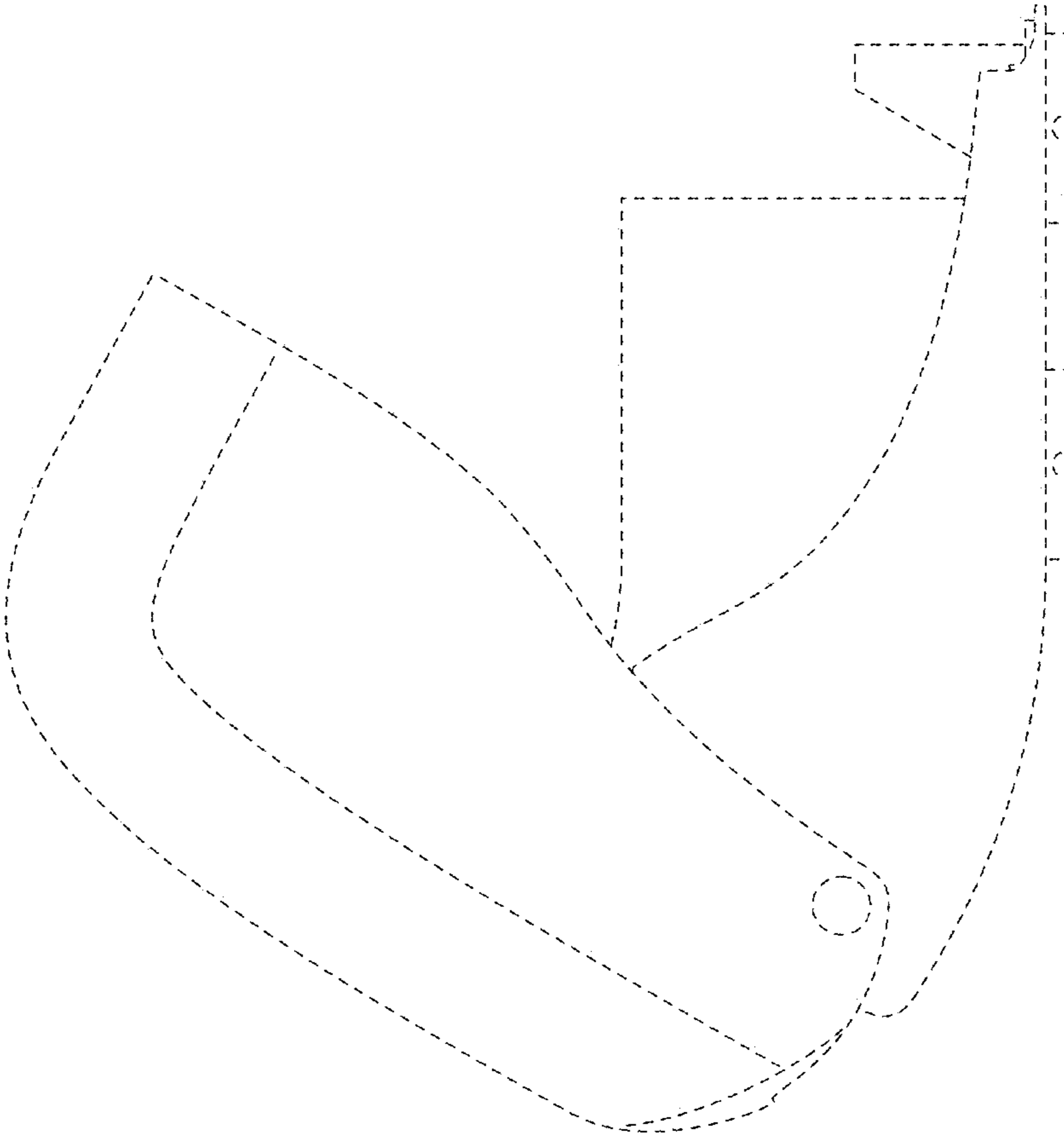


FIG. 10



**FIG. 11**

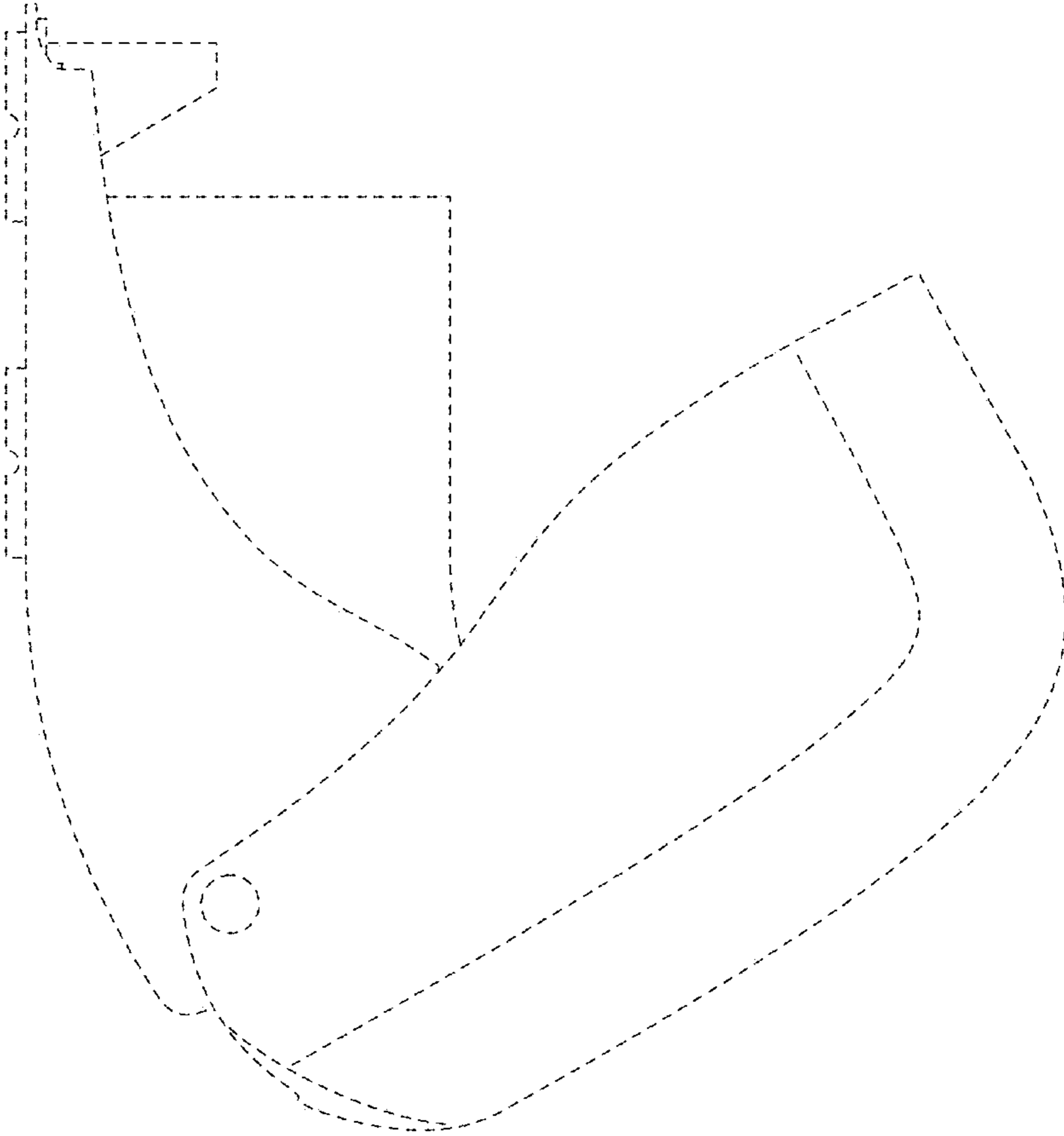
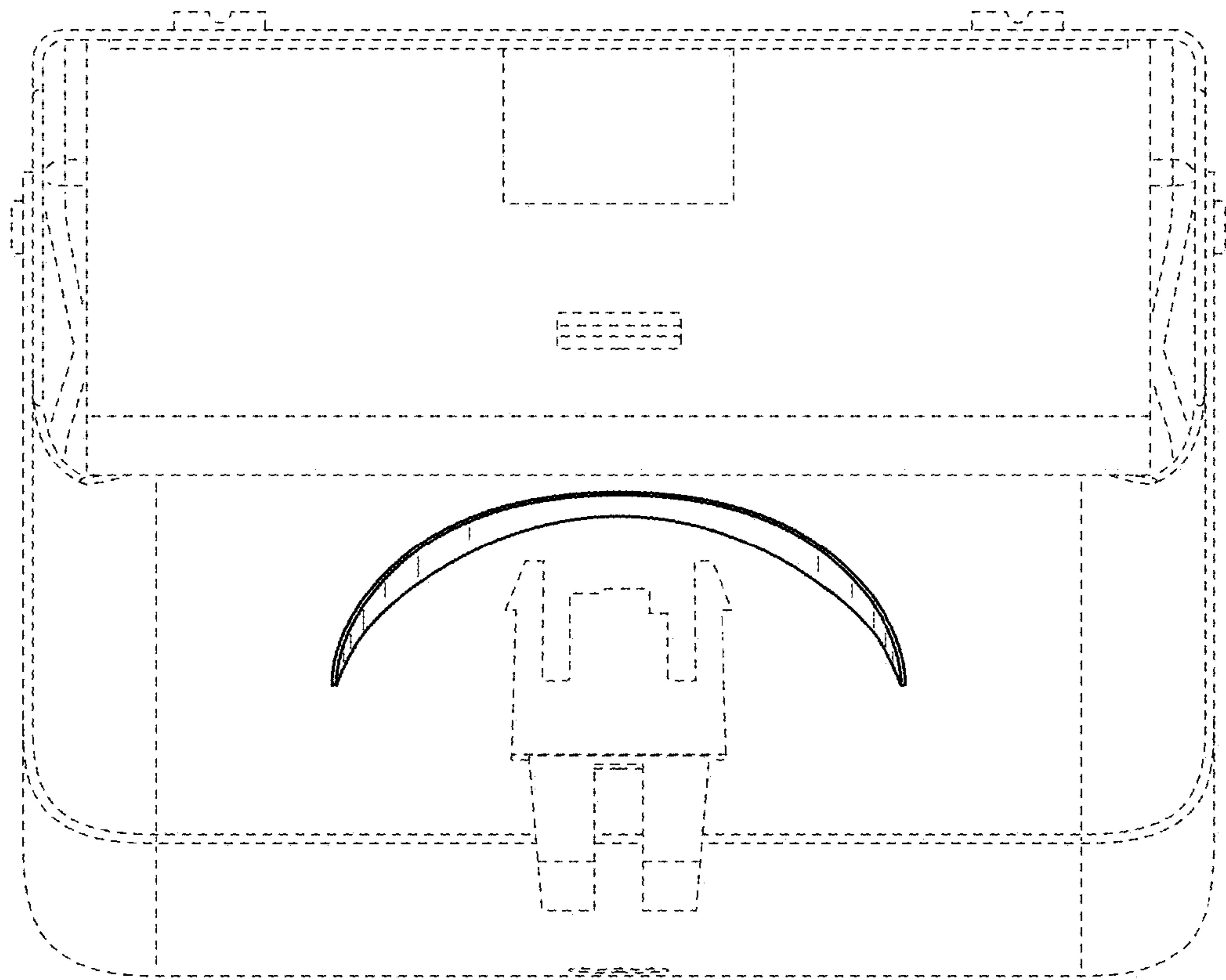
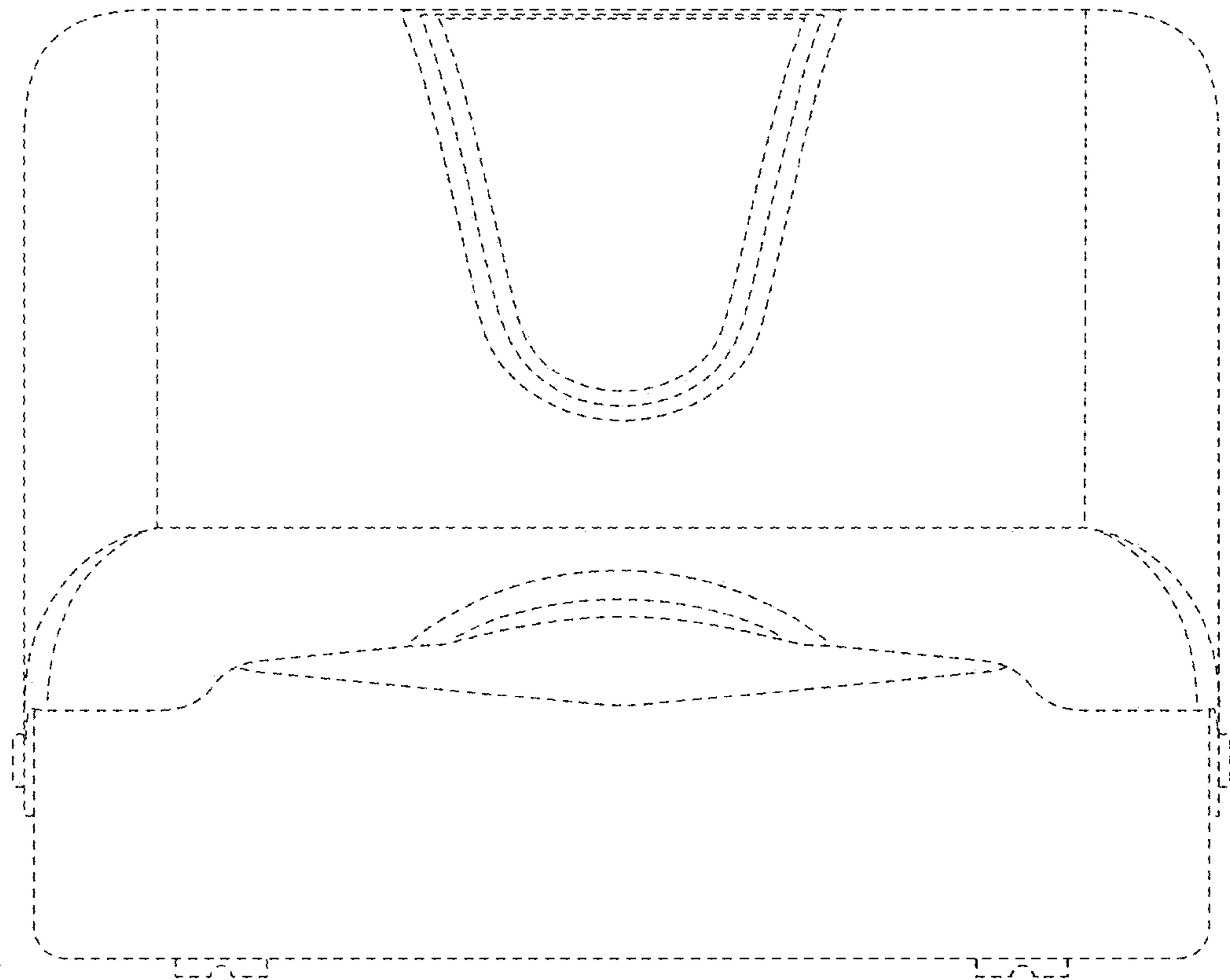


FIG. 12



**FIG. 13**



**FIG. 14**