



US00D91999S

(12) **United States Design Patent** (10) **Patent No.:** **US D919,999 S**
Velez (45) **Date of Patent:** **** May 25, 2021**

(54) **SOFA**
(71) Applicant: **HOLLY HUNT ENTERPRISES, INC.**, Chicago, IL (US)
(72) Inventor: **Alberto Velez**, Chicago, IL (US)
(73) Assignee: **HOLLY HUNT ENTERPRISES, INC.**
(**) Term: **15 Years**
(21) Appl. No.: **29/710,322**
(22) Filed: **Oct. 22, 2019**
(51) **LOC (13) Cl.** **06-01**
(52) **U.S. Cl.**
USPC **D6/381**
(58) **Field of Classification Search**
USPC D6/377, 378, 381; D12/345
CPC A47C 1/026; A47C 1/032; A47C 1/143;
A47C 1/146; A47C 4/02; A47C 4/12;
A47C 4/46; A47C 5/06; A47C 5/10;
A47C 5/125; A47C 7/40; A47C 15/006;
A47C 17/162; A47C 17/1753; A47C
20/04; A47C 20/08; A47C 23/24; A47C
31/11; Y10S 297/90
See application file for complete search history.

(56) **References Cited**
U.S. PATENT DOCUMENTS
D270,403 S 9/1983 Matthias
D286,474 S * 11/1986 Culler D6/335
D290,559 S * 6/1987 Raftery D6/378
D298,389 S * 11/1988 Culler D6/335
D374,123 S * 10/1996 Natuzzi D6/335
(Continued)

OTHER PUBLICATIONS
Indiamart website, <https://www.indiamart.com/proddetail/luxury-curve-sofa-set-15316786233.html>, retrieved on Oct. 22, 2019, pp. 1-5.

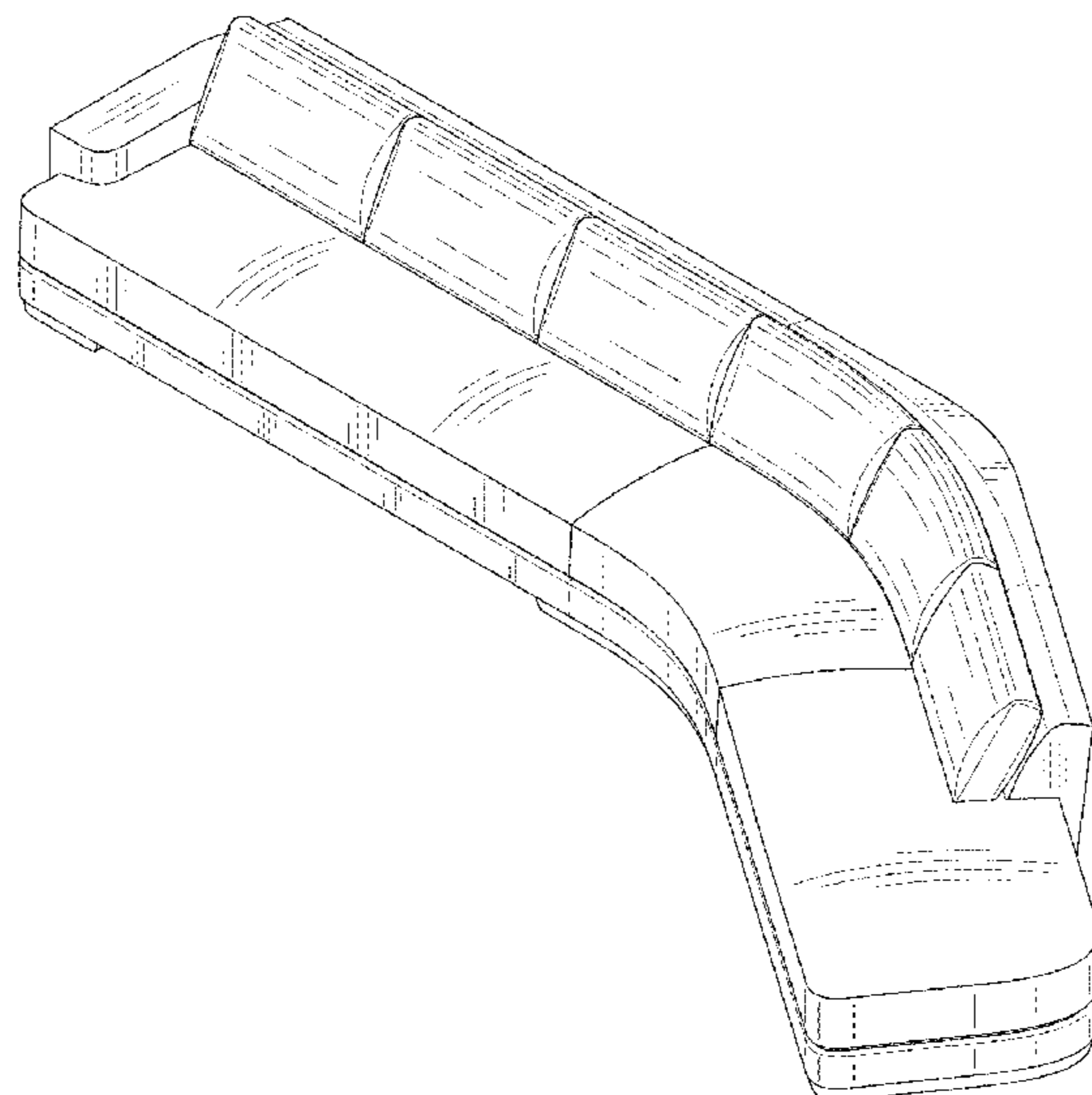
(Continued)

Primary Examiner — Kevin K Rudzinski
Assistant Examiner — Paul D Bohannon
(74) *Attorney, Agent, or Firm* — The Belles Group, P.C.

(57) **CLAIM**
The ornamental design for a sofa, as shown and described.

DESCRIPTION
FIG. 1 is a front perspective view of a sofa according to a first embodiment of the new design;
FIG. 2 is a rear perspective view thereof;
FIG. 3 is a front view thereof;
FIG. 4 is a rear view thereof;
FIG. 5 is a right side view thereof;
FIG. 6 is a left side view thereof;
FIG. 7 is a top view thereof;
FIG. 8 is a bottom view thereof;
FIG. 9 is a front perspective view of a sofa according to a second embodiment of the new design;
FIG. 10 is a rear perspective view thereof;
FIG. 11 is a front view thereof;
FIG. 12 is a rear view thereof;
FIG. 13 is a right side view thereof;
FIG. 14 is a left side view thereof;
FIG. 15 is a top view thereof;
FIG. 16 is a bottom view thereof;
FIG. 17 is a front perspective view of a sofa according to a third embodiment of the new design;
FIG. 18 is a rear perspective view thereof;
FIG. 19 is a front view thereof;
FIG. 20 is a rear view thereof;
FIG. 21 is a right side view thereof;
FIG. 22 is a left side view thereof;
FIG. 23 is a top view thereof; and,
FIG. 24 is a bottom view thereof.
The broken lines illustrate portions of the sofa that form no part of the claimed design.

1 Claim, 21 Drawing Sheets



(56)

References Cited

U.S. PATENT DOCUMENTS

D380,304	S	7/1997	Gera	
D519,296	S	4/2006	Ghetti	
D521,762	S	5/2006	Ricci	
D522,268	S *	6/2006	Denton	D6/381
D530,937	S *	10/2006	Barrett	D6/381
D540,061	S *	4/2007	Natuzzi	D6/381
D541,070	S *	4/2007	Nicoletti	D6/381
D542,560	S *	5/2007	Ricci	D6/381
D547,967	S *	8/2007	Oldham	D6/381
D549,482	S	8/2007	Natuzzi	
D567,527	S *	4/2008	Galardo	D6/381
D576,820	S *	9/2008	Priestman	D12/345
D577,220	S *	9/2008	Natuzzi	D6/381
D603,620	S *	11/2009	Natuzzi	D6/381
D640,068	S *	6/2011	Valentini	D6/381
D702,958	S *	4/2014	Natuzzi	D6/381
D726,436	S	4/2015	Podsiadlo et al.	
D737,591	S *	9/2015	Kanthasamy	D6/381
D841,355	S *	2/2019	Citterio	D6/381
D883,699	S *	5/2020	Hsu	D6/381
D894,623	S *	9/2020	Kimmel	D6/357

OTHER PUBLICATIONS

Christopher Wray website, <https://www.christopherwray.com/curve-sofa>, retrieved on Oct. 22, 2019, pp. 1-3.

Macy's website, <https://www.macys.com/shop/b/curved-sofa?id=71585>, retrieved on Oct. 22, 2019, pp. 1-3.

* cited by examiner

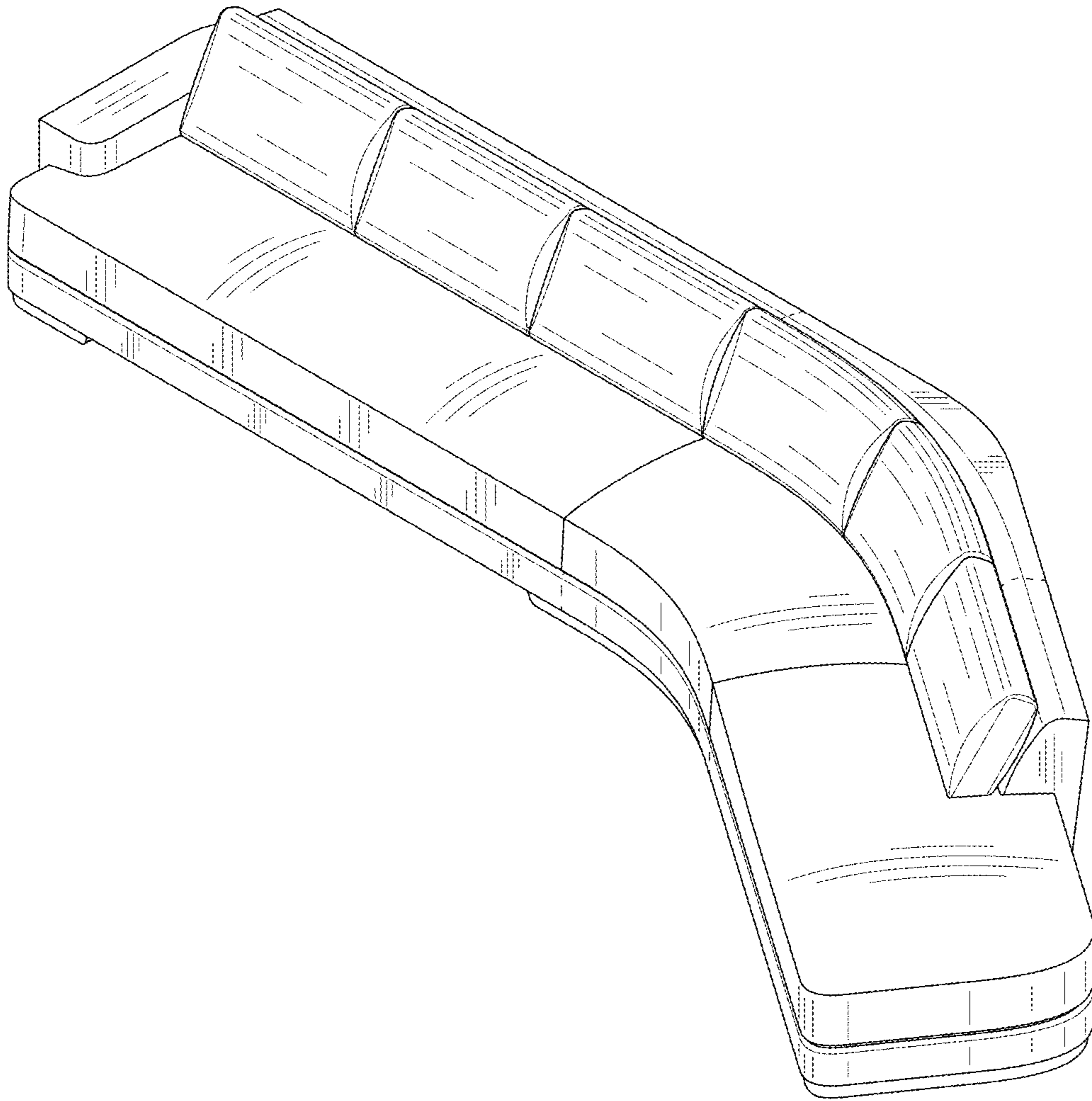


FIG. 1

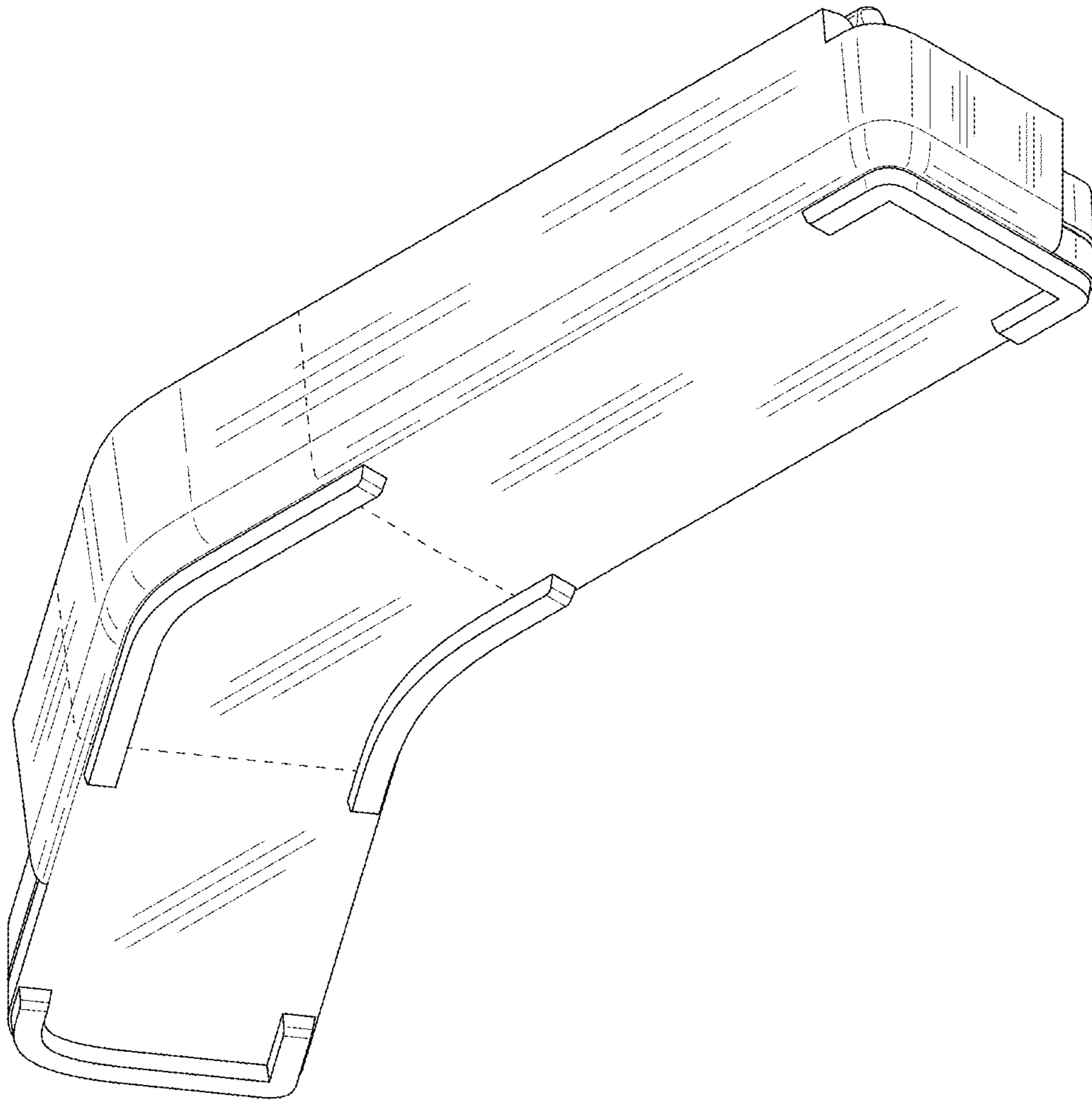


FIG. 2

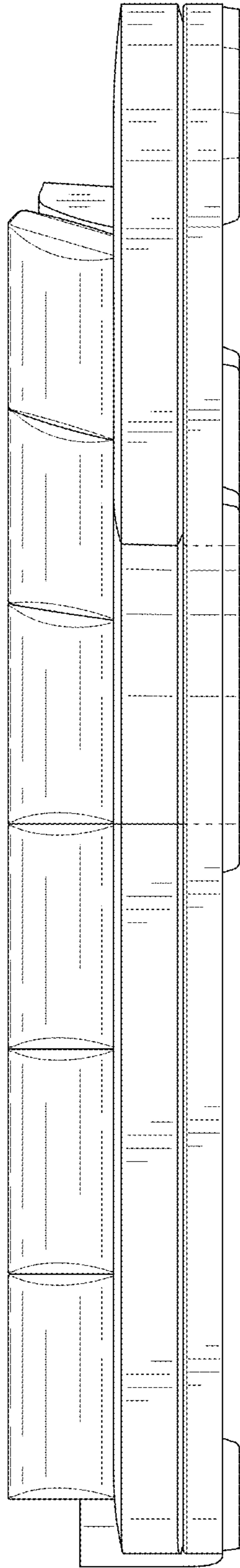


FIG. 3

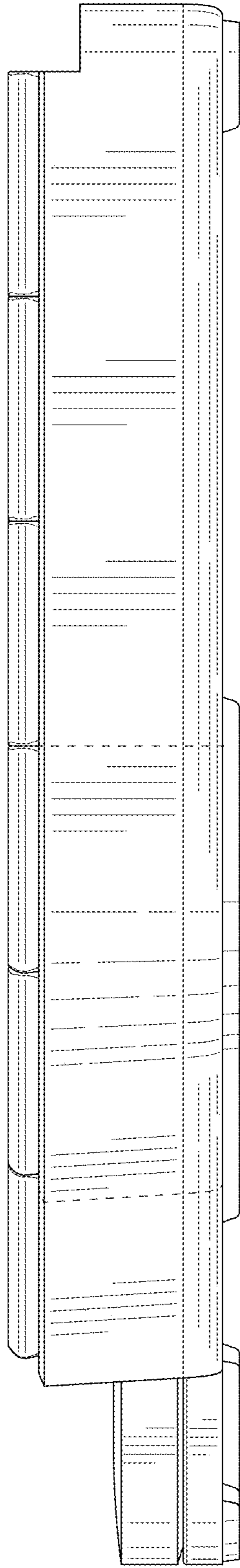


FIG. 4

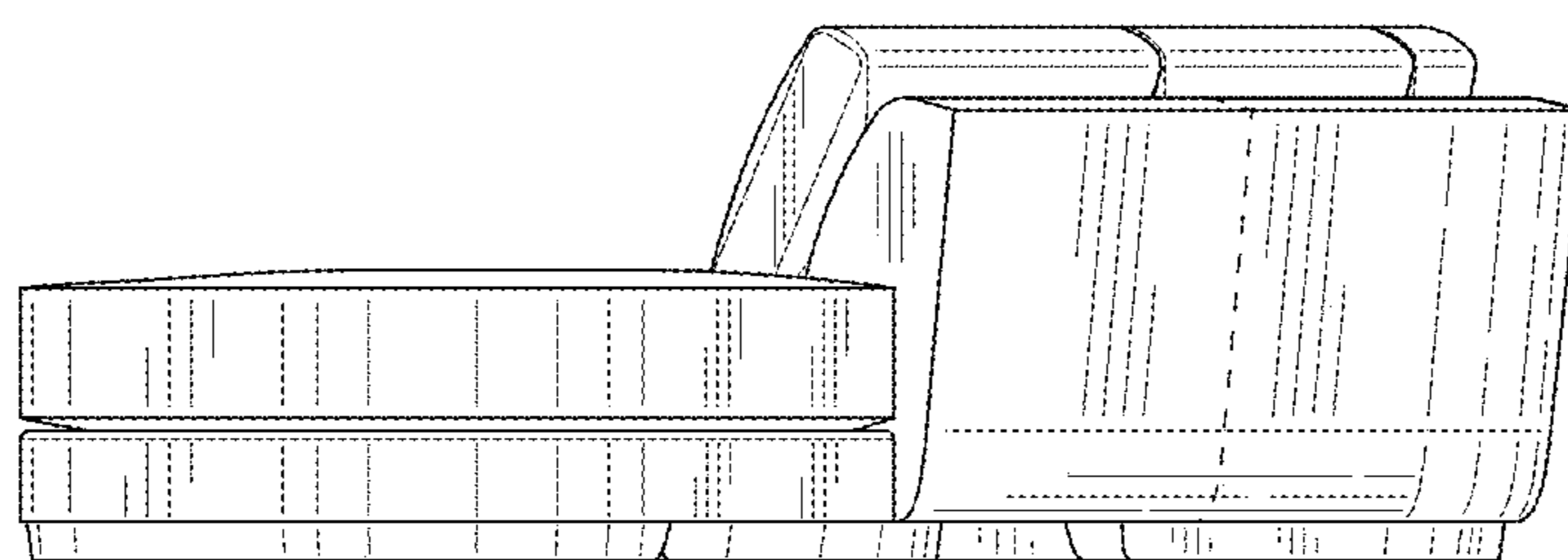


FIG. 5

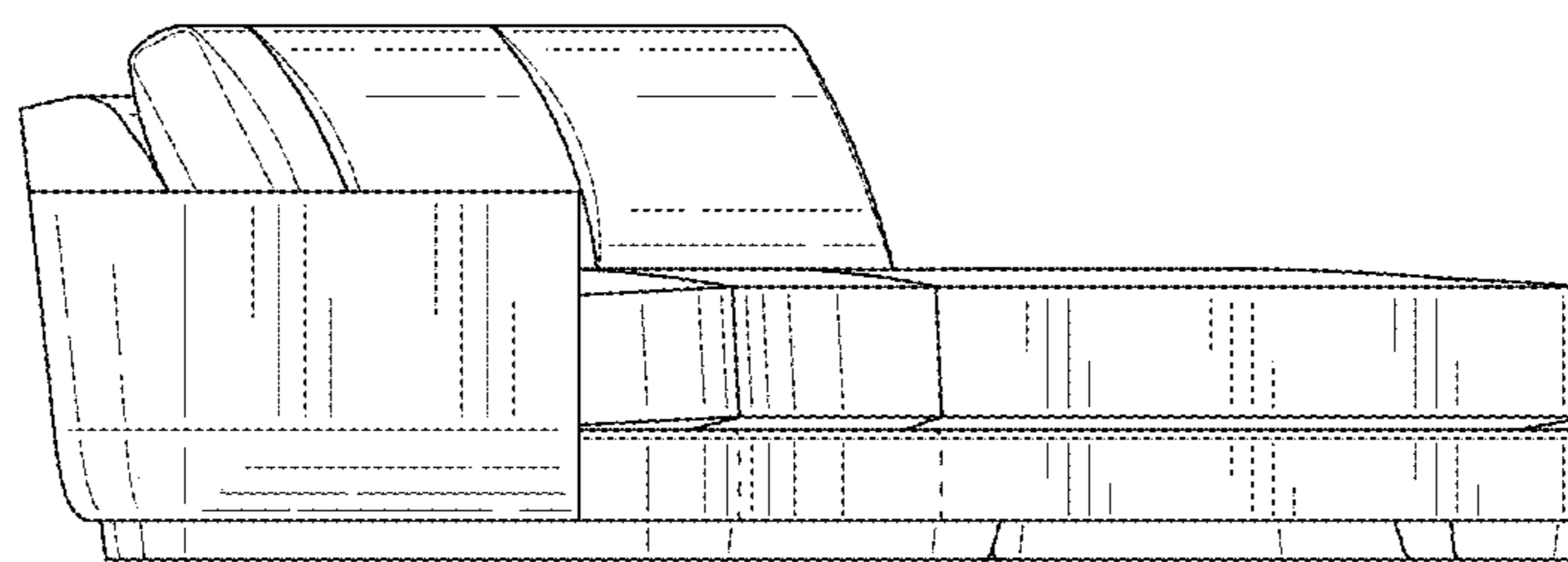


FIG. 6

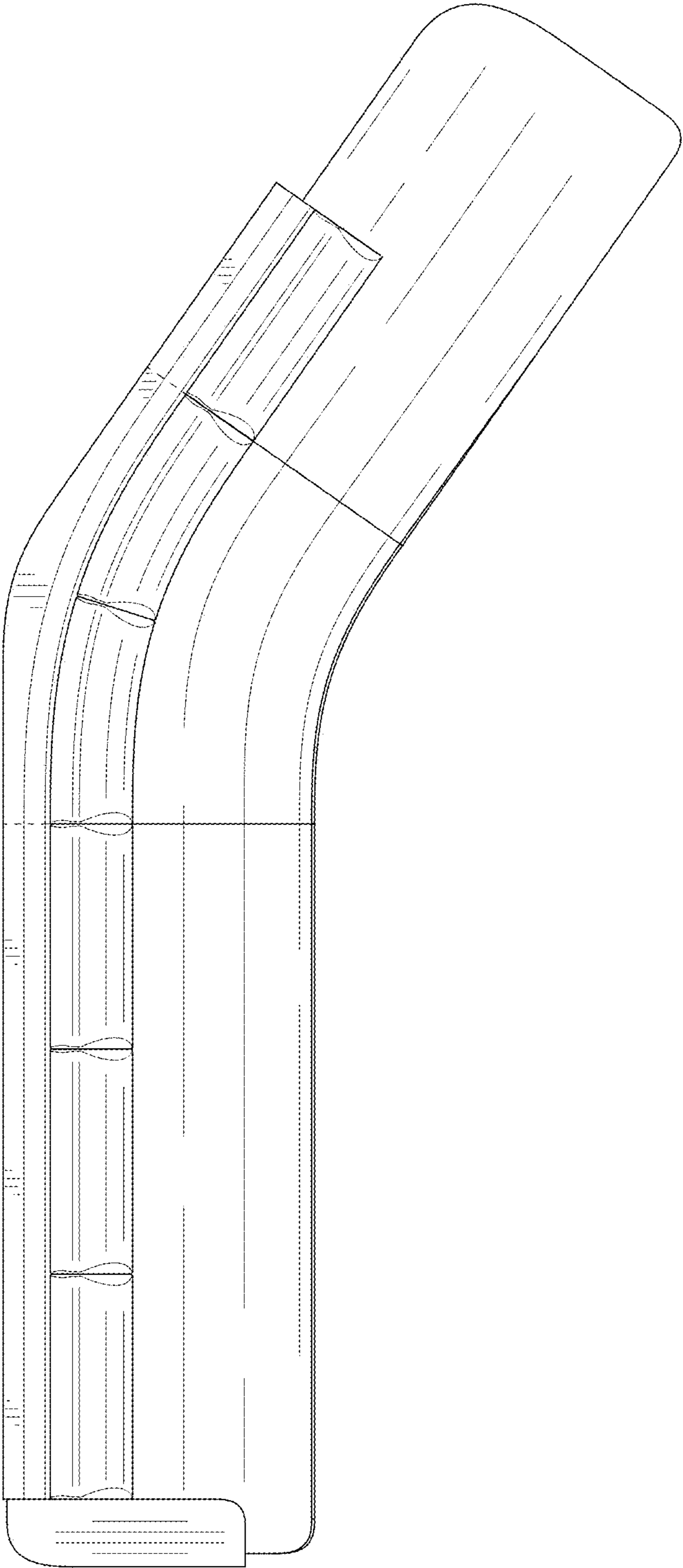


FIG. 7

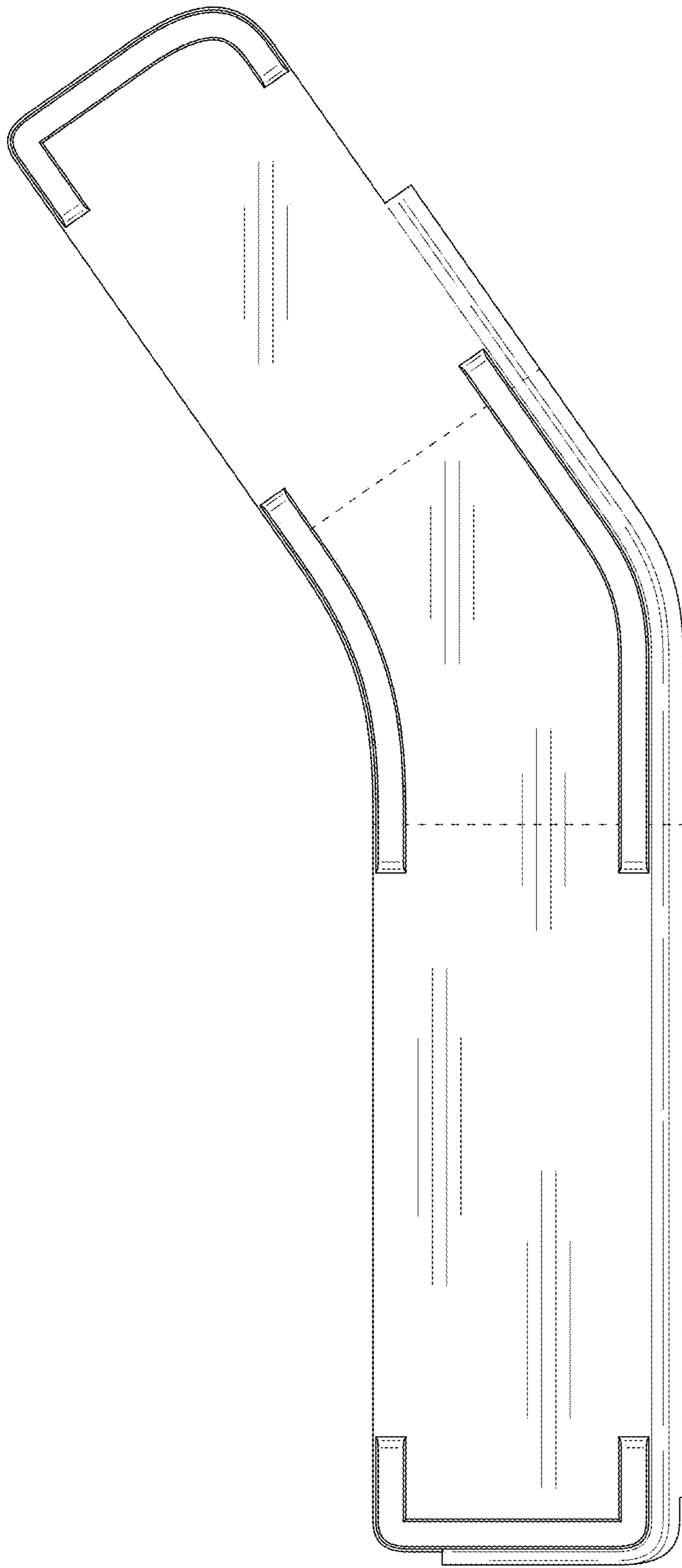


FIG. 8

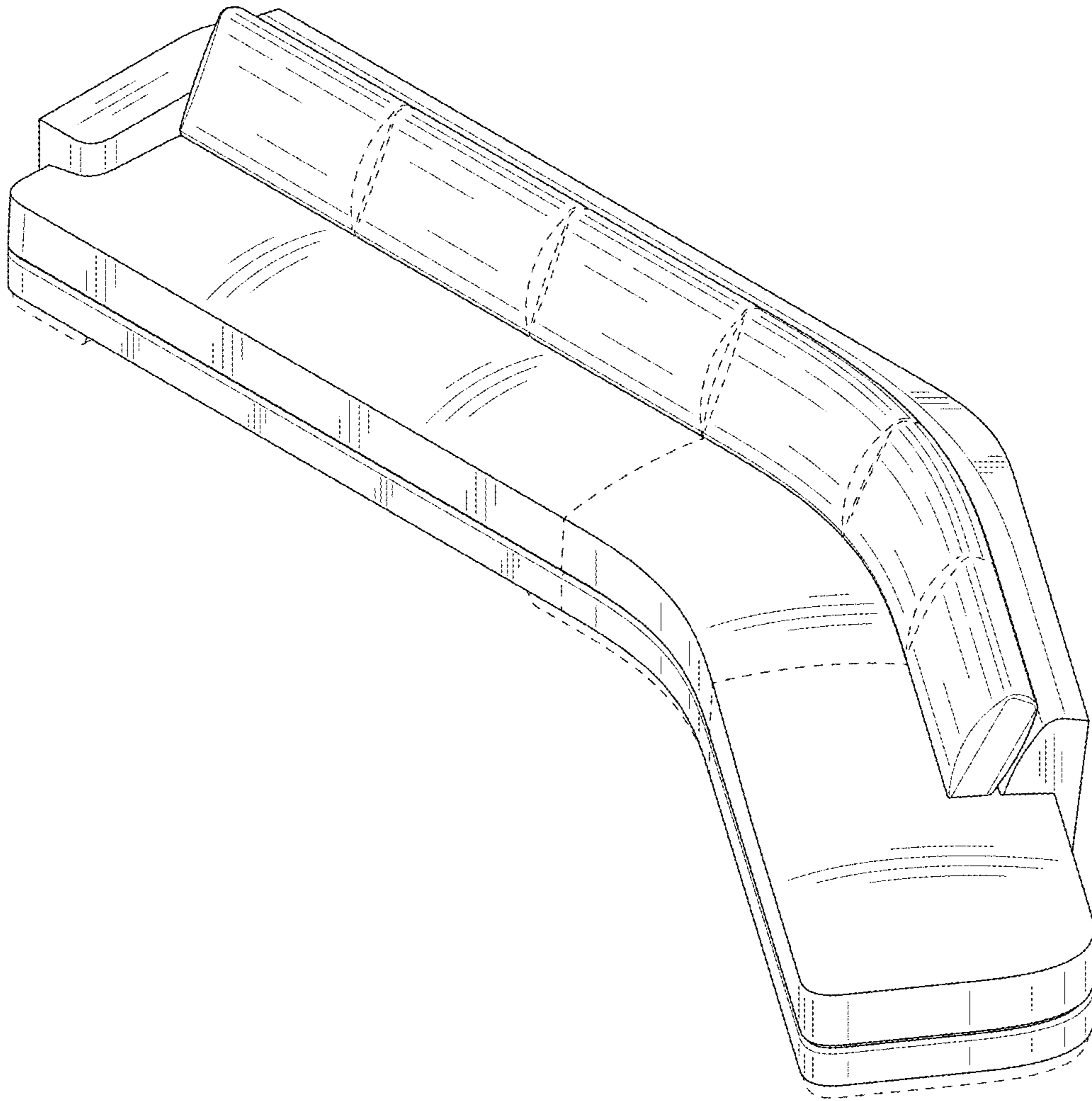


FIG. 9

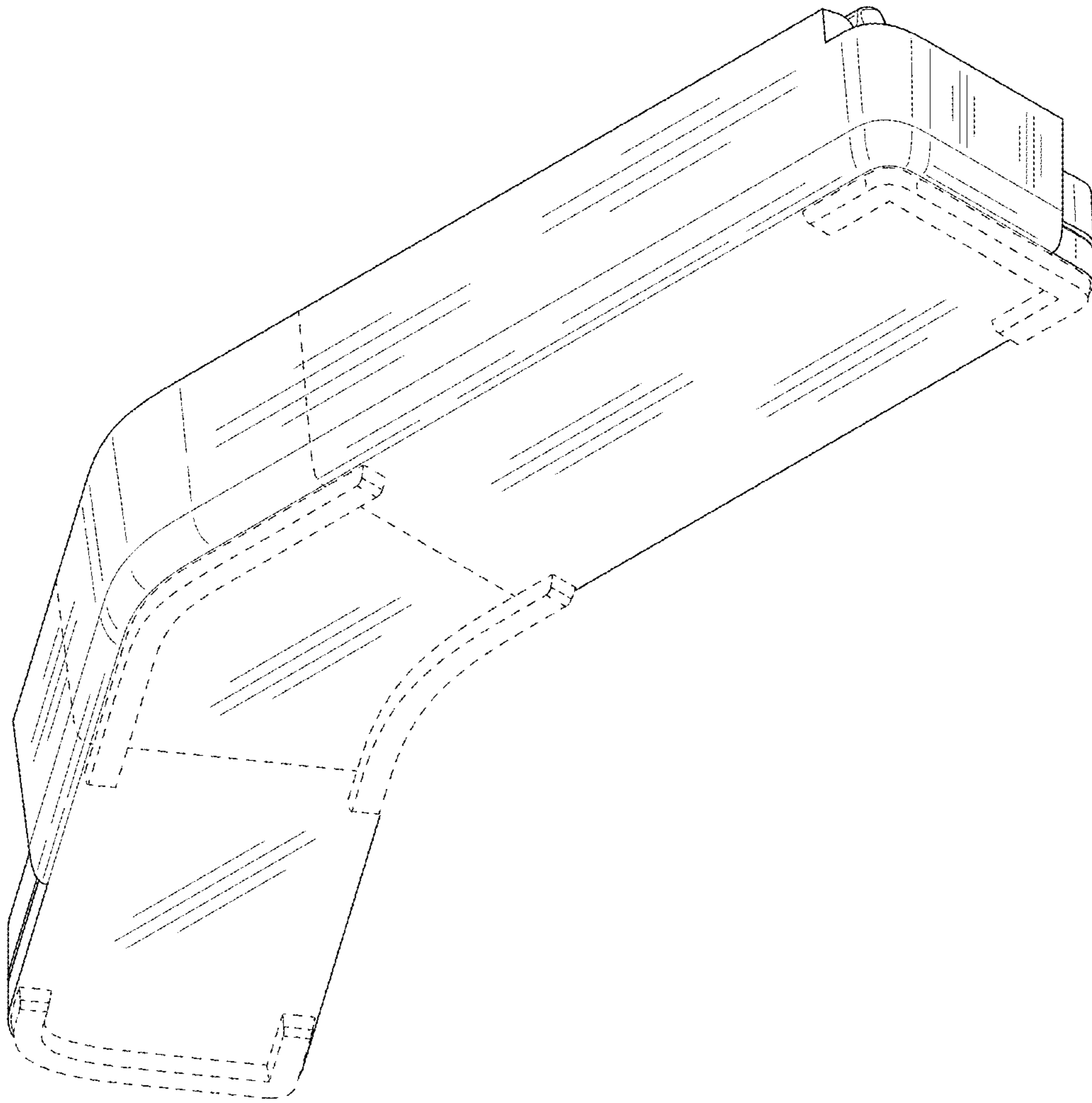


FIG. 10

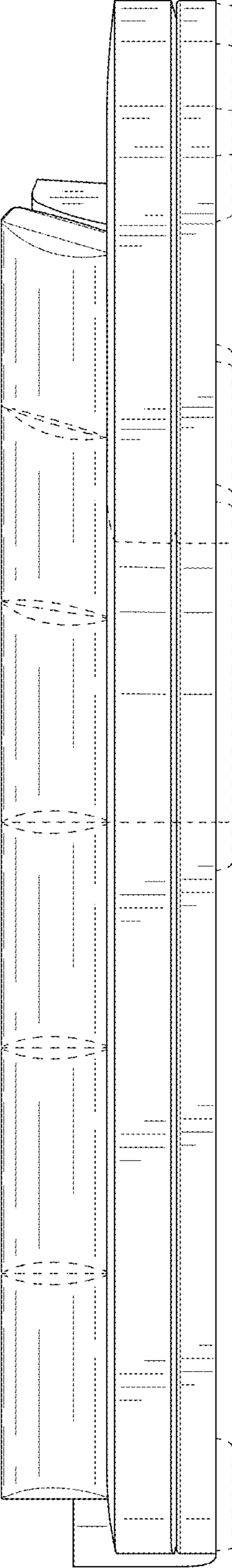


FIG. 11

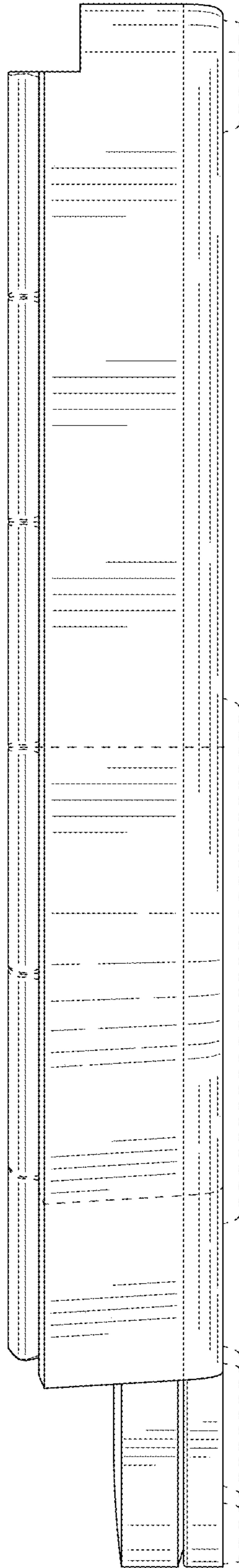


FIG. 12

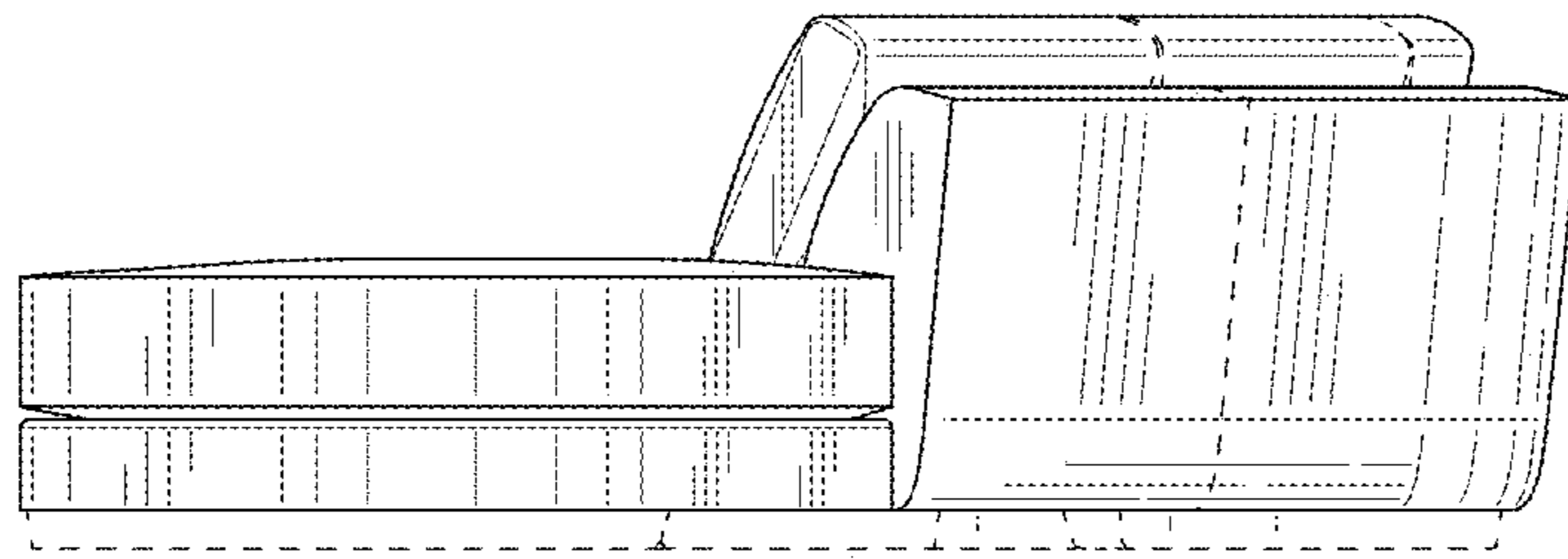


FIG. 13

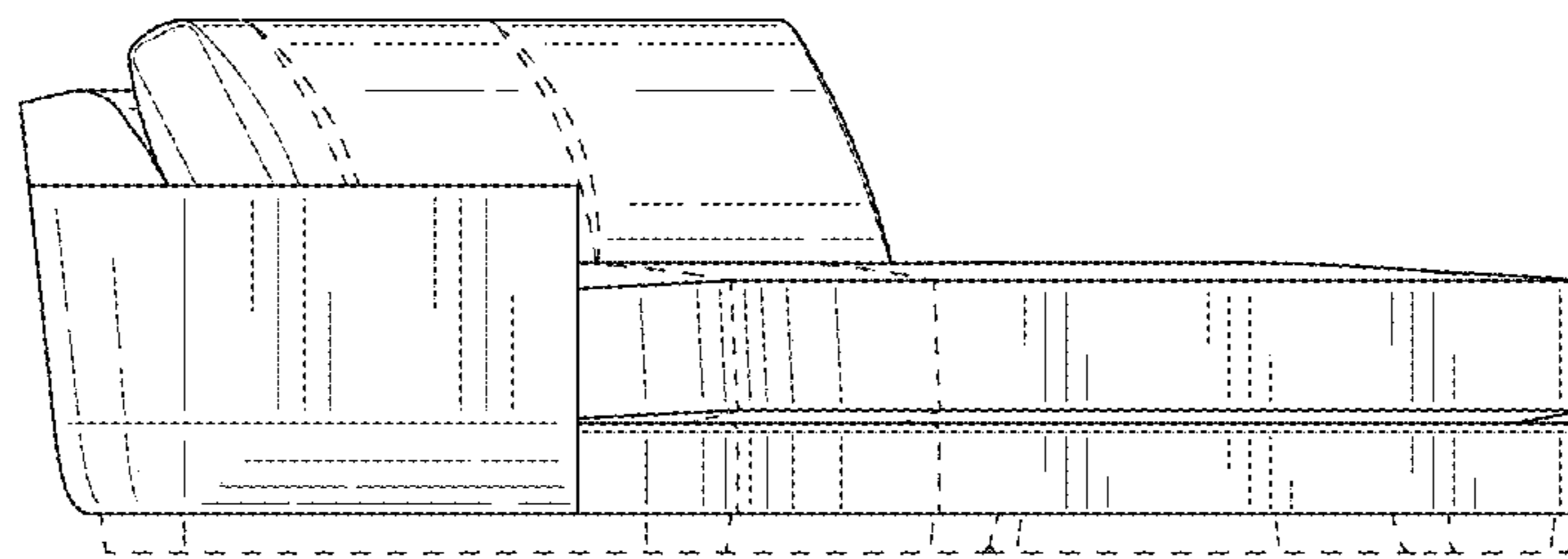


FIG. 14

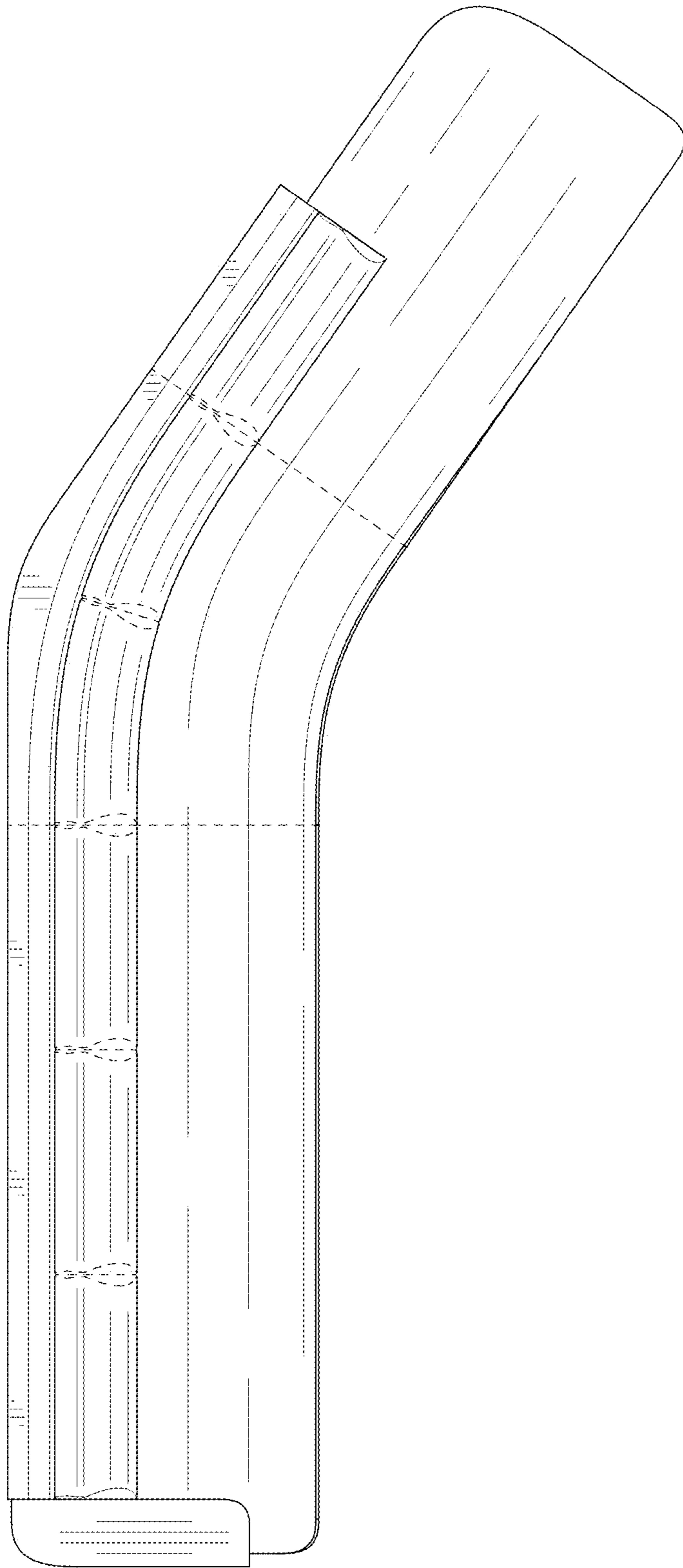


FIG. 15

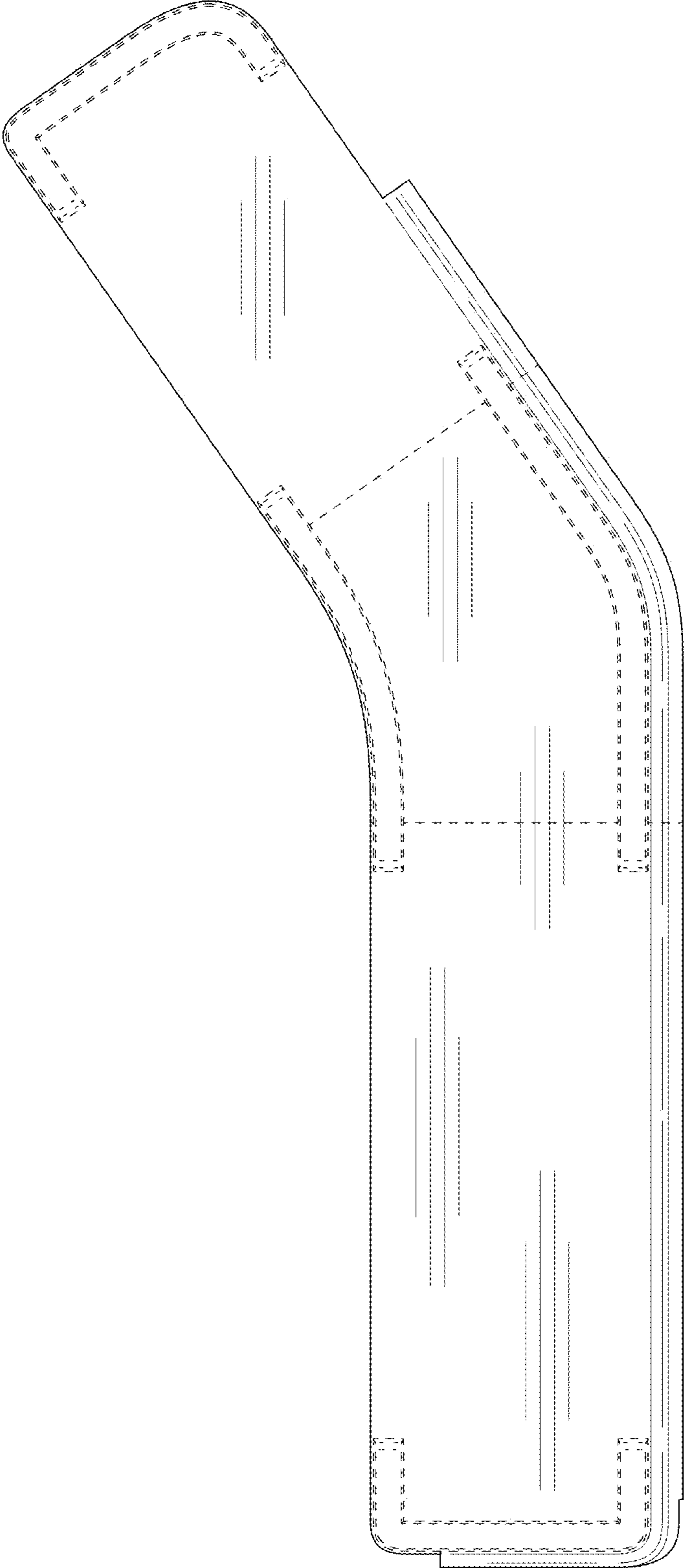


FIG. 16

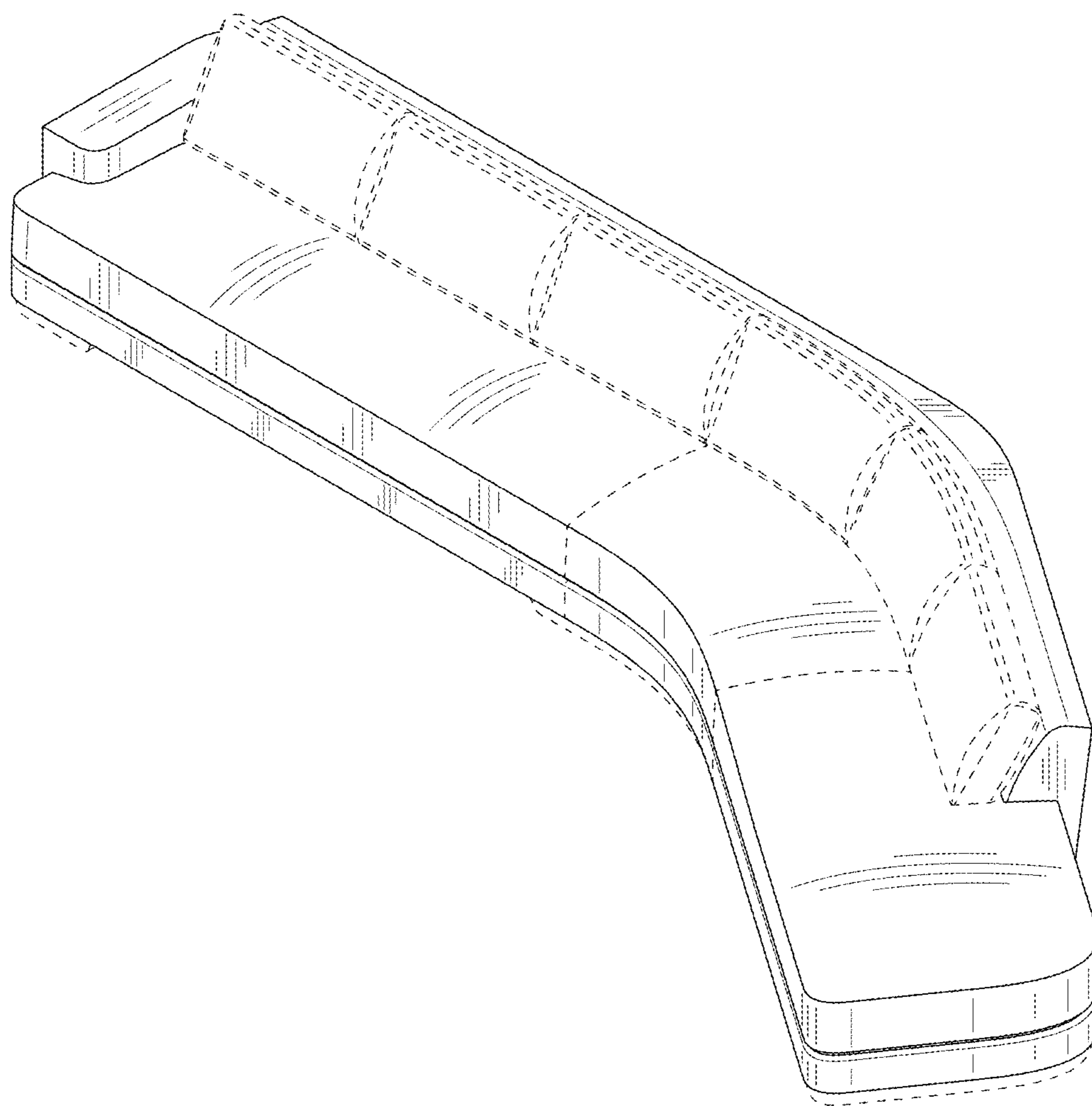


FIG. 17

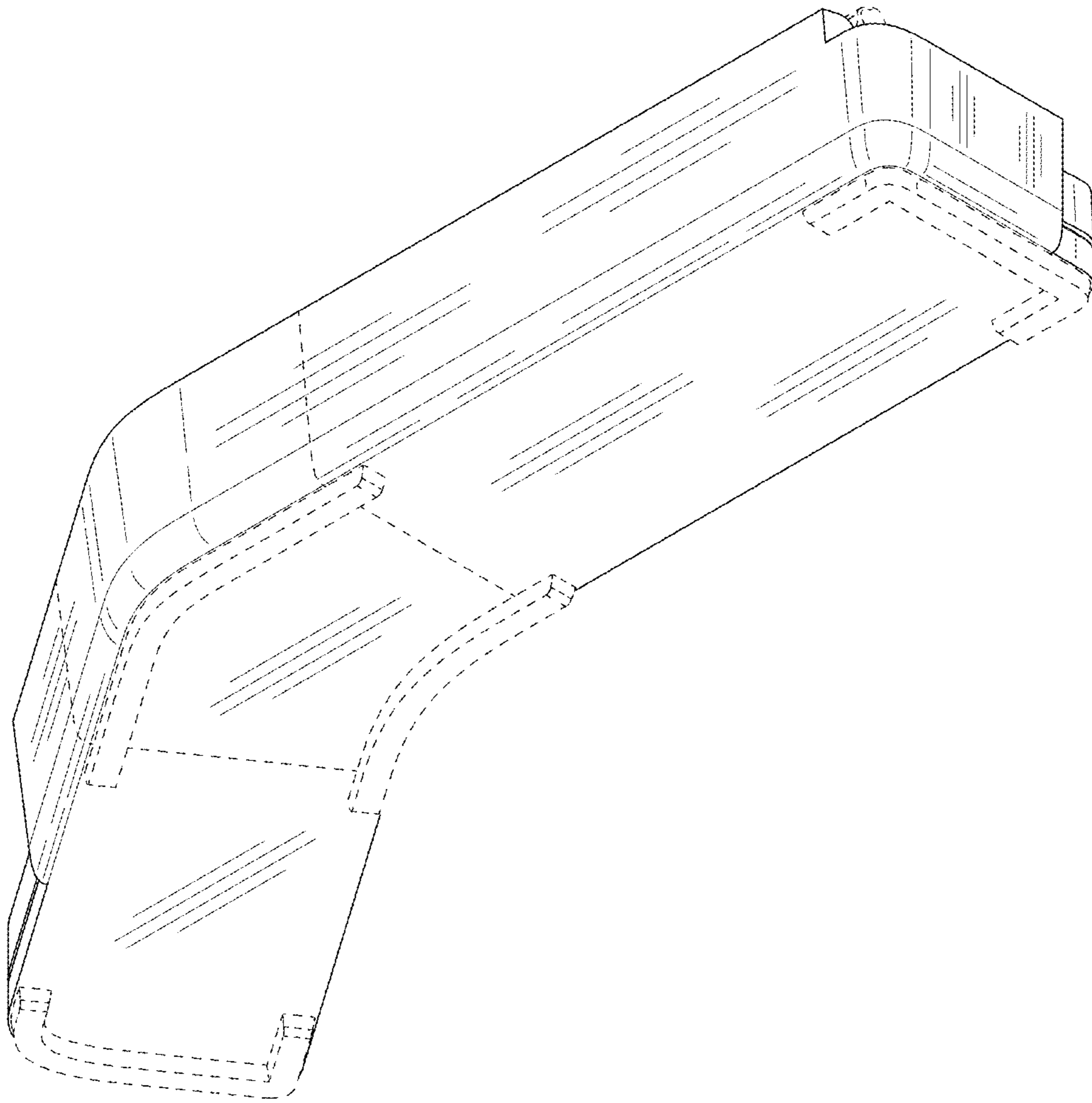


FIG. 18

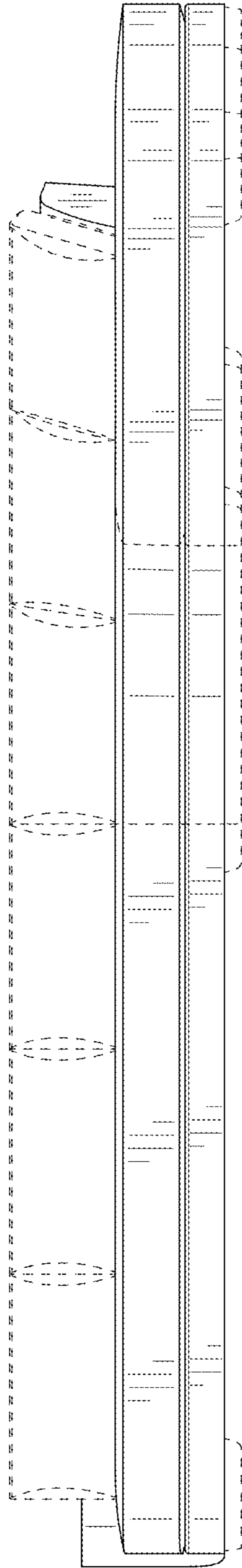


FIG. 19

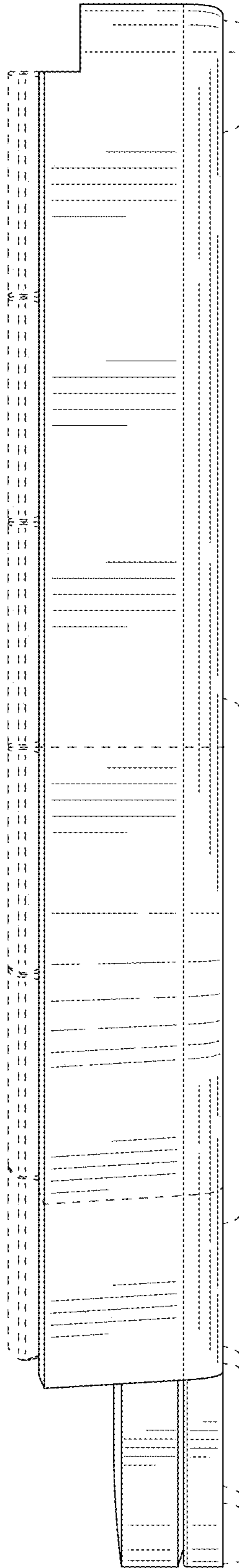


FIG. 20

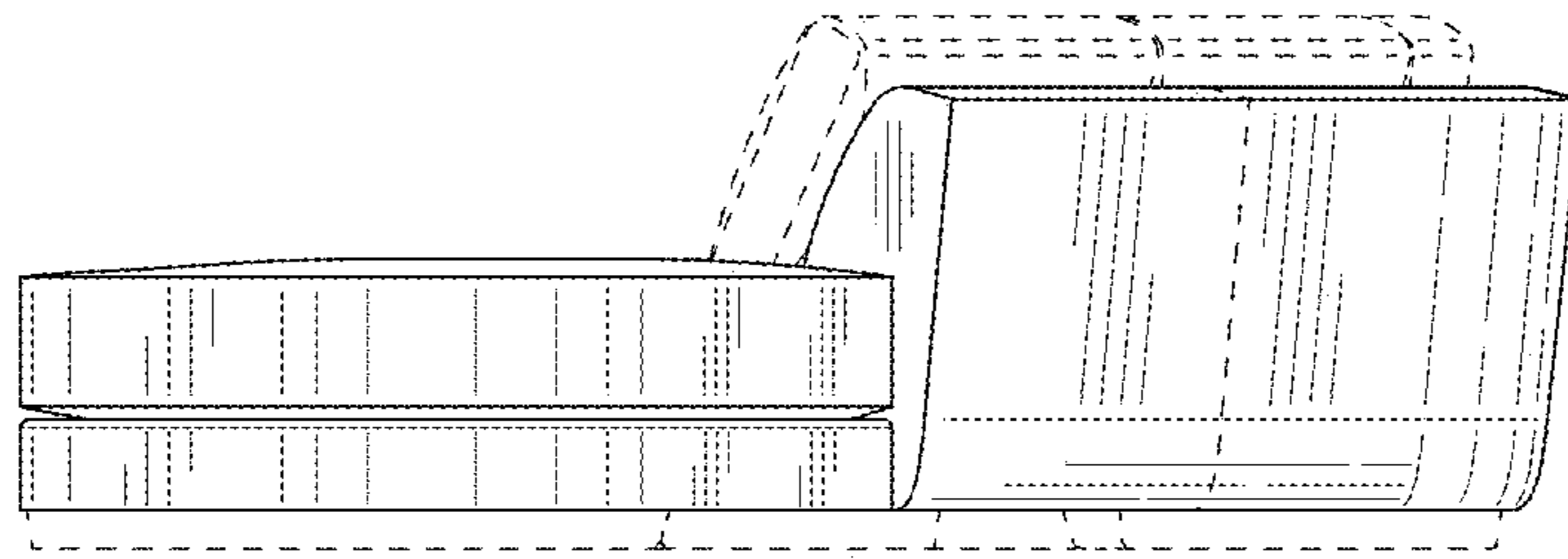


FIG. 21

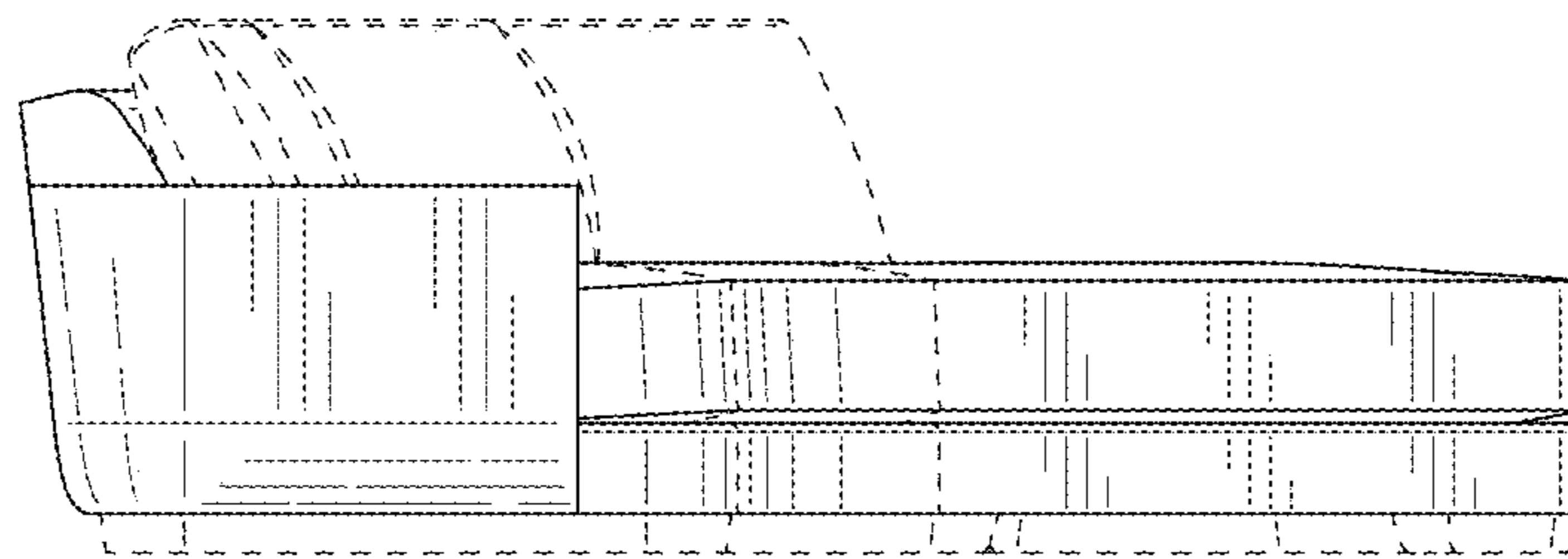


FIG. 22

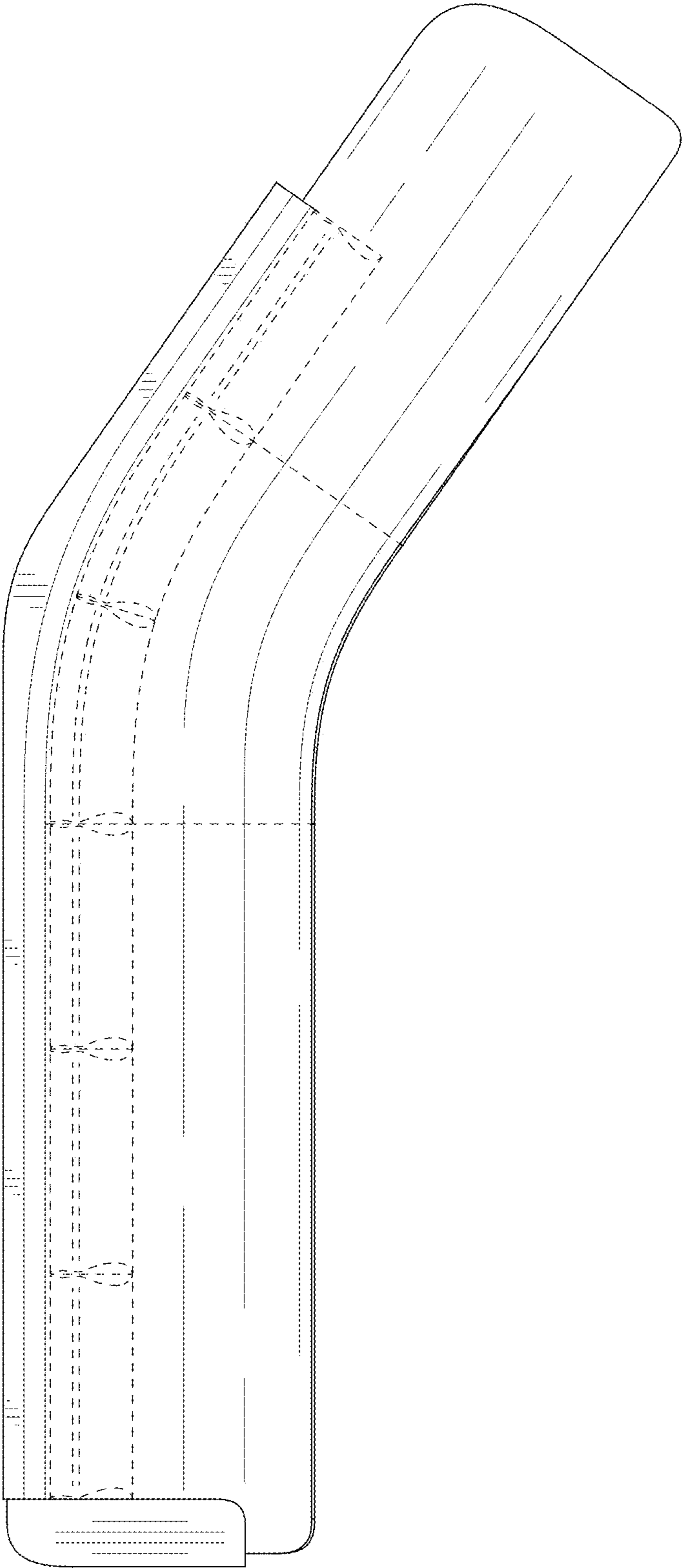


FIG. 23

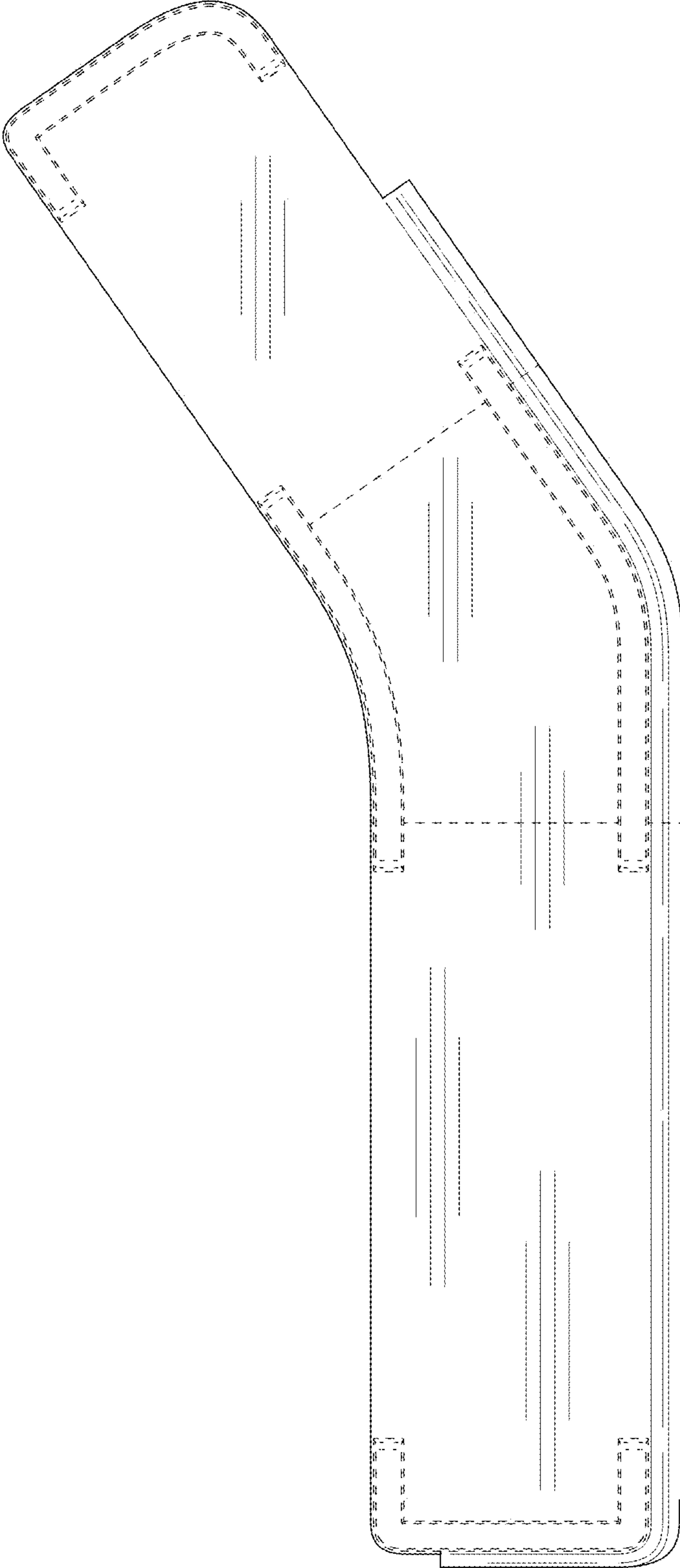


FIG. 24