



US00D919998S

(12) **United States Design Patent** (10) **Patent No.:** **US D919,998 S**
Velez (45) **Date of Patent:** **** May 25, 2021**

(54) **CHAIR**

(71) Applicant: **HOLLY HUNT ENTERPRISES, INC.**, Chicago, IL (US)
(72) Inventor: **Alberto Velez**, Chicago, IL (US)
(73) Assignee: **HOLLY HUNT ENTERPRISES, INC.**
(**) Term: **15 Years**

(21) Appl. No.: **29/719,885**

(22) Filed: **Jan. 8, 2020**

(51) **LOC (13) Cl.** **06-01**

(52) **U.S. Cl.**
USPC **D6/374**

(58) **Field of Classification Search**
USPC D6/333, 334, 341, 348, 349, 350, 352, D6/353, 360, 364, 369, 370, 371, 373, D6/374, 375, 376, 377, 379, 380, 390, D6/677, 692, 700, 708, 708.16, 716, 366; D16/237; D21/412, 419, 521
CPC A47C 1/124; A47C 3/34; A47C 4/028; A47C 4/02; A47C 5/12; A47C 5/125; A47C 7/506; A47C 9/007; A47C 13/005; A47C 13/023; A47C 31/113; A47C 3/00; A47C 4/08; A47C 4/00; A47C 7/70; A47C 7/405; A47C 13/00; B60R 2/0284; B60R 2/062; B60R 22/001; B60R 22/24; B60R 22/28; B60R 22/58; B60R 22/64; B60R 22/68; B60R 22/80; B60R 22/99; B60R 22/245; B60R 22/643; B60R 22/646; B60R 22/665; B60R 22/686; B60R 22/688; B60R 22/803; B60R 22/986; B60R 22/914; B60R 22/995; A47B 83/02; A47B 83/023; A47B 83/024; A47B 85/04
See application file for complete search history.

(56) **References Cited**

U.S. PATENT DOCUMENTS

1,467,147 A 9/1923 Ettner
D337,450 S * 7/1993 Dettinger D6/334
(Continued)

OTHER PUBLICATIONS

Holly Hunt website, <https://www.hollyhunt.com/ShowProduct.aspx?ProductID=4925&ManufacturerID=1>, retrieved Nov. 26, 2019, pp. 1.
Holly Hunt website, <https://www.hollyhunt.com/ShowProduct.aspx?ProductID=21771&ManufacturerID=1>, retrieved Nov. 26, 2019, pp. 1.

(Continued)

Primary Examiner — Kevin K Rudzinski
Assistant Examiner — Paul D Bohannon
(74) *Attorney, Agent, or Firm* — The Belles Group, P.C.

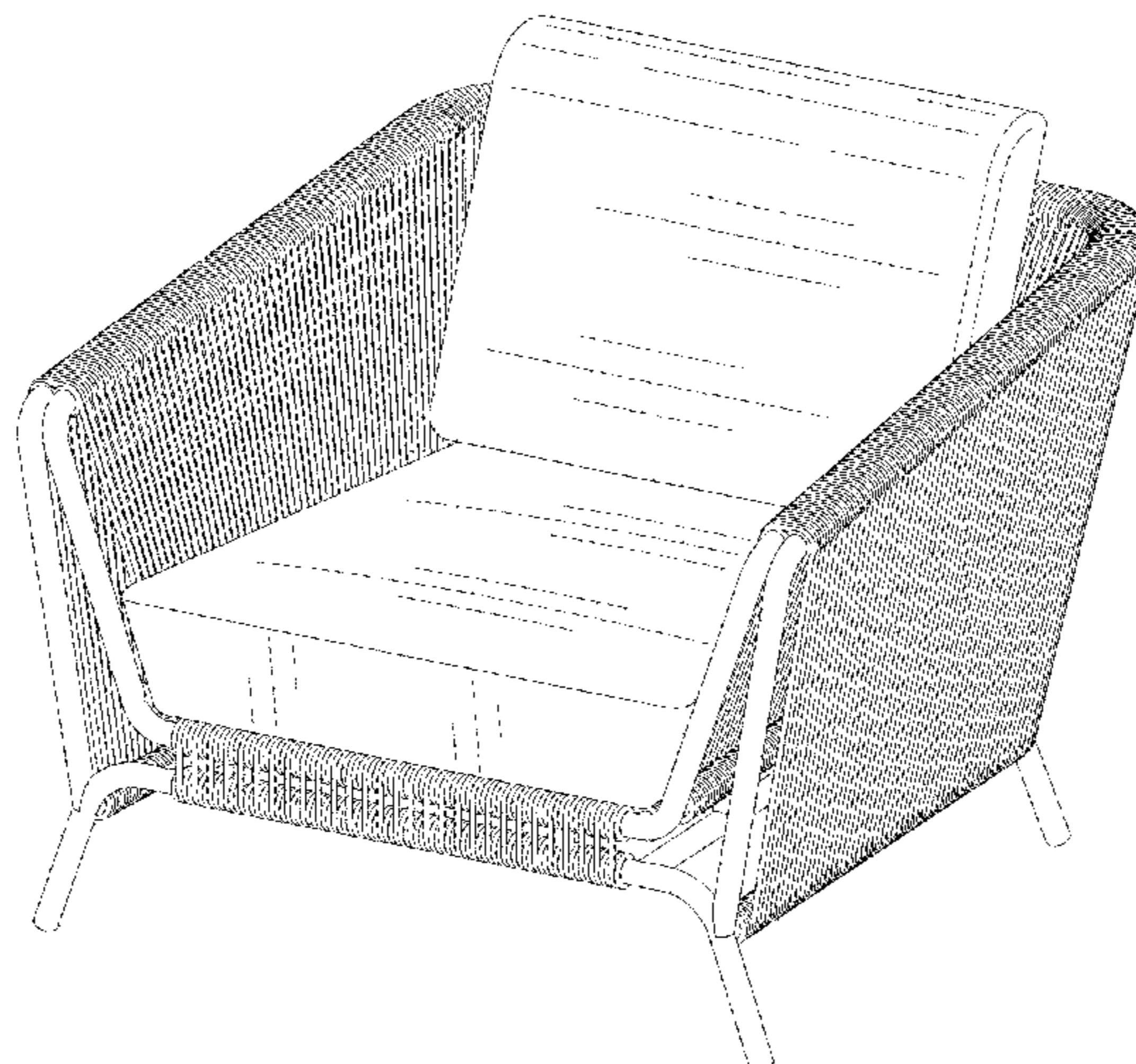
(57) **CLAIM**

The ornamental design for a chair, as shown and described.

DESCRIPTION

FIG. 1 is a front perspective view of a chair according to a first embodiment of the new design;
FIG. 2 is a rear perspective view thereof;
FIG. 3 is a front view thereof;
FIG. 4 is a rear view thereof;
FIG. 5 is a right side view thereof;
FIG. 6 is a left side view thereof;
FIG. 7 is a top view thereof;
FIG. 8 is a bottom view thereof;
FIG. 9 is a front perspective view of a chair according to a second embodiment of the new design;
FIG. 10 is a rear perspective view thereof;
FIG. 11 is a front view thereof;
FIG. 12 is a rear view thereof;
FIG. 13 is a right side view thereof;
FIG. 14 is a left side view thereof;
FIG. 15 is a top view thereof; and,
FIG. 16 is a bottom plan view thereof.
The broken lines in the drawings illustrate portions of the chair that form no part of the claimed design.

1 Claim, 16 Drawing Sheets



(56)

References Cited

U.S. PATENT DOCUMENTS

D410,800	S	*	6/1999	Gomez	D6/369
D412,408	S	*	8/1999	Navone	D6/369
D416,699	S		11/1999	Schwartz et al.		
D422,422	S	*	4/2000	Black	D6/334
D512,844	S	*	12/2005	Suzuki	D6/369
D657,584	S	*	4/2012	Nigro	D6/370
D663,966	S		7/2012	Lenney		
D720,149	S	*	12/2014	Armani	D6/369
D764,202	S		8/2016	Kirar		
D774,794	S	*	12/2016	Cazzaniga	D6/369
D829,016	S	*	9/2018	Segers	D6/370
D840,702	S	*	2/2019	Ho	D6/369
D846,908	S	*	4/2019	Ou	D6/371
D866,207	S	*	11/2019	Tham	D6/335
D866,213	S	*	11/2019	Natuzzi	D6/375
D872,494	S	*	1/2020	White, III	D6/369
D873,578	S	*	1/2020	Pedersen	D6/369
D888,452	S	*	6/2020	Koopthavonrerk	D6/369
D899,127	S	*	10/2020	Slettvoll	D6/374

OTHER PUBLICATIONS

Holly Hunt website, <https://www.hollyhunt.com/ShowProduct.aspx?ProductID=13068&ManufacturerID=39>, retrieved Nov. 26, 2019, pp. 1.

Holly Hunt website, <https://www.hollyhunt.com/ShowProduct.aspx?ProductID=13104&ManufacturerID=39>, retrieved Nov. 26, 2019, pp. 1.

World Market website, <https://www.worldmarket.com/product/charcoal-gray-string-durban-outdoor-dining-chair.do>, retrieved Nov. 26, 2019, pp. 1-6.

Rooms to Go website, <https://www.roomstogo.com/furniture/outdoor-patio/seating/chairs>, retrieved Nov. 26, 2019, pp. 1-3.

Lexmod website, <https://www.lexmod.com/outdoor/outdoor-chairs/aura-rattan-outdoor-patio-armchair/>, retrieved Nov. 26, 2019, pp. 1-4.

World Market website, <https://www.worldmarket.com/product/handwoven-rattan-and-kubu-roll-arm-calida-chair.do>, retrieved Nov. 26, 2019, pp. 1-7.

* cited by examiner

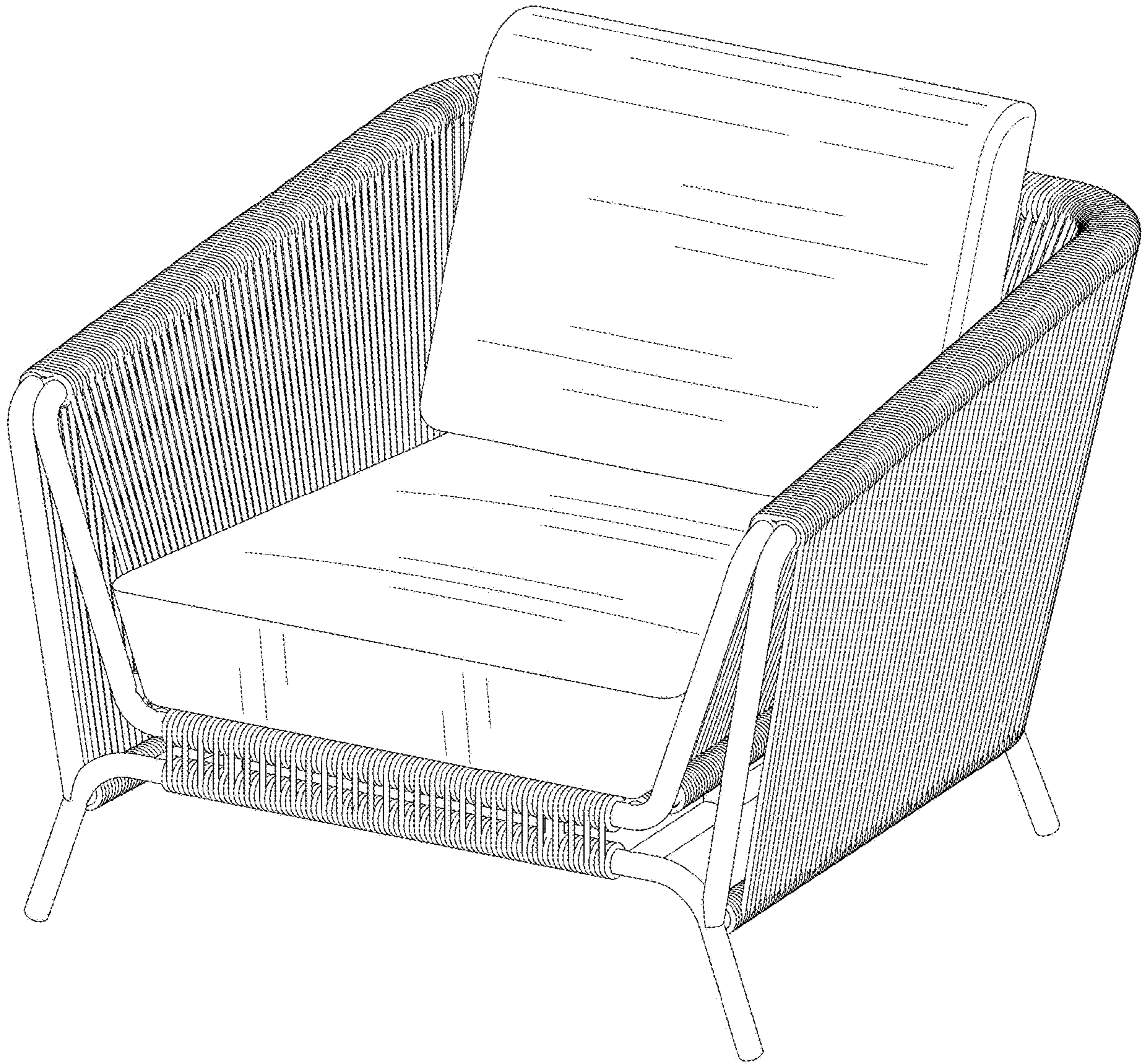


FIG. 1

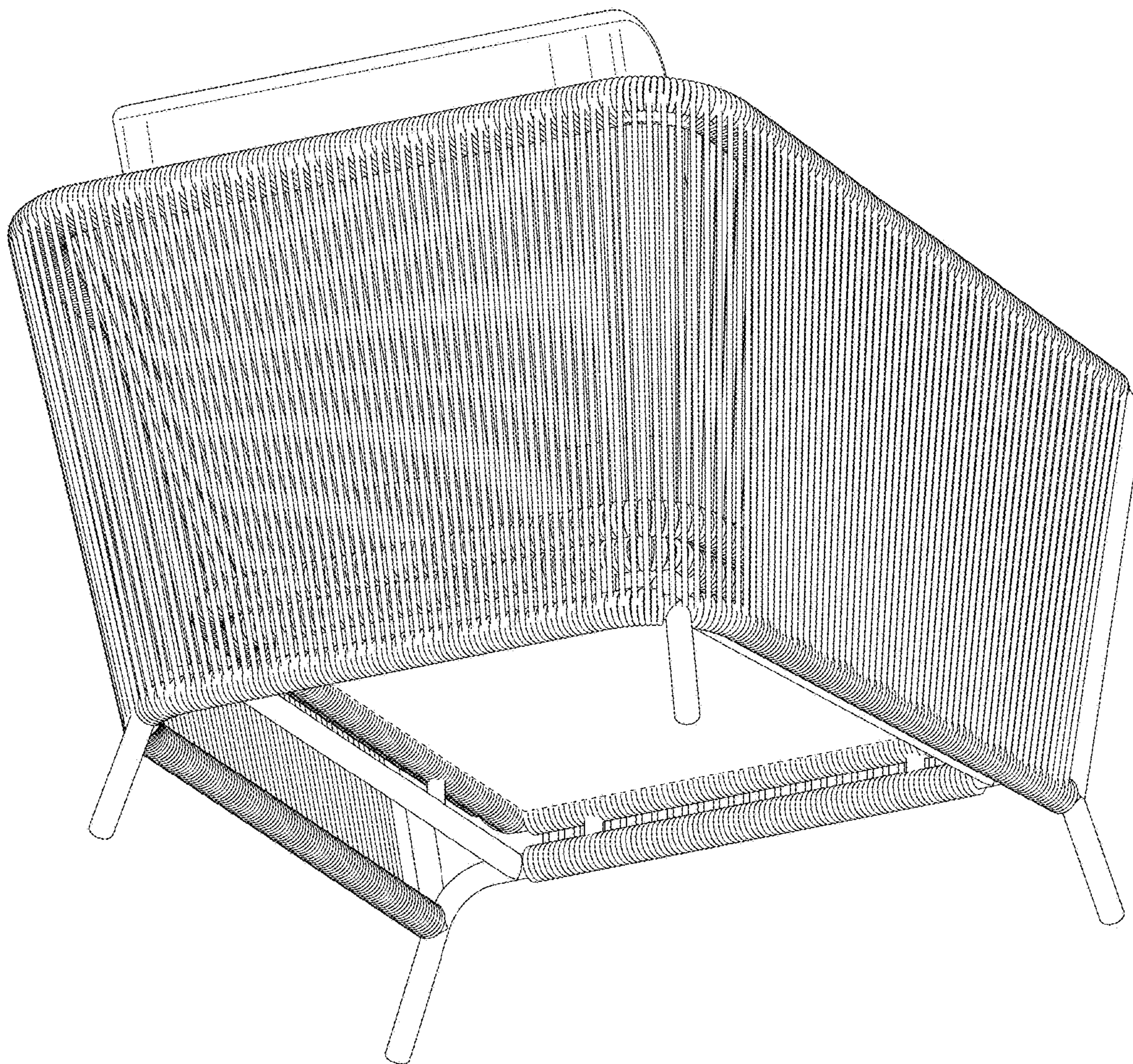


FIG. 2

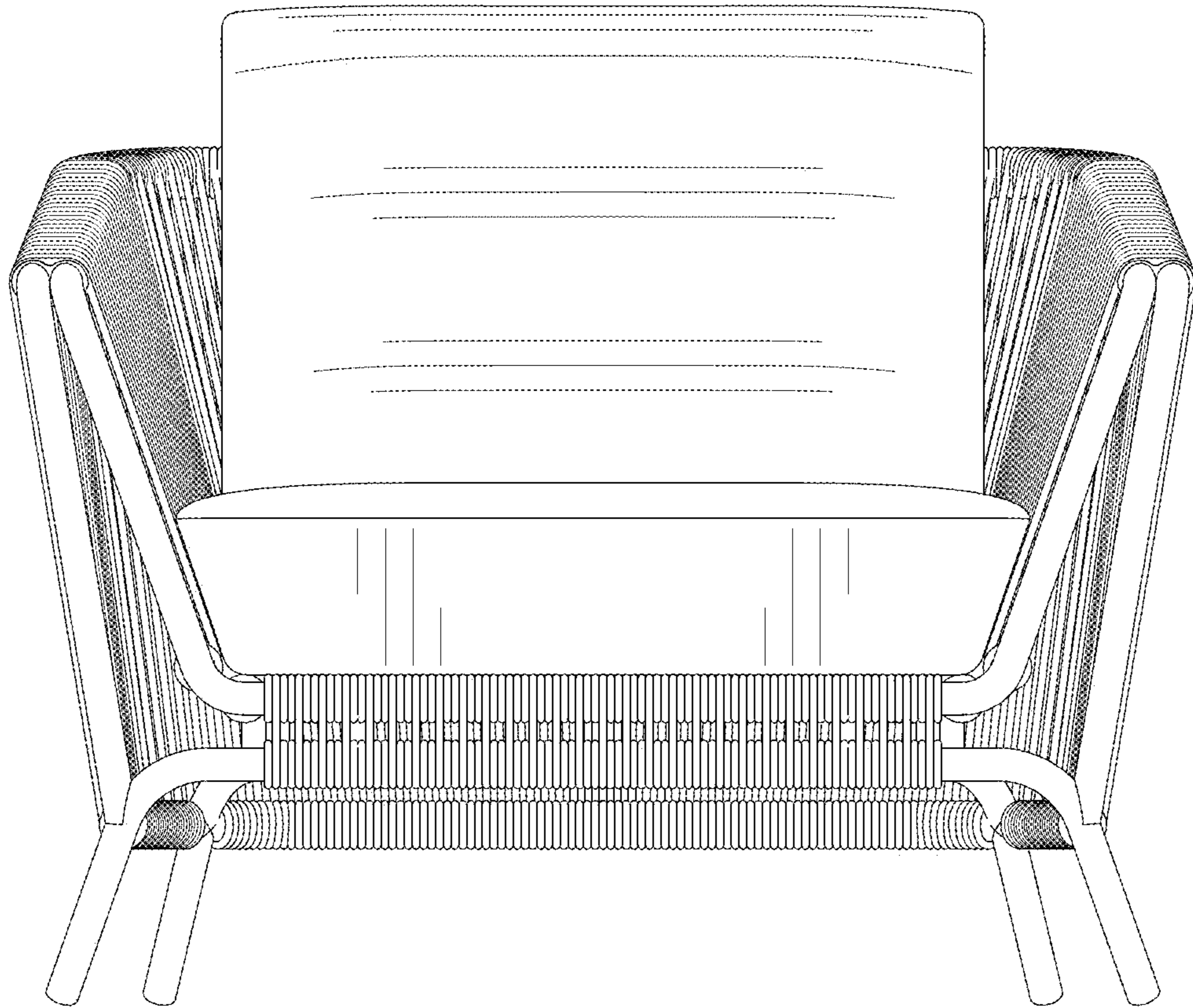


FIG. 3

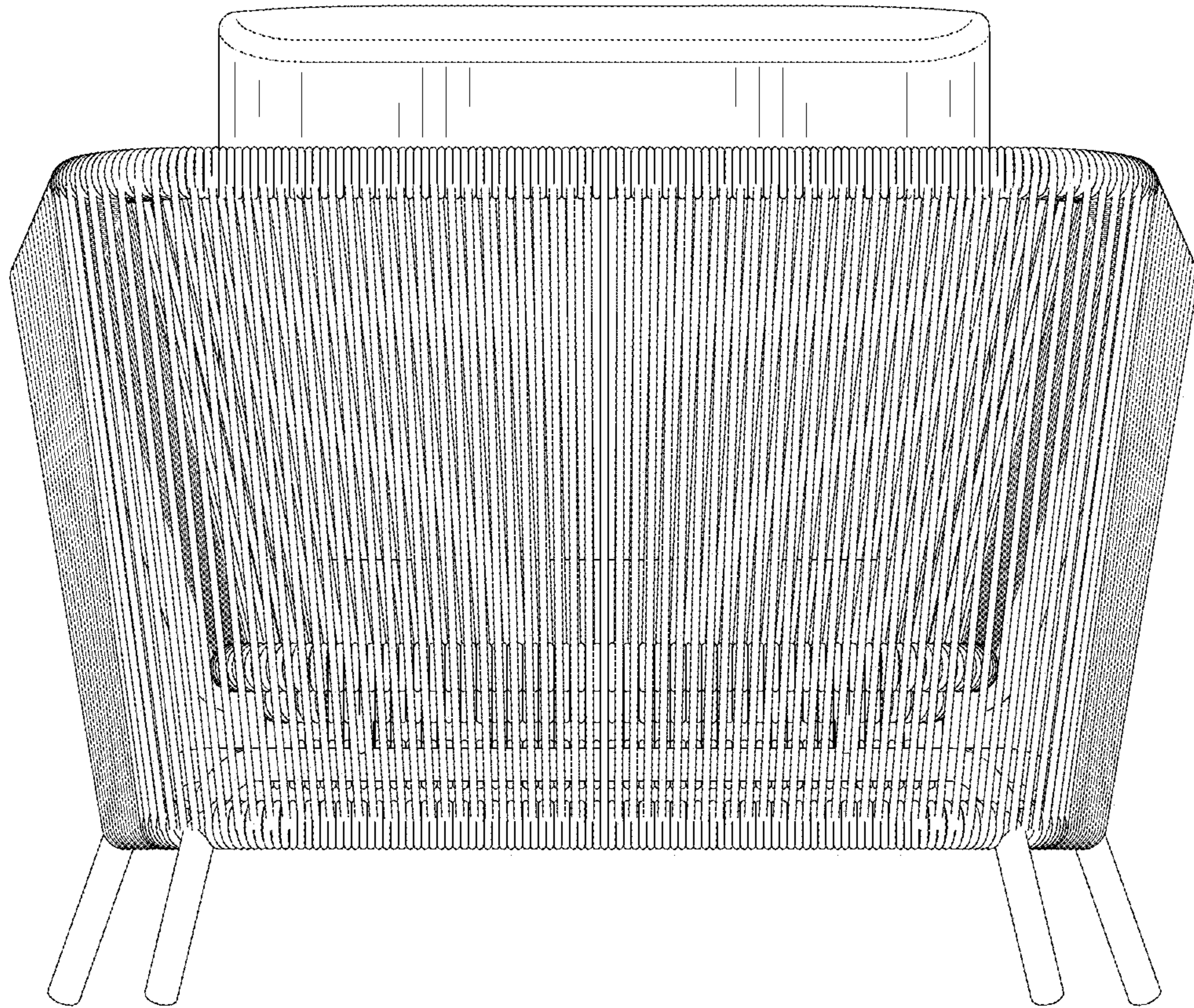


FIG. 4

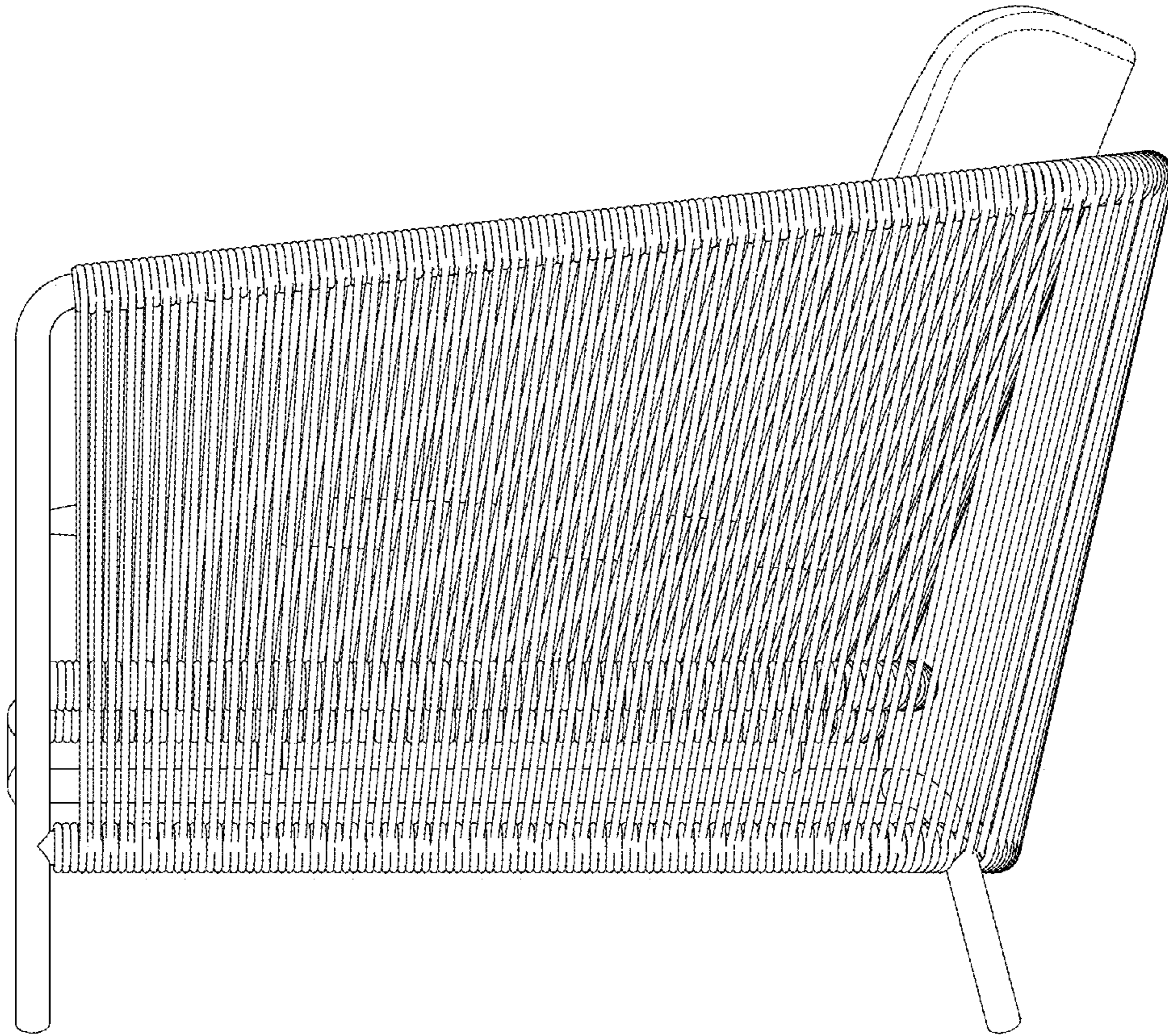


FIG. 5

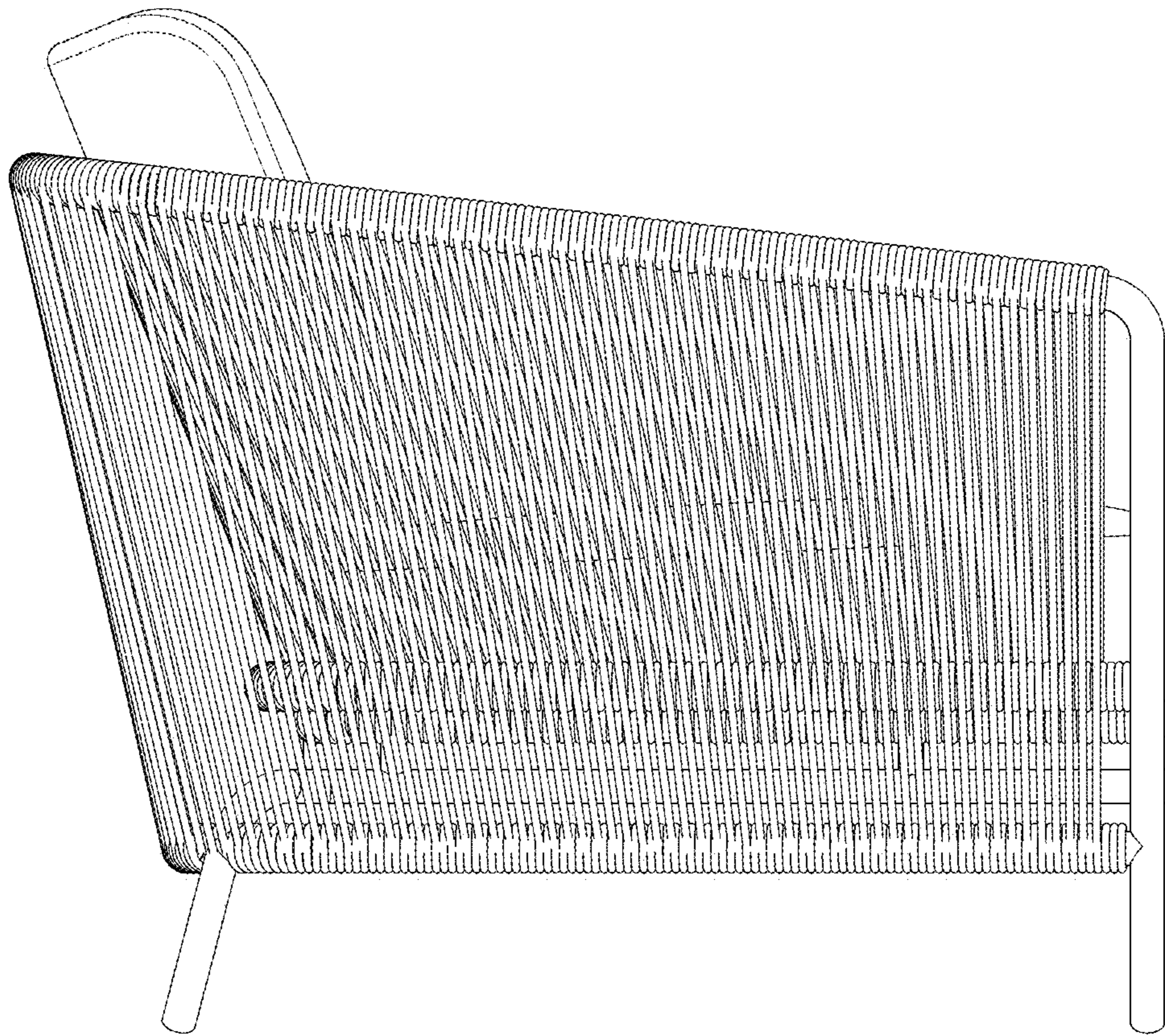


FIG. 6

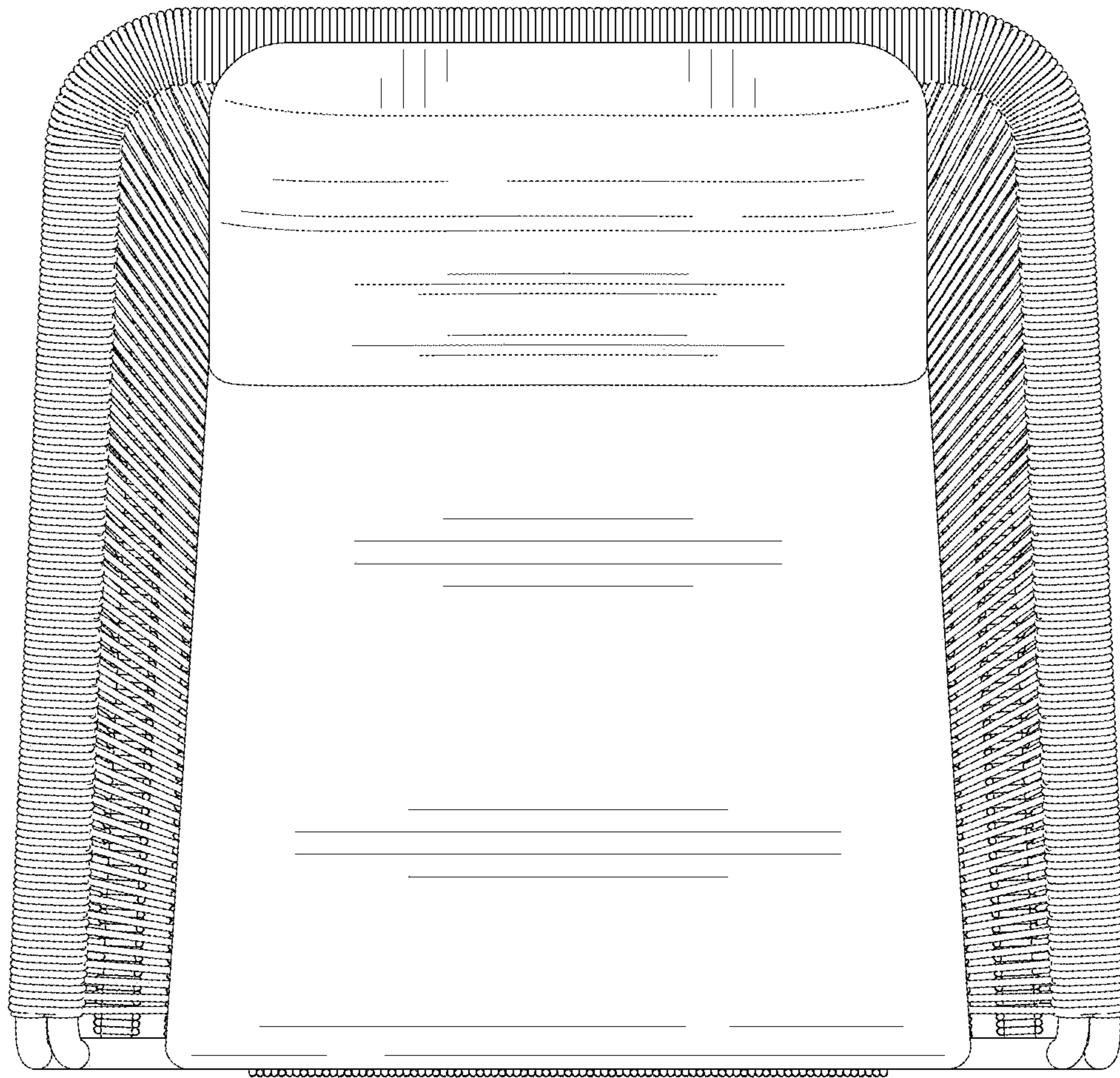


FIG. 7

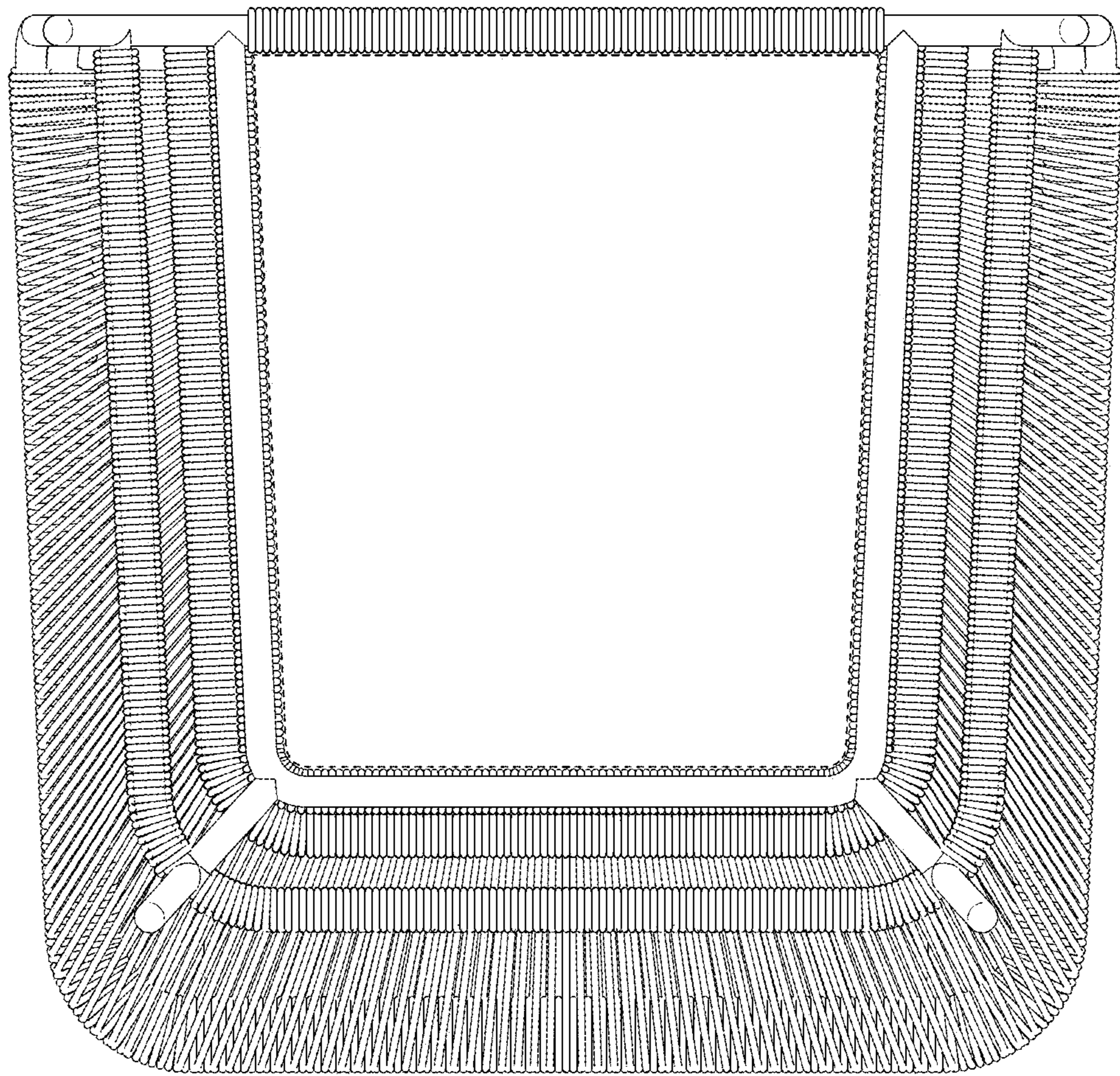


FIG. 8

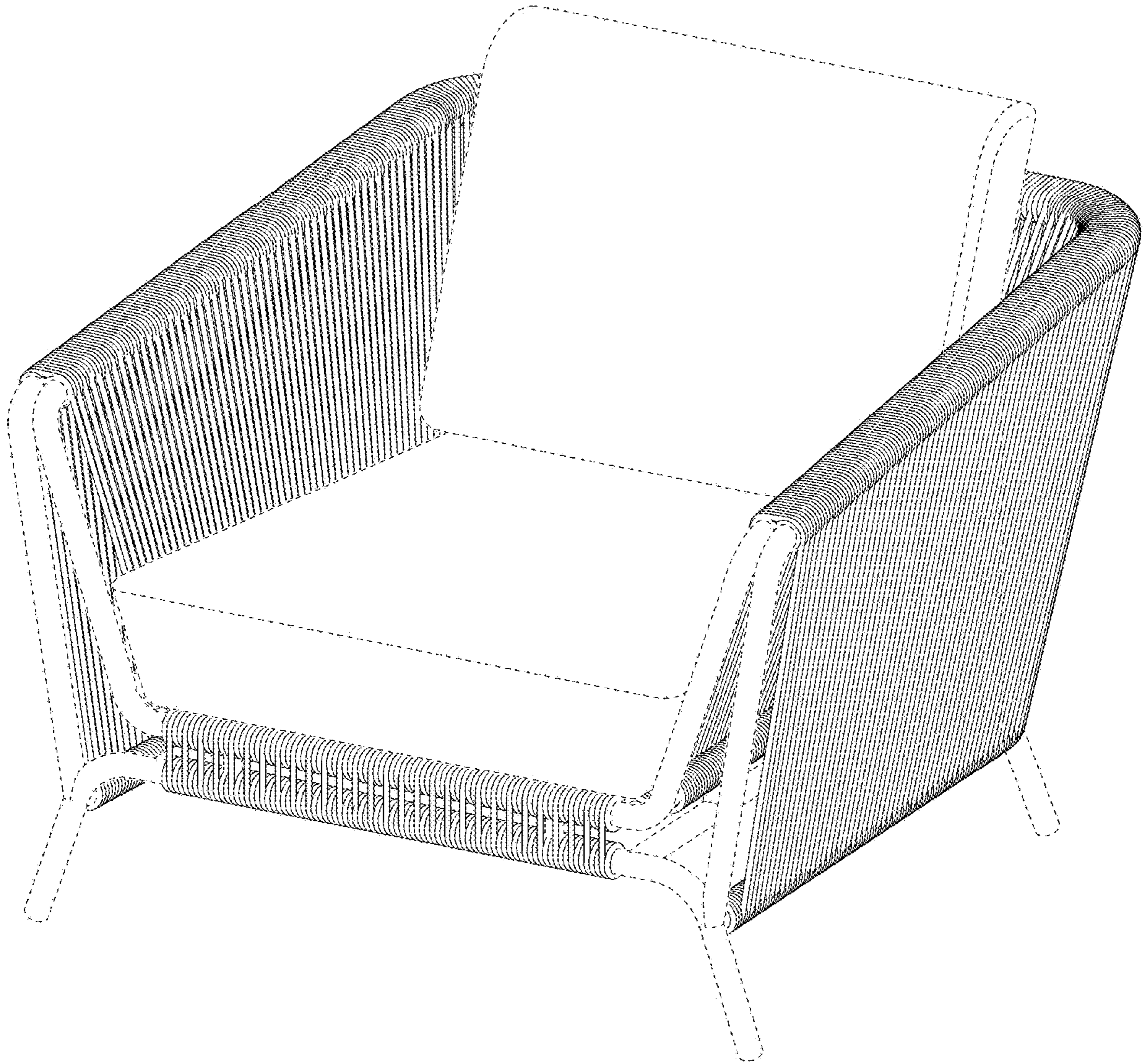


FIG. 9

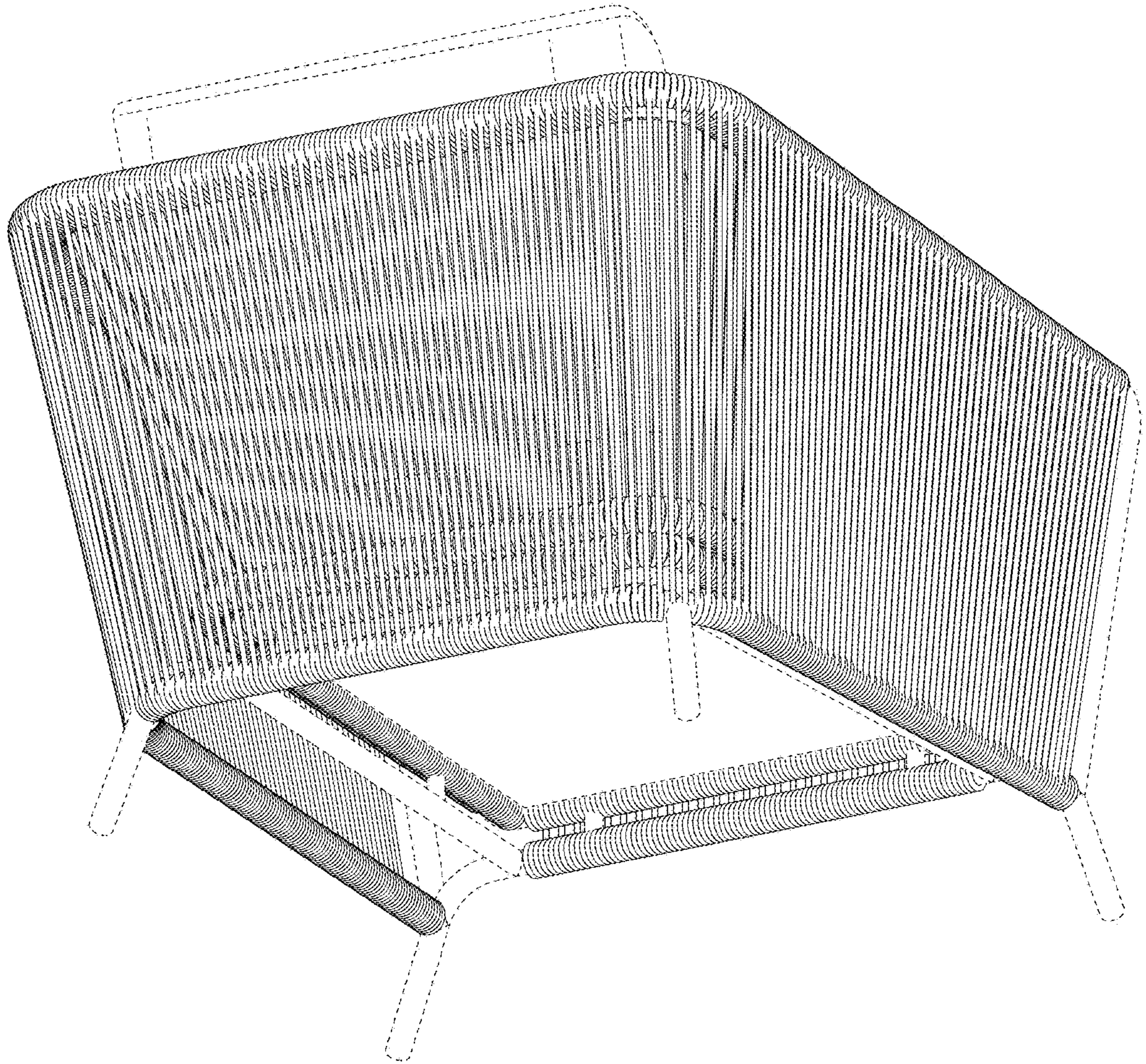


FIG. 10

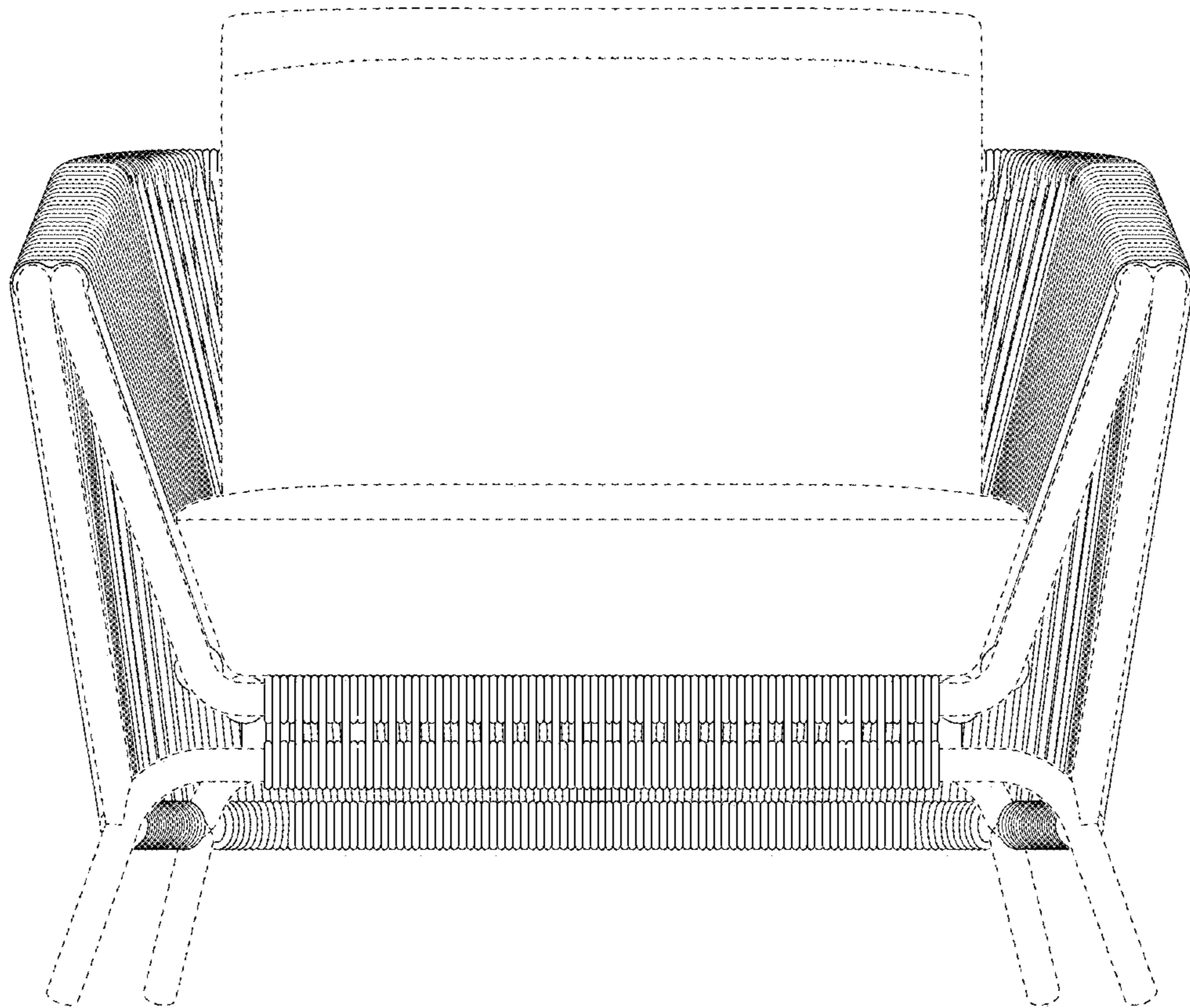


FIG. 11

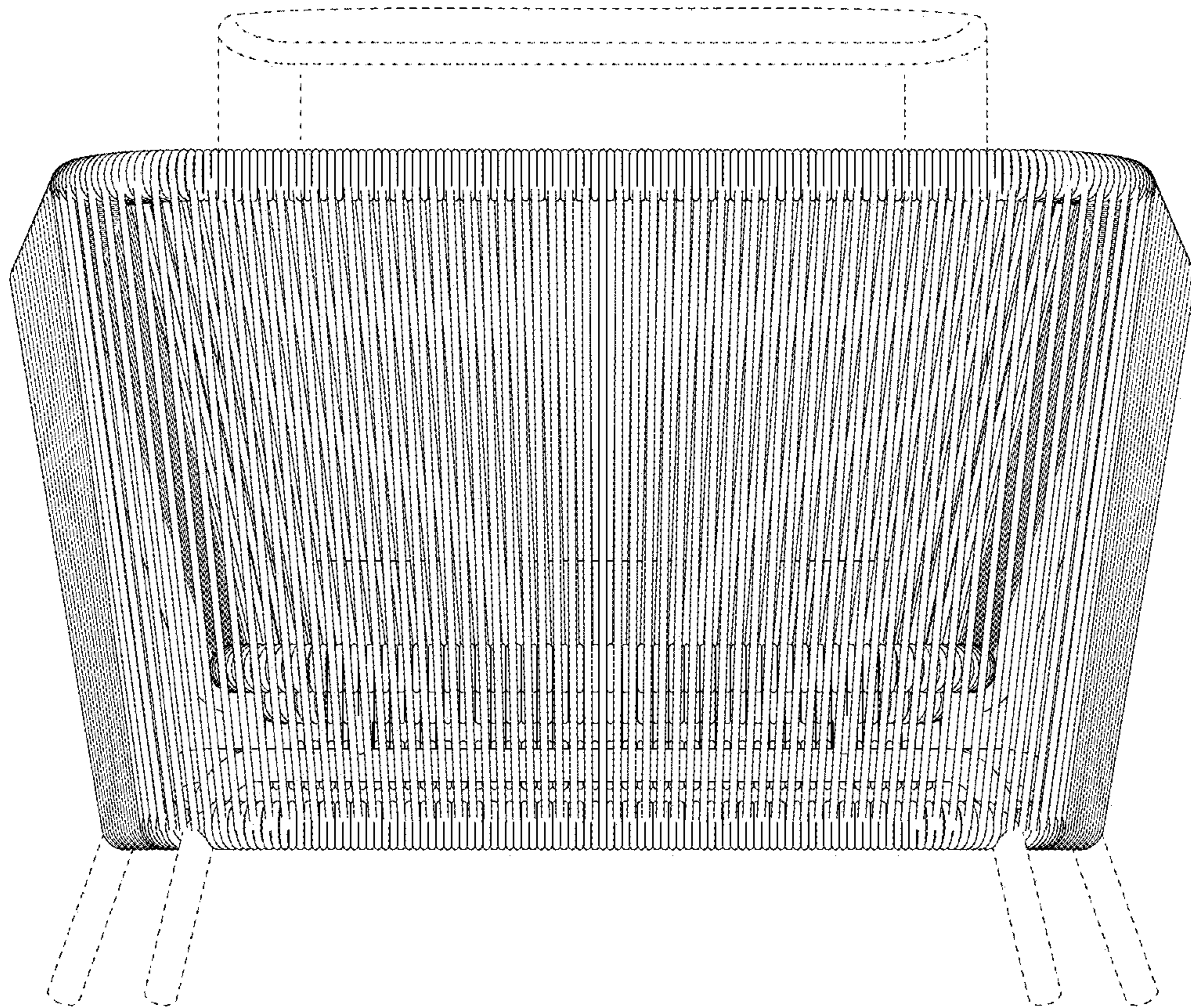


FIG. 12

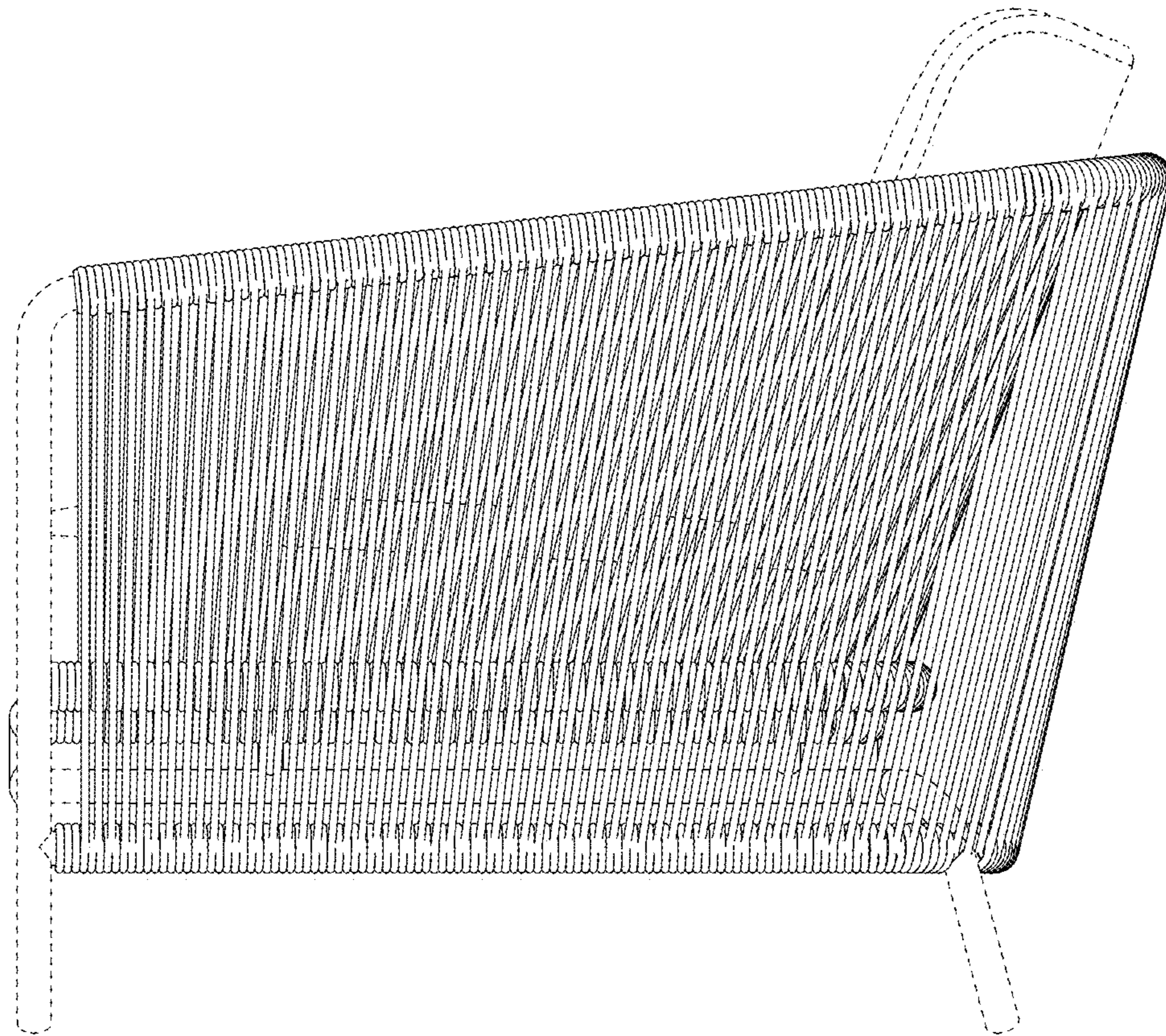


FIG. 13

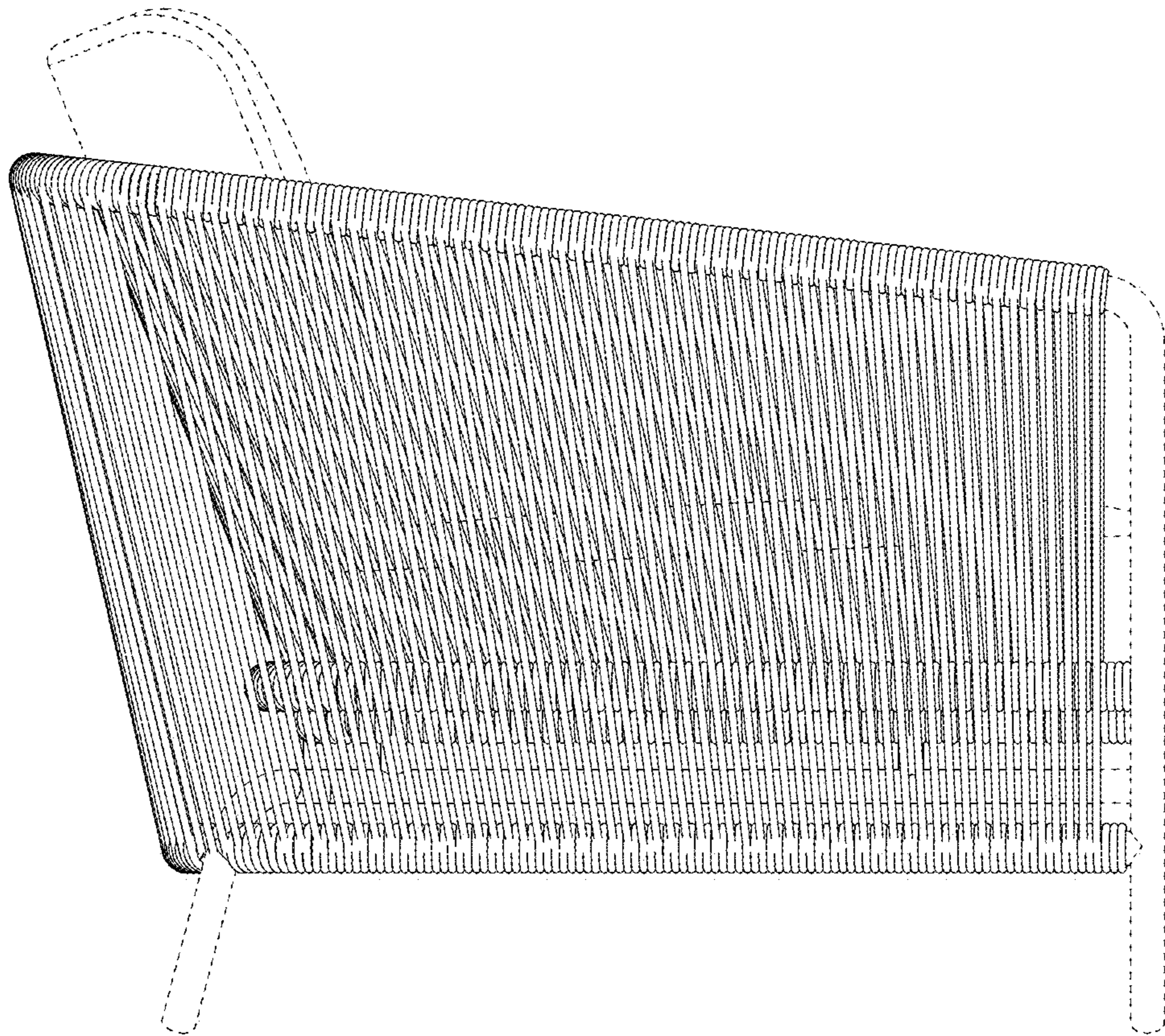


FIG. 14

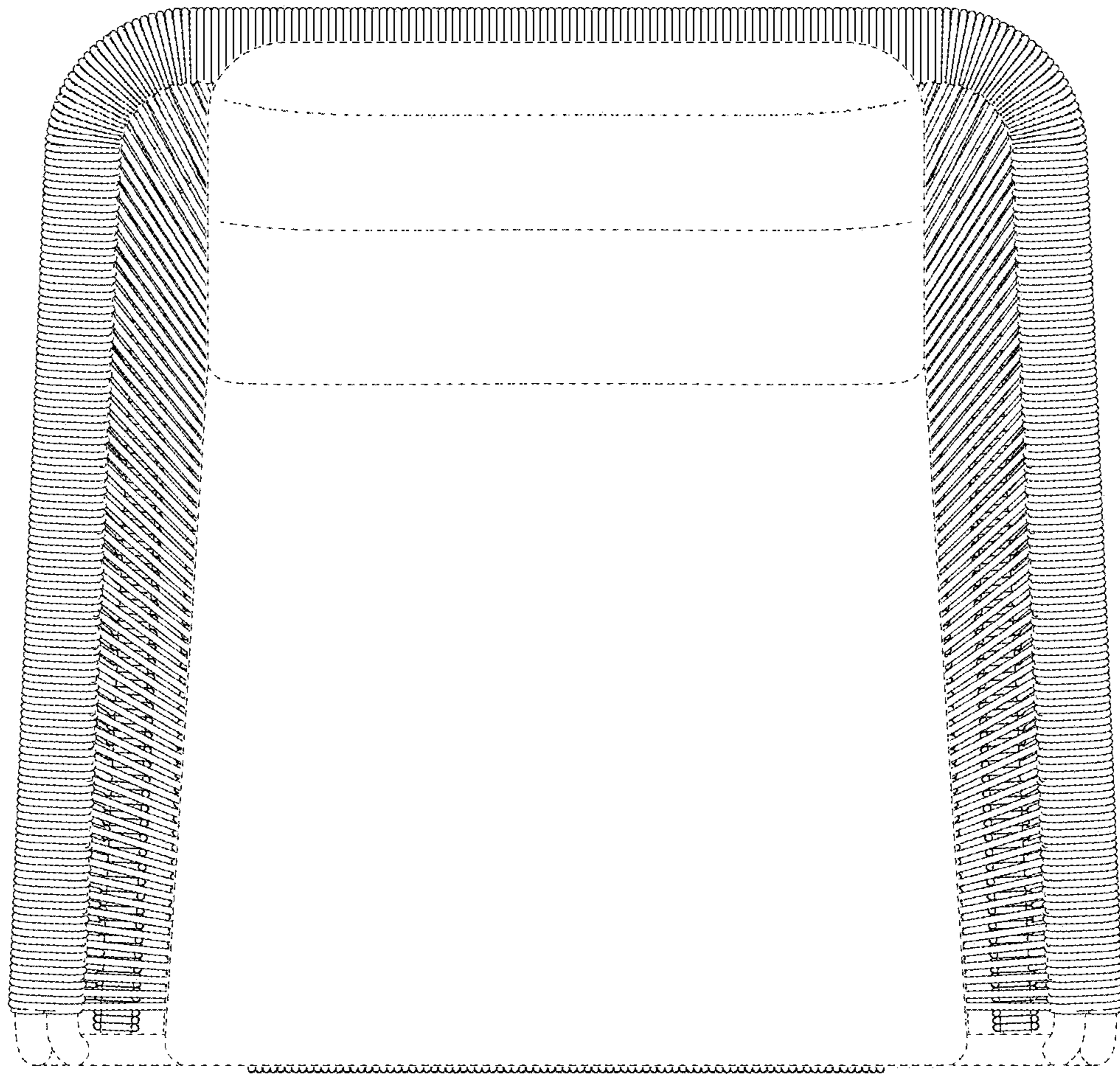


FIG. 15

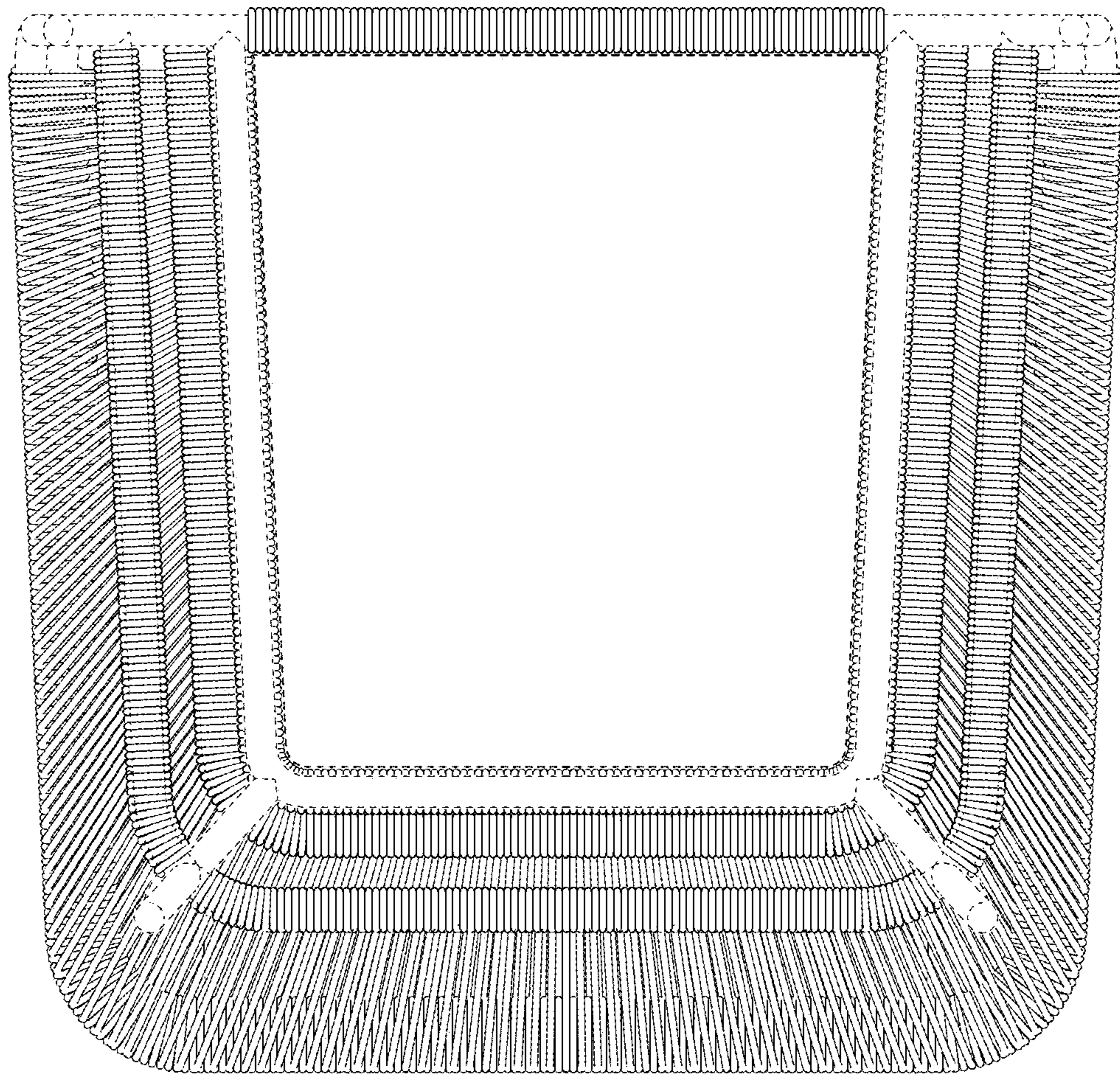


FIG. 16