



US00D919993S

(12) **United States Design Patent**
Li

(10) **Patent No.:** **US D919,993 S**

(45) **Date of Patent:** **** May 25, 2021**

(54) **CHAIR**

(71) Applicant: **39F USA INC**, Rancho Cucamonga, CA (US)

(72) Inventor: **Yuehai Li**, Rancho Cucamonga, CA (US)

(**) Term: **15 Years**

(21) Appl. No.: **29/727,120**

(22) Filed: **Mar. 9, 2020**

(51) **LOC (13) Cl.** **06-01**

(52) **U.S. Cl.**
USPC **D6/366**

(58) **Field of Classification Search**
USPC D6/334, 364, 365, 366, 367, 369, 375, D6/379, 380

CPC A47C 3/00; A47C 3/18; A47C 3/20; A47C 3/026; A47C 1/00; A47C 1/02; A47C 1/022; A47C 1/037; A47C 7/24; A47C 7/36; A47C 7/46

See application file for complete search history.

(56) **References Cited**

U.S. PATENT DOCUMENTS

D664,381 S * 7/2012 Kubryk D6/716
D683,171 S * 5/2013 Kubryk D6/716

D730,097 S * 5/2015 Kubryk D6/716
D730,100 S * 5/2015 Kubryk D6/716
D766,640 S * 9/2016 Kubryk D6/716
D817,056 S * 5/2018 Neil D6/716
D825,216 S * 8/2018 Schaeffer D6/375
D875,417 S * 2/2020 Fukasawa D6/380
D879,496 S * 3/2020 Velez D6/380
D899,799 S * 10/2020 Li D6/366
D906,708 S * 1/2021 Li D6/366
D906,709 S * 1/2021 Li D6/366
D906,712 S * 1/2021 Li D6/366

* cited by examiner

Primary Examiner — R. Johnson

(74) *Attorney, Agent, or Firm* — Feng Qian

(57) **CLAIM**

The ornamental design for a chair, as shown and described.

DESCRIPTION

FIG. 1 is a front perspective view of a chair showing my new design;

FIG. 2 is a front elevation view thereof;

FIG. 3 is a rear elevation view thereof;

FIG. 4 is a left-side elevation view thereof;

FIG. 5 is a right-side elevation view thereof;

FIG. 6 is a top plan view thereof; and,

FIG. 7 is a bottom plan view thereof.

1 Claim, 7 Drawing Sheets

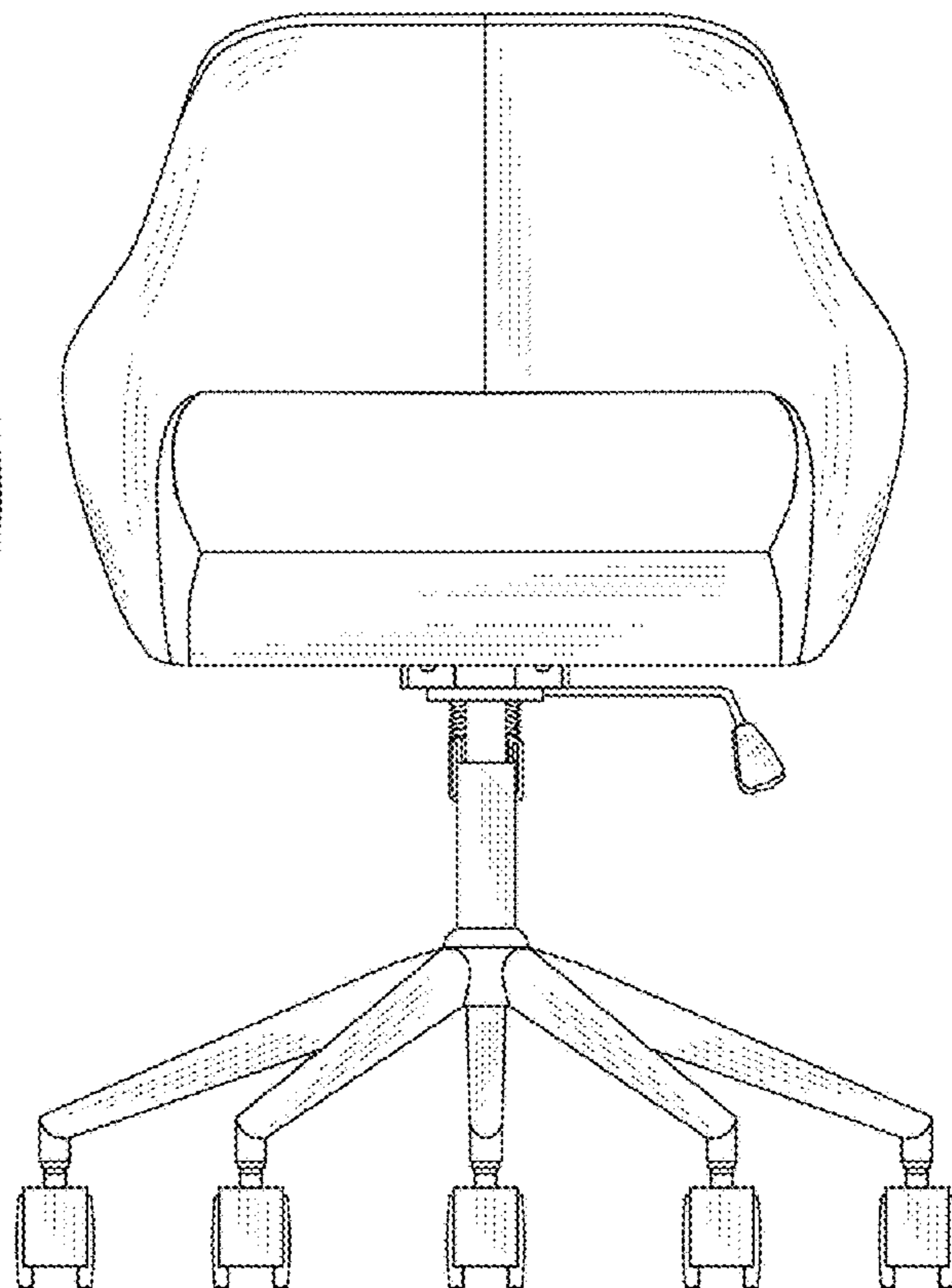
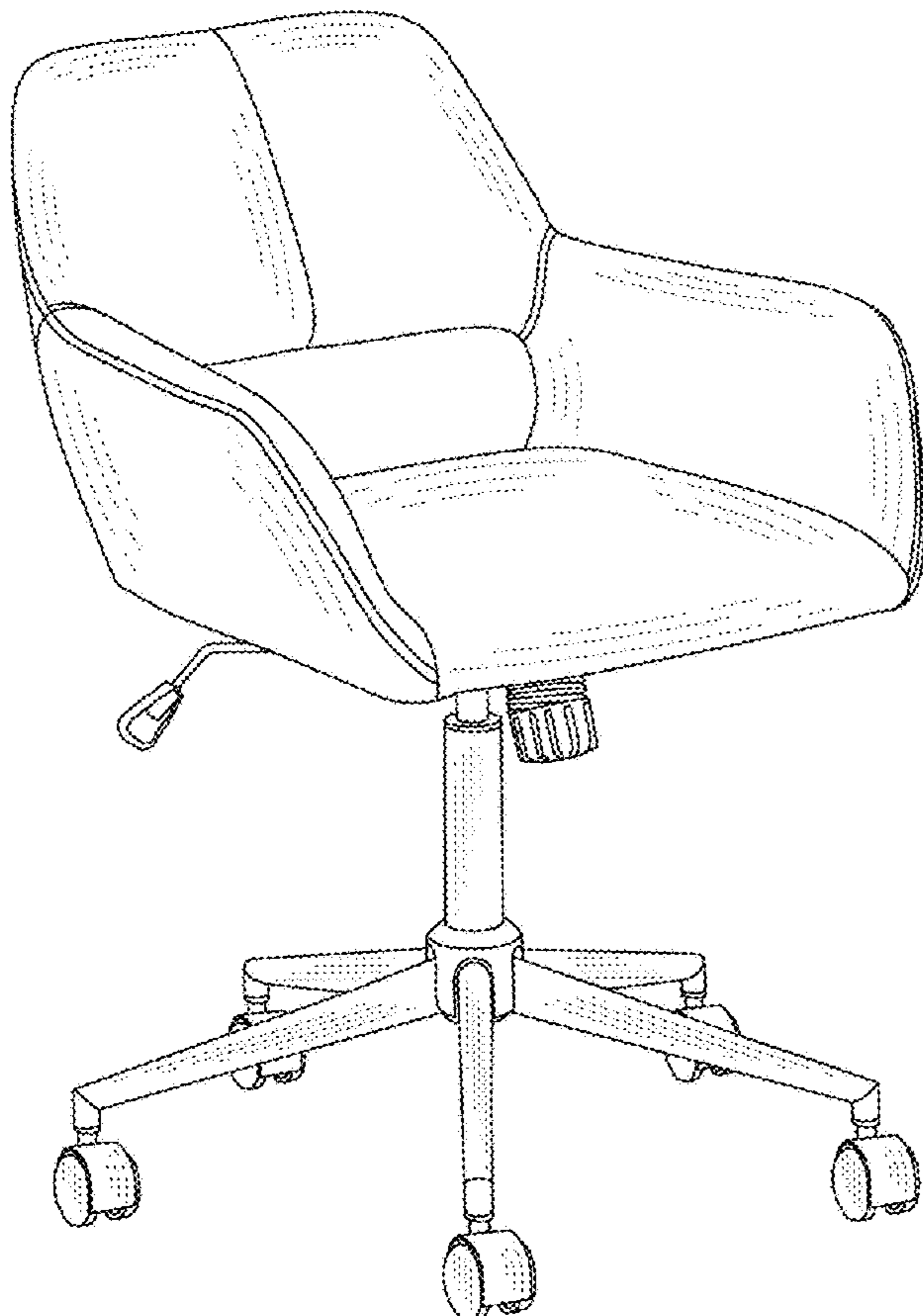




Fig.1

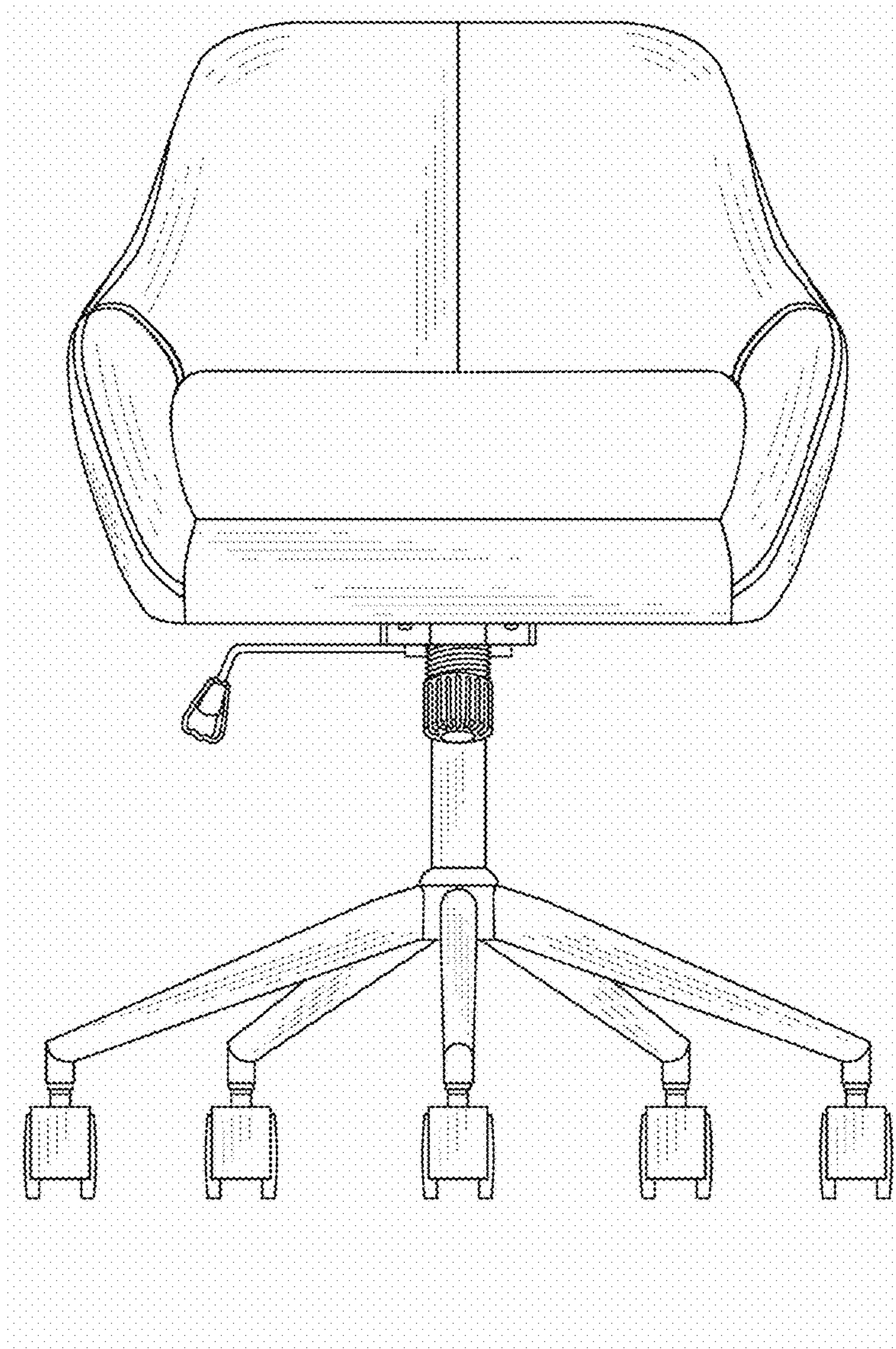


Fig.2

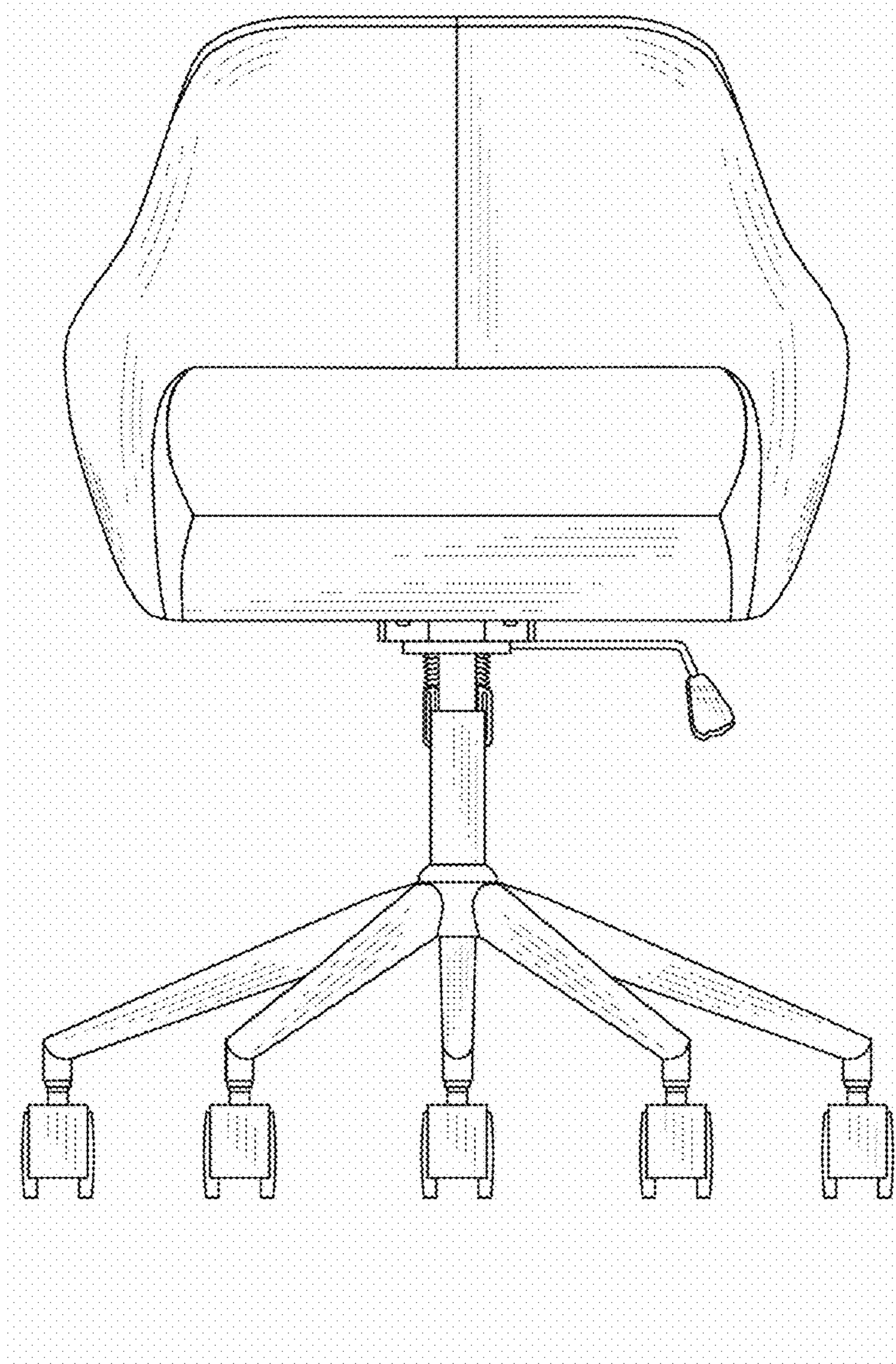


Fig.3

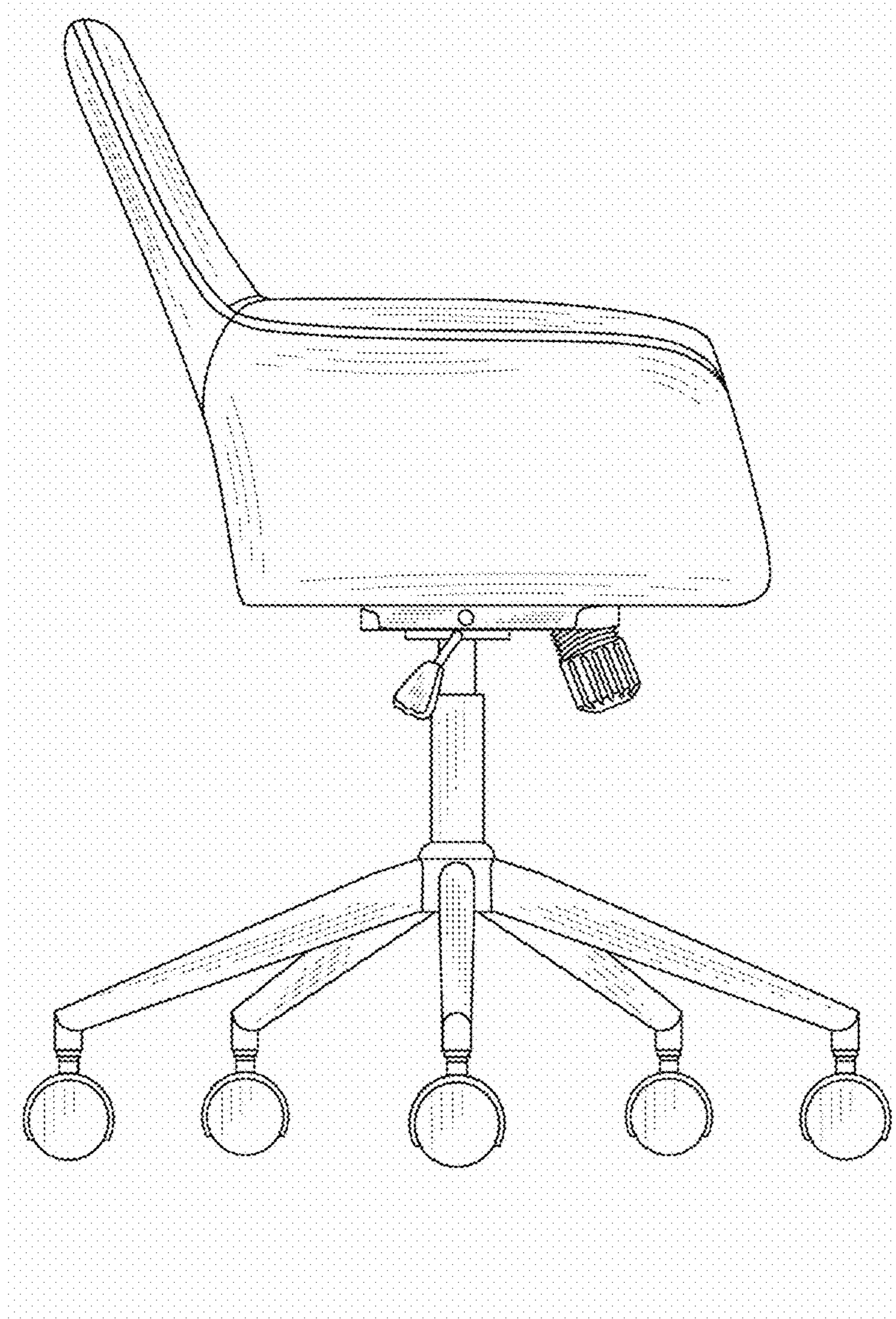


Fig.4

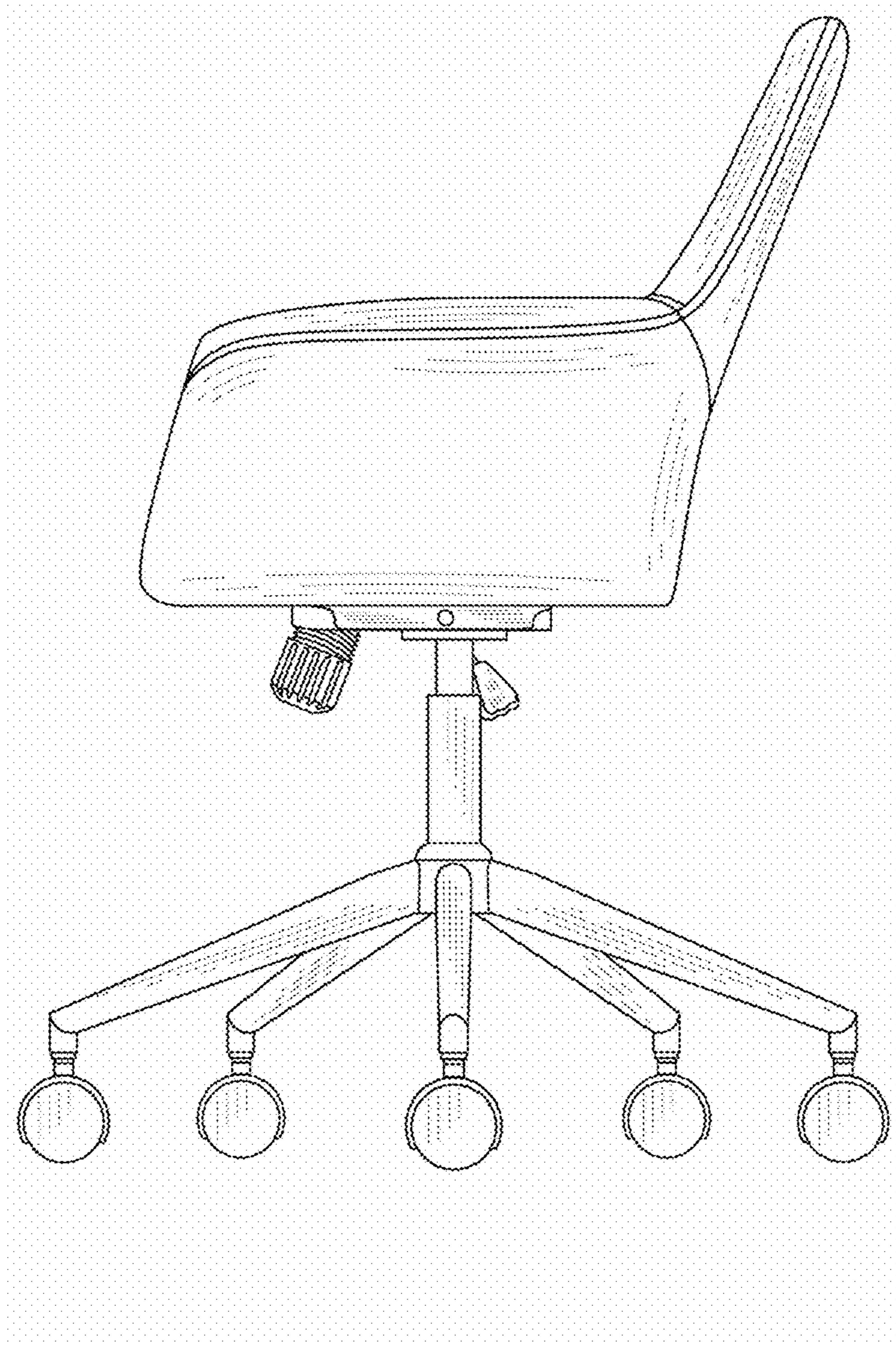


Fig.5

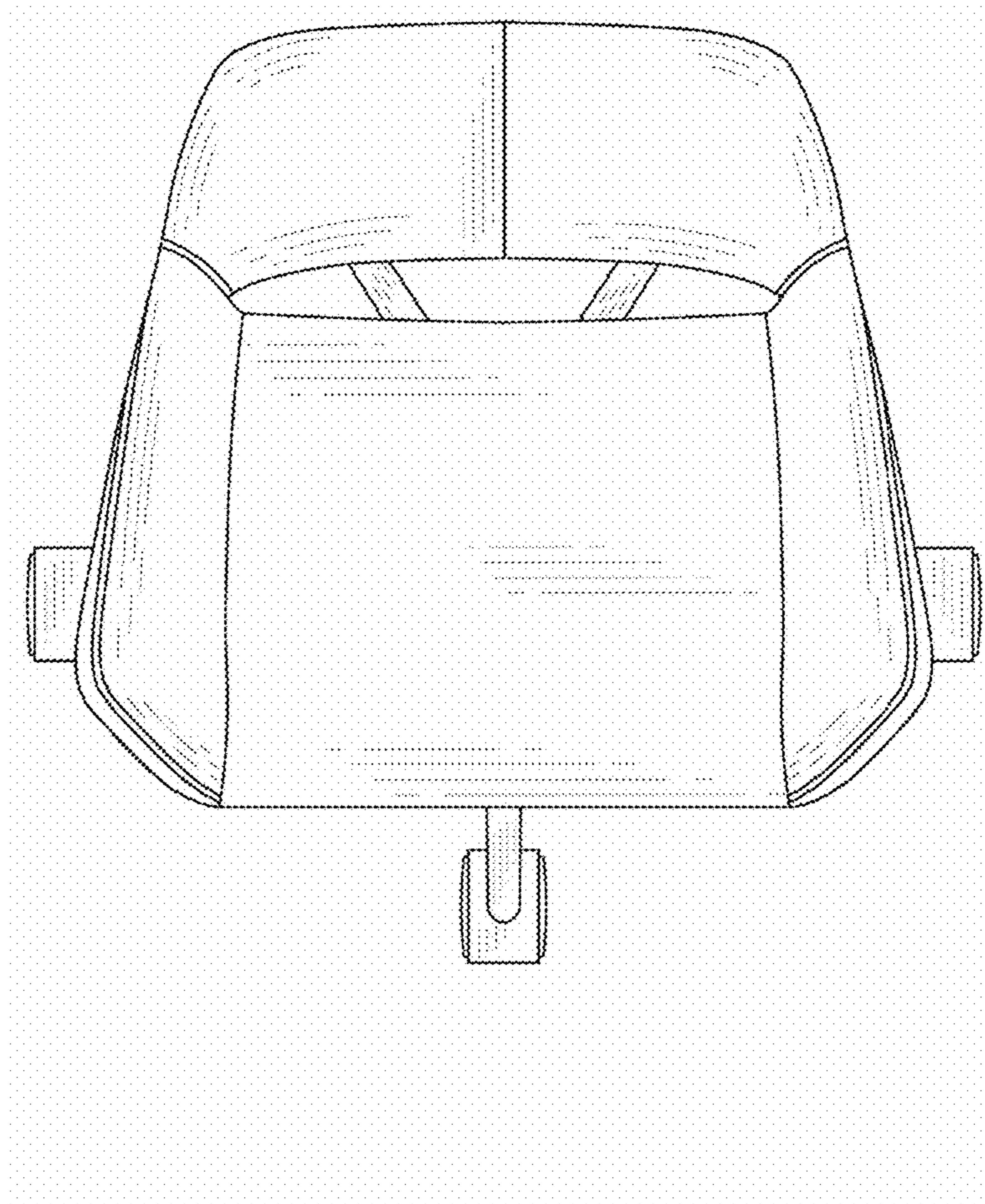


Fig.6

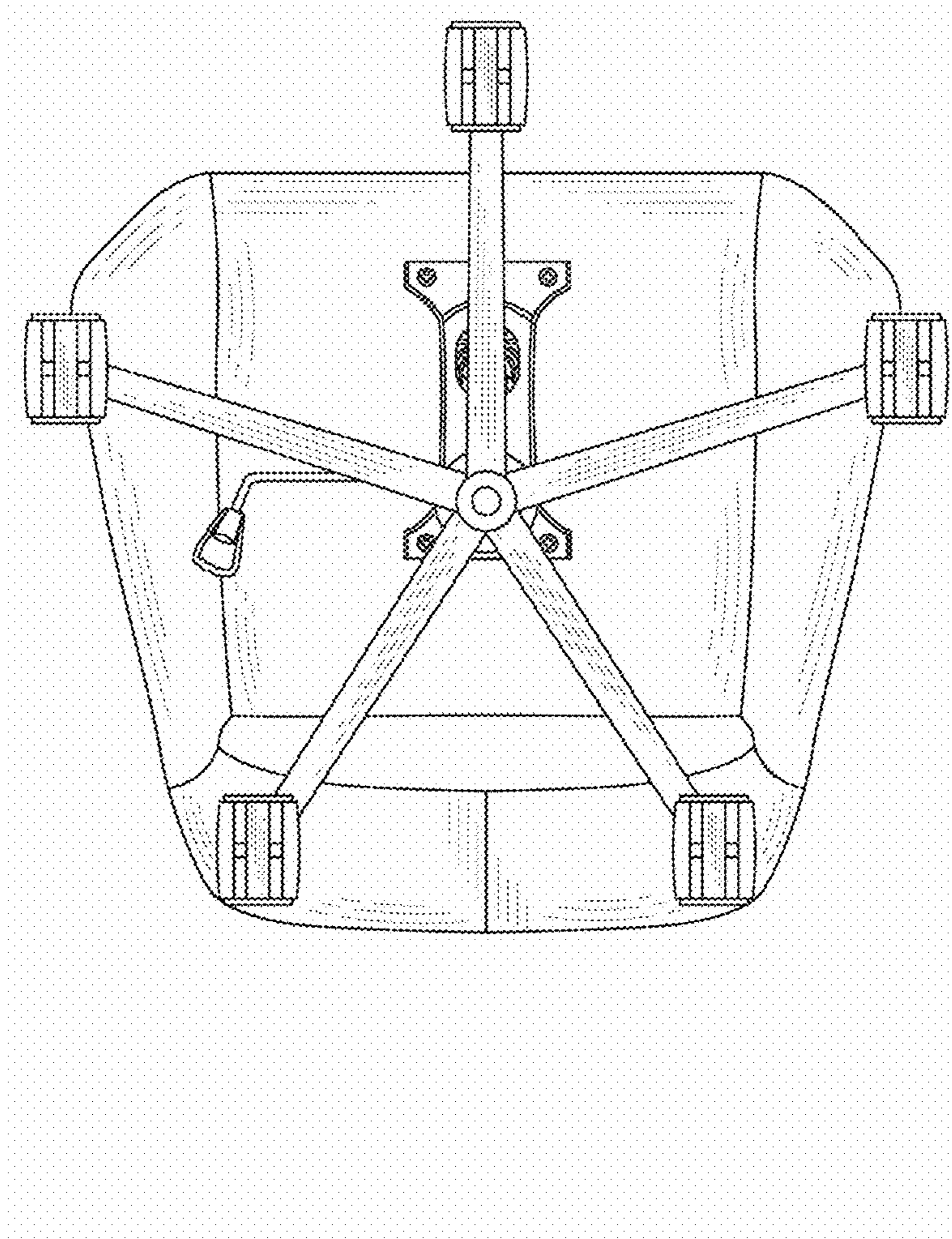


Fig.7