



US00D919992S

(12) **United States Design Patent**
Li

(10) **Patent No.:** **US D919,992 S**

(45) **Date of Patent:** **** May 25, 2021**

(54) **CHAIR**

(71) Applicant: **39F USA INC**, Rancho Cucamonga, CA (US)

(72) Inventor: **Yuehai Li**, Rancho Cucamonga, CA (US)

(**) Term: **15 Years**

(21) Appl. No.: **29/727,034**

(22) Filed: **Mar. 8, 2020**

(51) **LOC (13) Cl.** **06-01**

(52) **U.S. Cl.**
USPC **D6/366**

(58) **Field of Classification Search**
USPC D6/334, 364, 365, 366, 367, 369, 375, D6/379, 380
CPC A47C 3/00; A47C 3/18; A47C 3/20; A47C 3/026; A47C 1/00; A47C 1/02; A47C 1/022; A47C 1/037; A47C 7/24; A47C 7/36; A47C 7/46

See application file for complete search history.

(56) **References Cited**

U.S. PATENT DOCUMENTS

4,057,288 A * 11/1977 Schwartz A47C 3/04
297/239
D270,309 S * 8/1983 Ochsner D6/366

D291,265 S * 8/1987 Heggdal D6/365
D358,948 S * 6/1995 Klein D6/379
D371,265 S * 7/1996 McDiarmid D6/366
D495,907 S * 9/2004 True D6/366
D569,640 S * 5/2008 Robson D6/370
D683,170 S * 5/2013 Kubryk D6/716
D698,191 S * 1/2014 Kubryk D6/716
D729,562 S * 5/2015 Kubryk D6/716
D730,669 S * 6/2015 Kubryk D6/716
D766,640 S * 9/2016 Kubryk D6/716
D808,669 S * 1/2018 Li D6/334

* cited by examiner

Primary Examiner — R. Johnson

(74) *Attorney, Agent, or Firm* — Feng Qian

(57) **CLAIM**

The ornamental design for a chair, as shown and described.

DESCRIPTION

FIG. 1 is a front perspective view of a chair showing my new design;
FIG. 2 is a front elevation view thereof;
FIG. 3 is a rear elevation view thereof;
FIG. 4 is a left-side elevation view thereof;
FIG. 5 is a right-side elevation view thereof;
FIG. 6 is a top plan view thereof; and,
FIG. 7 is a bottom plan view thereof.

1 Claim, 7 Drawing Sheets

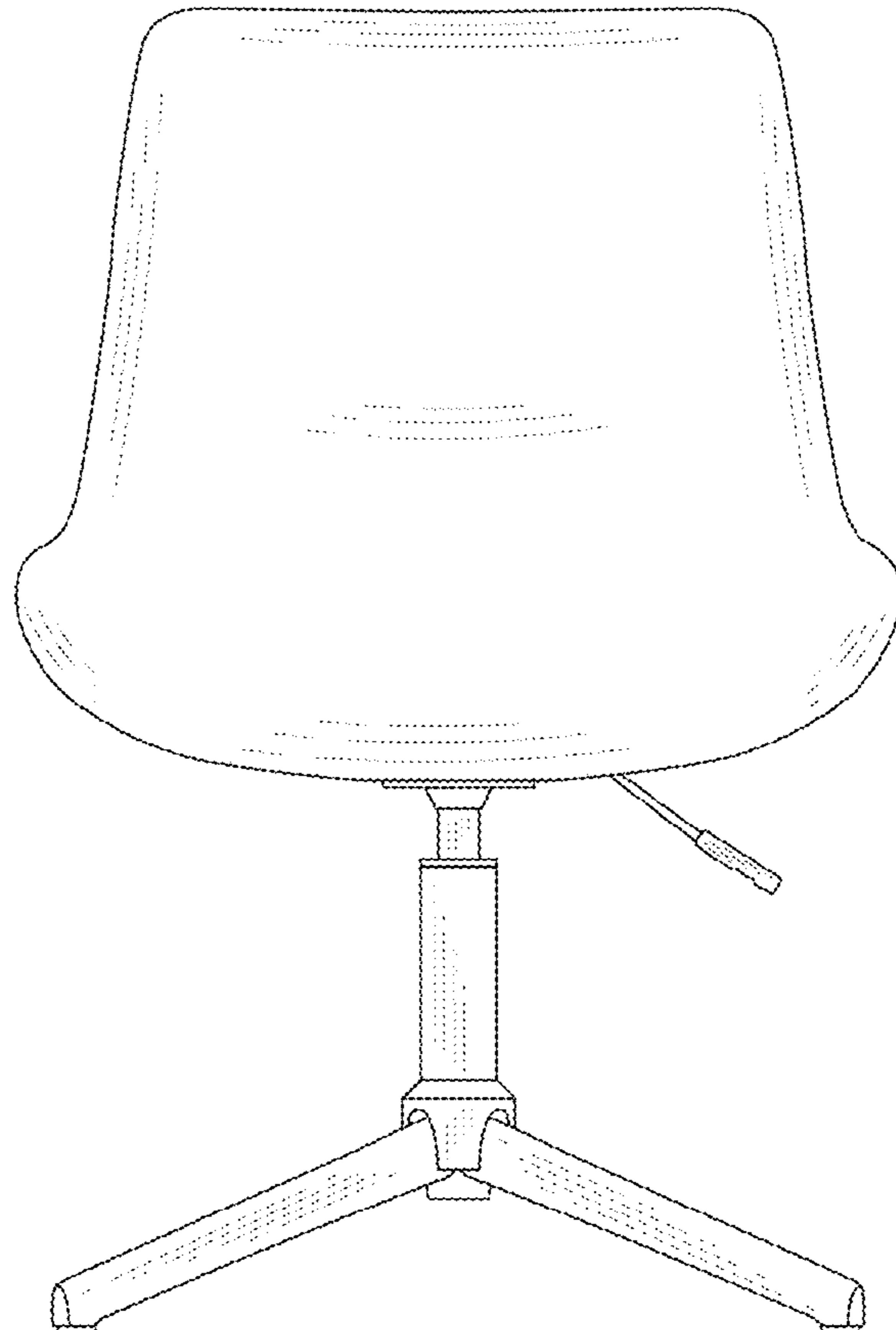
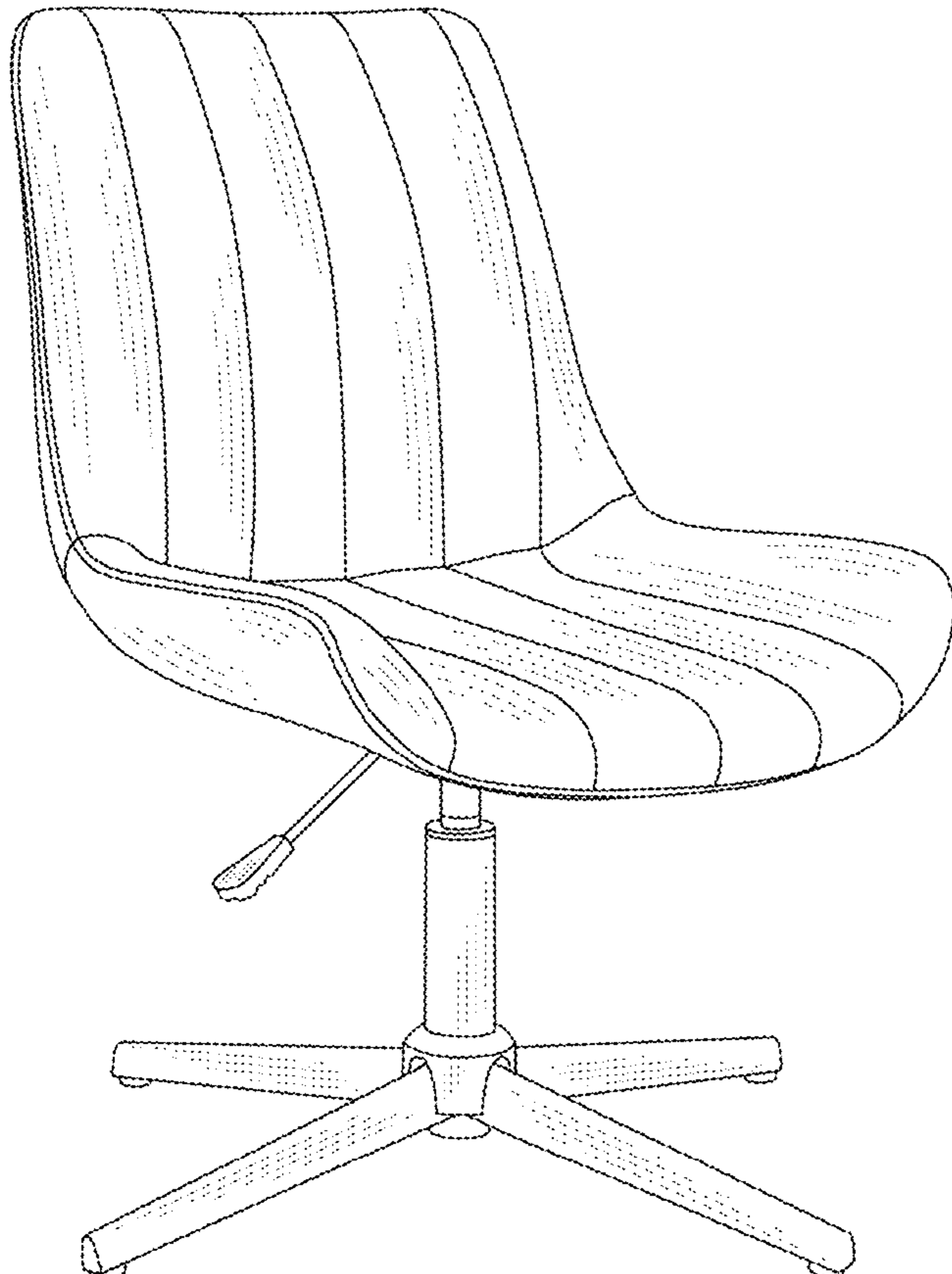




Fig.1

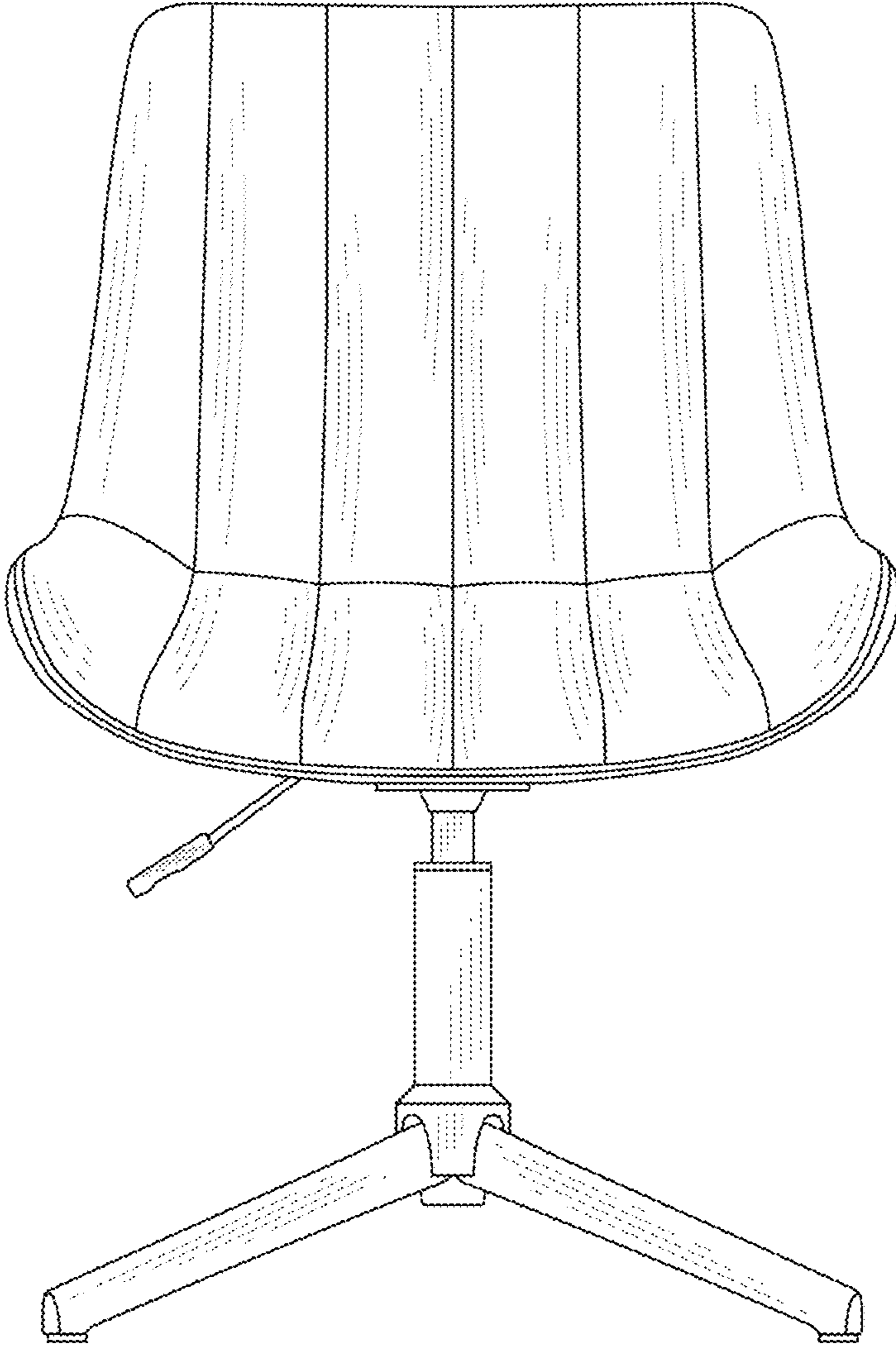


Fig.2

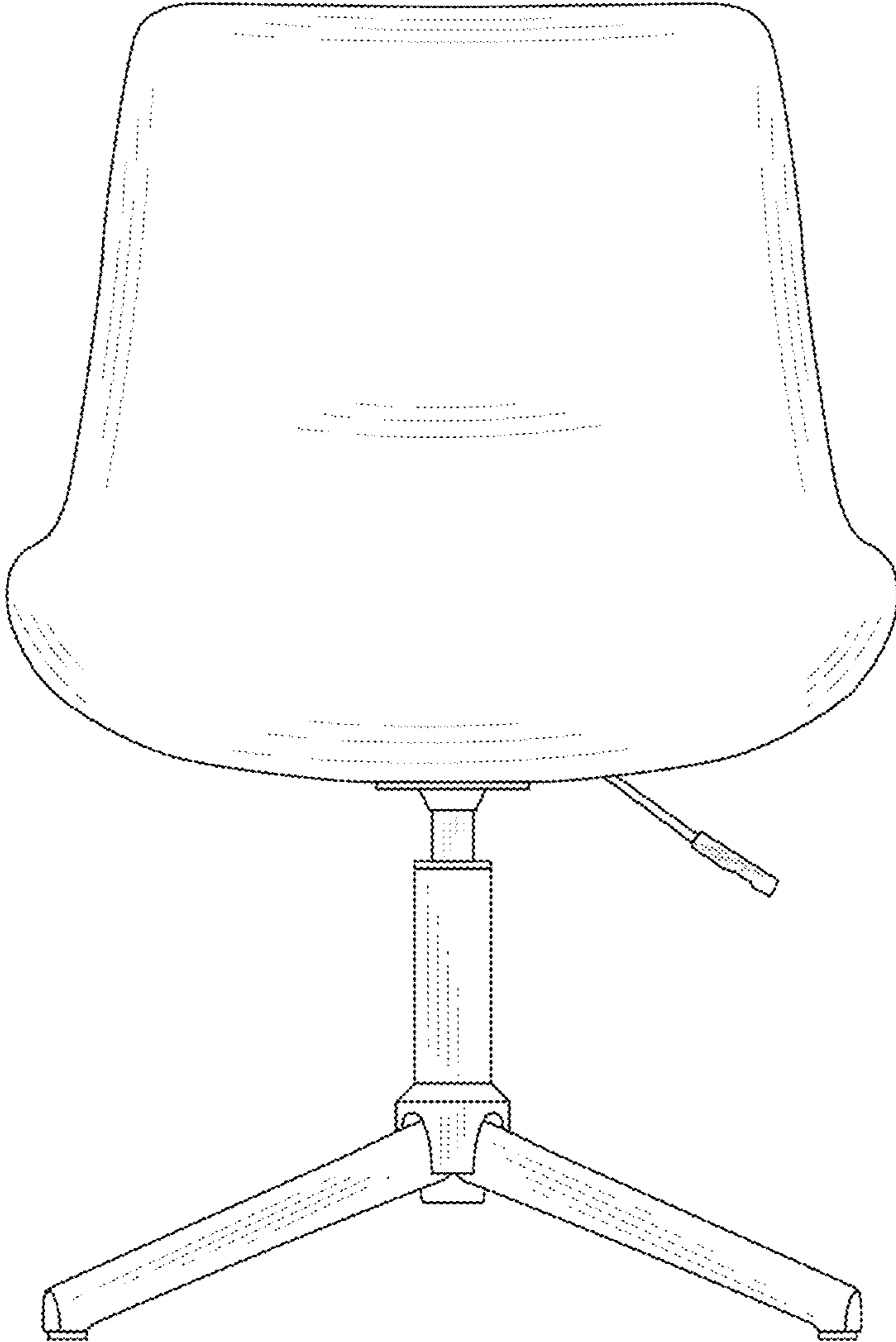


Fig.3

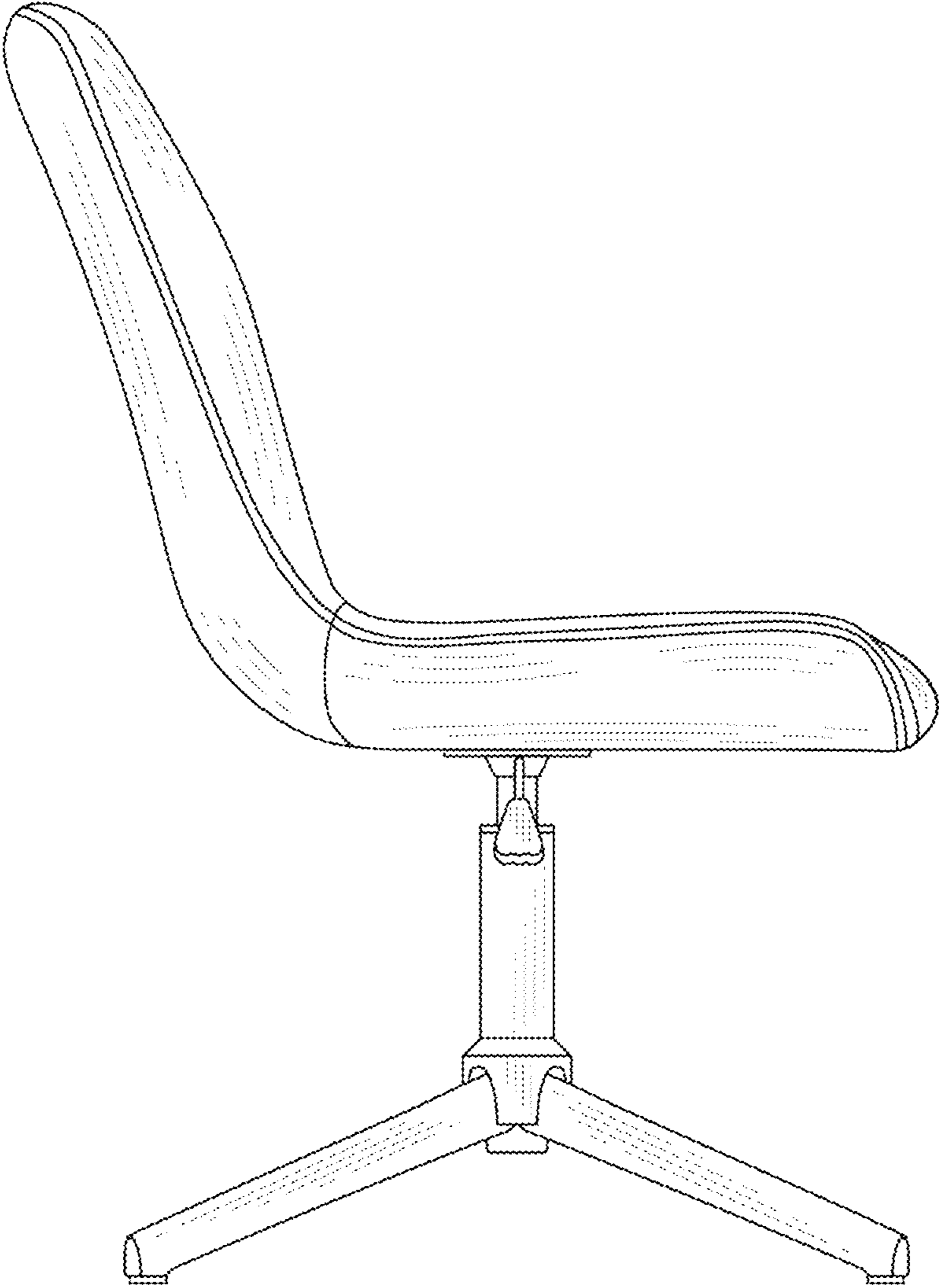


Fig.4

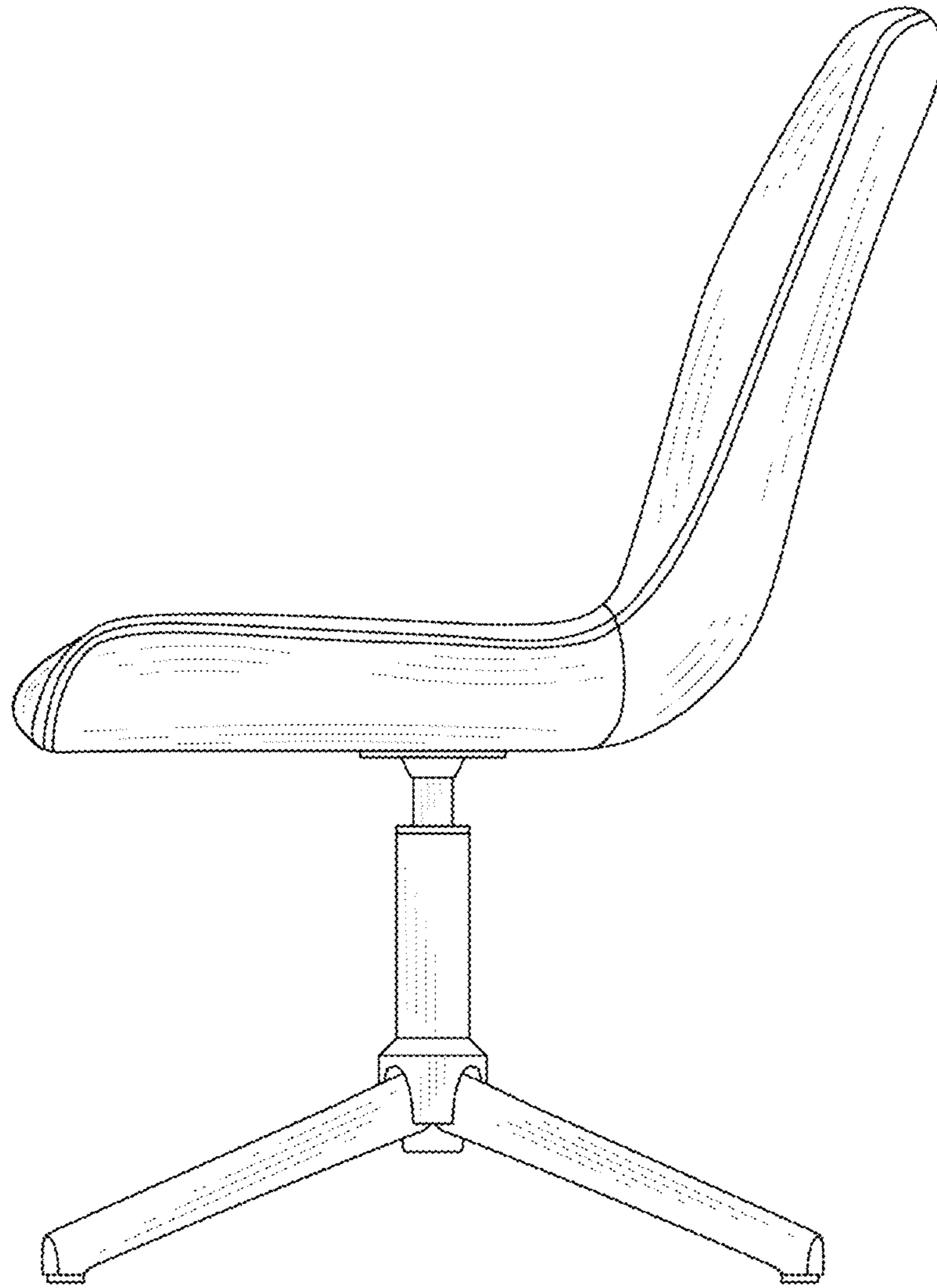


Fig.5

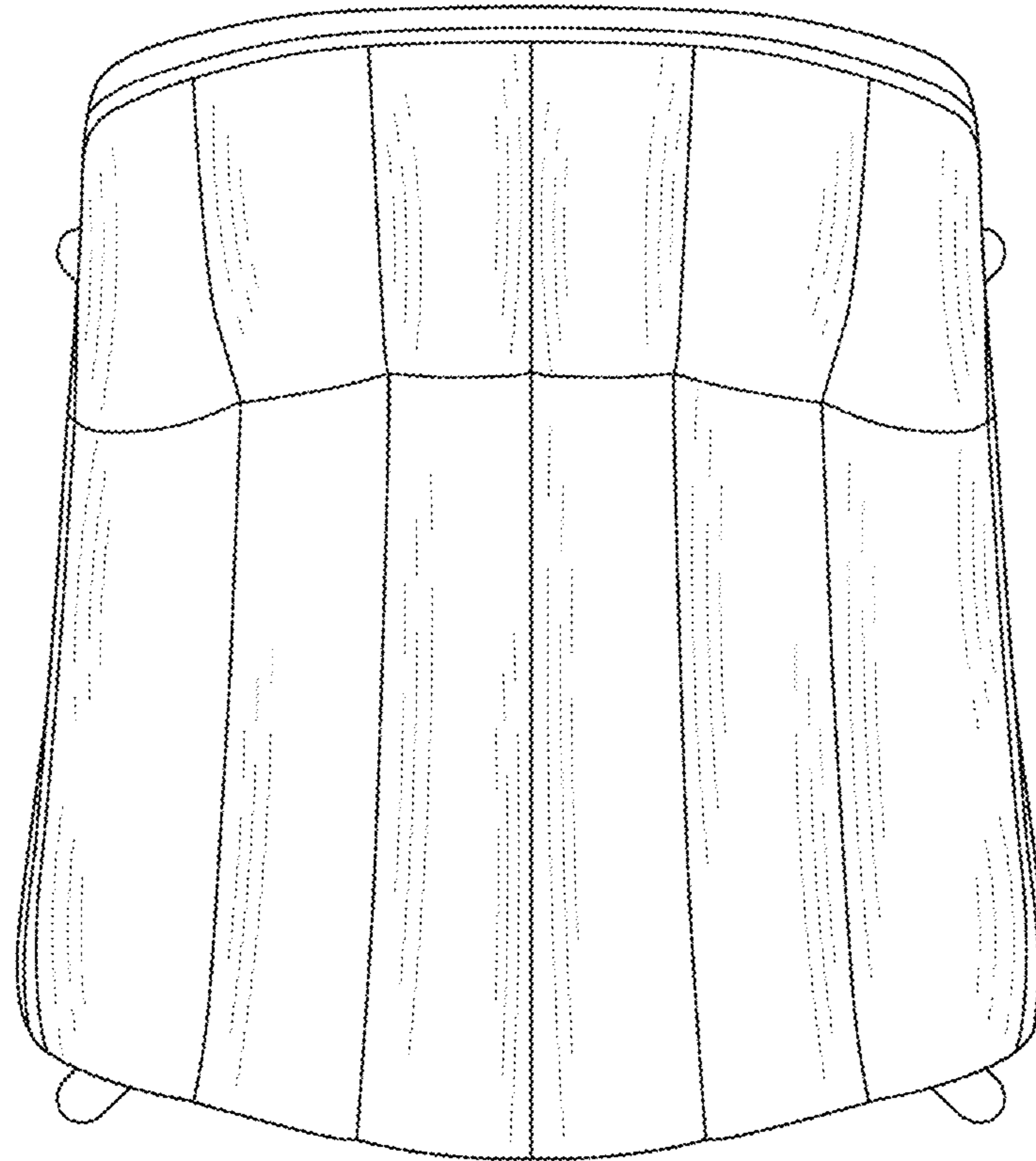


Fig.6

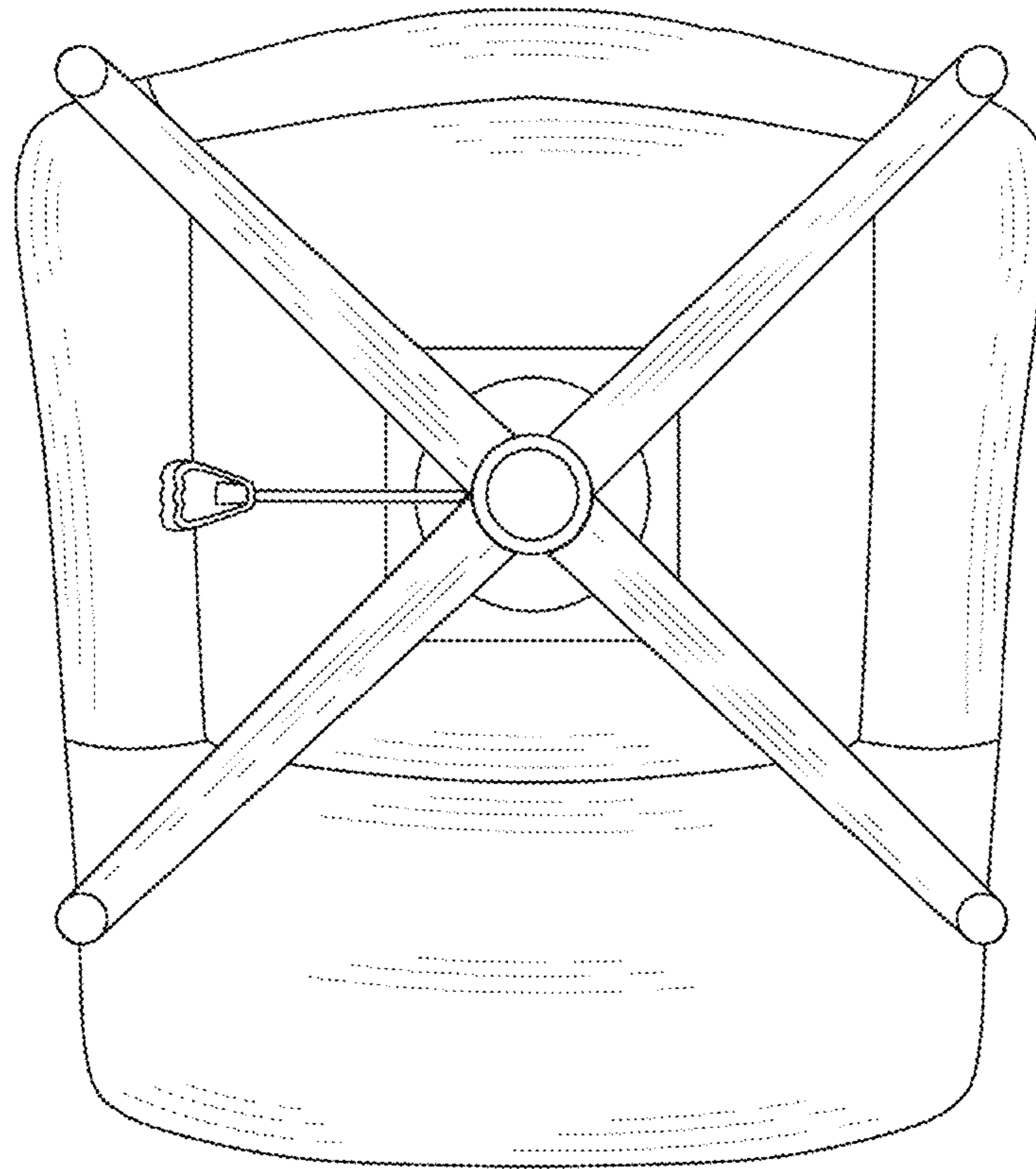


Fig.7