



US00D919989S

(12) **United States Design Patent**
Li

(10) **Patent No.:** **US D919,989 S**

(45) **Date of Patent:** **** May 25, 2021**

(54) **CHAIR**

(71) Applicant: **39F USA INC**, Rancho Cucamonga, CA (US)

(72) Inventor: **Yuehai Li**, Rancho Cucamonga, CA (US)

(**) Term: **15 Years**

(21) Appl. No.: **29/715,909**

(22) Filed: **Dec. 5, 2019**

(51) **LOC (13) Cl.** **06-01**

(52) **U.S. Cl.**
USPC **D6/366**

(58) **Field of Classification Search**
USPC D6/334, 349, 357, 364, 365, 366, 367, D6/368, 369, 374, 375, 379, 381, 708.16, D6/716.1, 716.4, 716.7
CPC A47C 3/12; A47C 3/18; A47C 3/20; A47C 3/26; A47C 5/02; A47C 5/10; A47C 7/24; A47C 7/36; A47C 7/46; A47C 7/18; A47C 7/40; A47C 1/03255; A47C 4/42; A47C 4/44; A47C 11/00; A47C 11/05
See application file for complete search history.

(56) **References Cited**

U.S. PATENT DOCUMENTS

D399,665 S * 10/1998 Muller D6/370
D596,864 S * 7/2009 Bergmann D6/369
D607,222 S * 1/2010 Bassam D6/369

D807,066 S * 1/2018 Vance D6/334
D815,449 S * 4/2018 Hannoosh D6/374
D821,773 S * 7/2018 Hale D6/375
D863,804 S * 10/2019 Foersom D6/372
D873,578 S * 1/2020 Pedersen D6/369
D893,909 S * 8/2020 Zhong D6/366
D898,395 S * 10/2020 Aisslinger D6/369
D904,062 S * 12/2020 Aisslinger D6/369

FOREIGN PATENT DOCUMENTS

FR 2208291 A5 * 6/1974 A47C 5/12

* cited by examiner

Primary Examiner — R. Johnson

(74) *Attorney, Agent, or Firm* — Feng Qian

(57) **CLAIM**

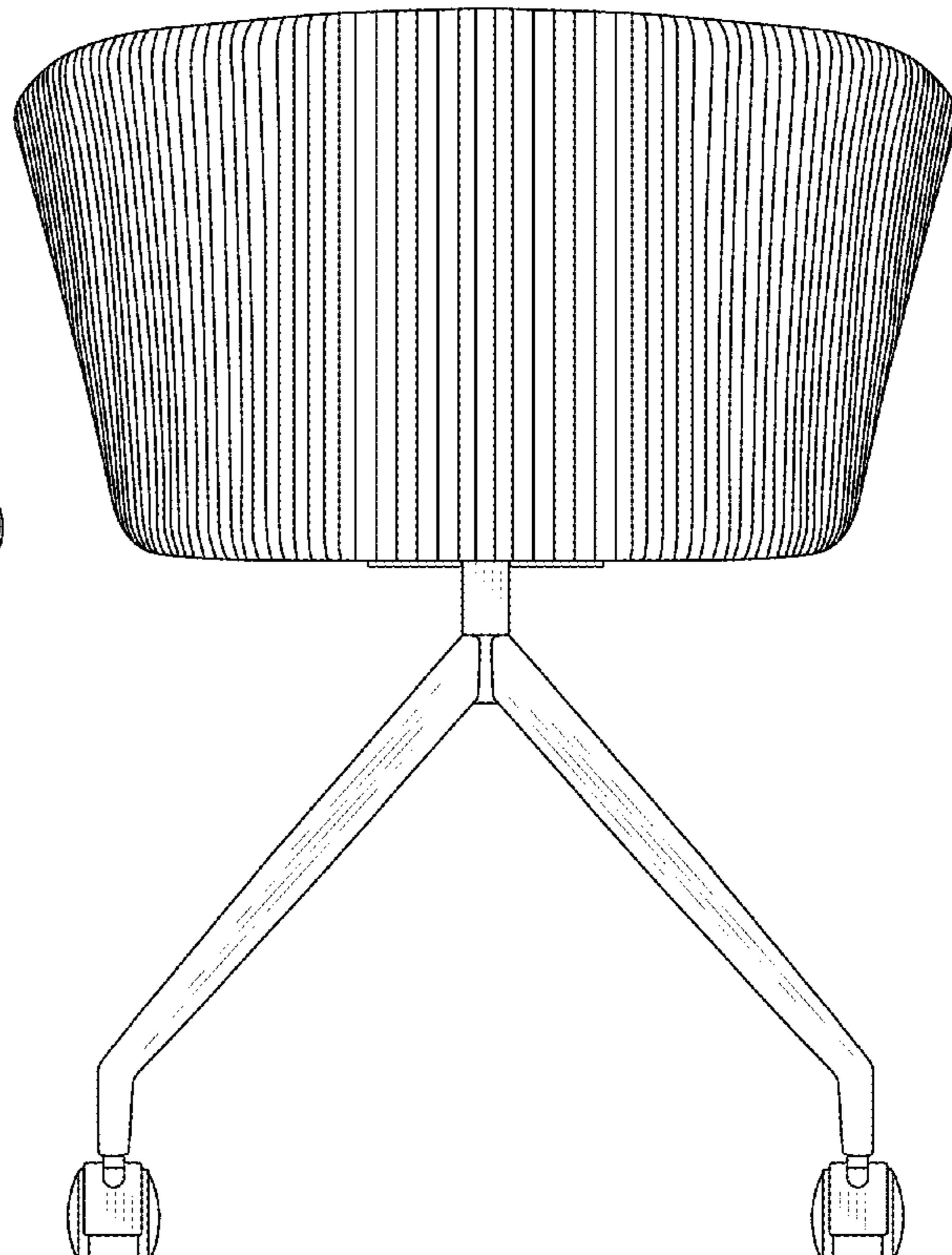
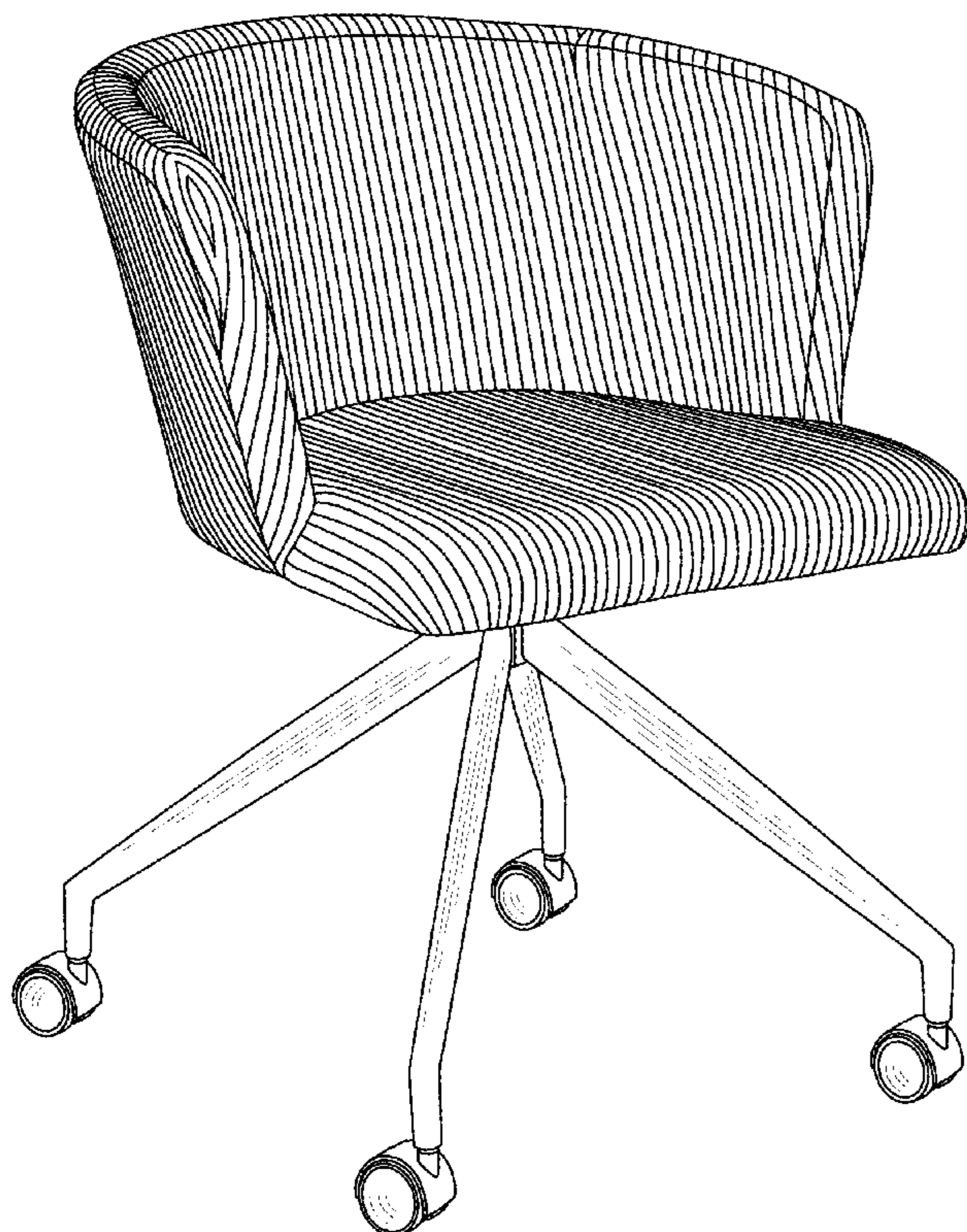
The ornamental design for a chair, as shown and described.

DESCRIPTION

FIG. 1 is a front perspective view of a chair showing my new design;
FIG. 2 is a front elevation view thereof;
FIG. 3 is a rear elevation view thereof;
FIG. 4 is a left-side elevation view thereof;
FIG. 5 is a right-side elevation view thereof;
FIG. 6 is a top plan view thereof; and,
FIG. 7 is a bottom plan view thereof.

The broken lines shown in the drawings are for the purpose of illustrating portions of the article, and form no part of the claimed design.

1 Claim, 7 Drawing Sheets



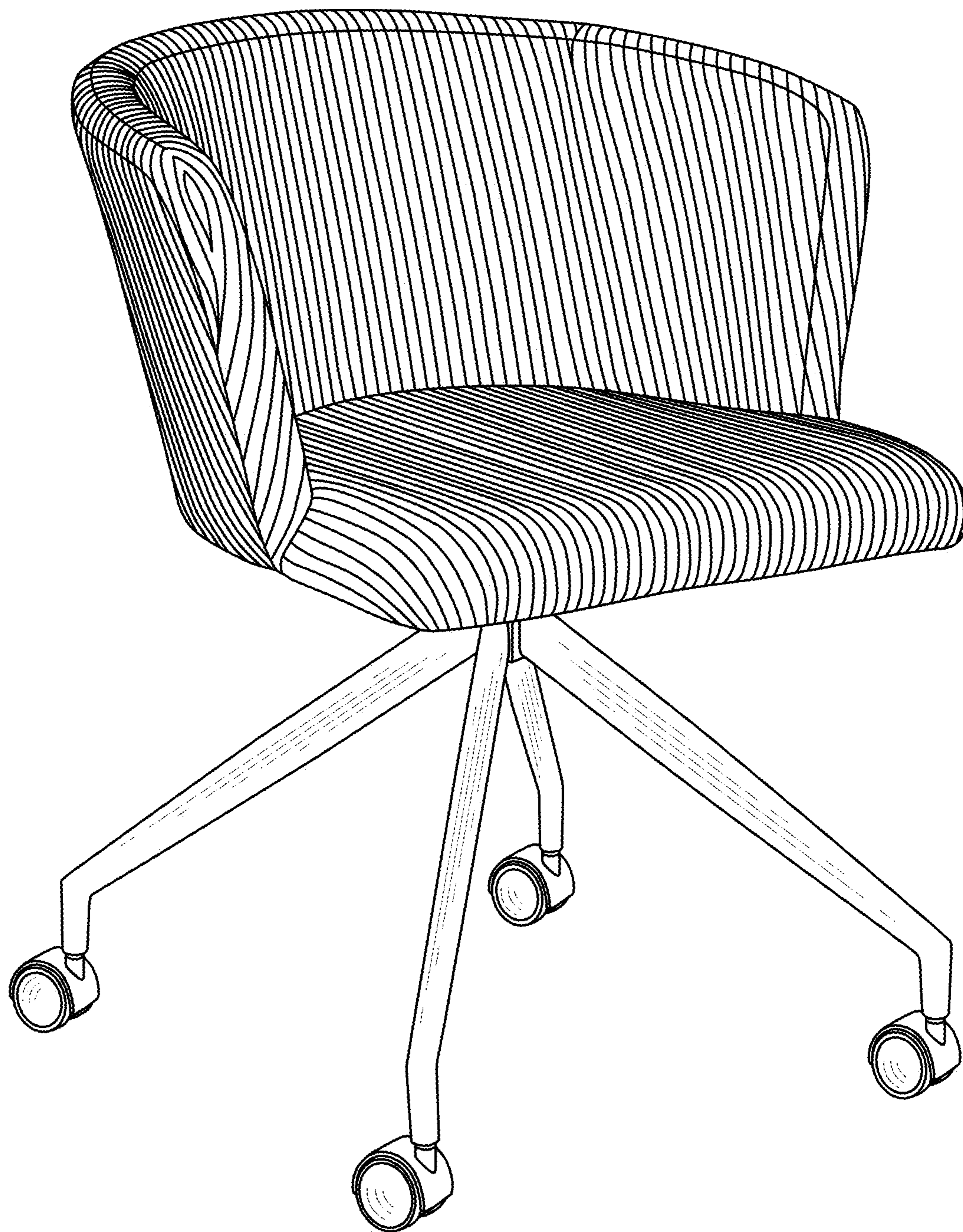


Fig. 1



Fig. 2

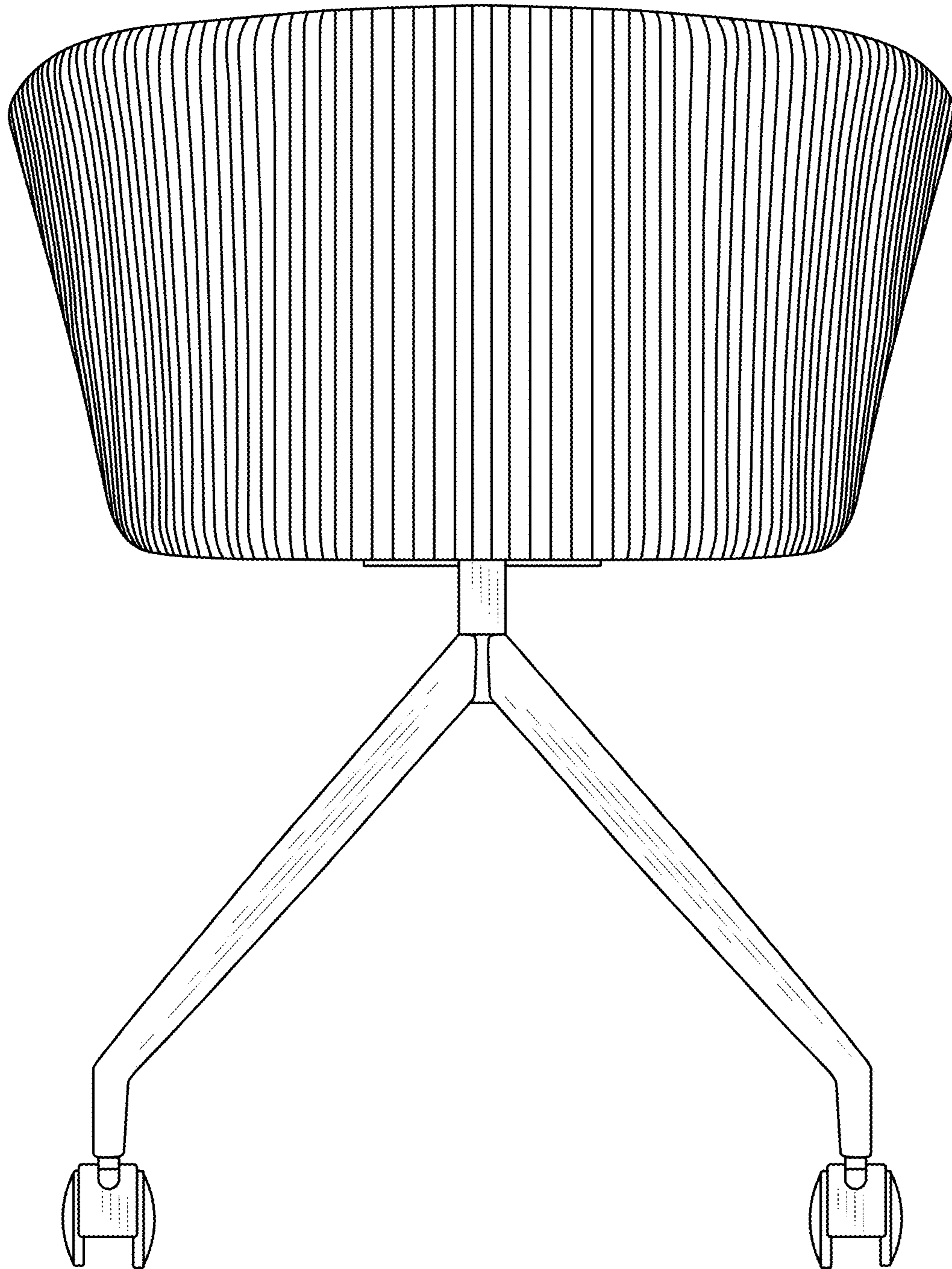


Fig. 3

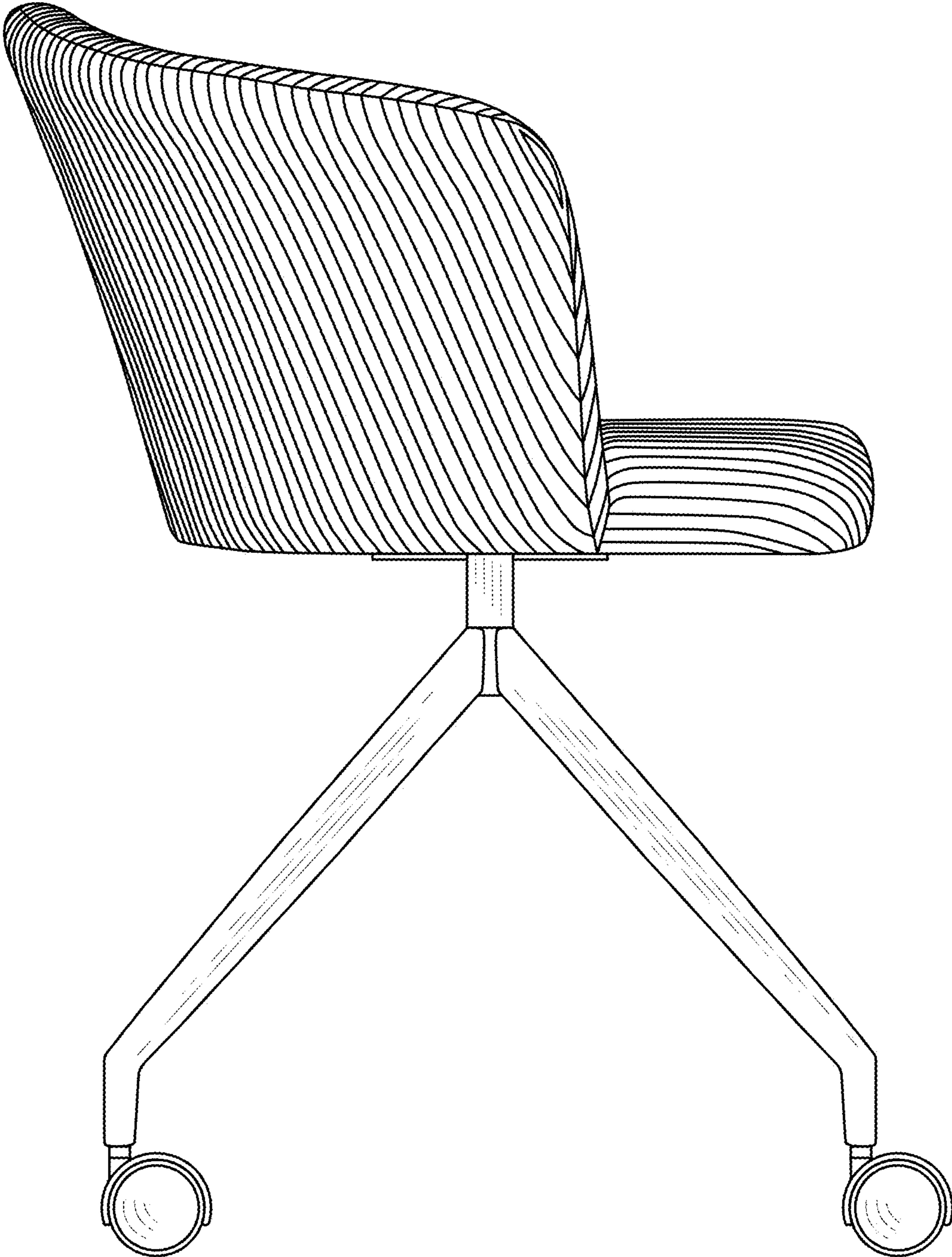


Fig. 4

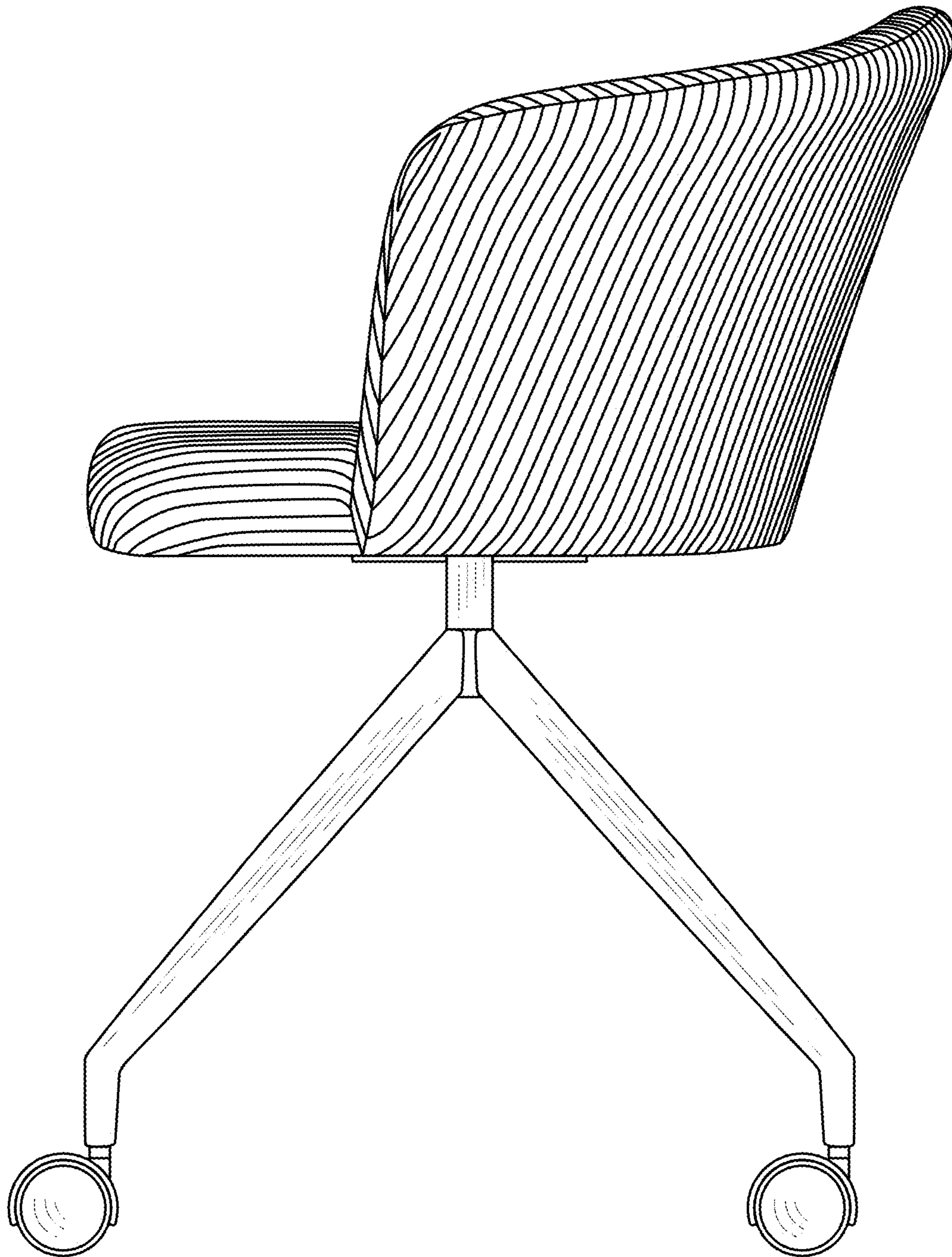


Fig. 5

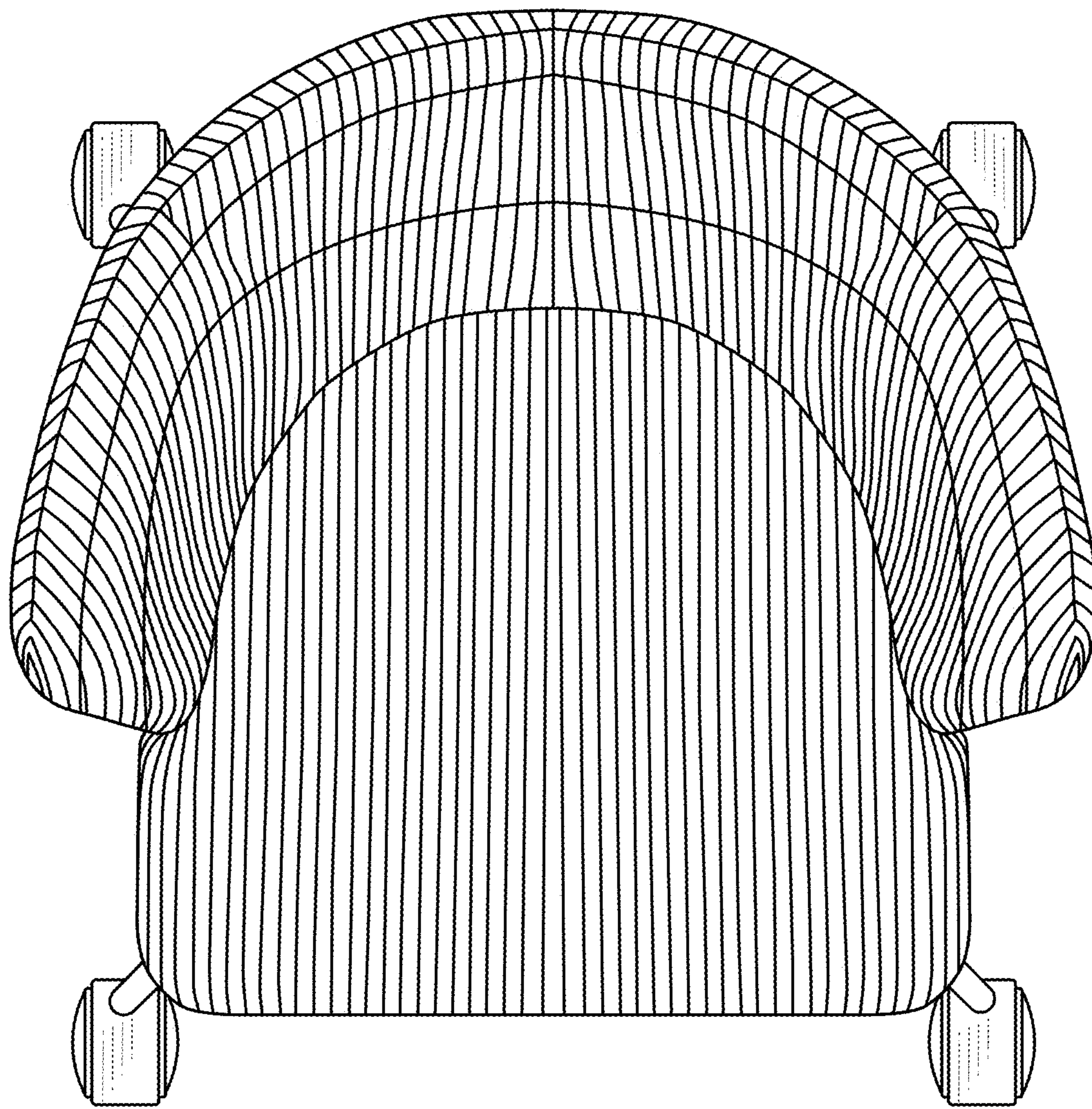


Fig. 6

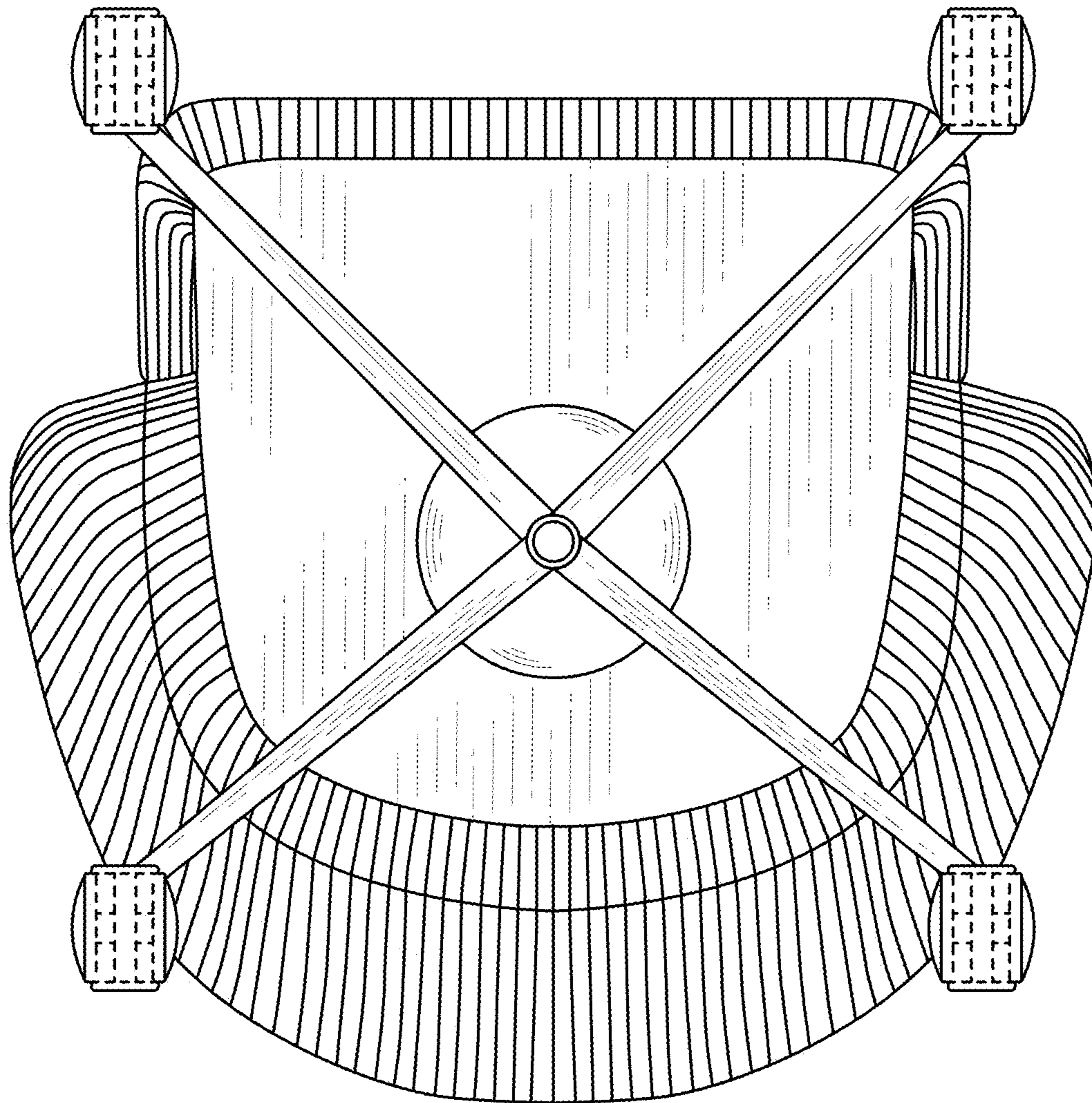


Fig. 7