



US00D919988S

(12) **United States Design Patent**
Li

(10) **Patent No.:** **US D919,988 S**

(45) **Date of Patent:** **** May 25, 2021**

(54) **CHAIR**

(71) Applicant: **39F USA INC**, Rancho Cucamonga, CA (US)

(72) Inventor: **Yuehai Li**, Rancho Cucamonga, CA (US)

(**) Term: **15 Years**

(21) Appl. No.: **29/715,871**

(22) Filed: **Dec. 5, 2019**

(51) **LOC (13) Cl.** **06-01**

(52) **U.S. Cl.**
USPC **D6/366**

(58) **Field of Classification Search**
USPC D6/334, 349, 357, 364, 365, 366, 367, D6/368, 369, 374, 375, 379, 381, 708.16, D6/716.1, 716.4, 716.7
CPC A47C 3/12; A47C 3/18; A47C 3/20; A47C 3/26; A47C 5/02; A47C 5/10; A47C 7/24; A47C 7/36; A47C 7/46; A47C 7/18; A47C 7/40; A47C 1/03255; A47C 4/42; A47C 4/44; A47C 11/00; A47C 11/05
See application file for complete search history.

(56) **References Cited**

U.S. PATENT DOCUMENTS

D262,244 S * 12/1981 Wilson D6/379
D463,173 S * 9/2002 Chi D6/366
D698,191 S * 1/2014 Kubryk D6/716

D715,573 S * 10/2014 Lloyd D6/375
D766,637 S * 9/2016 Kirar D6/716
D781,606 S * 3/2017 Ngo D6/366
D861,367 S * 10/2019 Shen D6/366
D876,854 S * 3/2020 Baccolini D6/375
D883,695 S * 5/2020 Urquiola D6/374
D887,157 S * 6/2020 Holbrook D6/366
D890,537 S * 7/2020 Urquiola D6/366
D891,806 S * 8/2020 Li D6/375
2013/0113251 A1 * 5/2013 First A47C 31/11 297/219.1

* cited by examiner

Primary Examiner — R. Johnson

(74) *Attorney, Agent, or Firm* — Feng Qian

(57) **CLAIM**

The ornamental design for a chair, as shown and described.

DESCRIPTION

FIG. 1 is a front perspective view of a chair showing my new design;

FIG. 2 is a front elevation view thereof;

FIG. 3 is a rear elevation view thereof;

FIG. 4 is a left-side elevation view thereof;

FIG. 5 is a right-side elevation view thereof;

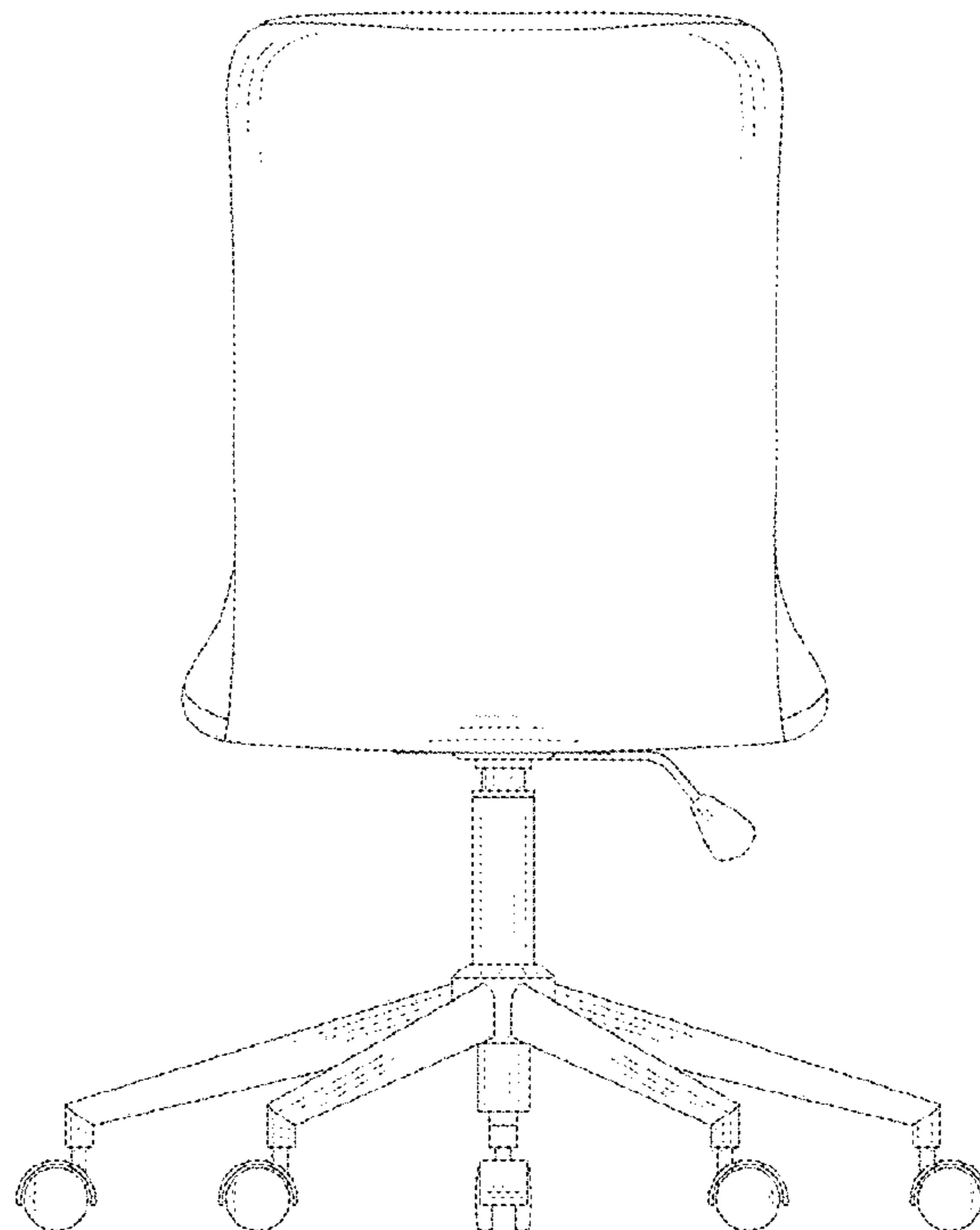
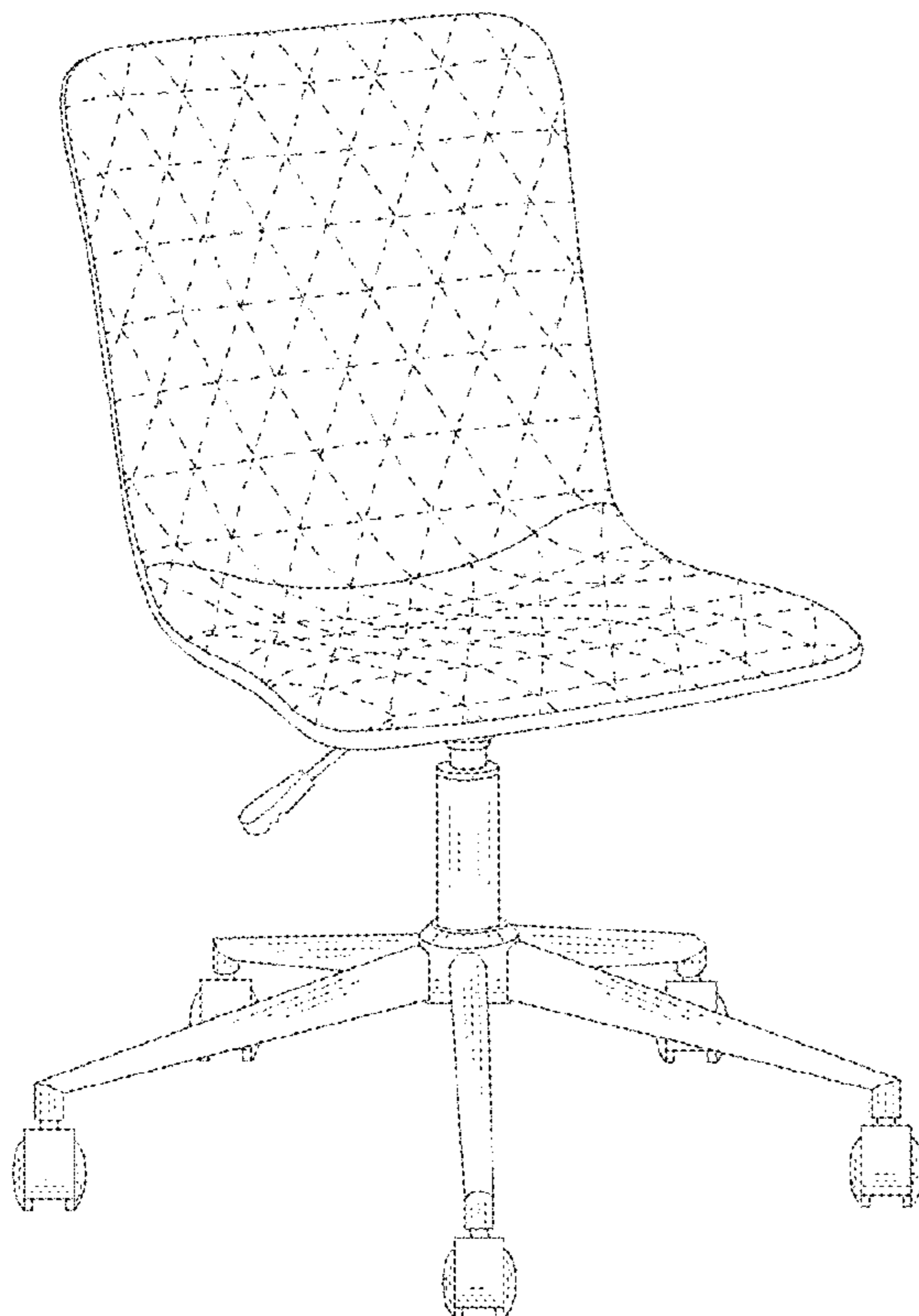
FIG. 6 is a top plan view thereof; and,

FIG. 7 is a bottom plan view thereof.

The broken lines in FIGS. 1-6 represent stitching that forms part of the claimed design.

The broken lines shown in FIG. 7 are for the purpose of illustrating portions of the article, and form no part of the claimed design.

1 Claim, 7 Drawing Sheets



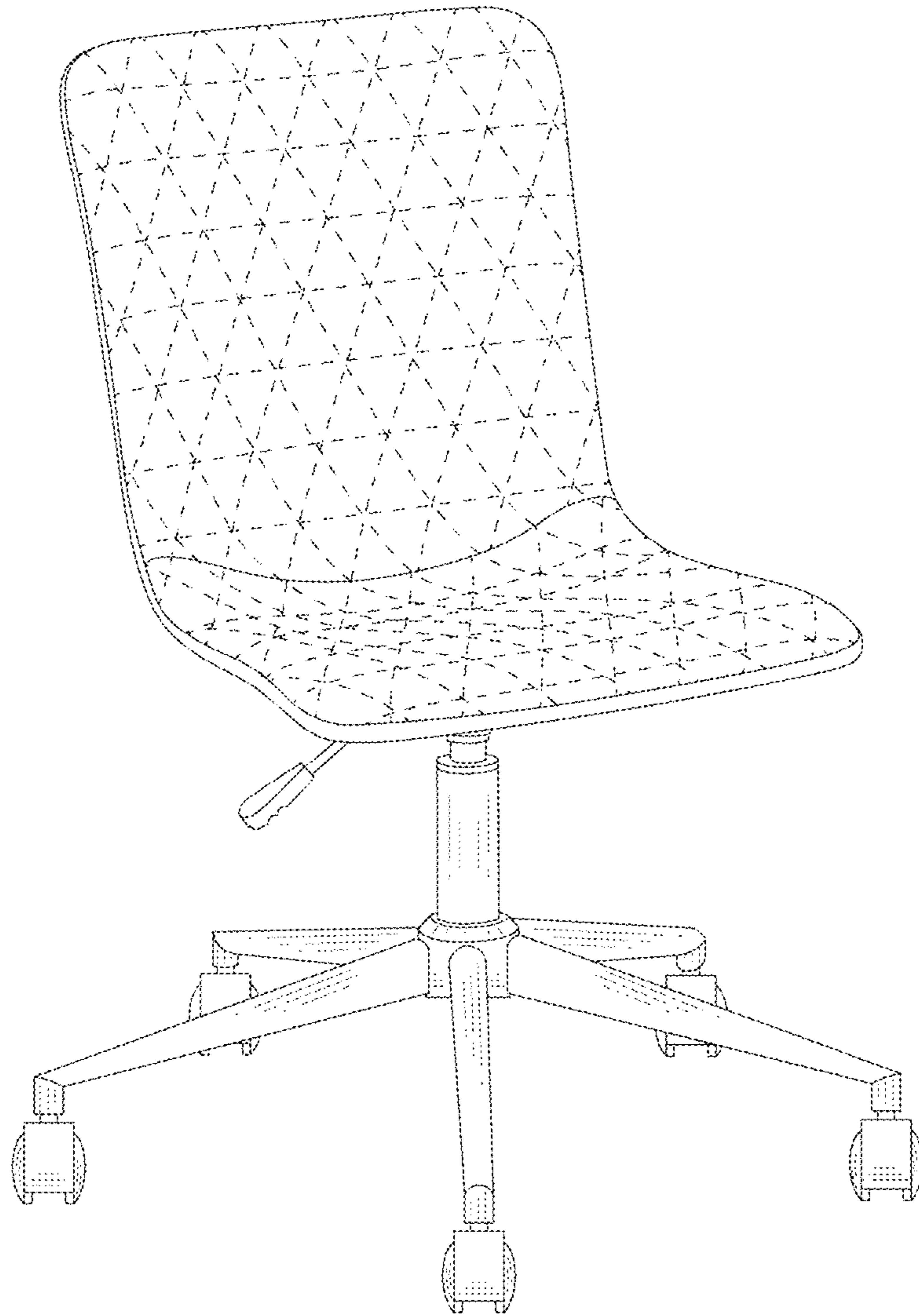


Fig.1

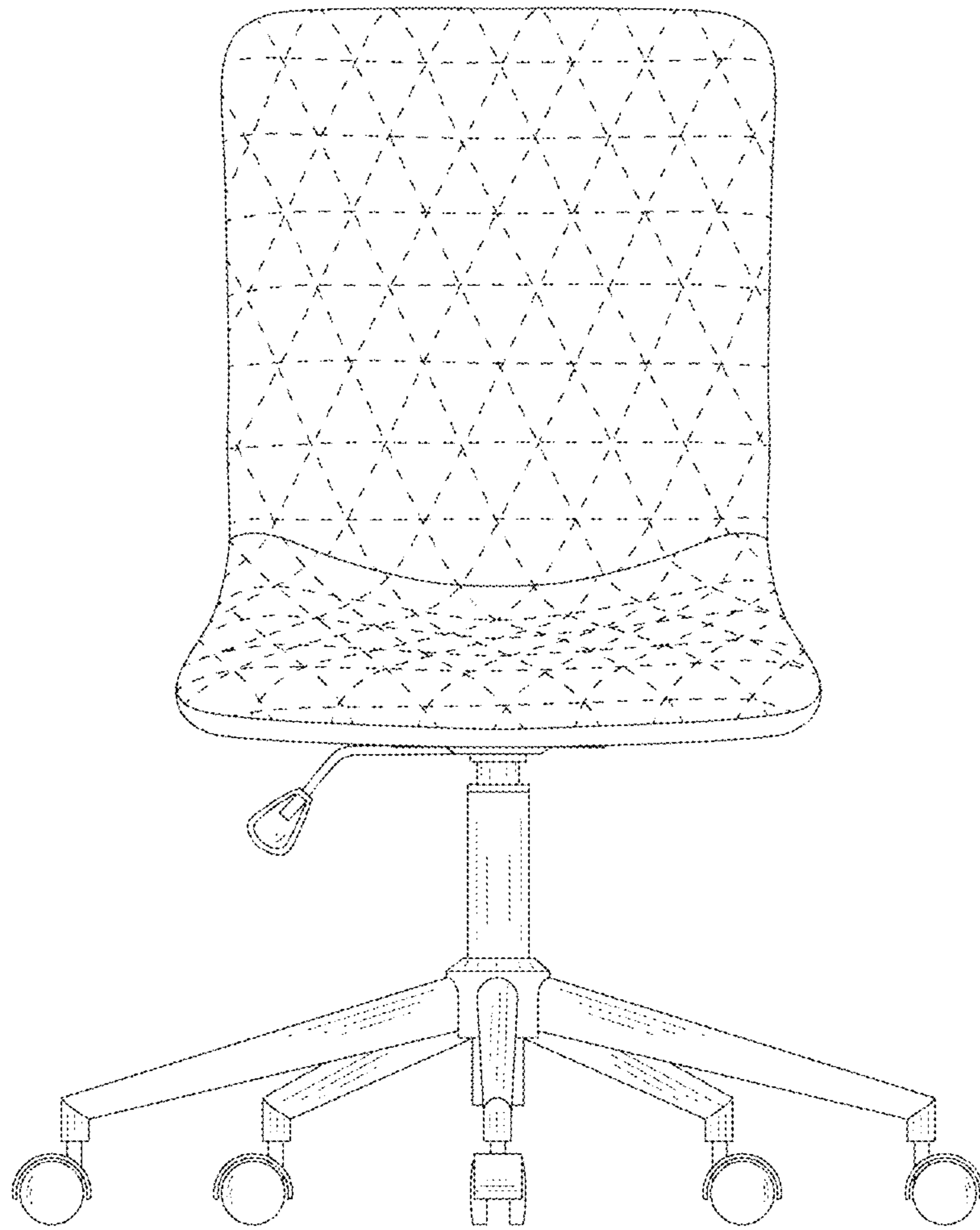


Fig.2

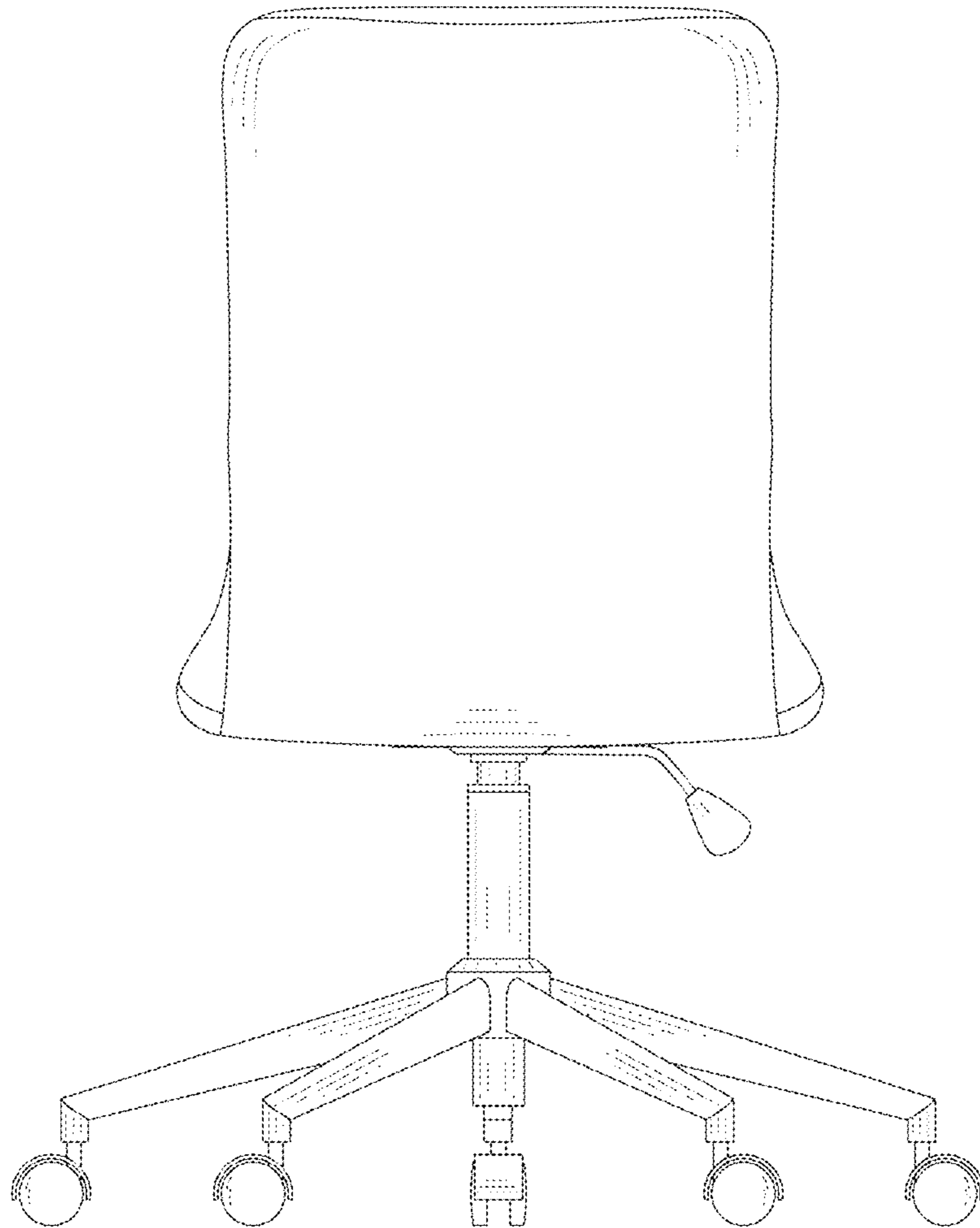


Fig.3

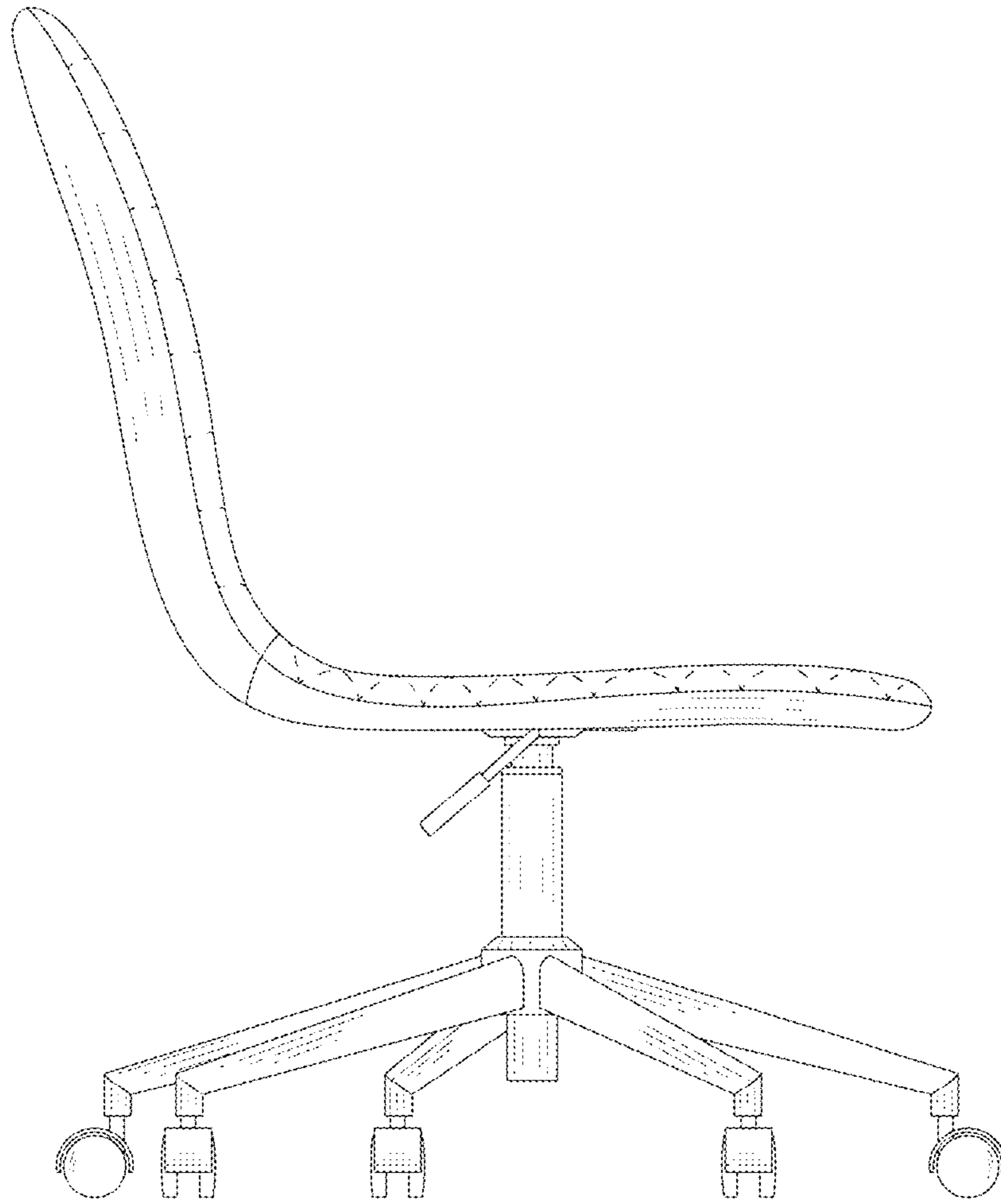


Fig.4



Fig.5

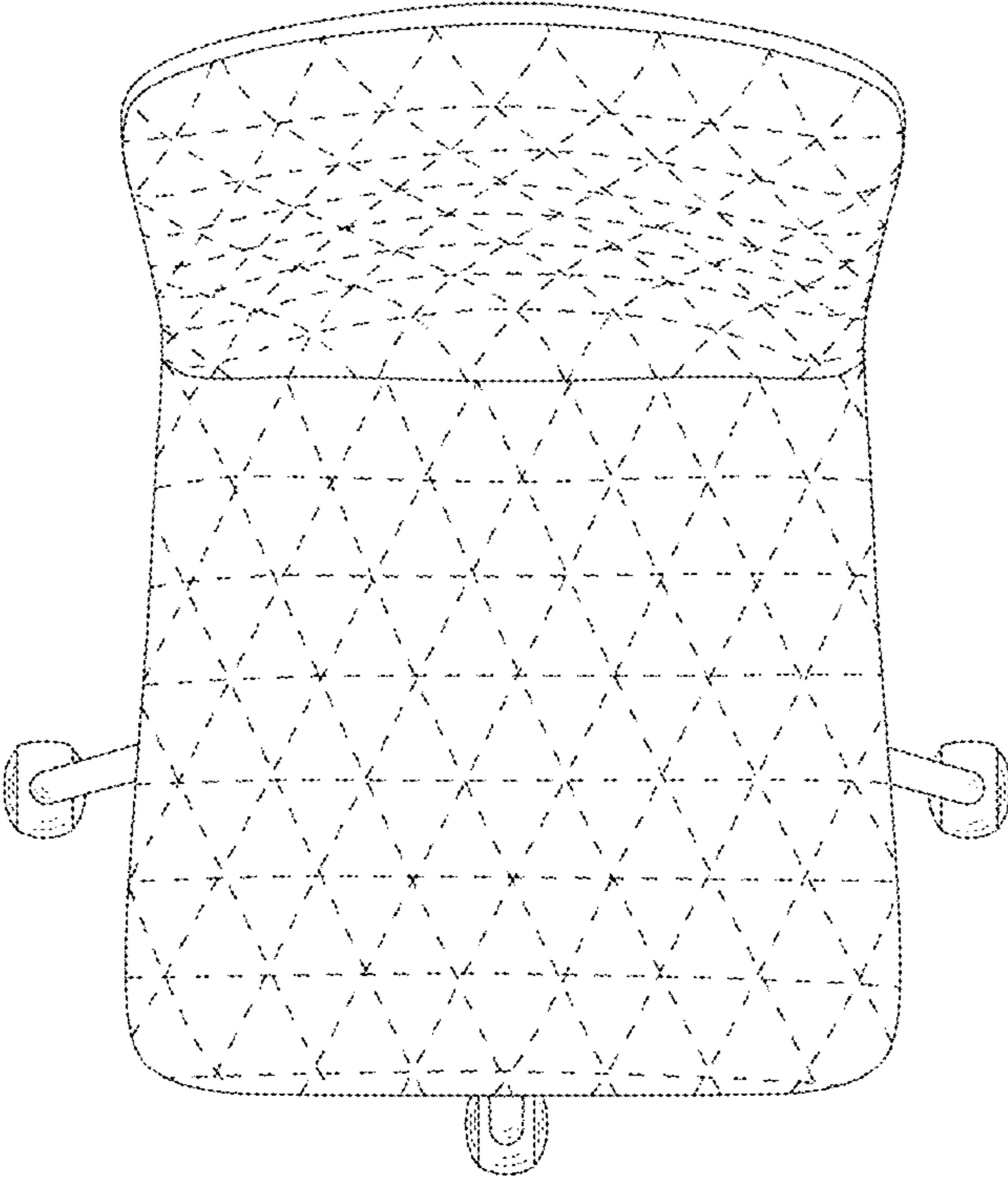


Fig.6

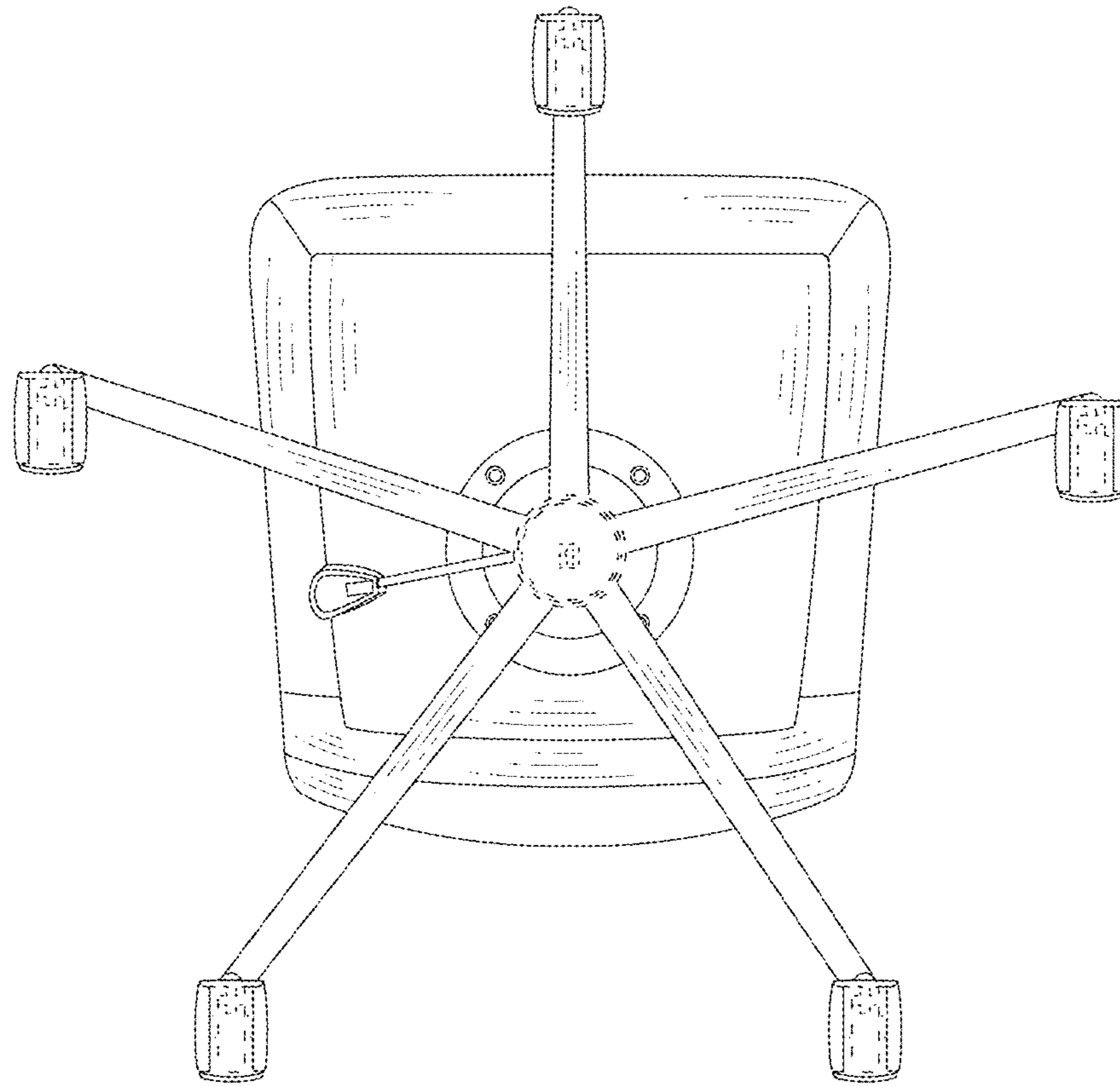


Fig.7