



US00D919985S

(12) **United States Design Patent** (10) **Patent No.:** **US D919,985 S**  
**Gupta** (45) **Date of Patent:** **\*\* \*May 25, 2021**

(54) **TWO-PIECE FOOTSTOOL**

(71) Applicant: **Anjum Gupta**, San Diego, CA (US)

(72) Inventor: **Anjum Gupta**, San Diego, CA (US)

(\* ) Notice: This patent is subject to a terminal disclaimer.

(\*\*) Term: **15 Years**

(21) Appl. No.: **29/705,306**

(22) Filed: **Sep. 11, 2019**

**Related U.S. Application Data**

(63) Continuation-in-part of application No. 29/680,200, filed on Feb. 14, 2019, now Pat. No. Des. 889,146, (Continued)

(51) **LOC (13) Cl.** ..... **06-01**

(52) **U.S. Cl.**  
USPC ..... **D6/349**

(58) **Field of Classification Search**  
USPC ..... D6/334, 335, 349–353, 354, 355, 360, D6/363, 364–365, 368, 596, 601, 604, (Continued)

(56) **References Cited**

**U.S. PATENT DOCUMENTS**

D414,974 S \* 10/1999 Marrone, II ..... 5/638  
D567,562 S \* 4/2008 Nash ..... D6/601  
(Continued)

*Primary Examiner* — Vy N Koenig

(57) **CLAIM**

The ornamental design for a two-piece footstool, as shown and described.

**DESCRIPTION**

FIG. 1 is a top, left and front side exploded perspective view of a two-piece footstool showing my new design, having an upper top piece and a lower bottom piece;

FIG. 2 is a bottom right front side exploded perspective view of the two-piece footstool having an upper top piece and a lower bottom piece;

FIG. 3 is a front side exploded view of the two-piece footstool having an upper top piece and a lower bottom piece;

FIG. 4 is a back side exploded view of the two-piece footstool having an upper top piece and a lower bottom piece;

FIG. 5 is a left side exploded view of the two-piece footstool having an upper top piece and a lower bottom piece;

FIG. 6 is a right side exploded view of the two-piece footstool having an upper top piece and a lower bottom piece;

FIG. 7 is a top side exploded view of an upper top piece of the two-piece footstool;

FIG. 8 is a bottom side exploded view of a lower bottom piece of the two-piece footstool;

FIG. 9 is a bottom side view of an upper top piece of the two-piece footstool;

FIG. 10 is a top side view of an upper top piece of the two-piece footstool;

FIG. 11 is a bottom side view of a lower bottom piece of the two-piece footstool;

FIG. 12 is a top side view of a lower bottom piece of the two-piece footstool;

FIG. 15 is a front side assembled view of the two-piece footstool having an upper top piece and a lower bottom piece;

FIG. 16 is a back side assembled view of the two-piece footstool having an upper top piece and a lower bottom piece;

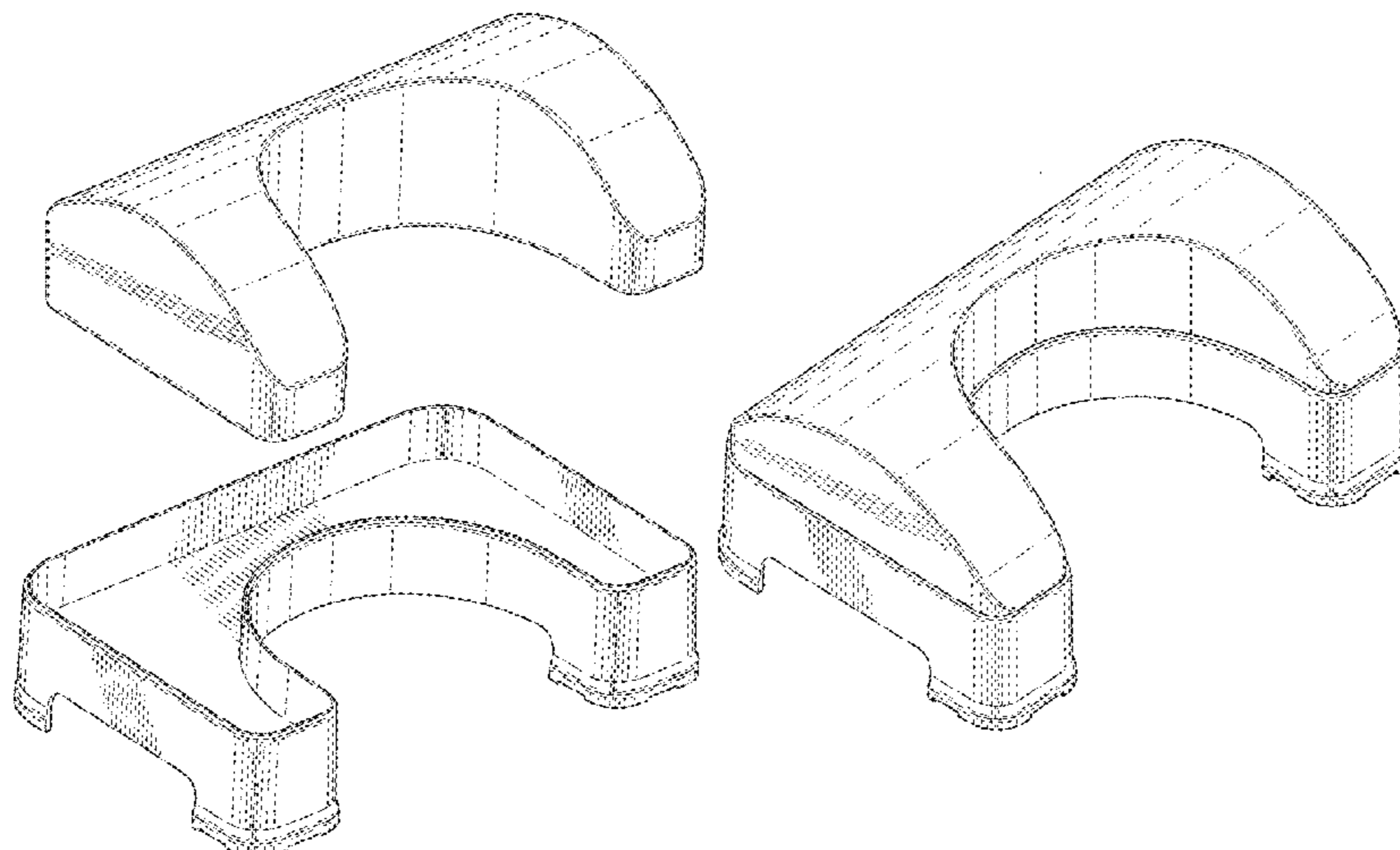
FIG. 17 is a left side assembled view of the two-piece footstool having an upper top piece and a lower bottom piece;

FIG. 18 is a right side assembled view of the two-piece footstool having an upper top piece and a lower bottom piece;

FIG. 19 is a top side assembled view of an upper top piece of the two-piece footstool; and,

FIG. 20 is a bottom side assembled view of a lower bottom piece of the two-piece footstool.

**1 Claim, 18 Drawing Sheets**



**Related U.S. Application Data**

and a continuation-in-part of application No. 29/678, 416, filed on Jan. 29, 2019, now Pat. No. Des. 873,040.

(58) **Field of Classification Search**

USPC ..... D6/691-691.9, 692-692.6, 716-716.1;  
D25/65

CPC ..... A47B 7/00-02; A47C 11/00; A47C 12/00;  
A47C 13/00; A47C 16/00; A47C  
16/02-04; A47C 9/00-105; A47K 17/02;  
A47K 17/028

See application file for complete search history.

(56) **References Cited**

U.S. PATENT DOCUMENTS

D637,439	S	*	5/2011	Mettler	.....	D6/601
D677,478	S	*	3/2013	Edwards	.....	D6/349
9,307,879	B2	*	4/2016	Fagre	.....	A47K 17/028
D767,291	S	*	9/2016	Edwards	.....	A47C 16/025
						D6/353
D797,466	S	*	9/2017	Zioni	.....	D6/353
D807,069	S	*	1/2018	Konghe	.....	D6/349
10,010,228	B2	*	7/2018	Rane	.....	A47K 17/028
10,136,777	B2	*	11/2018	Naik	.....	A47C 16/02
D840,166	S	*	2/2019	Nethercott	.....	D6/353
D840,167	S	*	2/2019	Nethercott	.....	D6/353
D842,618	S	*	3/2019	Nethercott	.....	D6/353
D846,293	S	*	4/2019	Love	.....	D6/349
D847,521	S	*	5/2019	Lisnic	.....	D6/353
D854,840	S	*	7/2019	Sato	.....	D6/349
D873,040	S	*	1/2020	Gupta	.....	D6/349
2014/0123376	A1	*	5/2014	Edwards	.....	A47K 17/028
						4/254

\* cited by examiner

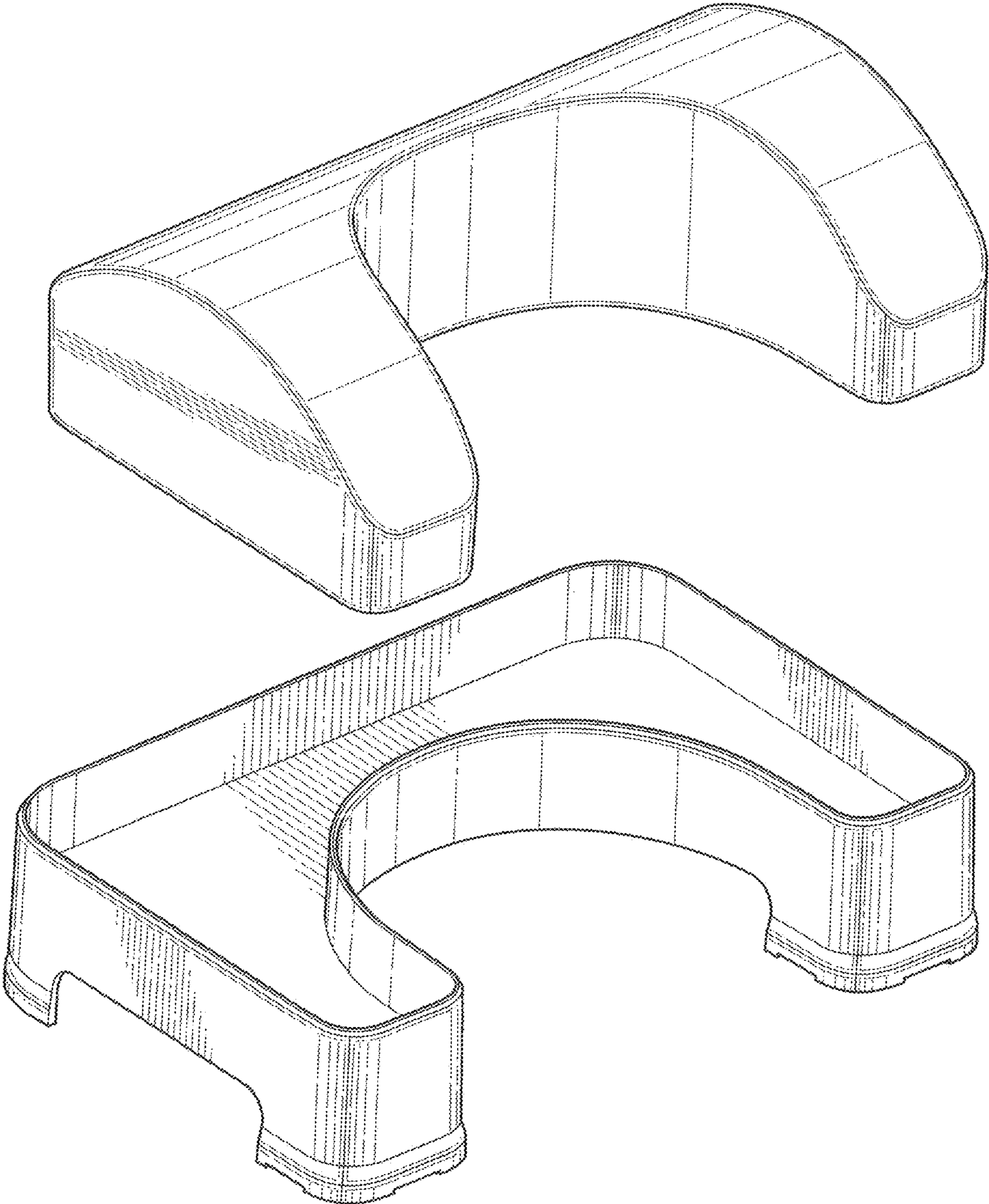


FIG. 1

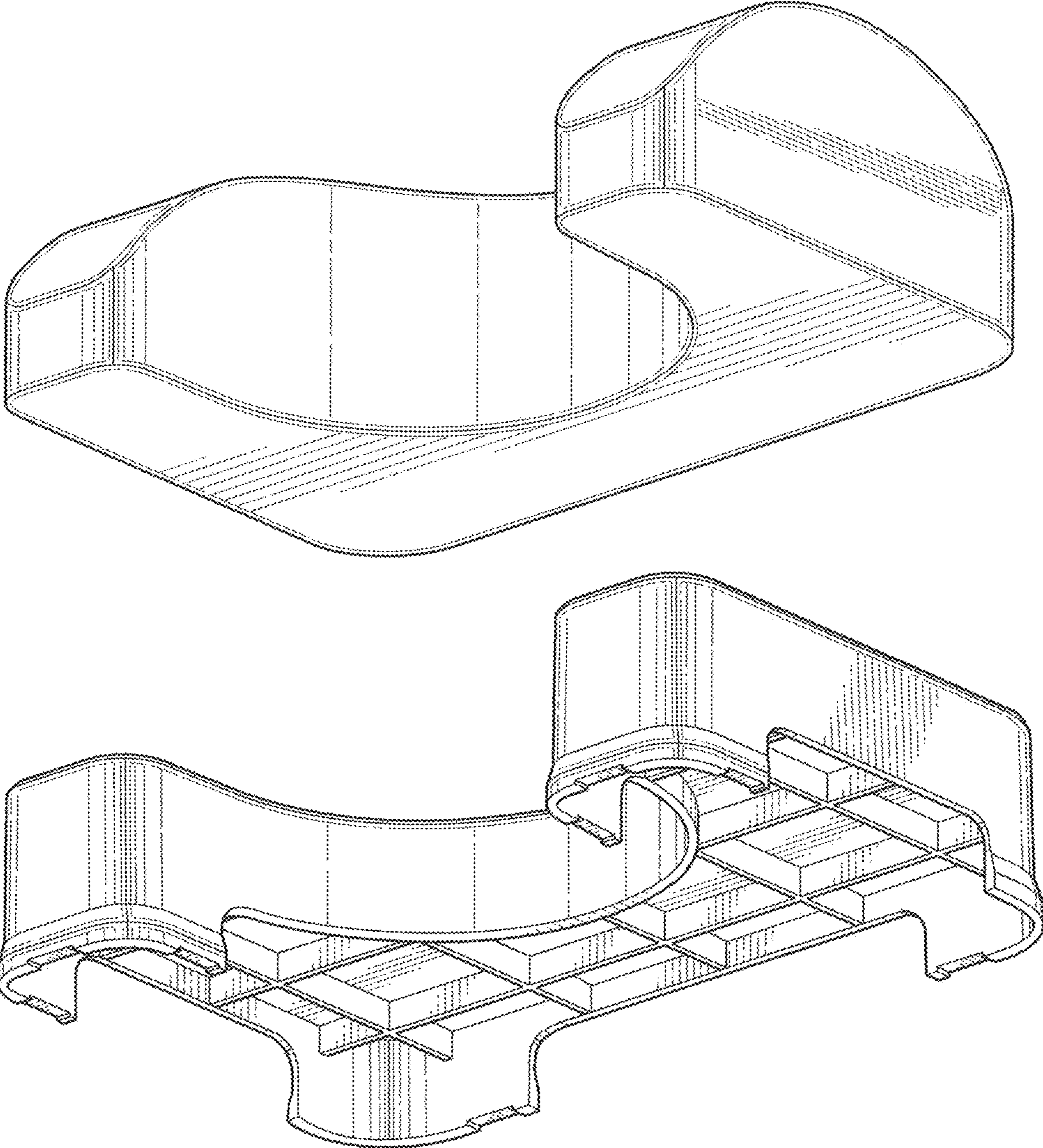


FIG. 2

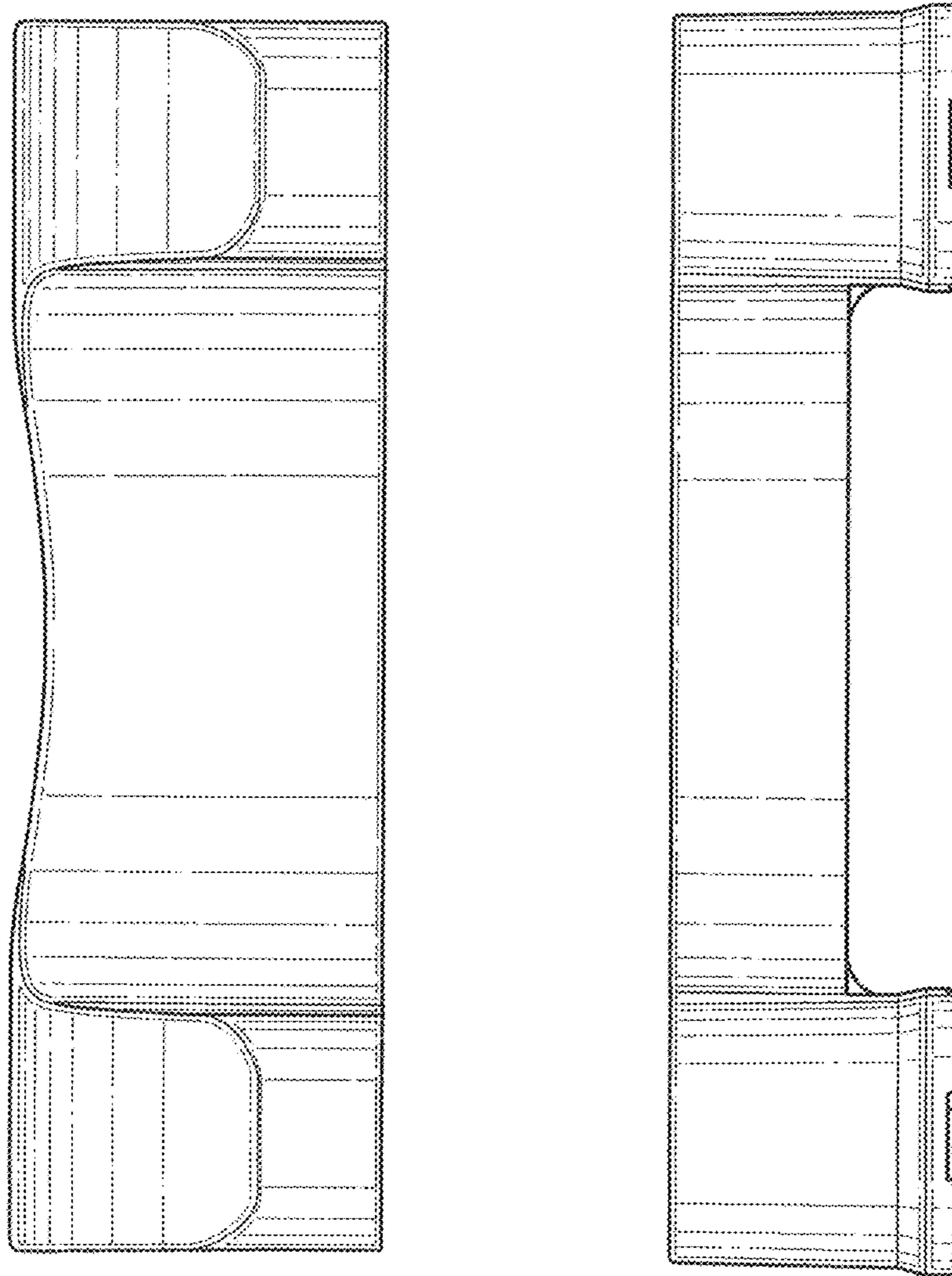


FIG. 3

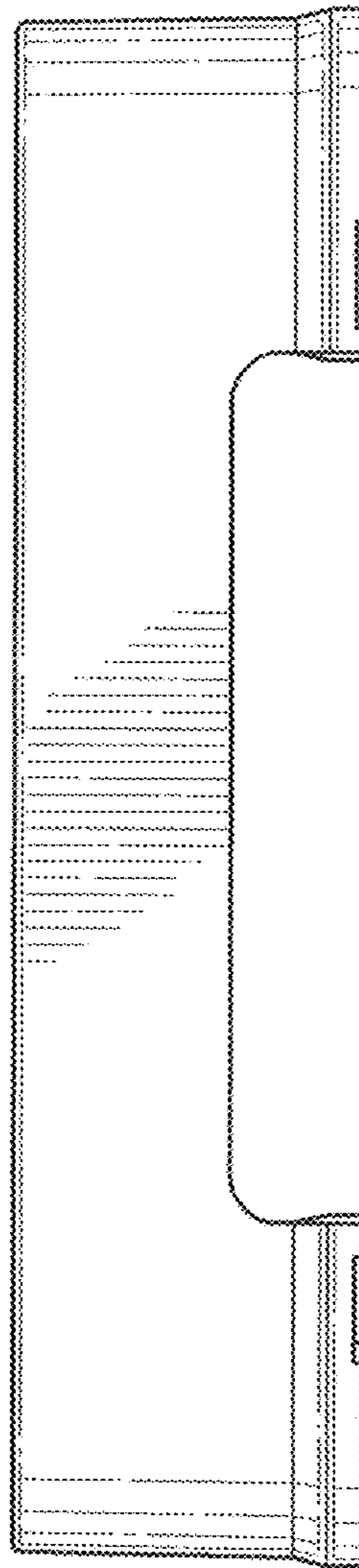
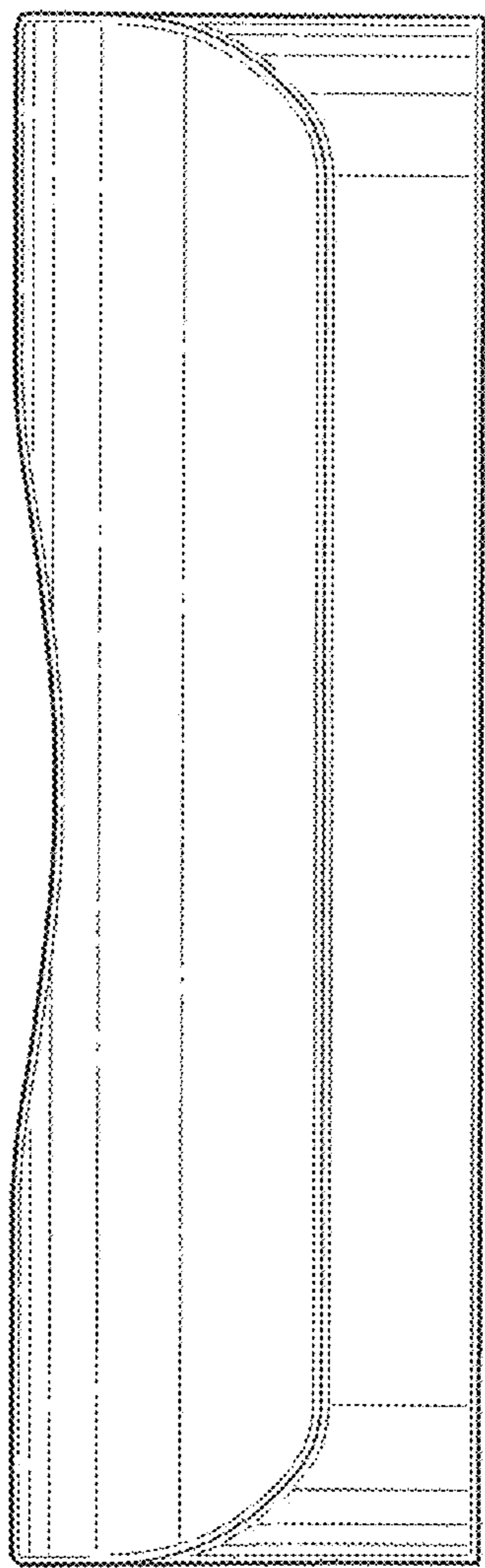


FIG. 4

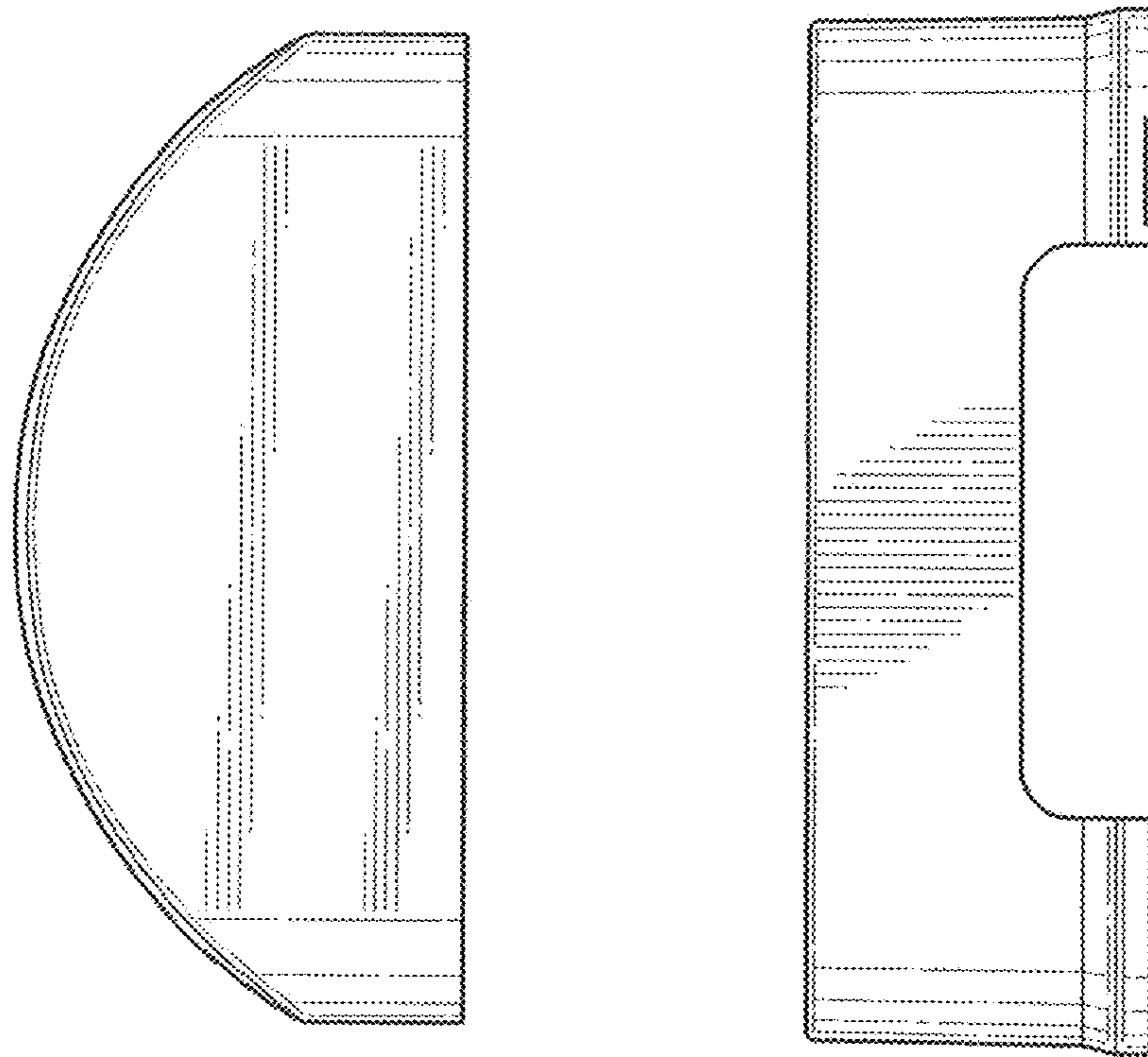


FIG. 5

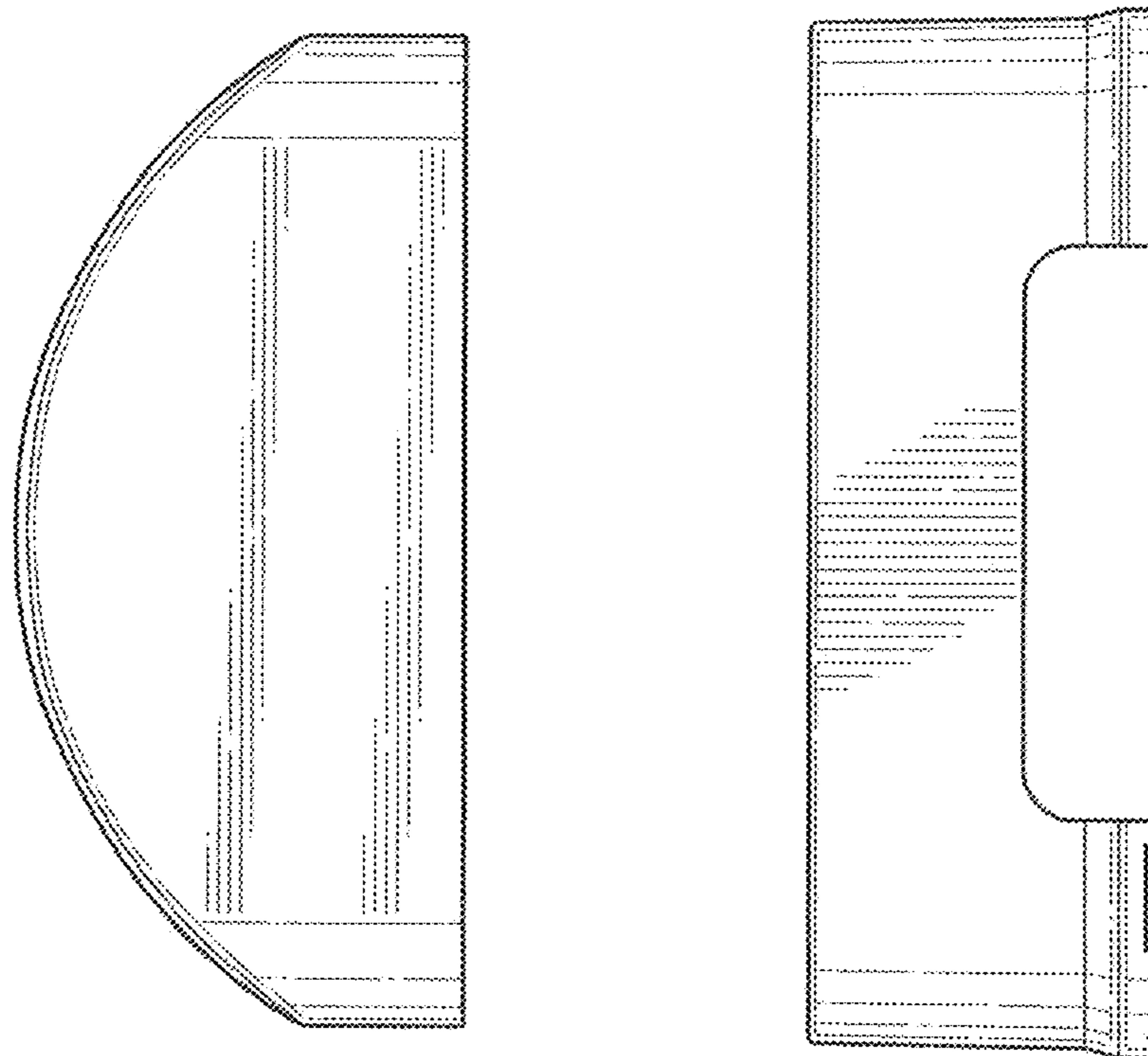


FIG. 6



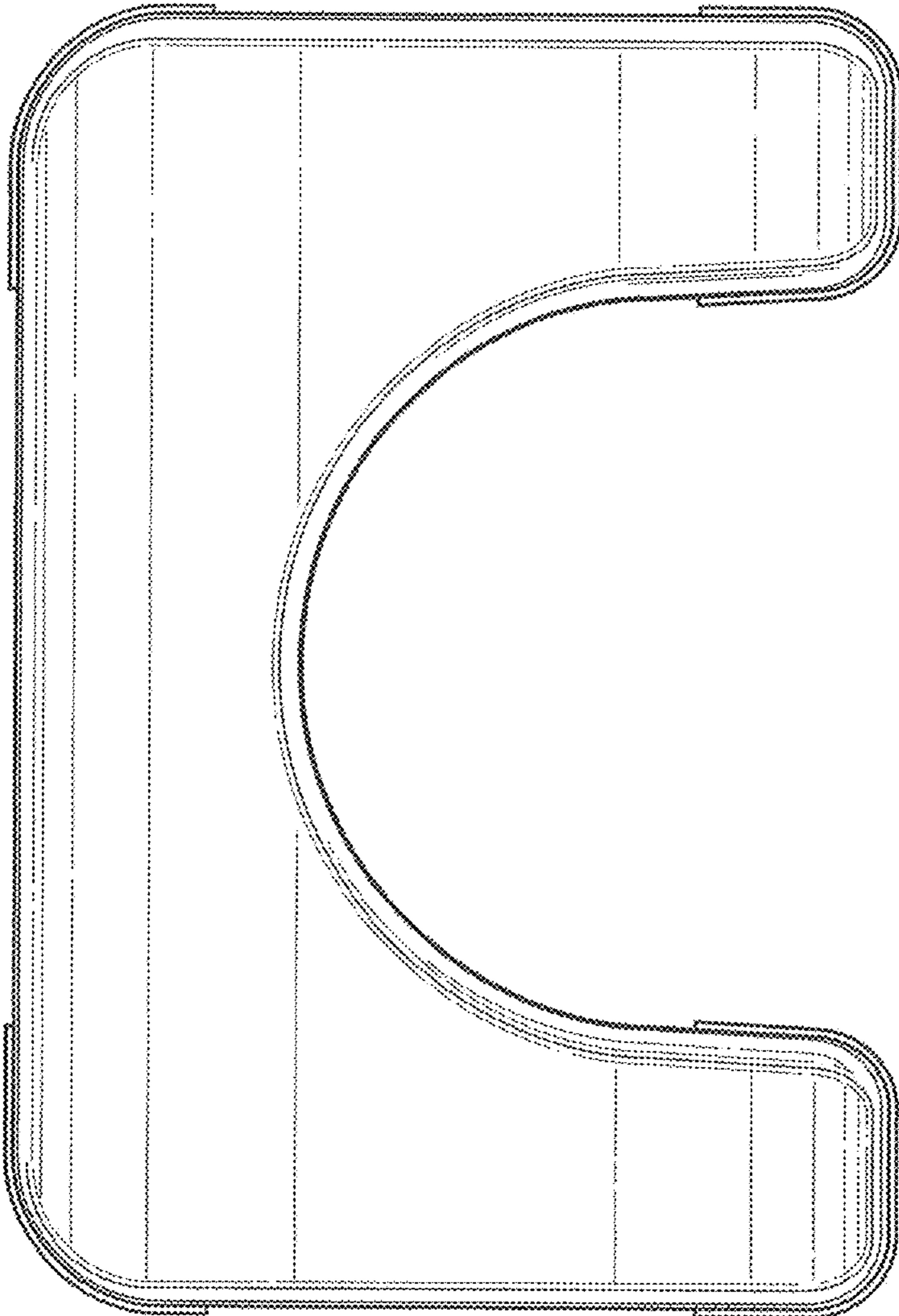


FIG. 7

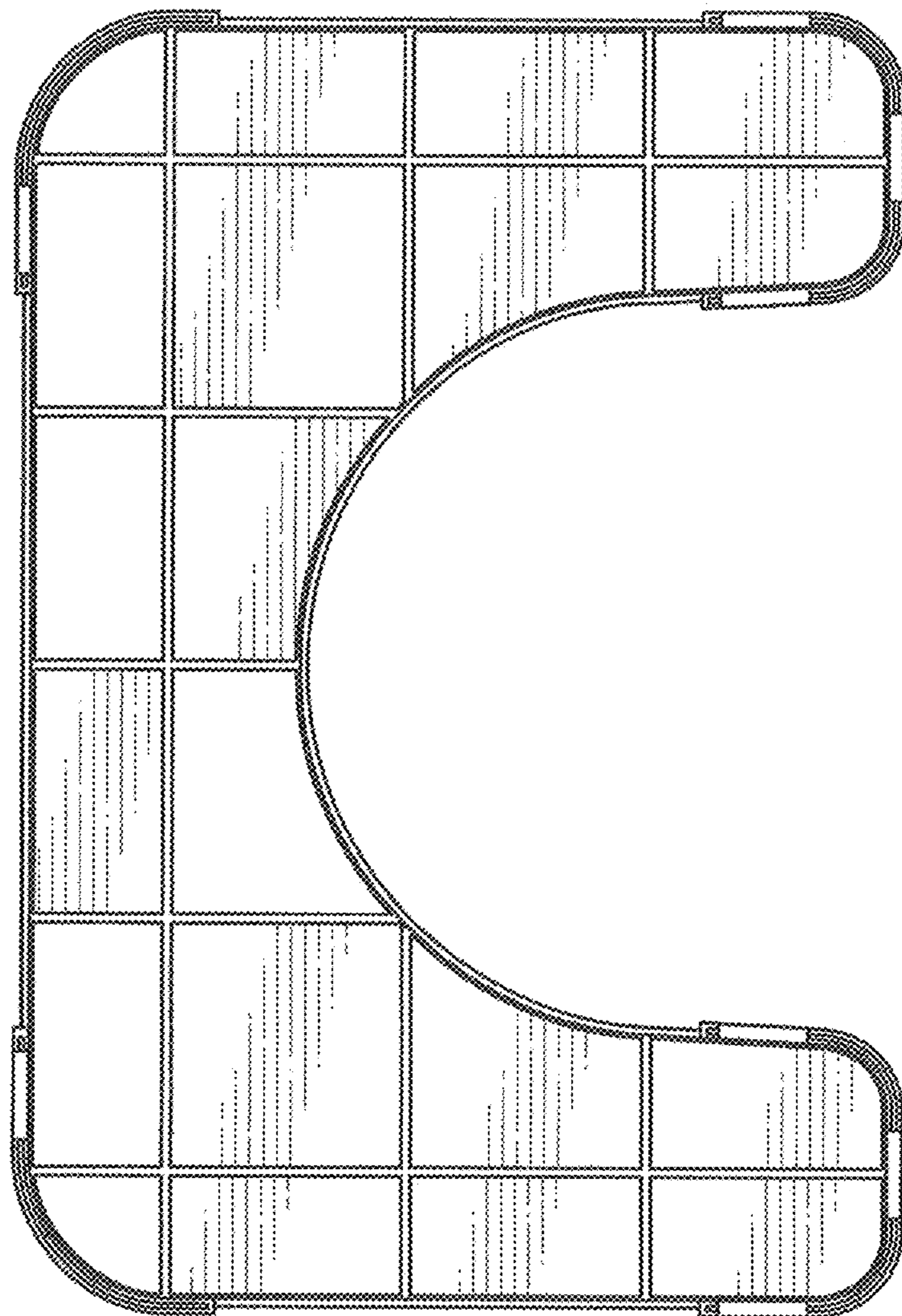


FIG. 8

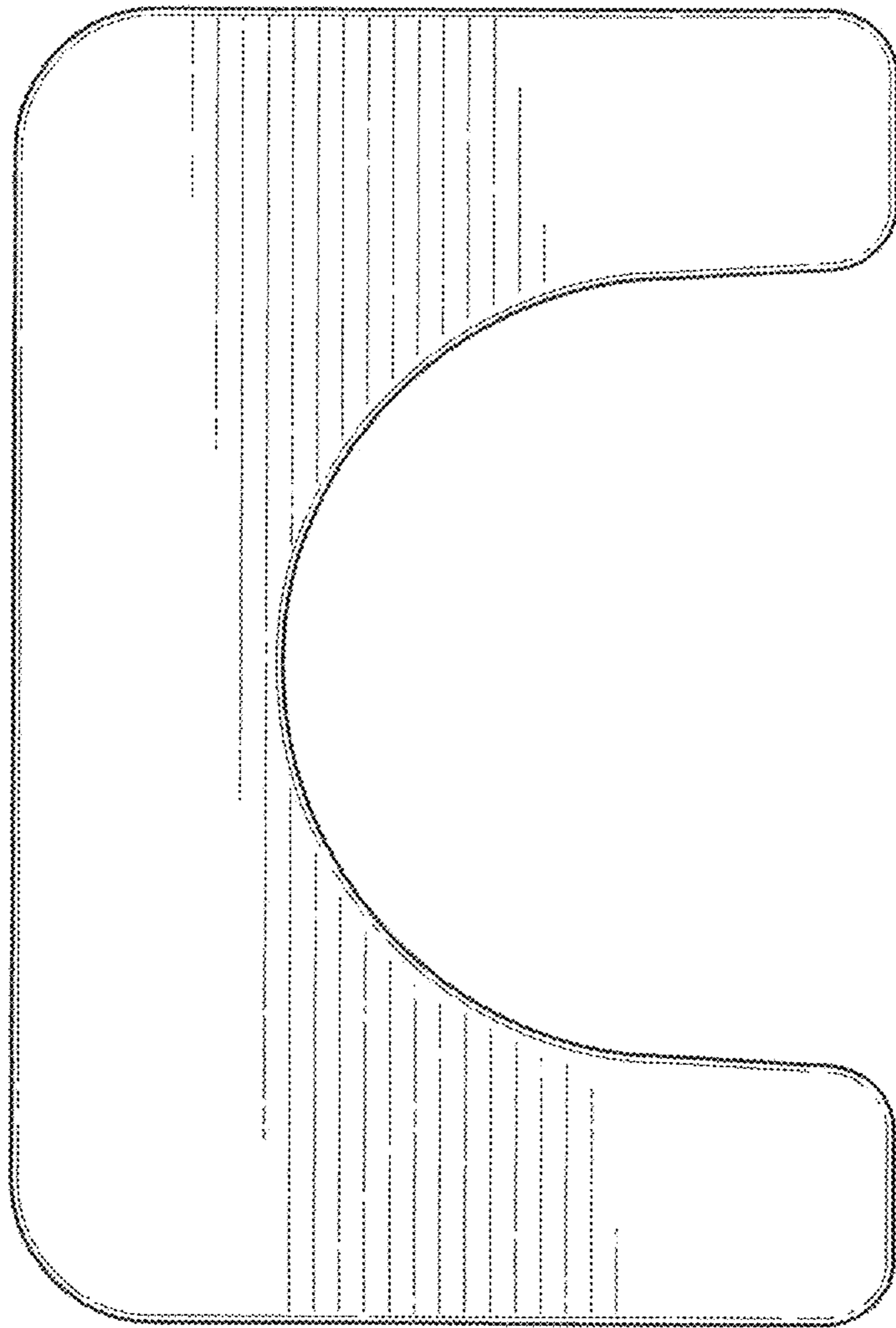


FIG. 9

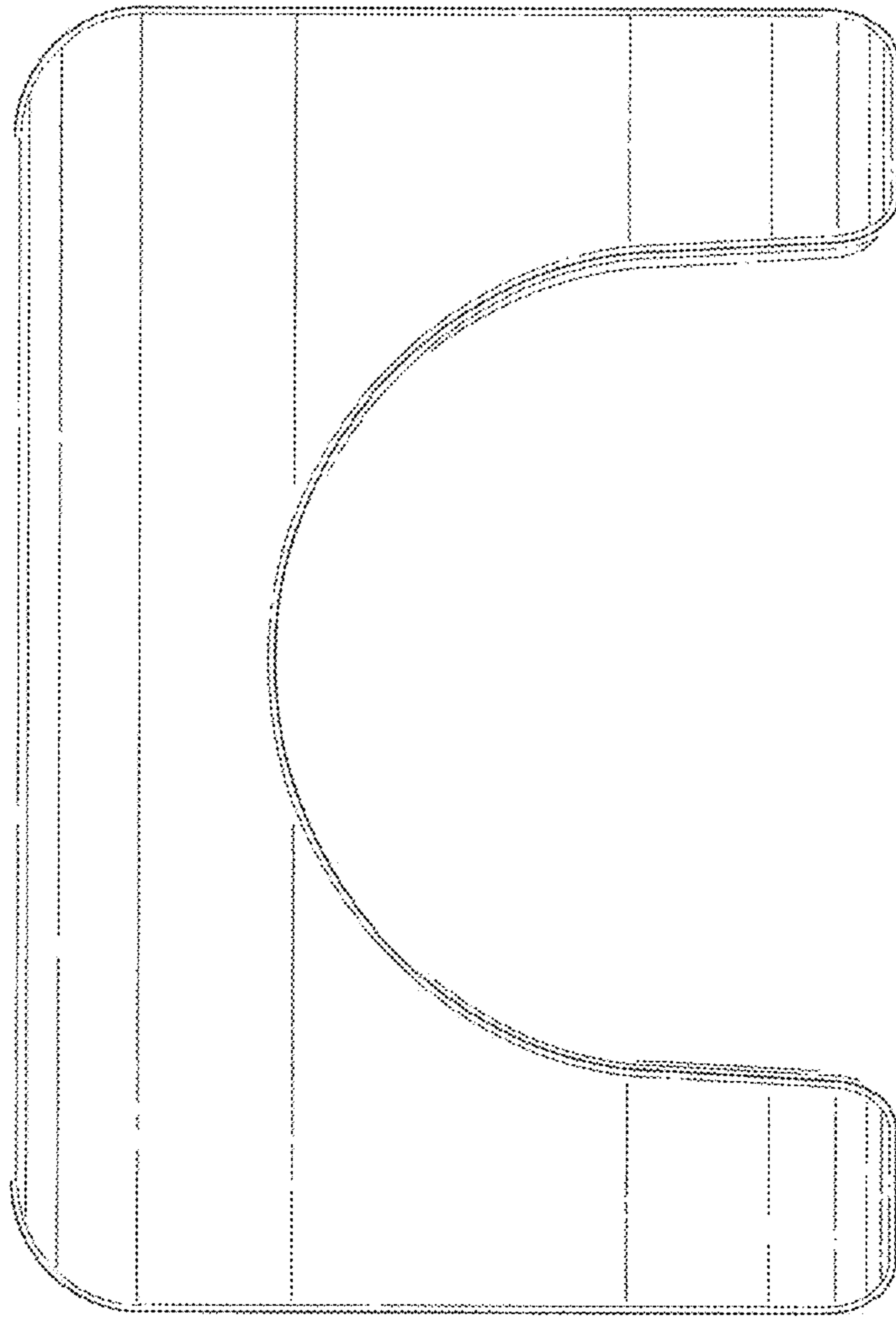


FIG. 10

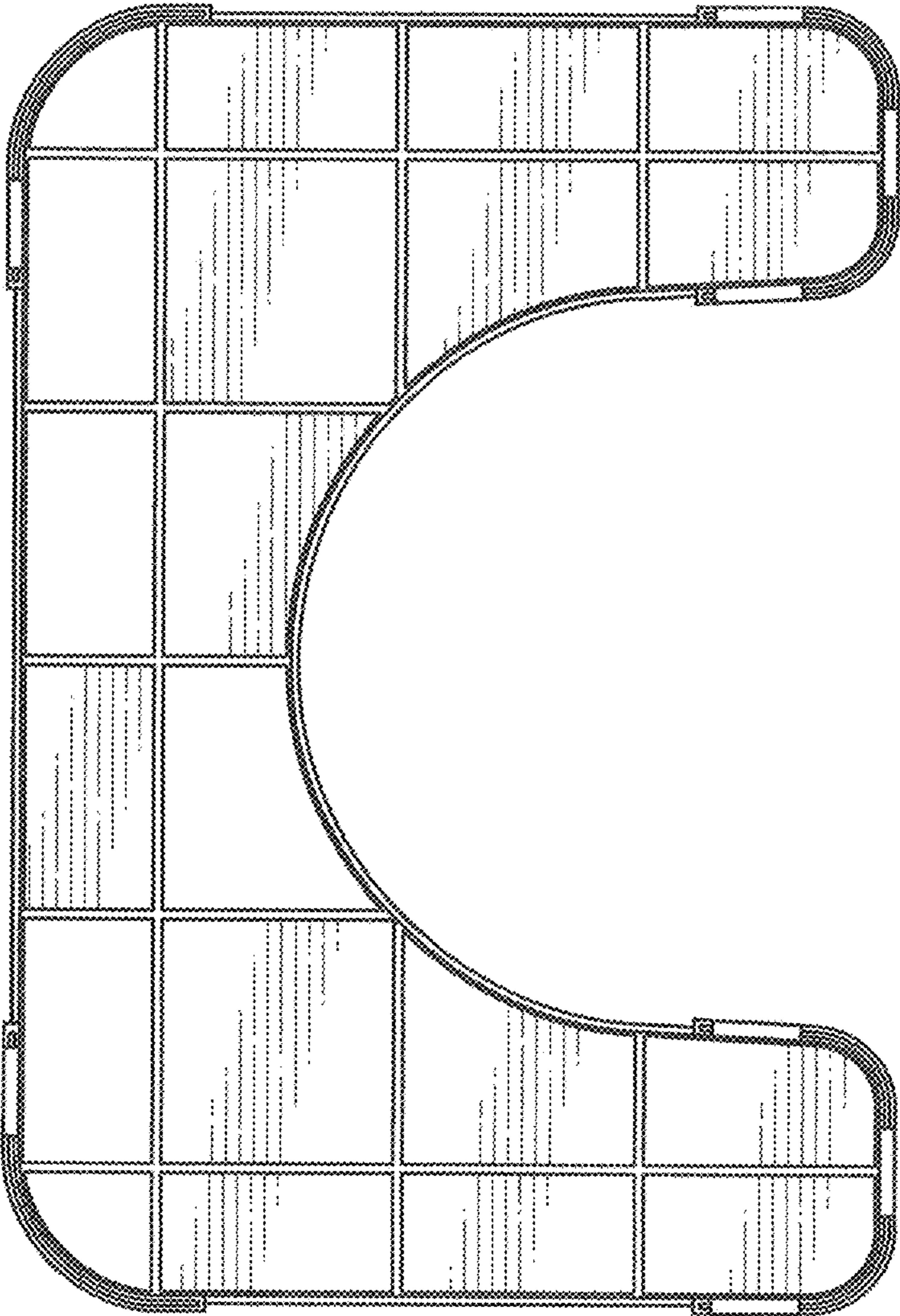


FIG. 11

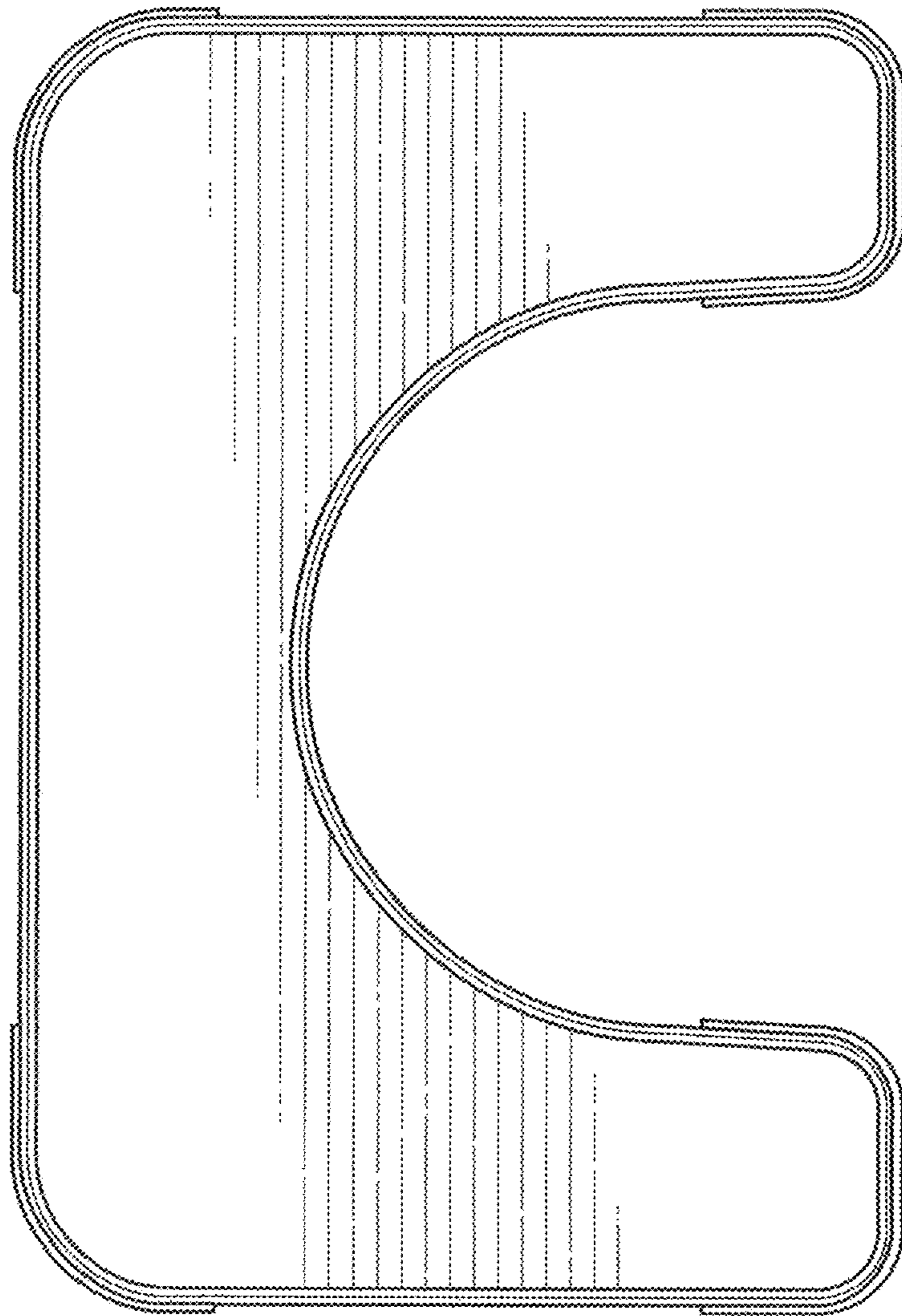


FIG. 12

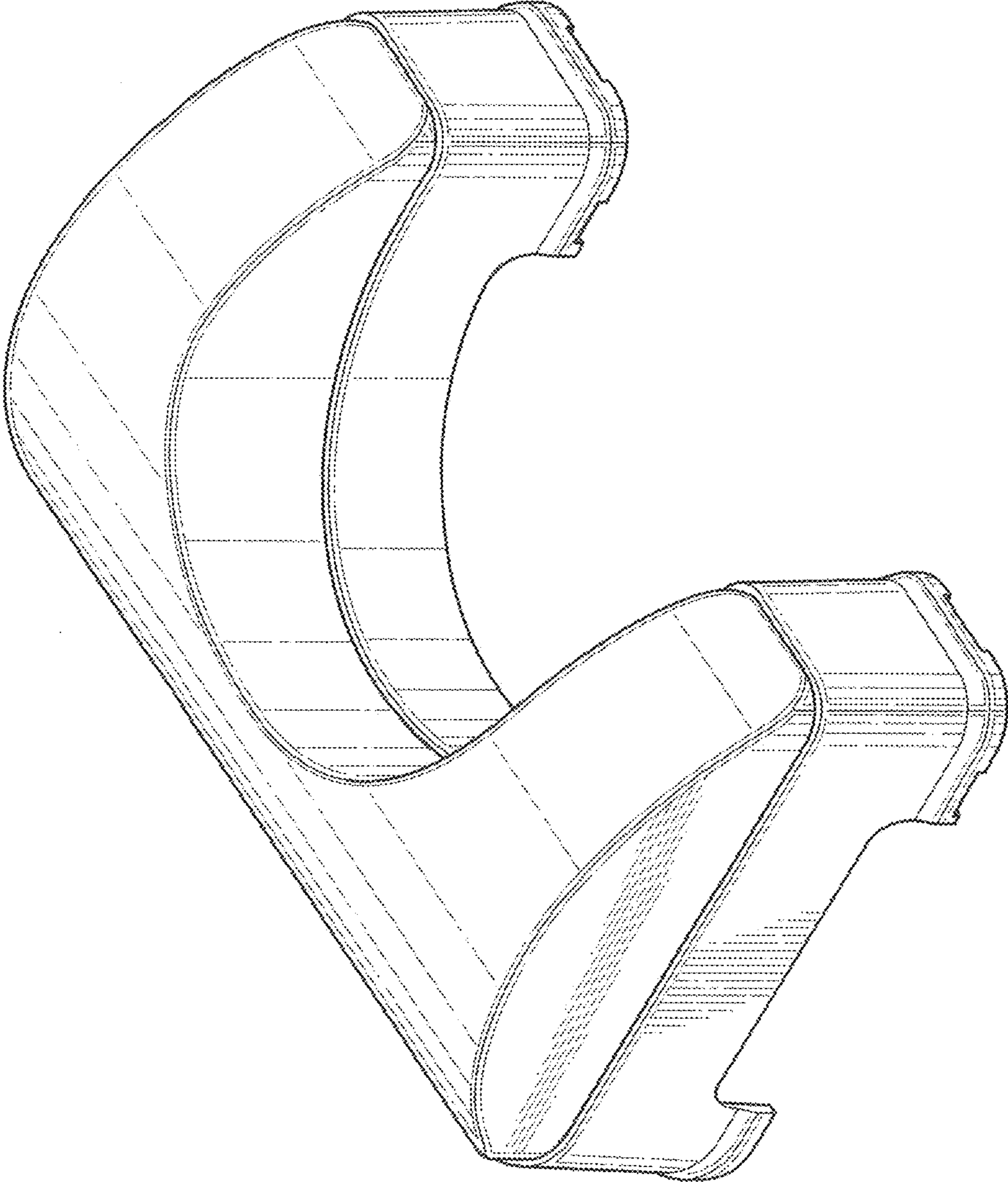


FIG. 13

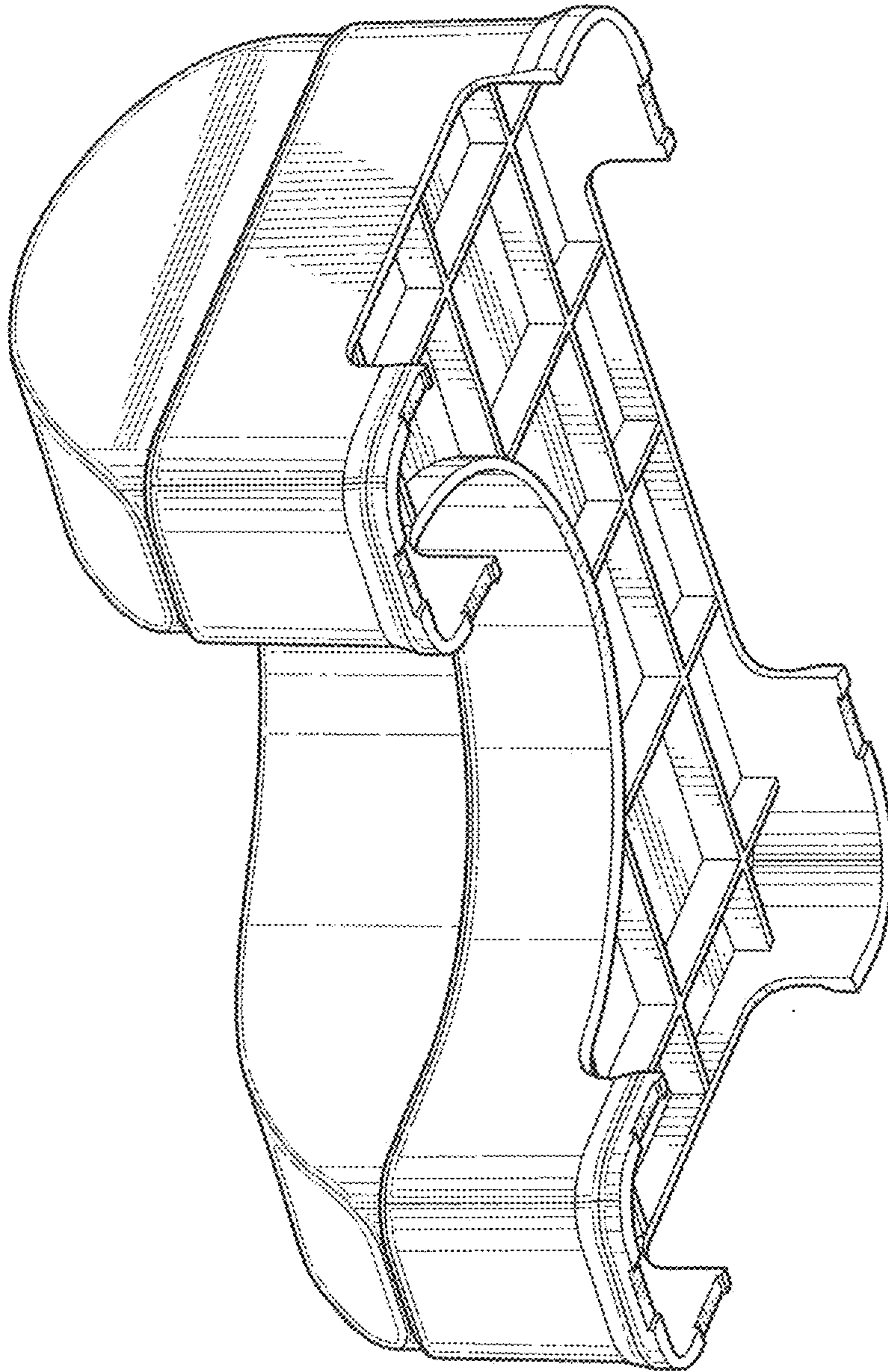


FIG. 14



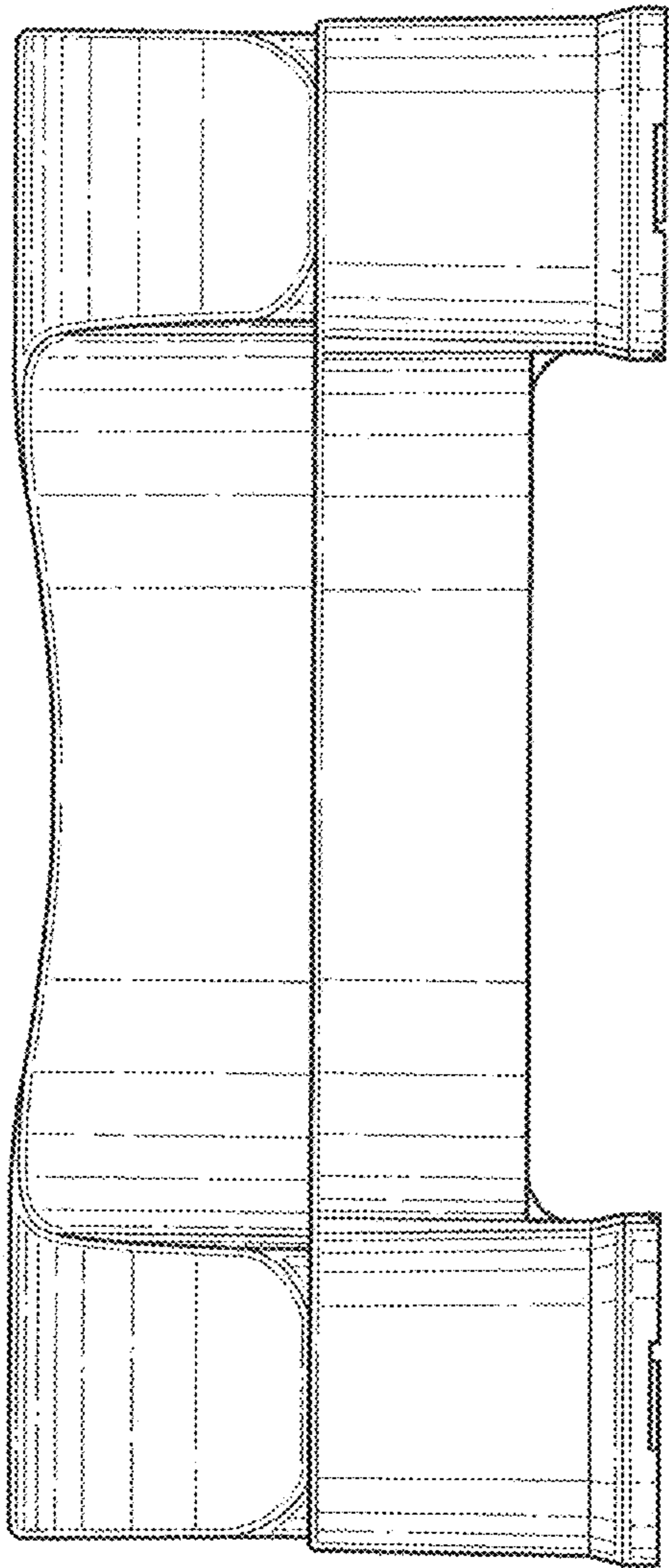


FIG. 15

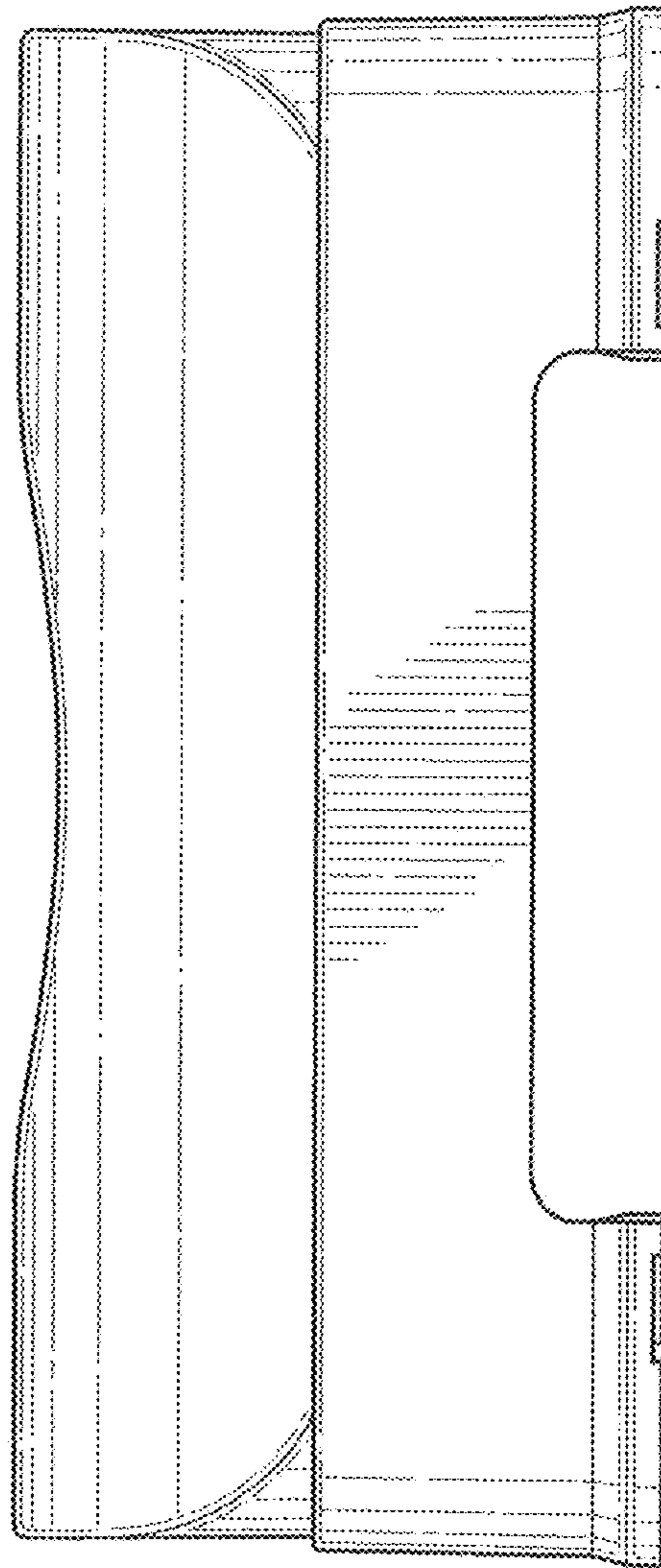


FIG. 16

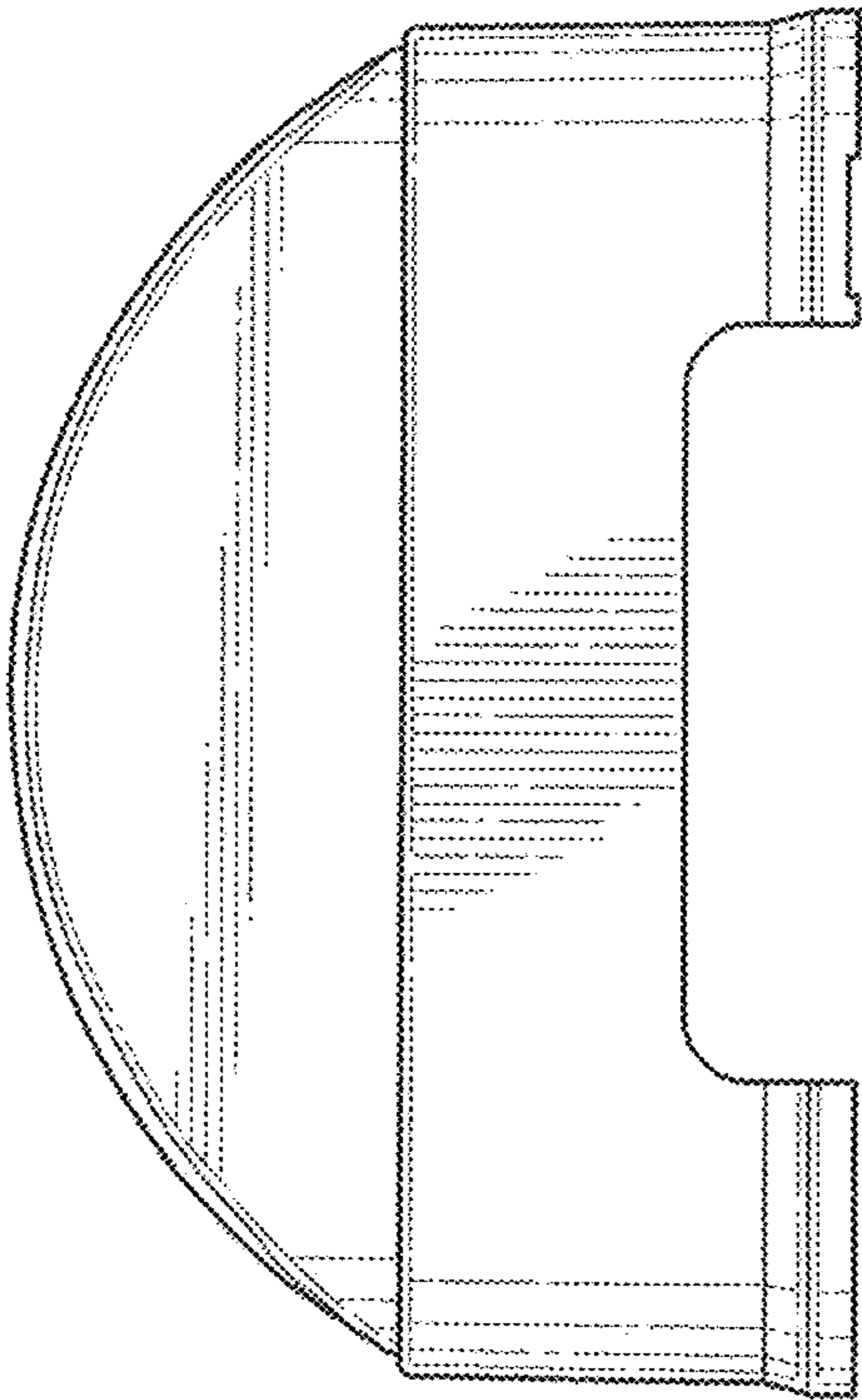


FIG. 17

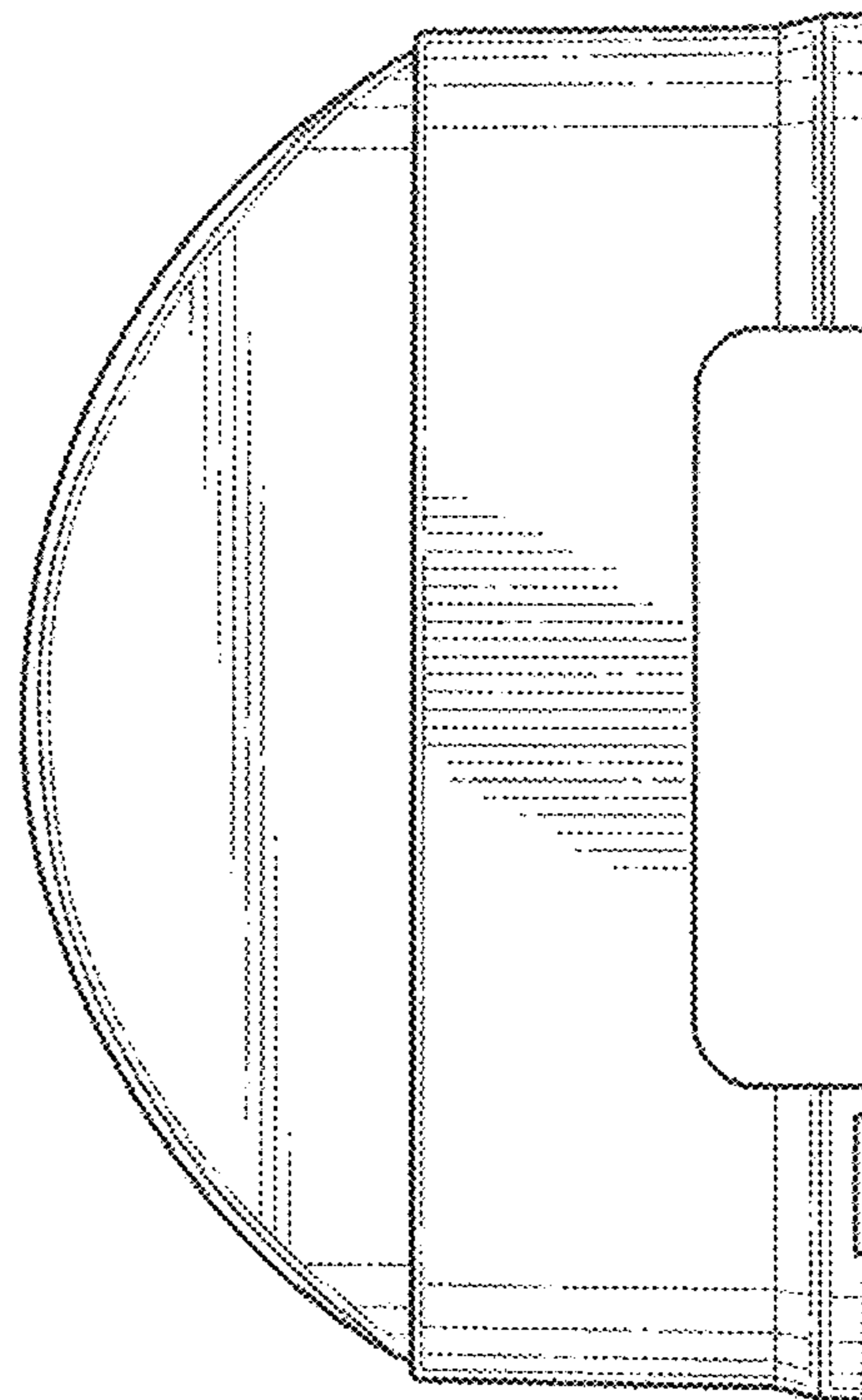


FIG. 18

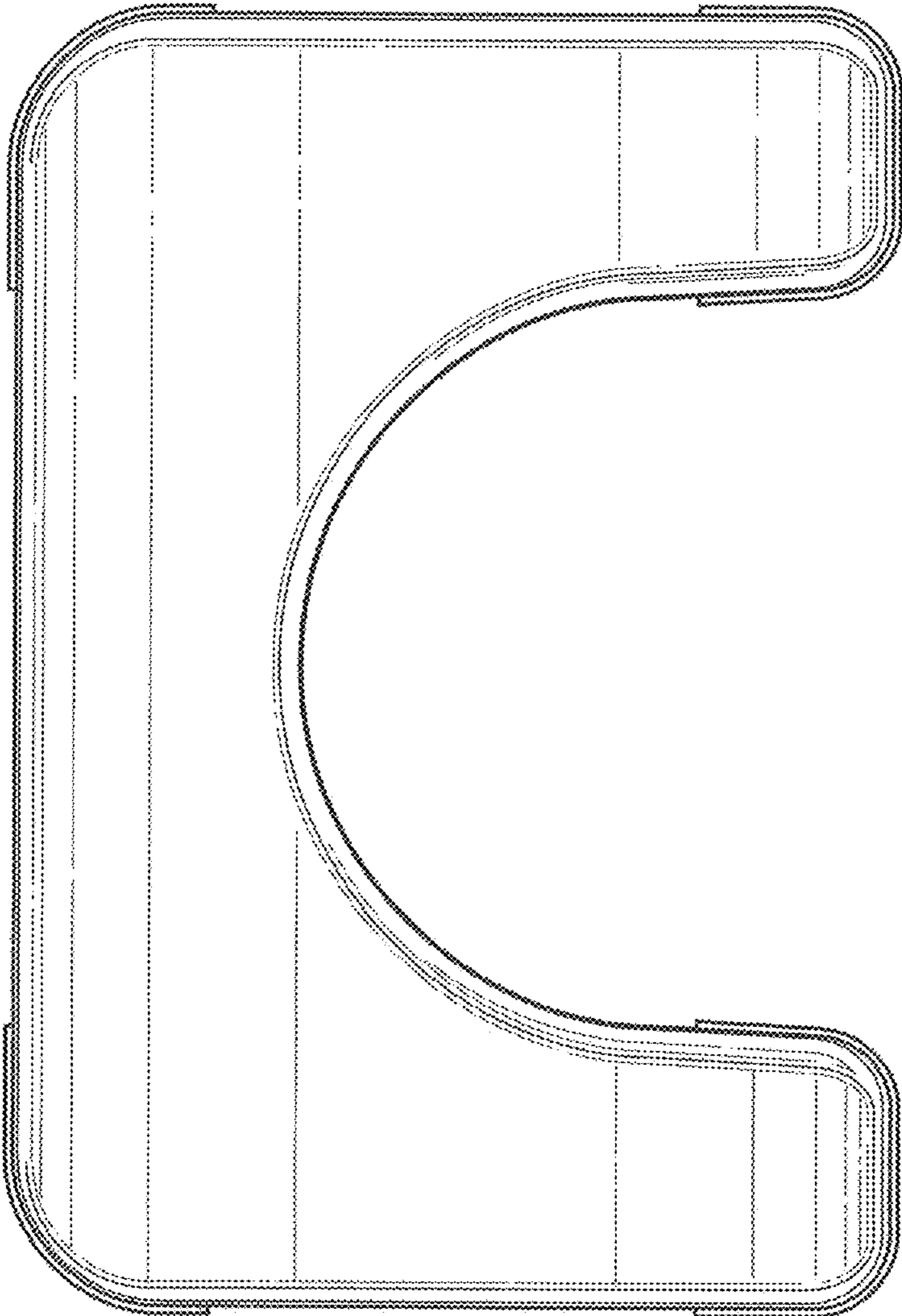


FIG. 19

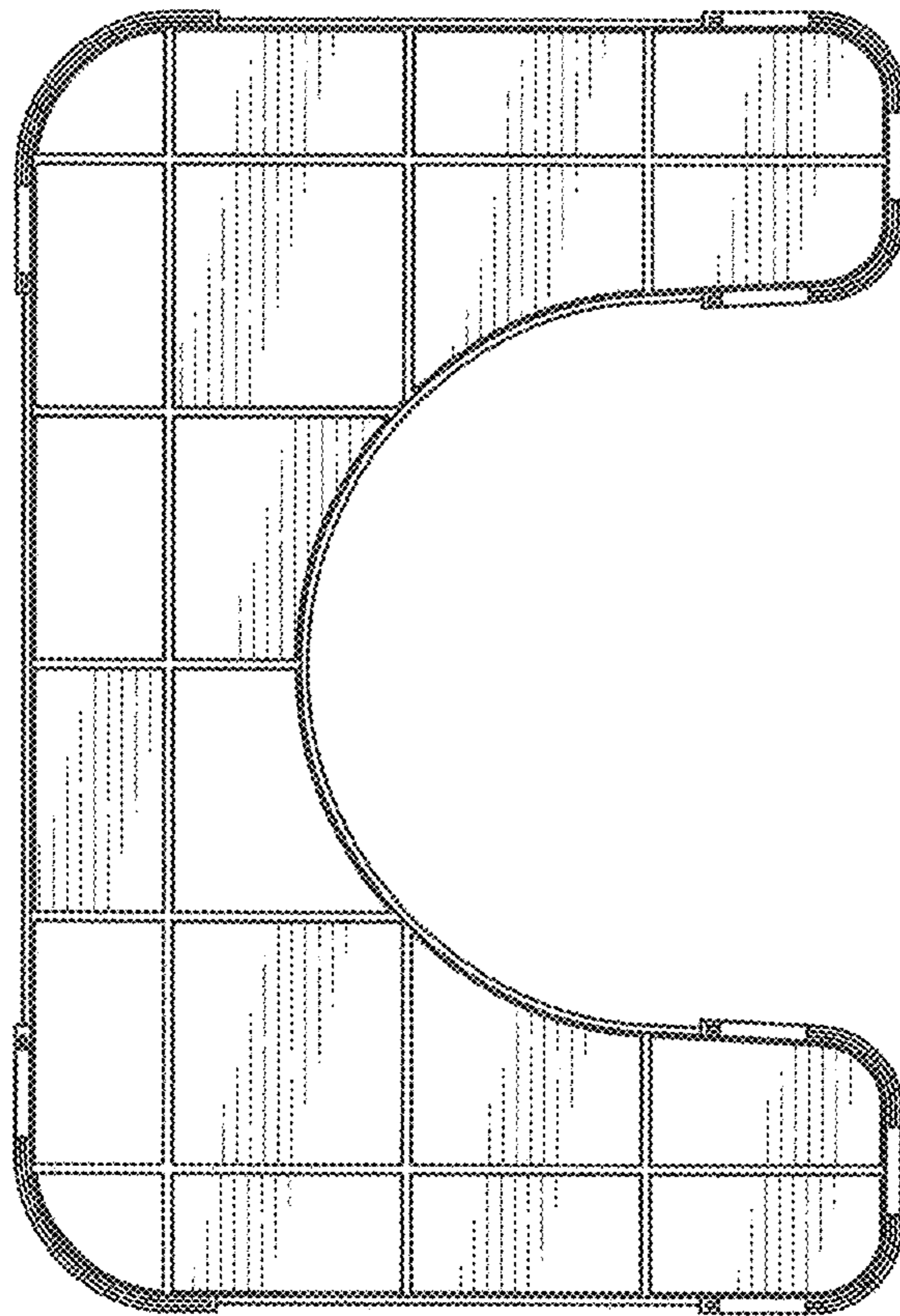


FIG. 20