



US00D919984S

(12) **United States Design Patent**
Yang

(10) **Patent No.:** **US D919,984 S**

(45) **Date of Patent:** **** May 25, 2021**

- (54) **MAKEUP MIRROR**
- (71) Applicant: **DONGGUAN POWERME PLASTIC MFG. CO., LTD.**, Dongguan (CN)
- (72) Inventor: **Guowei Yang**, Dongguan (CN)
- (73) Assignee: **DONGGUAN POWERME PLASTIC MFG. CO., LTD.**, Dongguan (CN)

D879,482 S	3/2020	Yang	
D891,121 S *	7/2020	Zhao	D6/308
D891,125 S *	7/2020	Liu	D6/310
D894,615 S *	9/2020	Yang	D6/309
D897,694 S *	10/2020	Lin	D6/309
D897,695 S *	10/2020	Yang	D6/309
D905,442 S *	12/2020	Yang	D6/310
D905,447 S *	12/2020	Yang	D6/310
10,869,537 B2 *	12/2020	Yang	F21V 33/004
10,895,977 B2 *	1/2021	Pestl	H04R 5/02

(**) Term: **15 Years**

* cited by examiner

(21) Appl. No.: **29/751,907**

Primary Examiner — Deanna L Pratt

(22) Filed: **Sep. 24, 2020**

(57) **CLAIM**

The ornamental design for a makeup mirror, as shown and described.

(51) **LOC (13) Cl.** **06-07**

(52) **U.S. Cl.**
USPC **D6/312**

DESCRIPTION

(58) **Field of Classification Search**
 USPC D6/300-314; D28/64.1-64.7
 CPC A47G 1/00; A47G 1/0633; A47G 1/0622;
 A47G 1/04; A47G 2200/08; A47G
 2200/085; A45D 42/20
 See application file for complete search history.

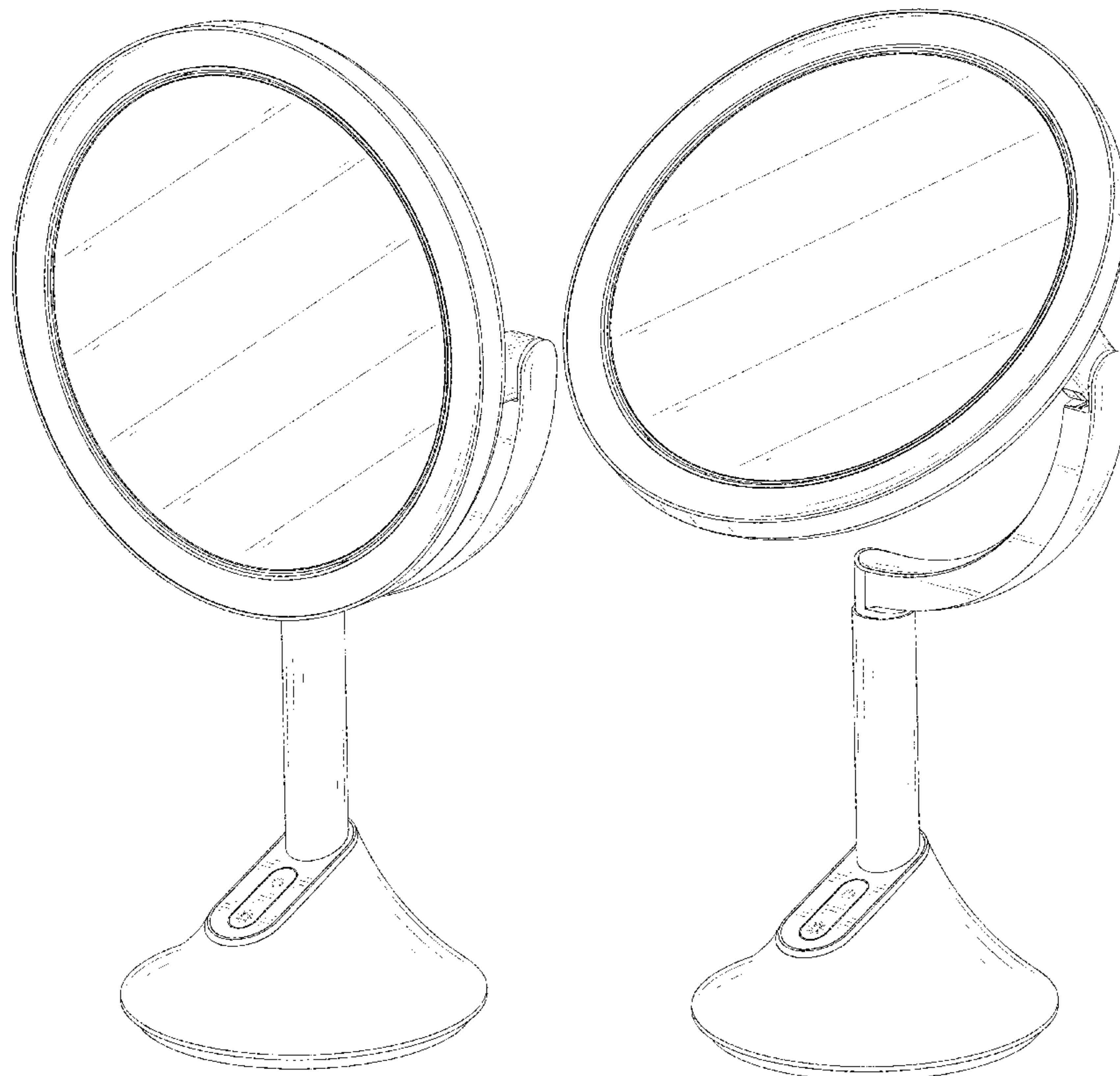
FIG. 1 is a perspective view of a makeup mirror showing my new design;
 FIG. 2 is another perspective view thereof;
 FIG. 3 is a front elevational view thereof;
 FIG. 4 is a rear elevational view thereof;
 FIG. 5 is a left side elevational view thereof;
 FIG. 6 is a right side elevational view thereof;
 FIG. 7 is a top plan view thereof;
 FIG. 8 is a bottom plan view thereof; and,
 FIG. 9 is a perspective view of the makeup mirror where the makeup mirror is in a configuration of use.
 The broken lines in the drawings depict portions of the makeup mirror that form no part of the claimed design.

(56) **References Cited**

U.S. PATENT DOCUMENTS

D649,790 S *	12/2011	Pitot	D6/309
D652,220 S *	1/2012	Pitot	D6/309
D730,065 S *	5/2015	Tsai	D6/310
D874,162 S *	2/2020	Greenwait	D6/310
D879,481 S	3/2020	Yang	

1 Claim, 9 Drawing Sheets



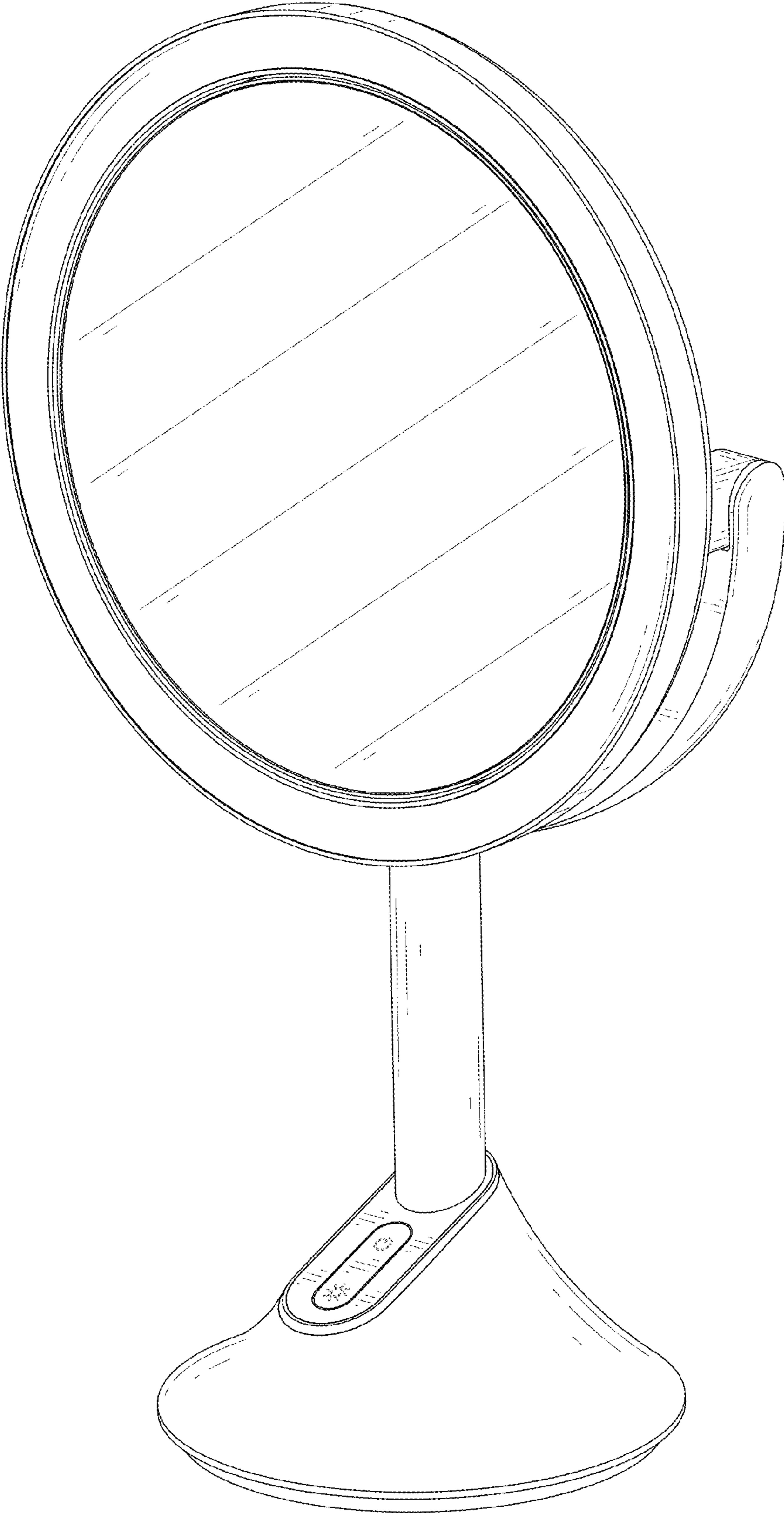


FIG. 1

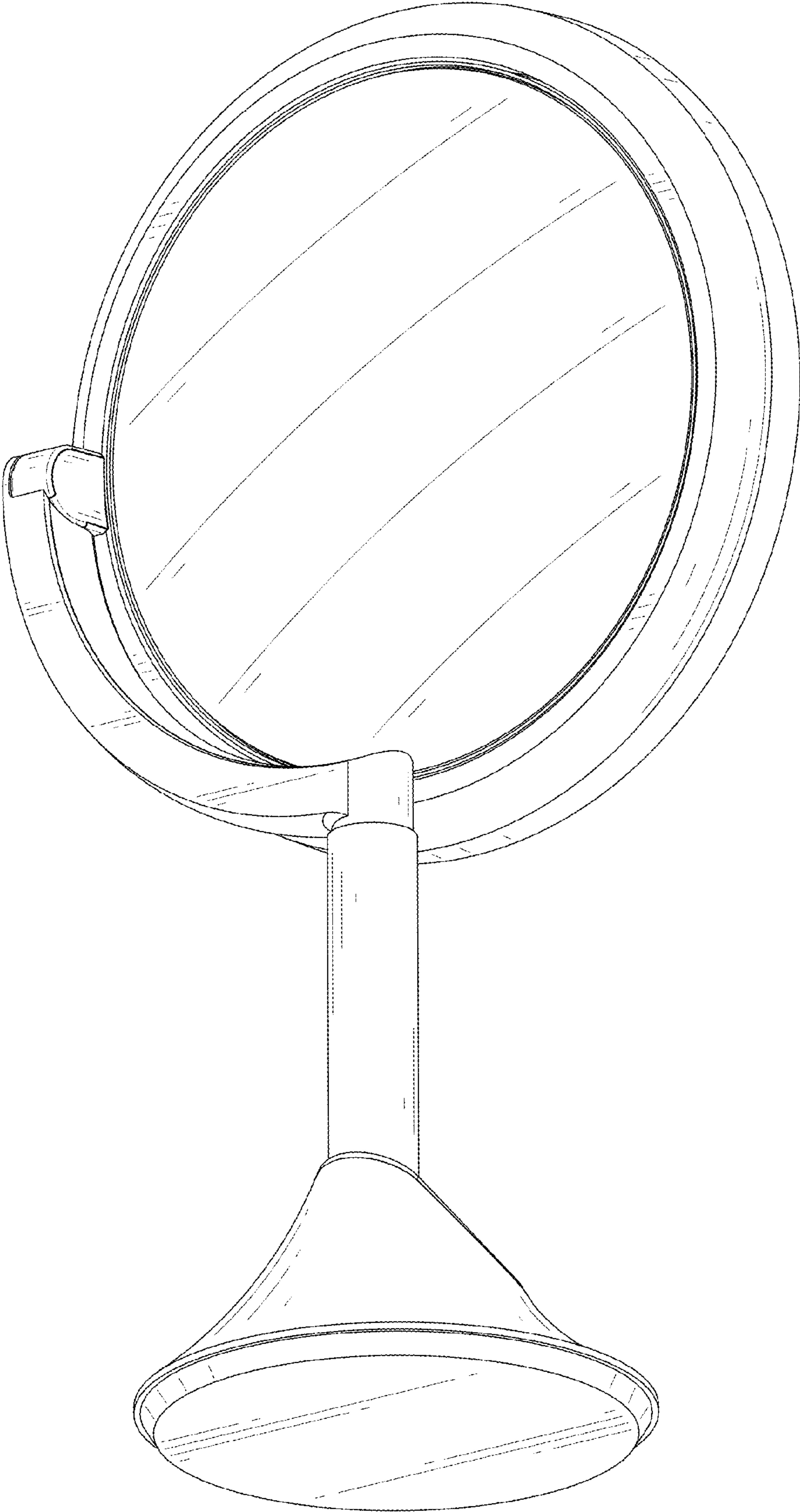


FIG. 2

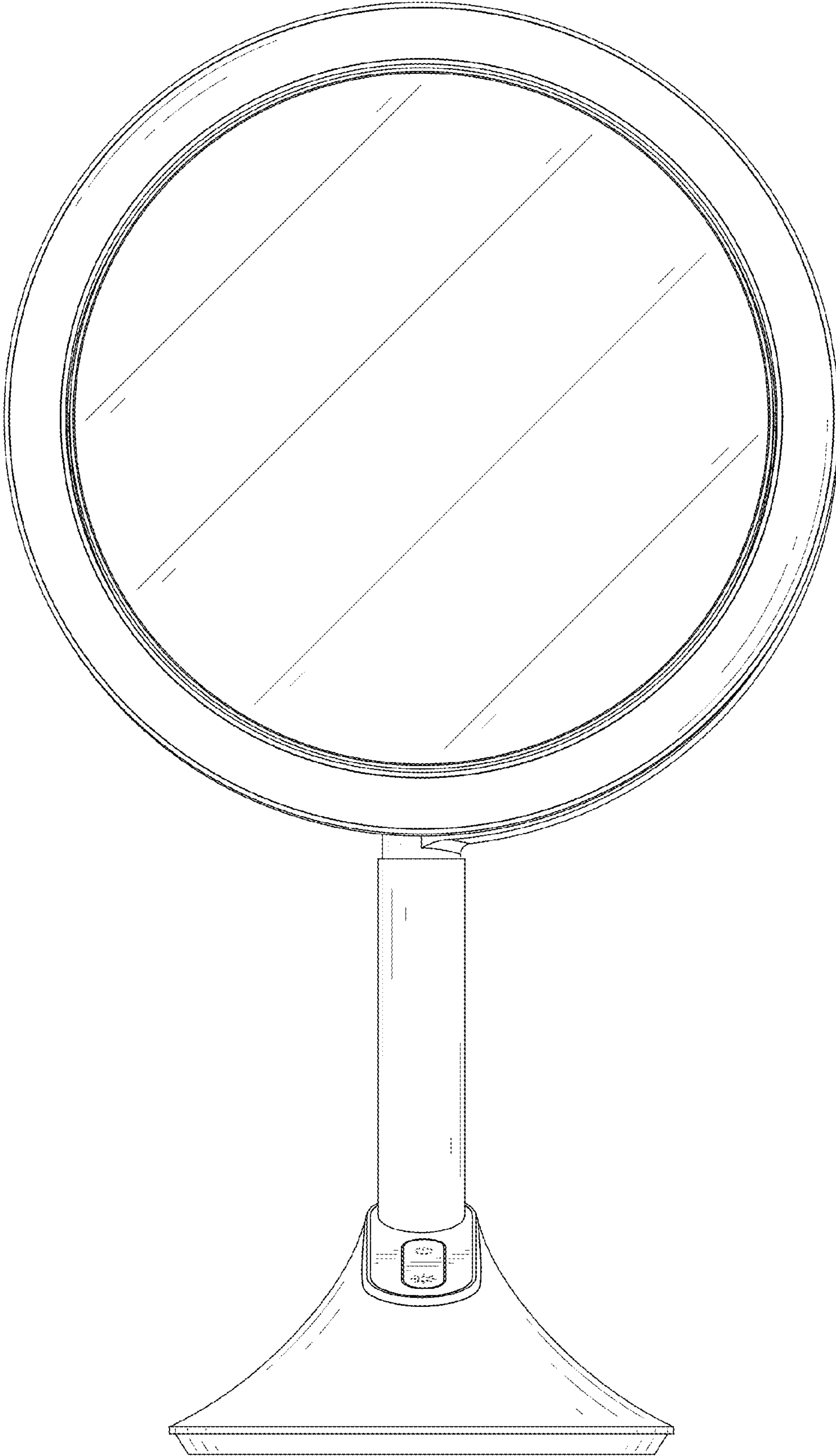


FIG. 3

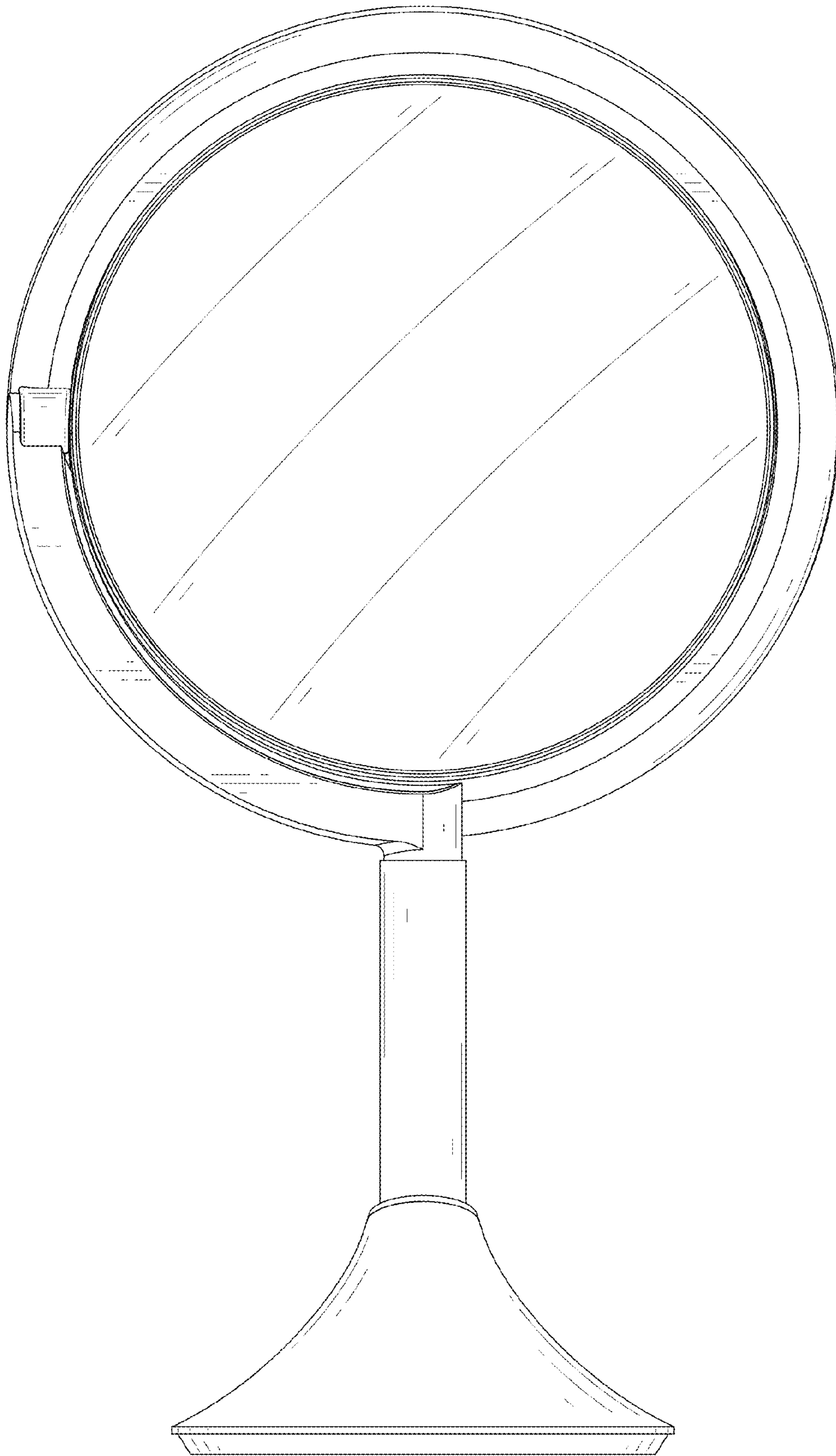


FIG. 4

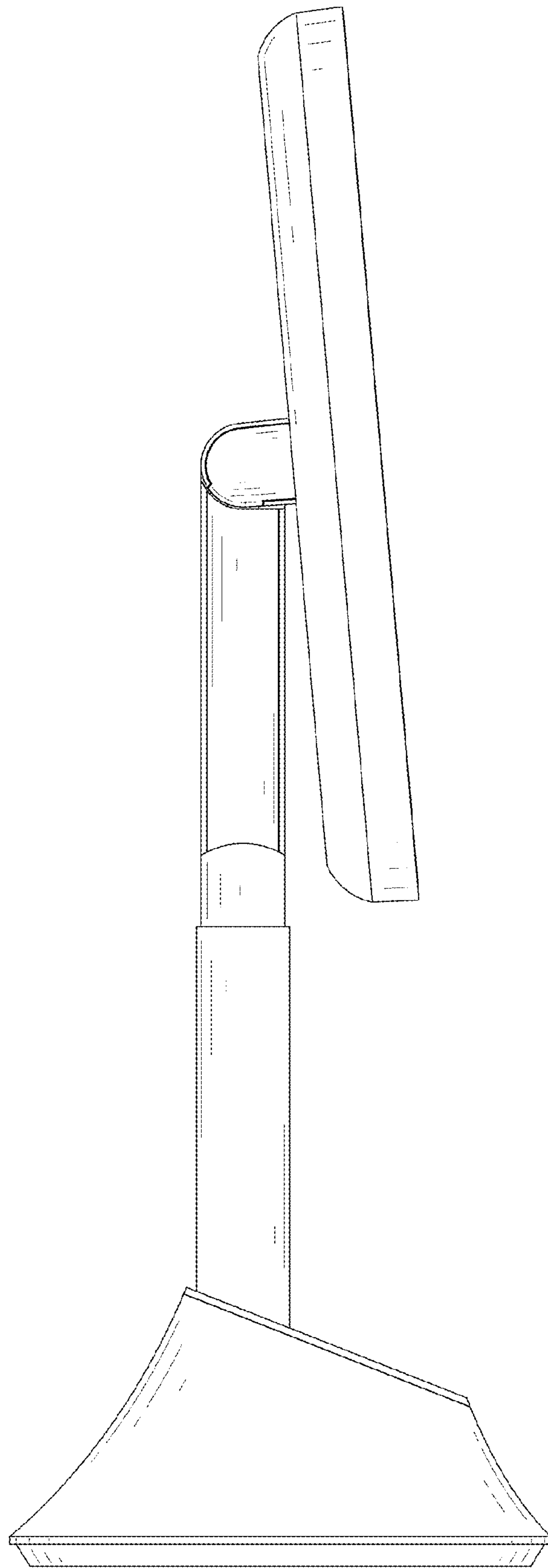


FIG. 5

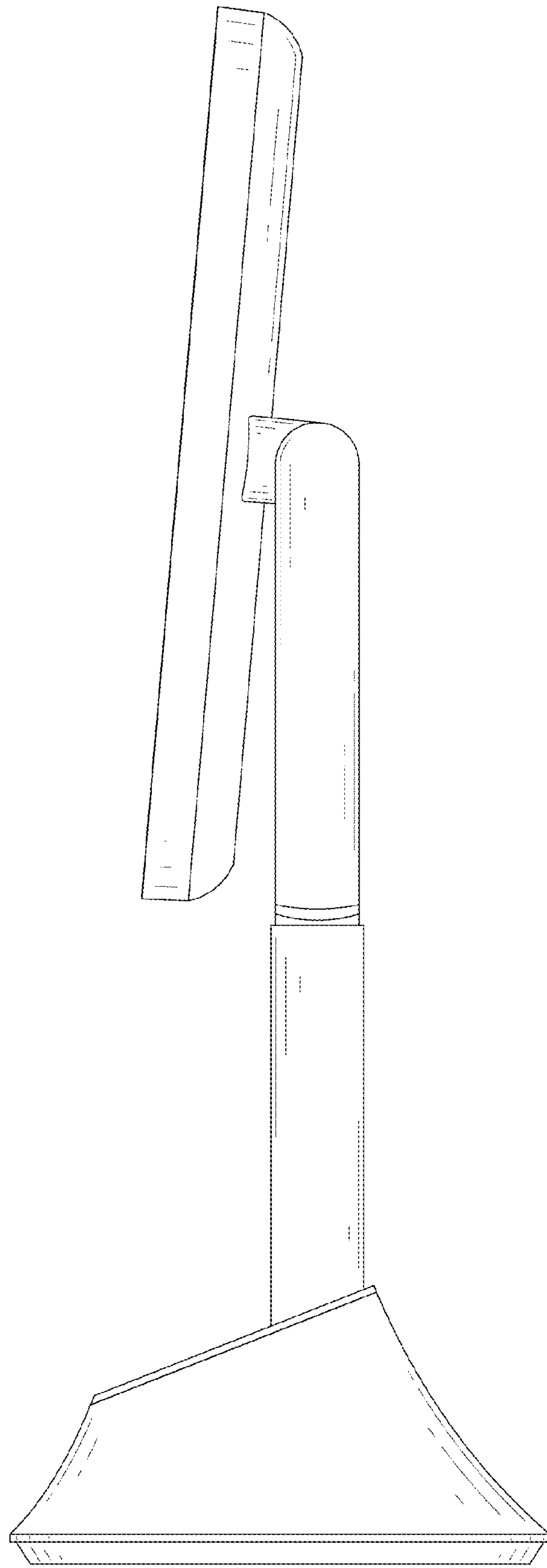


FIG. 6

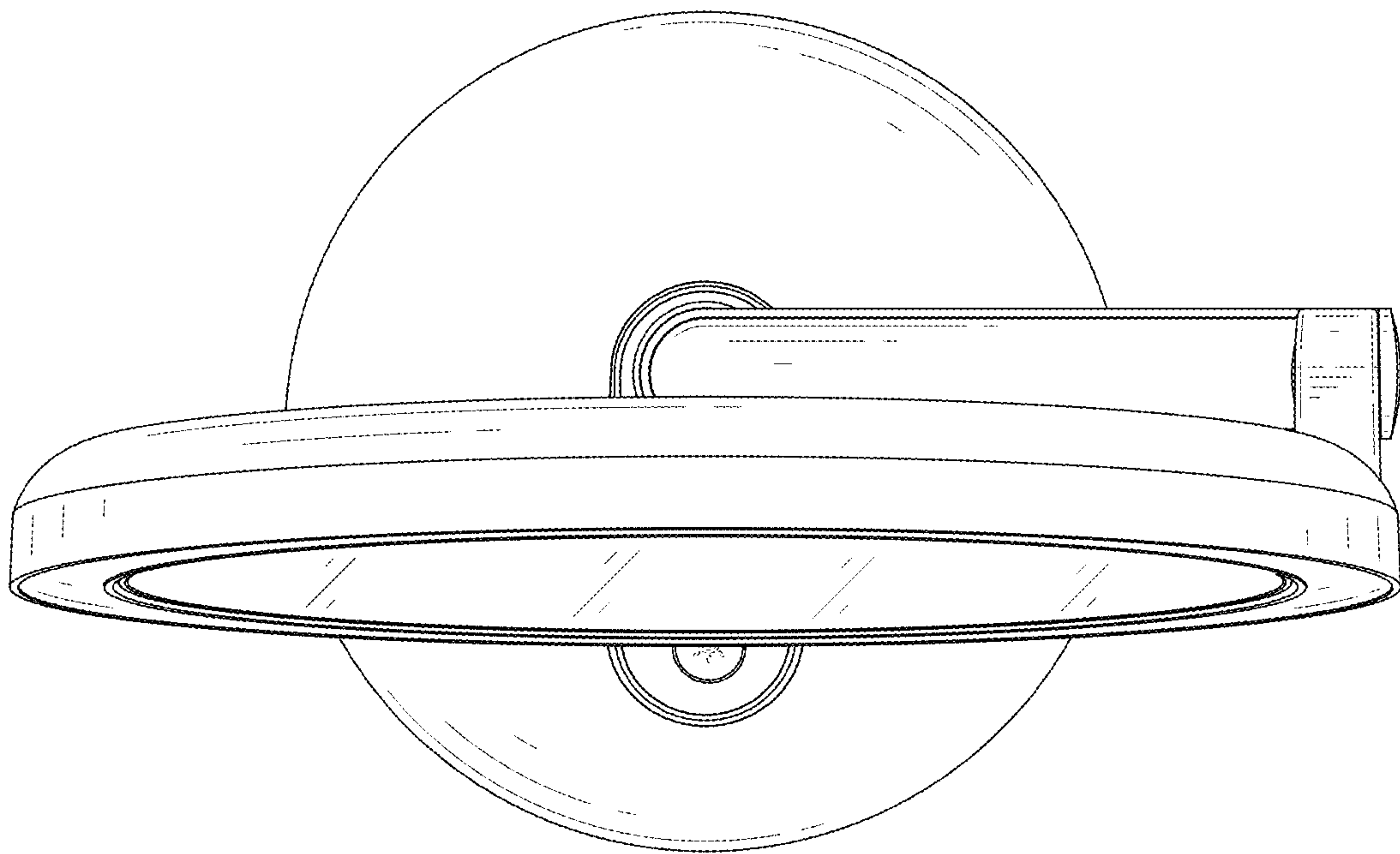


FIG. 7

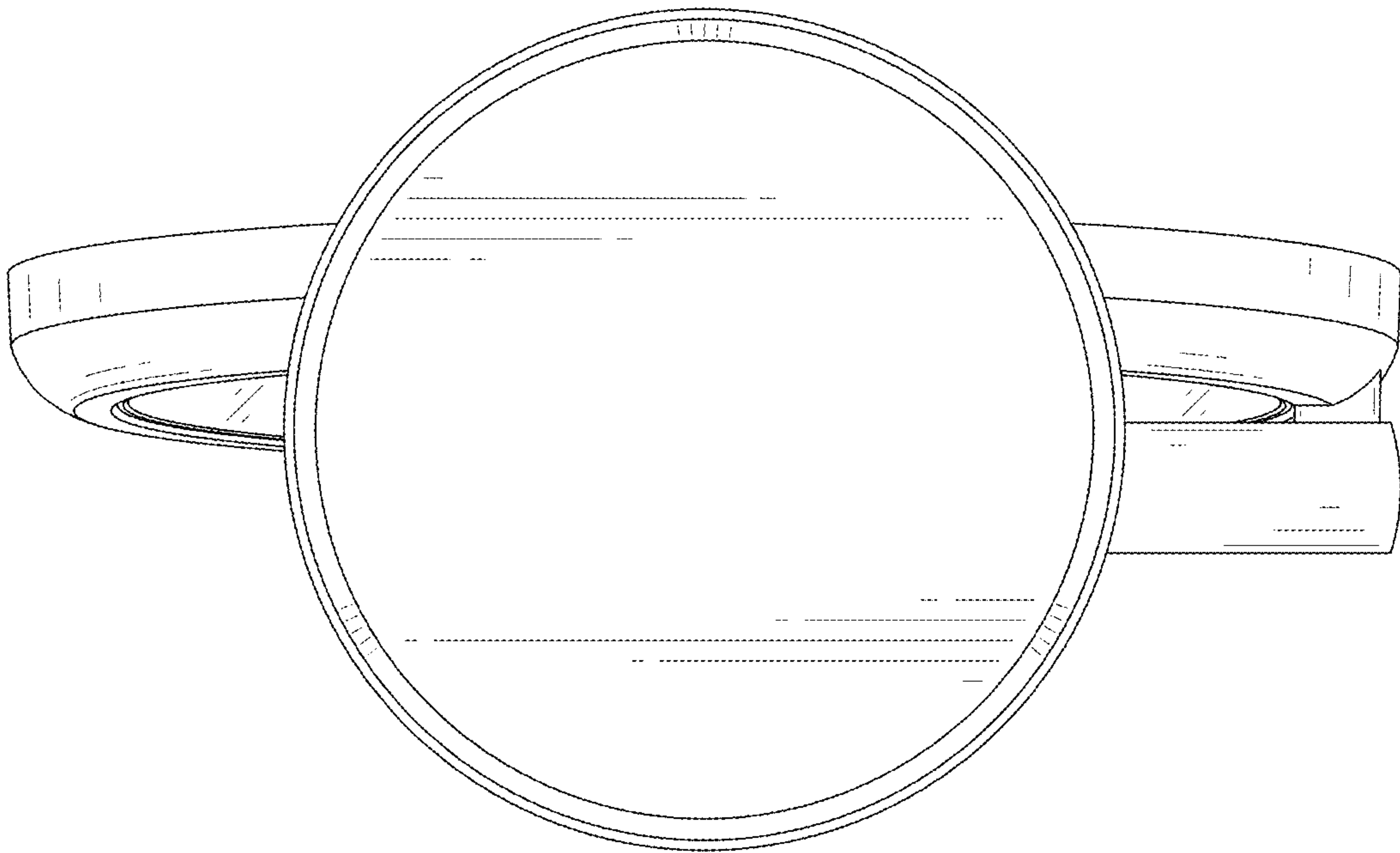


FIG. 8

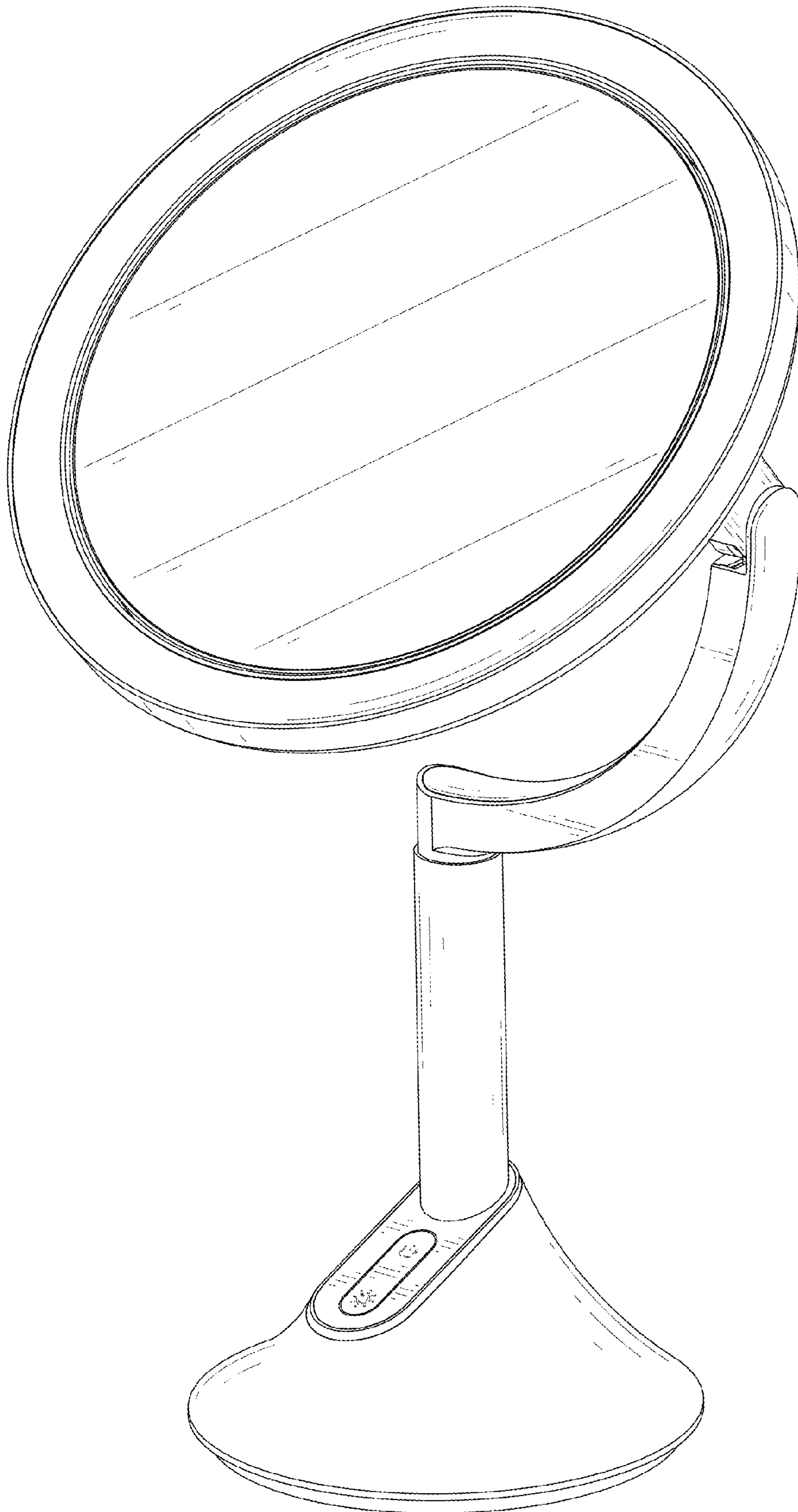


FIG. 9