



US00D919983S

(12) **United States Design Patent**
Yang

(10) **Patent No.:** **US D919,983 S**

(45) **Date of Patent:** **** May 25, 2021**

(54) **MAKEUP MIRROR**

(71) Applicant: **DONGGUAN POWERME PLASTIC MFG. CO., LTD.**, Dongguan (CN)

(72) Inventor: **Guowei Yang**, Dongguan (CN)

(73) Assignee: **DONGGUAN POWERME PLASTIC MFG. CO., LTD.**, Dongguan (CN)

(**) Term: **15 Years**

(21) Appl. No.: **29/751,888**

(22) Filed: **Sep. 24, 2020**

(51) **LOC (13) Cl.** **06-07**

(52) **U.S. Cl.**
USPC **D6/312**

(58) **Field of Classification Search**
USPC D6/300-314; D28/64.1-64.7
CPC A47G 1/00; A47G 1/0633; A47G 1/0622;
A47G 1/04; A47G 2200/08; A47G
2200/085; A45D 42/20
See application file for complete search history.

(56) **References Cited**

U.S. PATENT DOCUMENTS

D737,059 S * 8/2015 Tsai D6/300
D737,580 S * 9/2015 Tsai D6/300

D751,829 S * 3/2016 Yang D6/309
D802,942 S * 11/2017 Nikolov D6/300
D832,599 S * 11/2018 Zadro D6/309
D874,162 S * 2/2020 Greenwalt D6/310
D879,481 S 3/2020 Yang
D885,769 S * 6/2020 Wang D6/309

* cited by examiner

Primary Examiner — Deanna L Pratt

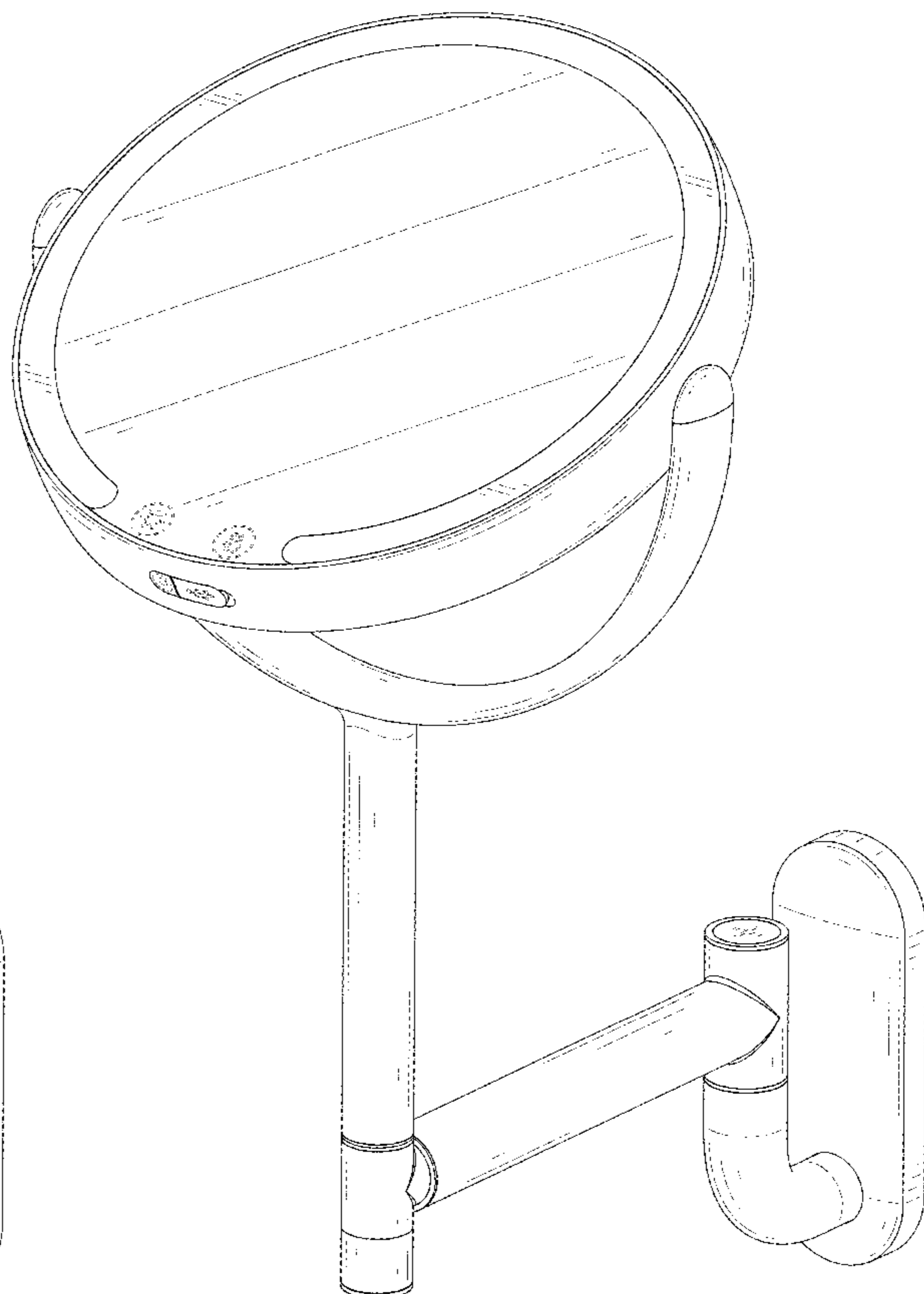
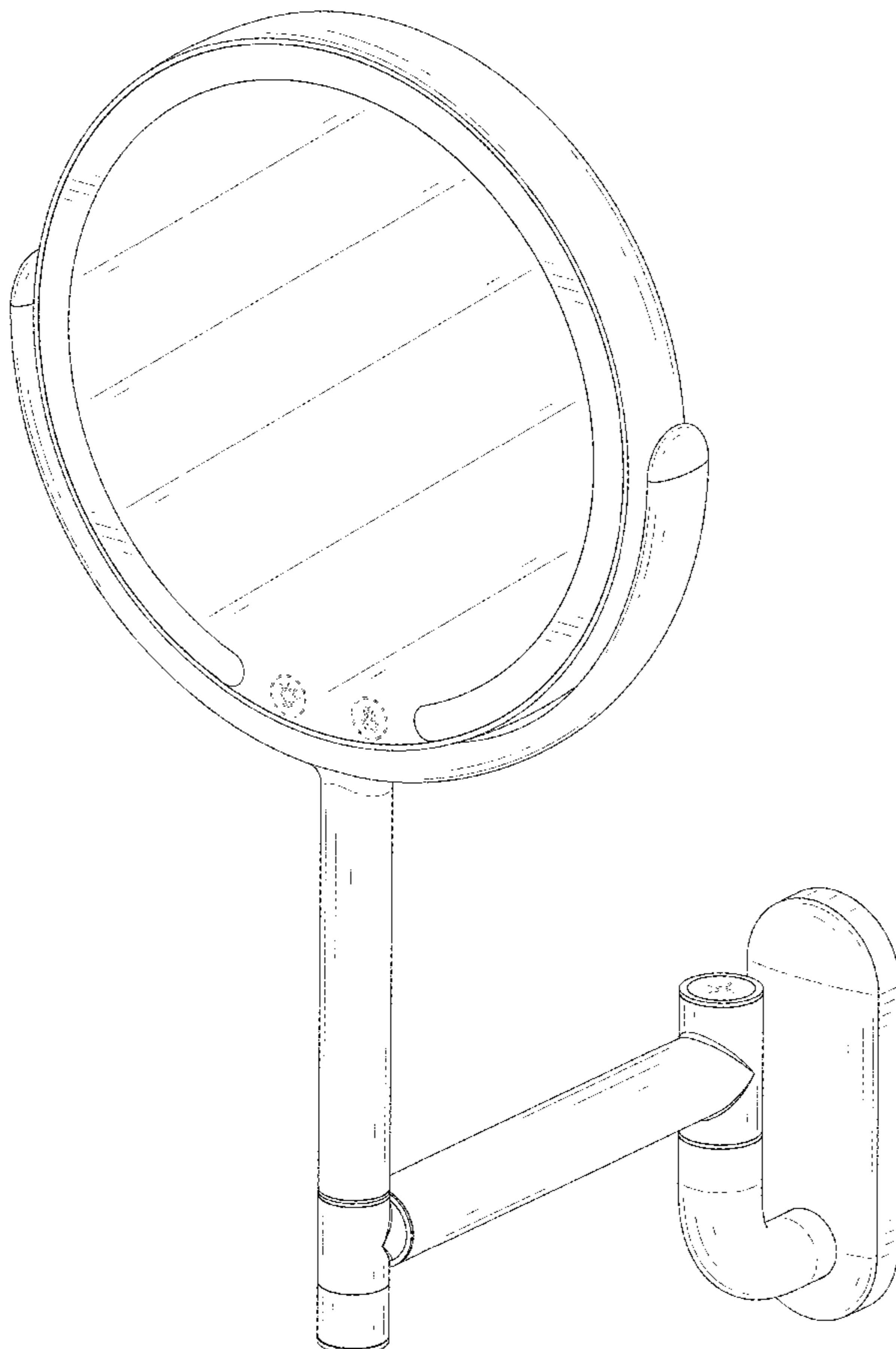
(57) **CLAIM**

The ornamental design for a makeup mirror, as shown and described.

DESCRIPTION

FIG. 1 is a perspective view of a makeup mirror showing my new design;
FIG. 2 is another perspective view thereof;
FIG. 3 is a front elevational view thereof;
FIG. 4 is a rear elevational view thereof;
FIG. 5 is a left side elevational view thereof;
FIG. 6 is a right side elevational view thereof;
FIG. 7 is a top plan view thereof;
FIG. 8 is a bottom plan view thereof; and,
FIG. 9 is a perspective view of the makeup mirror where the makeup mirror is in a configuration of use.
The broken lines in the drawings depict portions of the makeup mirror that form no part of the claimed design.

1 Claim, 9 Drawing Sheets



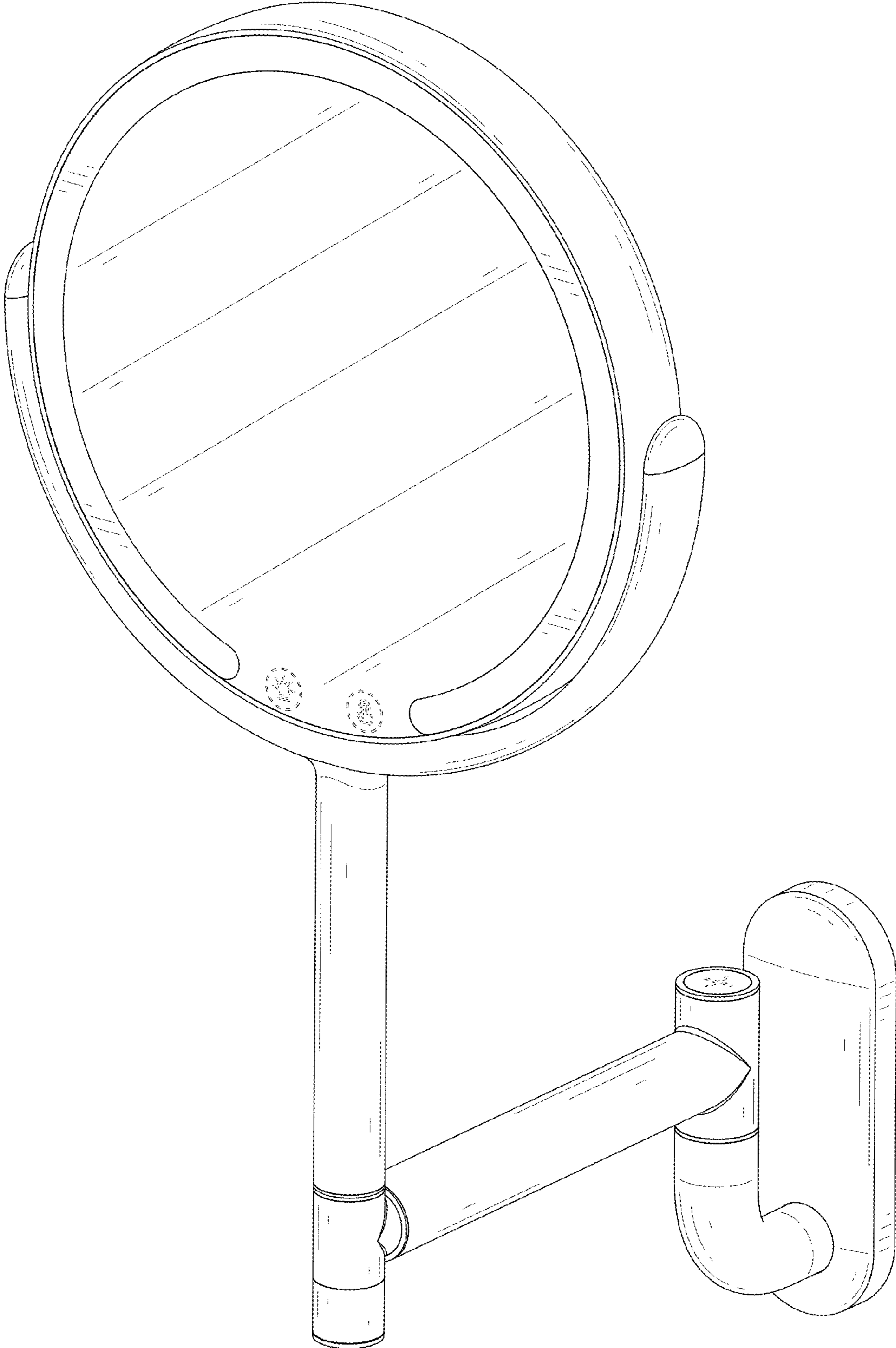


FIG. 1

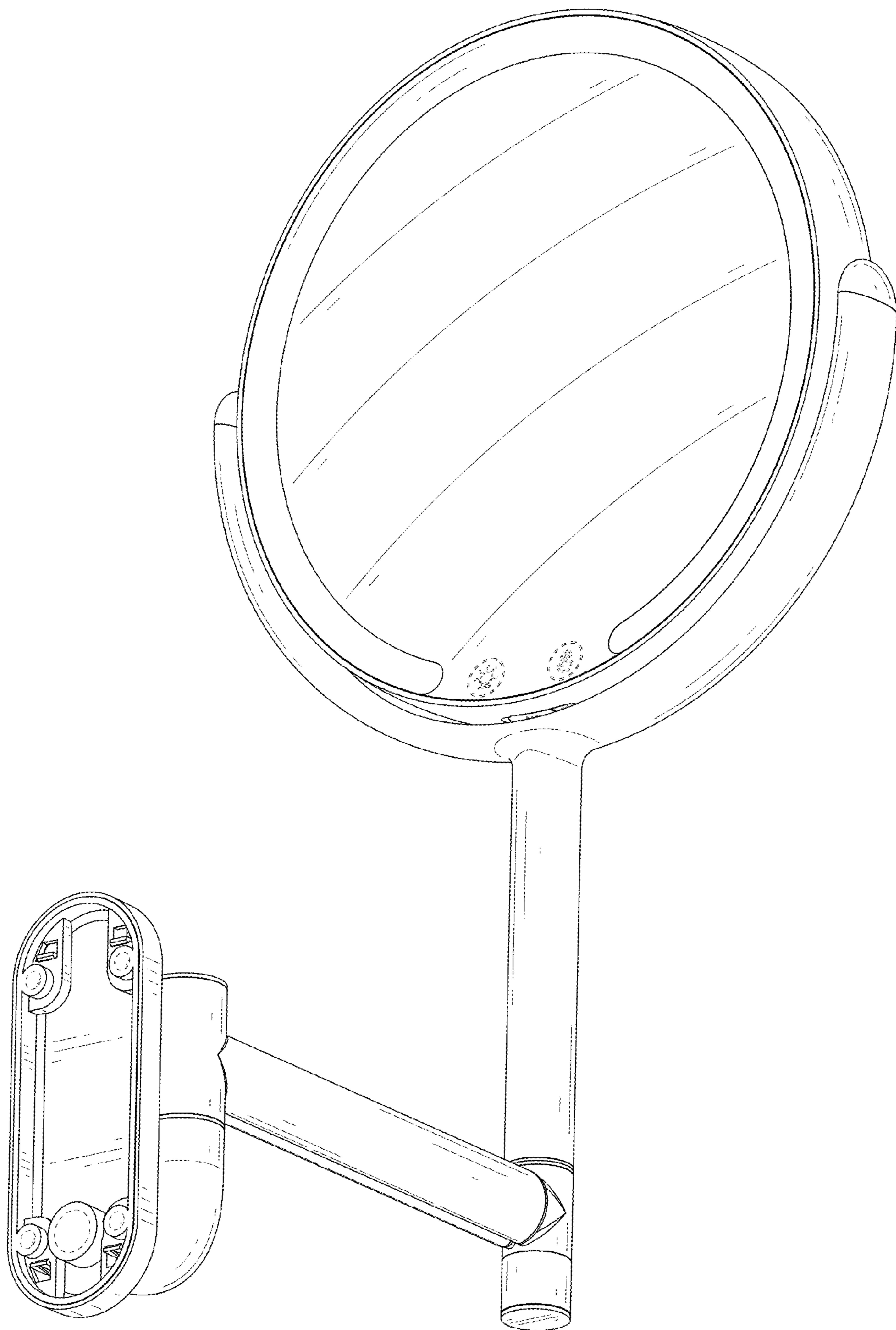


FIG. 2

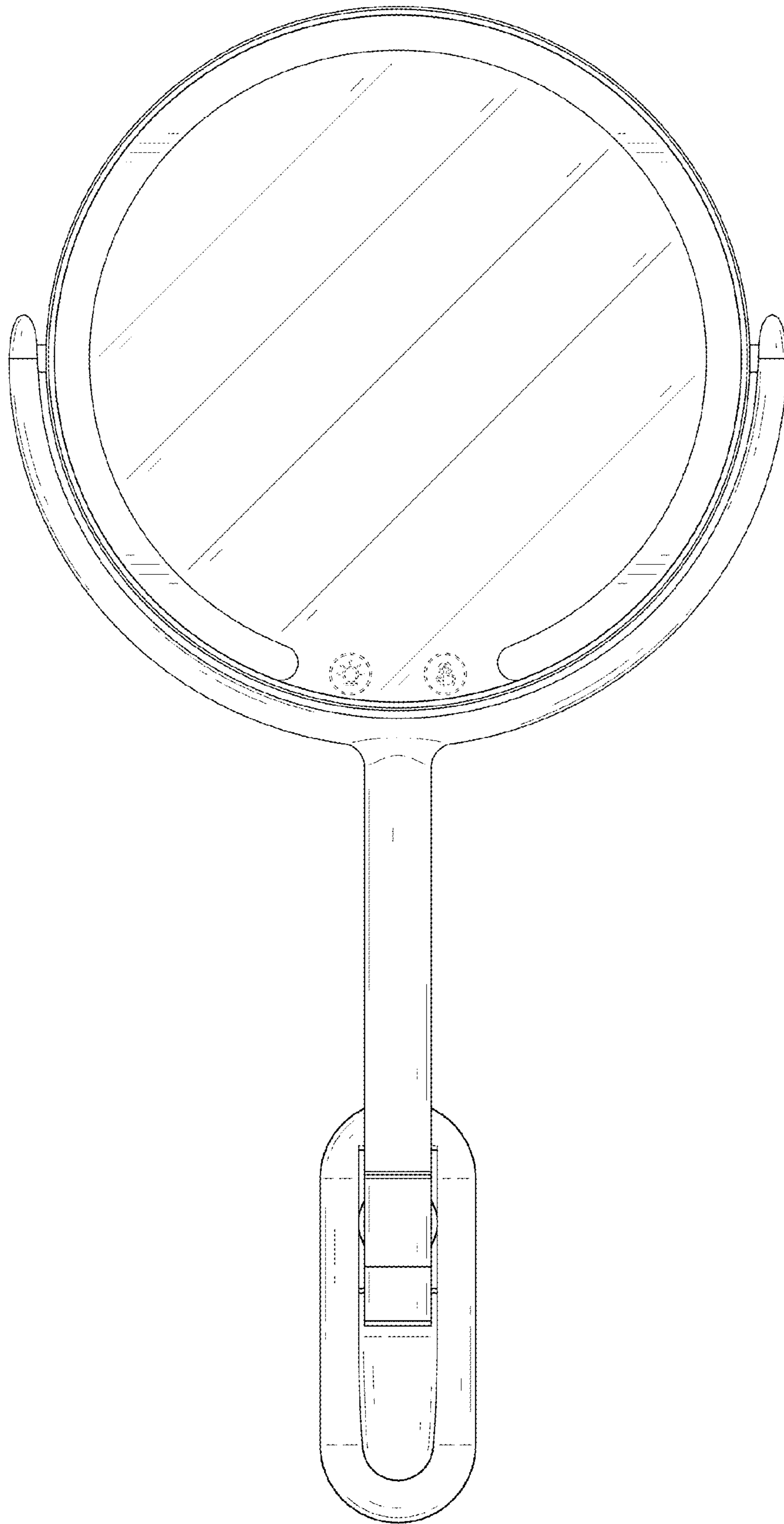


FIG. 3

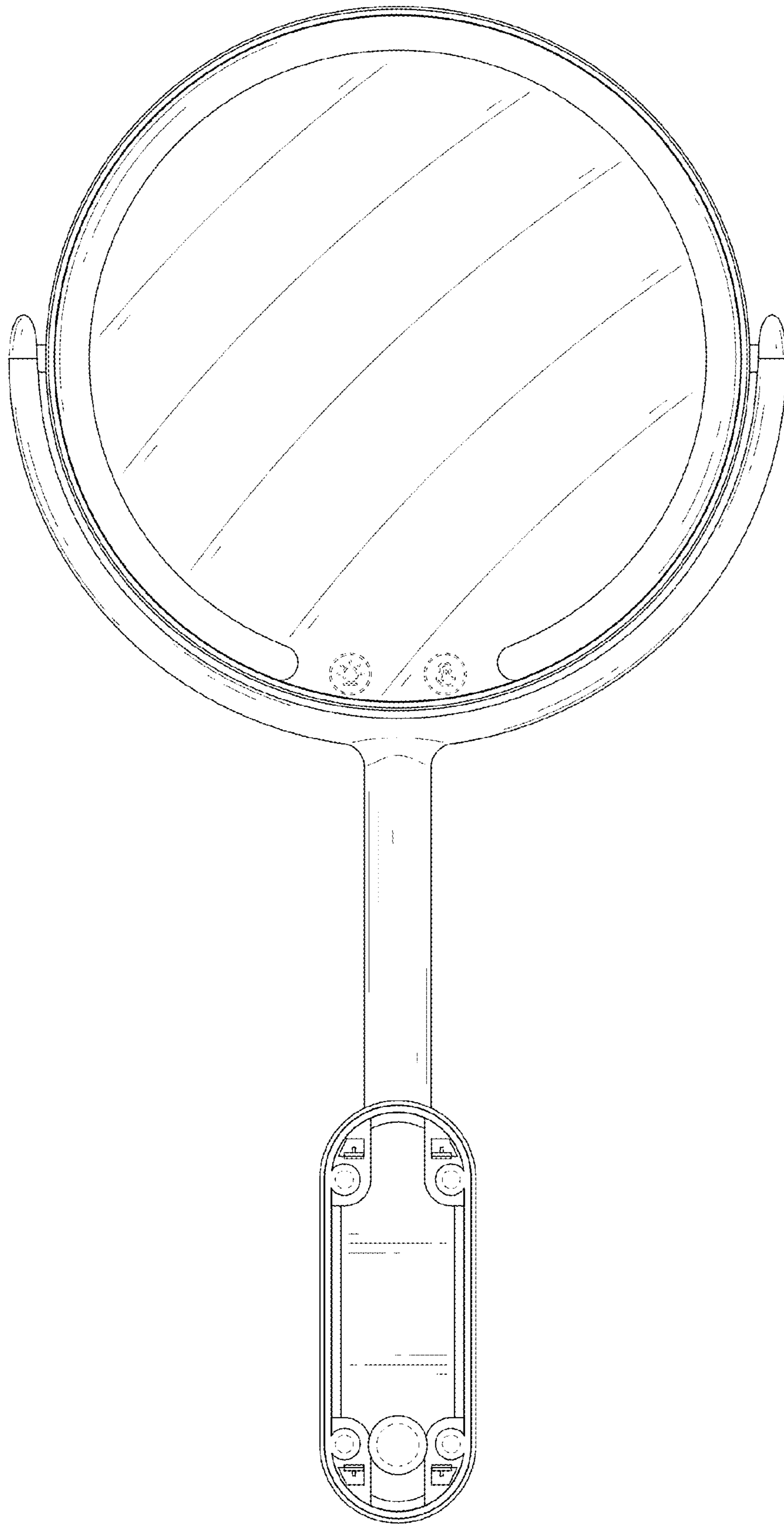


FIG. 4

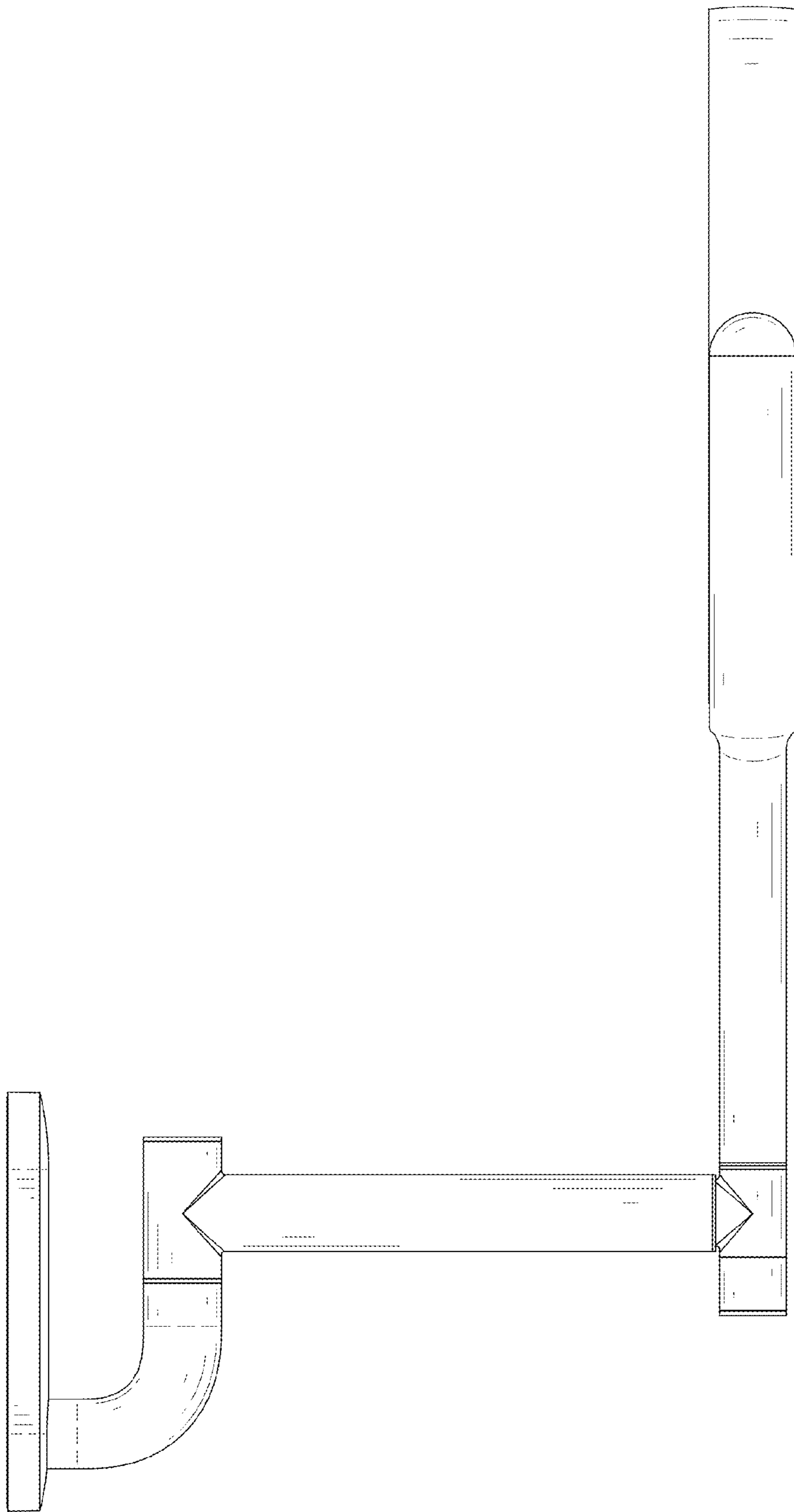


FIG. 5

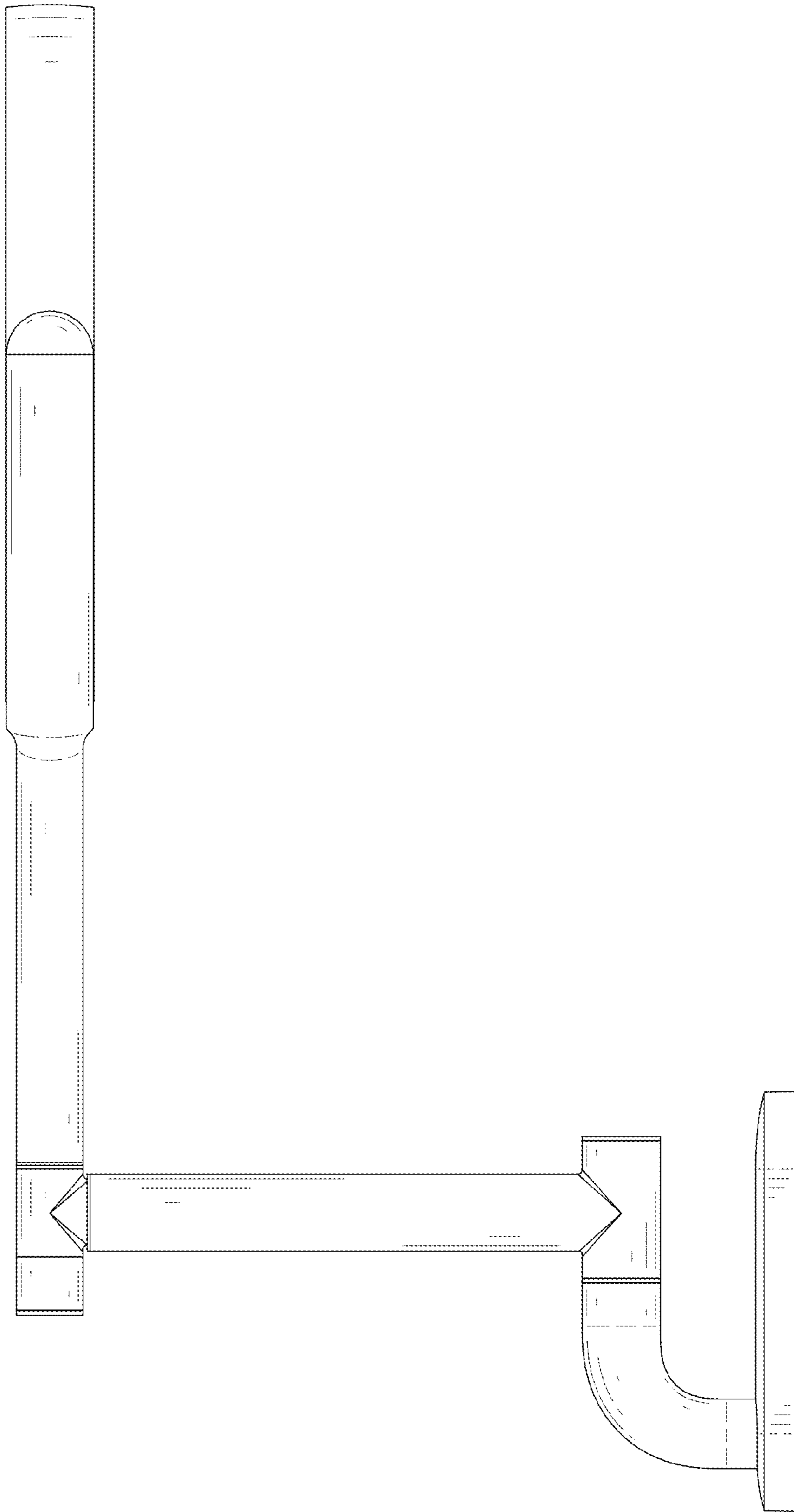


FIG. 6

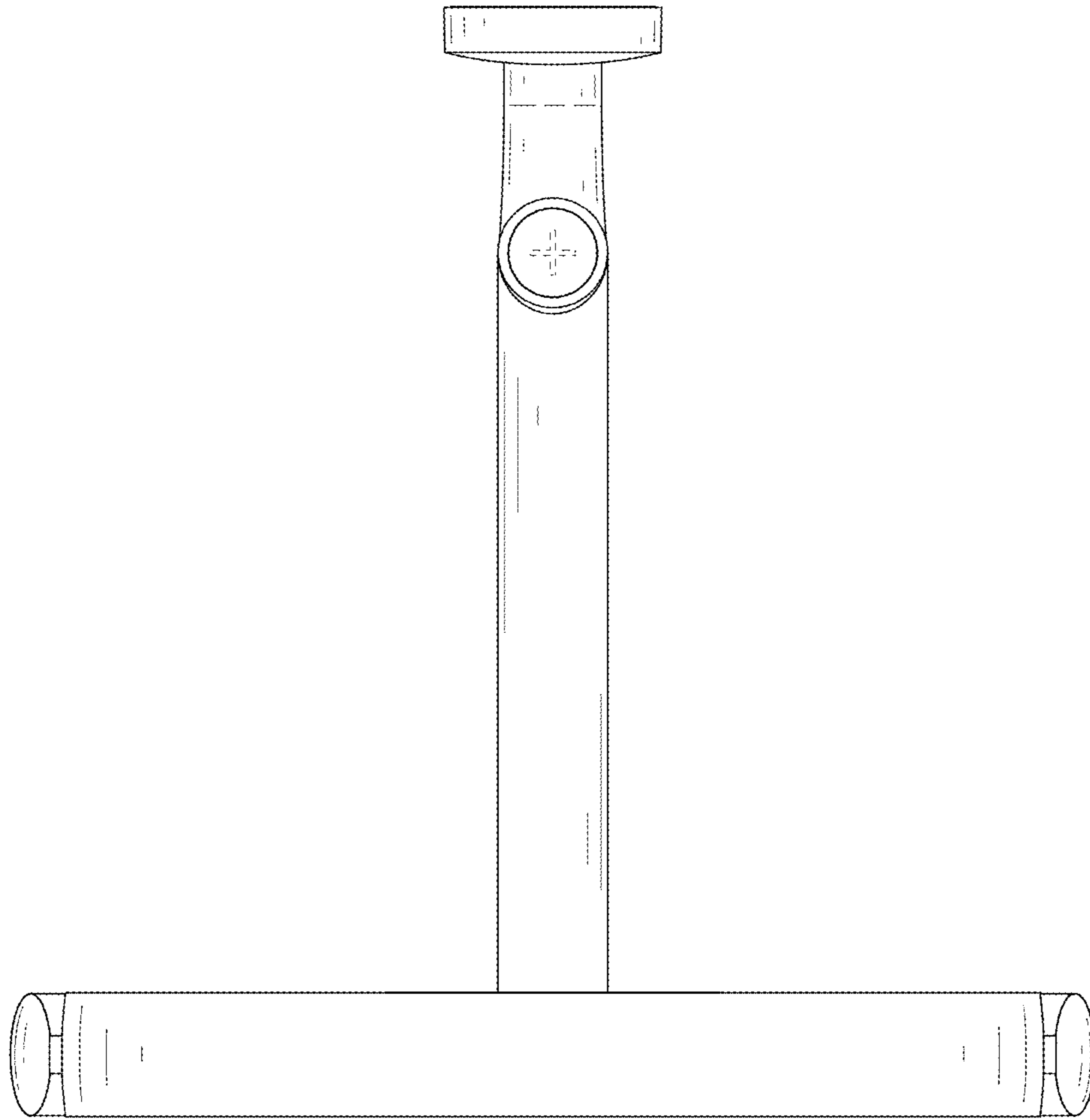


FIG. 7

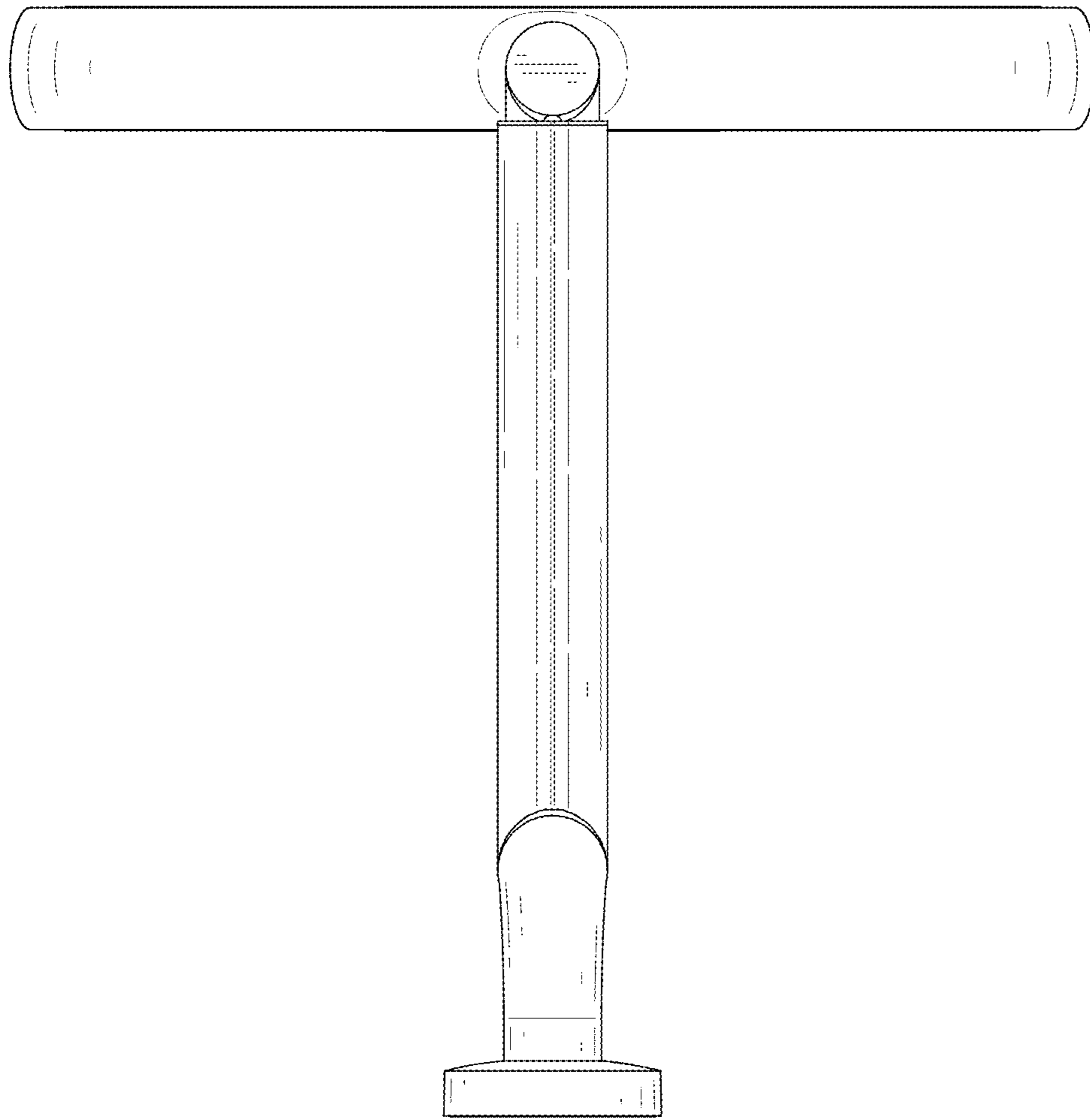


FIG. 8

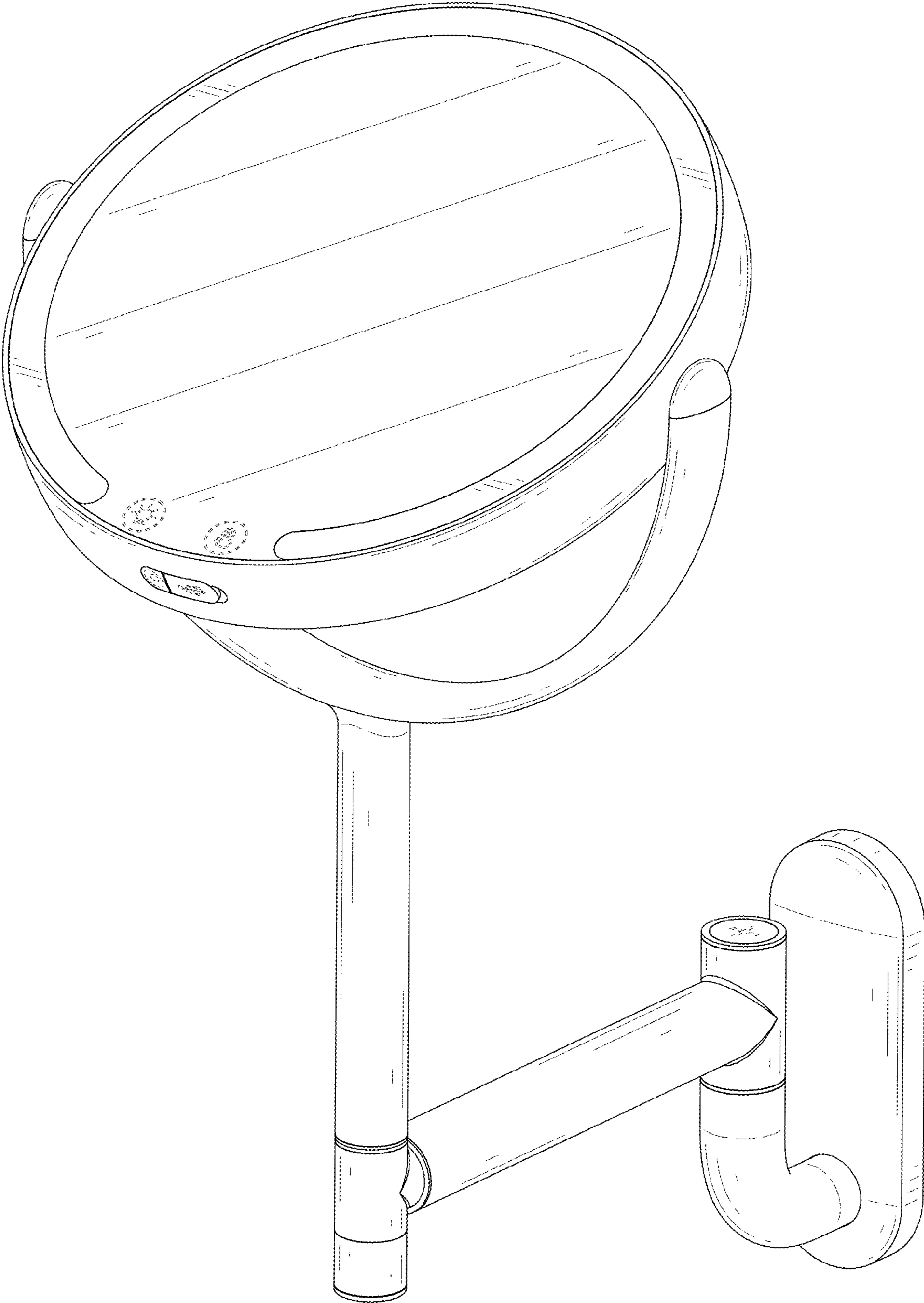


FIG. 9