



US00D919981S

(12) **United States Design Patent**  
**Li et al.**

(10) **Patent No.:** **US D919,981 S**

(45) **Date of Patent:** **\*\* May 25, 2021**

(54) **MIRROR**

(71) Applicant: **Shenzhen Kean Digital Co., Ltd.**,  
Shenzhen (CN)

(72) Inventors: **Jun Li**, Shenzhen (CN); **Feng Li**,  
Shenzhen (CN)

(\*\*) Term: **15 Years**

(21) Appl. No.: **29/757,072**

(22) Filed: **Nov. 3, 2020**

(51) **LOC (13) Cl.** ..... **06-07**

(52) **U.S. Cl.**  
USPC ..... **D6/309**

(58) **Field of Classification Search**  
USPC ..... D6/300-314; D28/64.1-64.7  
CPC ..... A47G 1/00; A47G 1/0633; A47G 1/0622;  
A47G 1/04; A47G 2200/08; A47G  
2200/085; A45D 42/20  
See application file for complete search history.

(56) **References Cited**

**U.S. PATENT DOCUMENTS**

D661,910 S \* 6/2012 Yang ..... D6/312  
8,905,560 B1 \* 12/2014 Zadro ..... A45D 42/14  
359/876  
D776,945 S \* 1/2017 Yang ..... D6/309  
D848,158 S \* 5/2019 Yang ..... D6/309

D865,375 S 11/2019 Yang  
D873,574 S \* 1/2020 Wei ..... D6/309  
D891,791 S \* 8/2020 Zhu ..... D6/309  
D895,982 S 9/2020 Yang  
D899,107 S \* 10/2020 Luo ..... D6/309  
D905,443 S \* 12/2020 Yang ..... D6/310  
D905,446 S \* 12/2020 Yang ..... D6/310  
D905,449 S \* 12/2020 Yang ..... D6/310  
D905,976 S \* 12/2020 Yang ..... D6/310  
D909,768 S \* 2/2021 Li ..... D6/300

**FOREIGN PATENT DOCUMENTS**

CN 306406094 \* 3/2021

\* cited by examiner

*Primary Examiner* — Deanna L Pratt

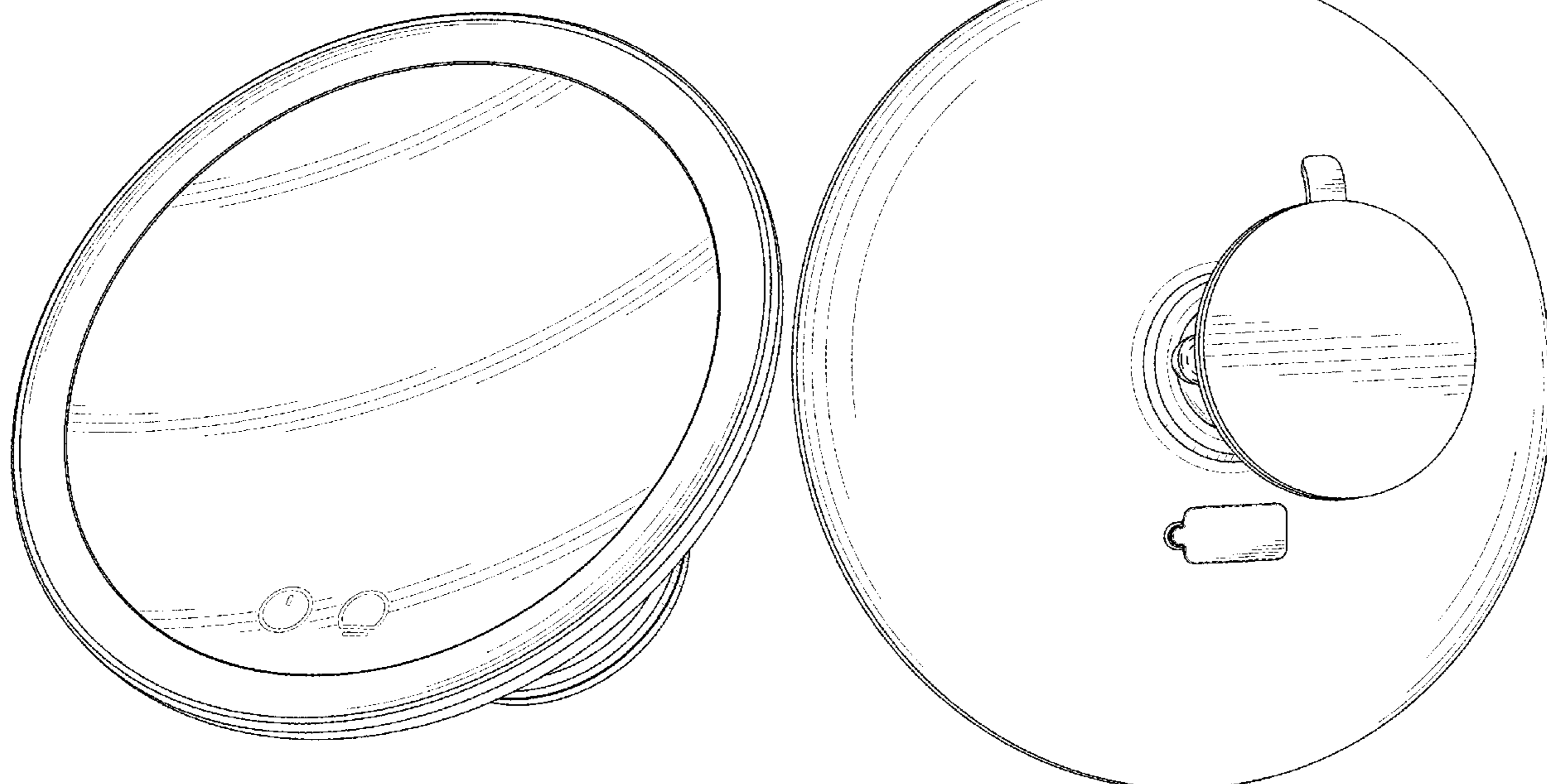
(57) **CLAIM**

The ornamental design for a mirror, as shown and described.

**DESCRIPTION**

FIG. 1 is a perspective view of a mirror showing my new design;  
FIG. 2 is another perspective view thereof;  
FIG. 3 is a front view thereof;  
FIG. 4 is a rear view thereof;  
FIG. 5 is a left side view thereof;  
FIG. 6 is a right side view thereof;  
FIG. 7 is a top plan view thereof; and,  
FIG. 8 is a bottom plan view thereof.

**1 Claim, 8 Drawing Sheets**



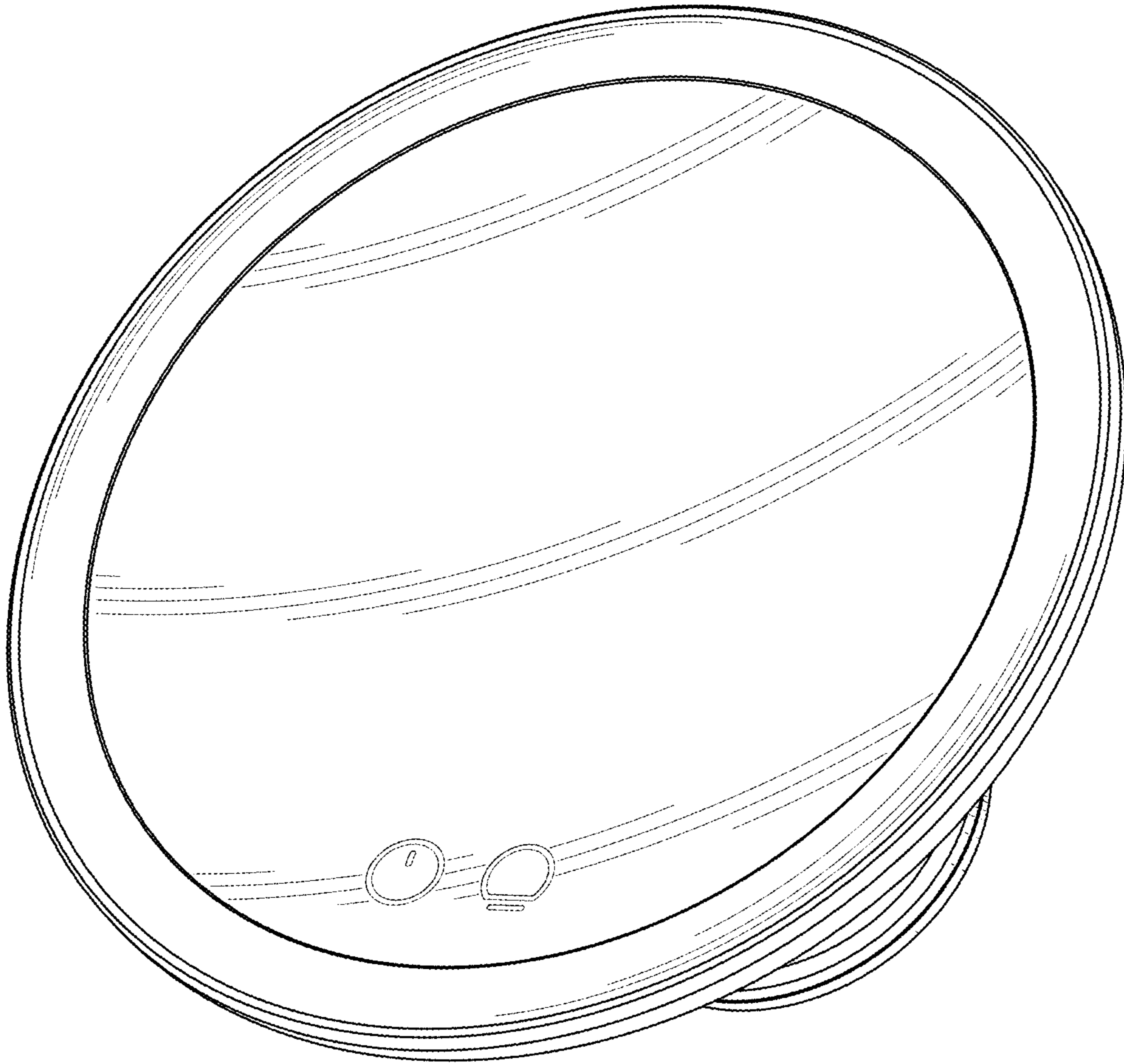


FIG. 1

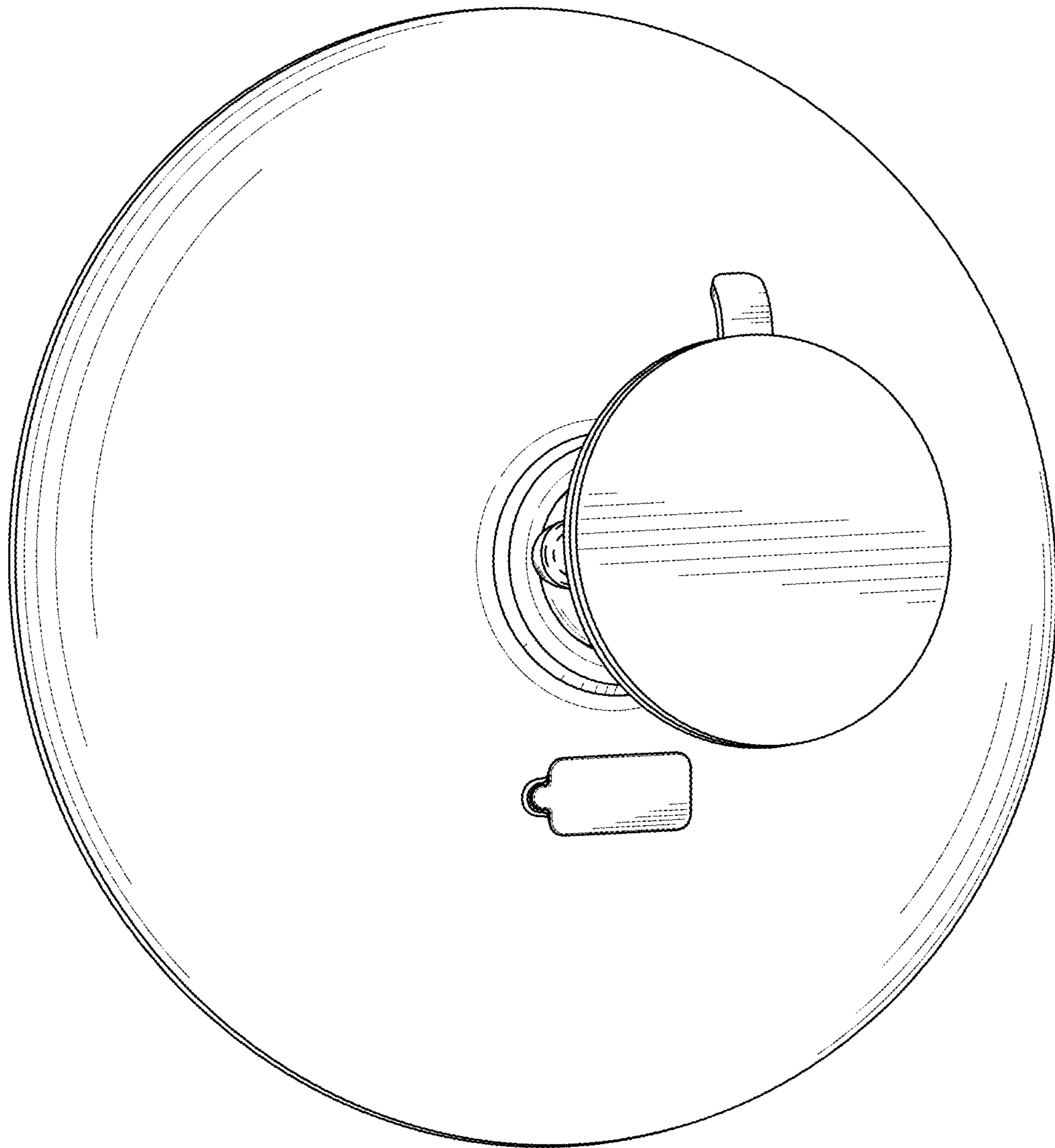


FIG. 2

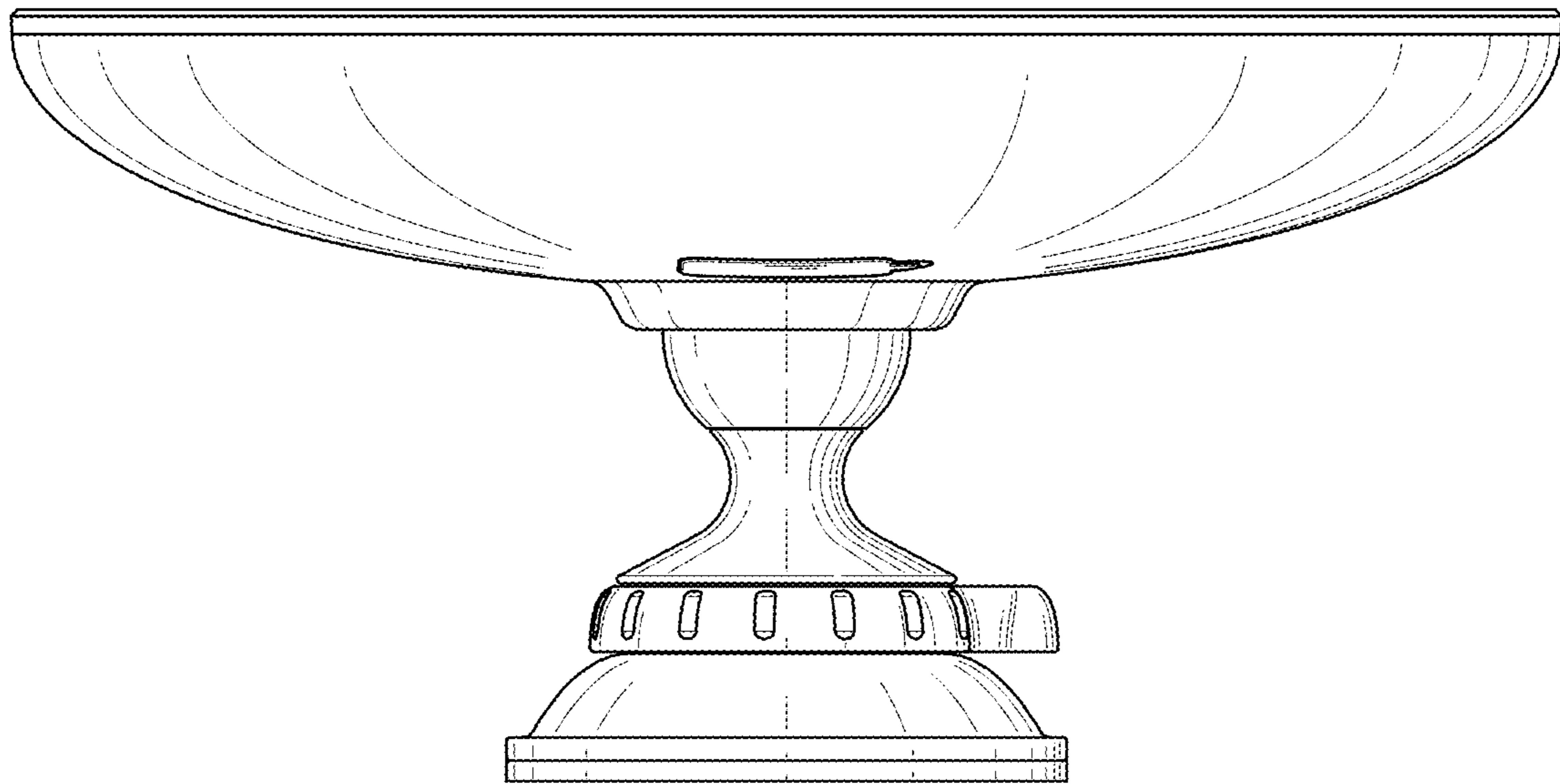


FIG. 3

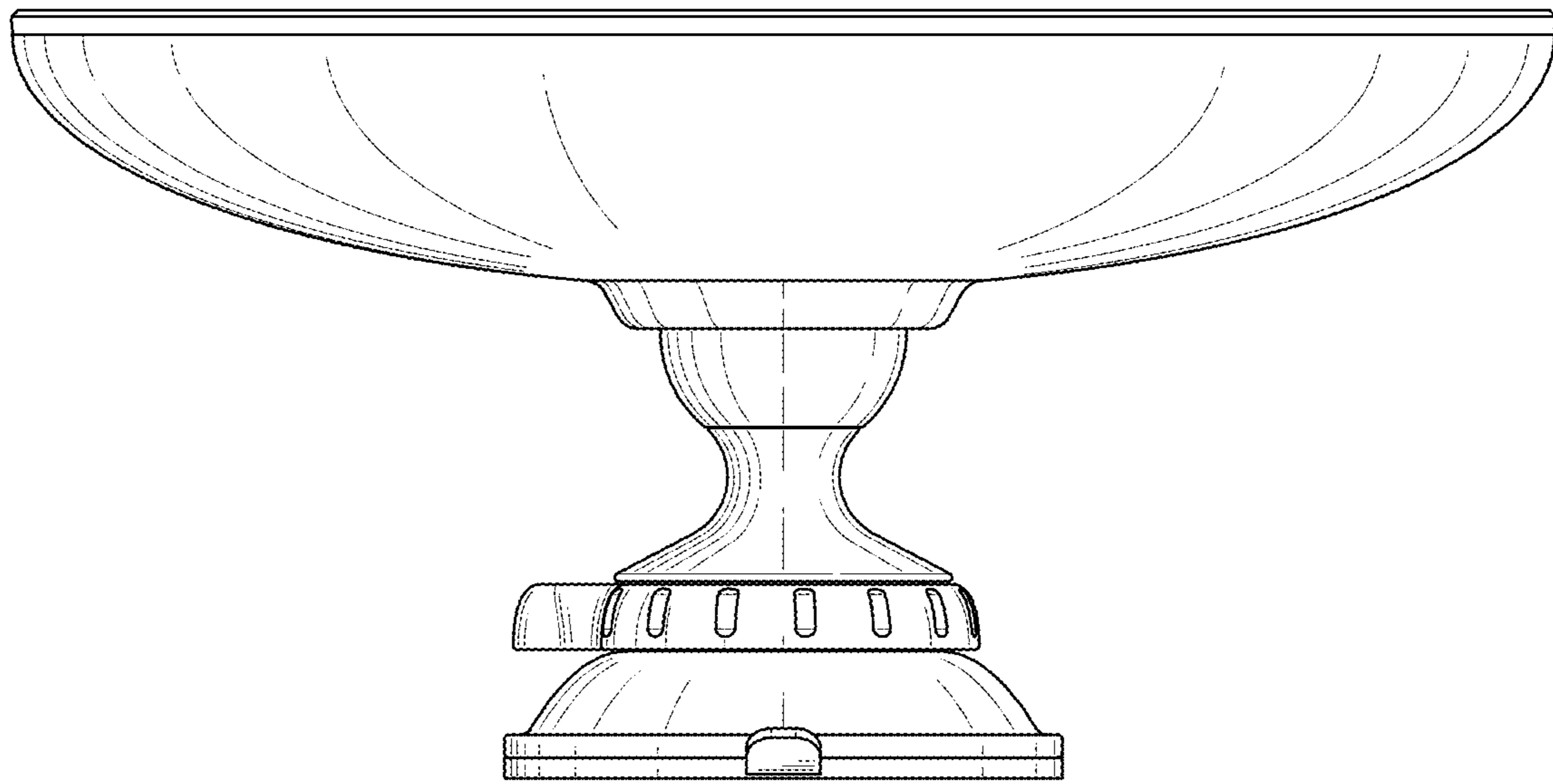


FIG. 4

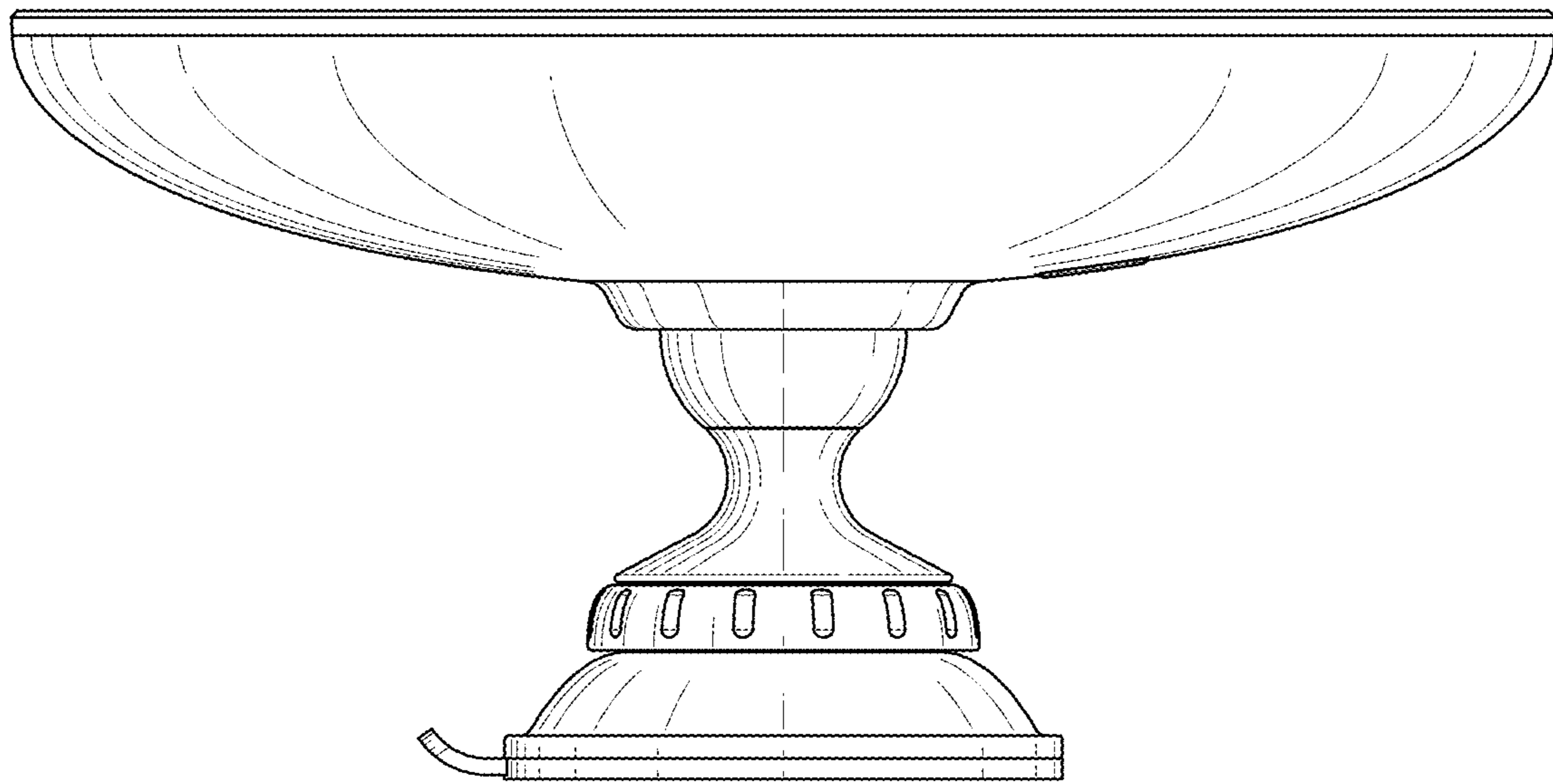


FIG. 5

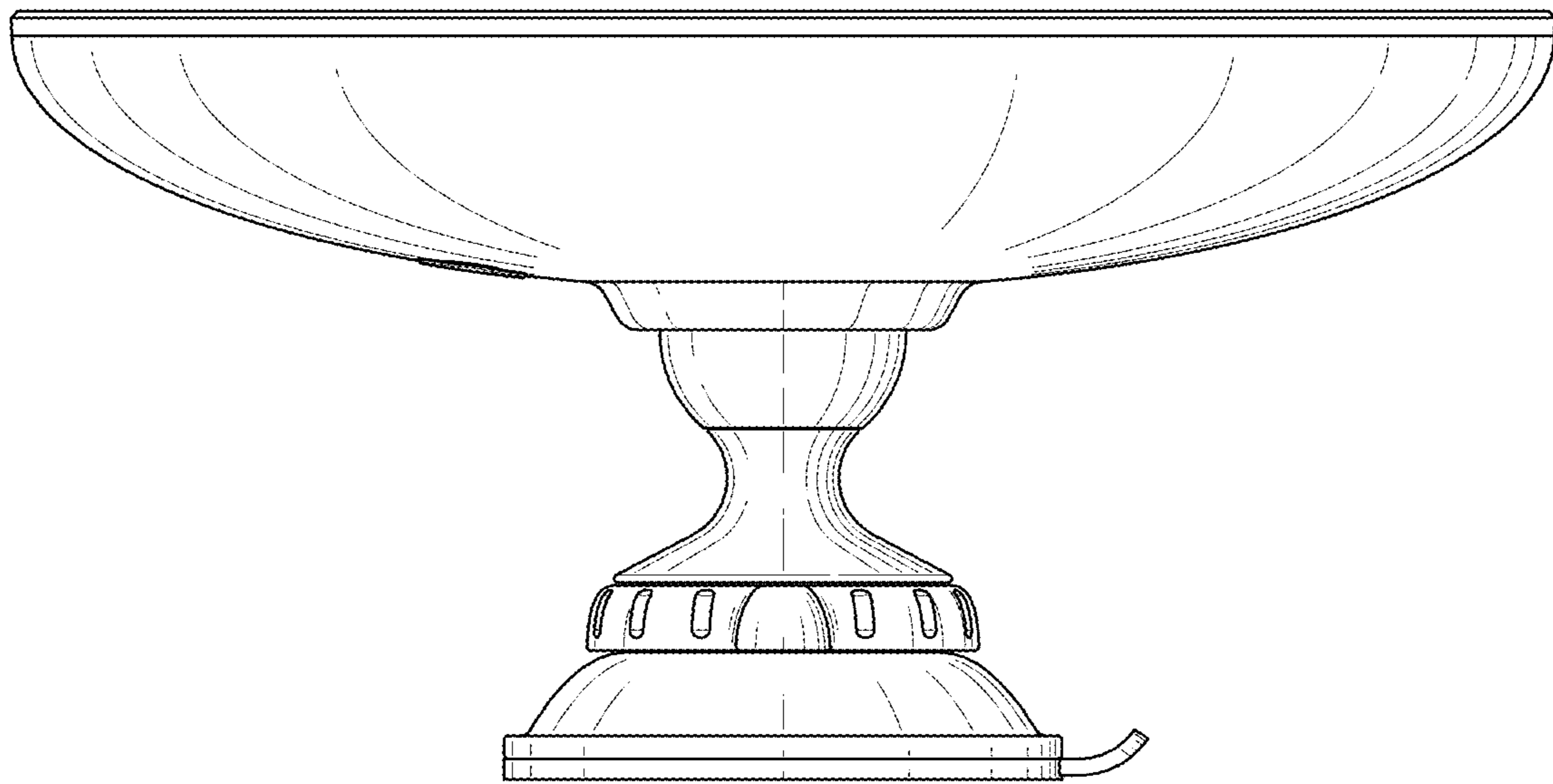


FIG. 6

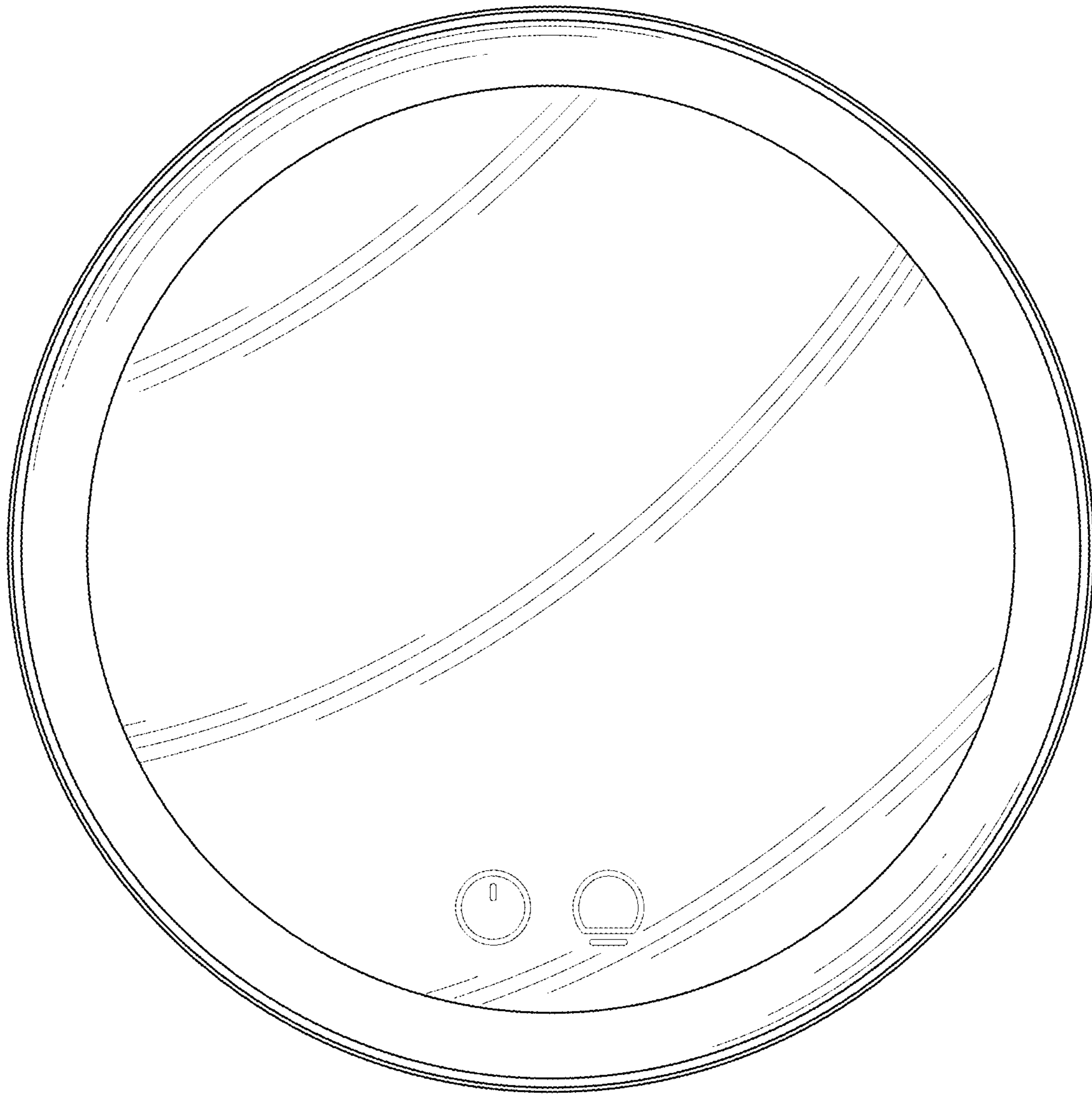


FIG. 7



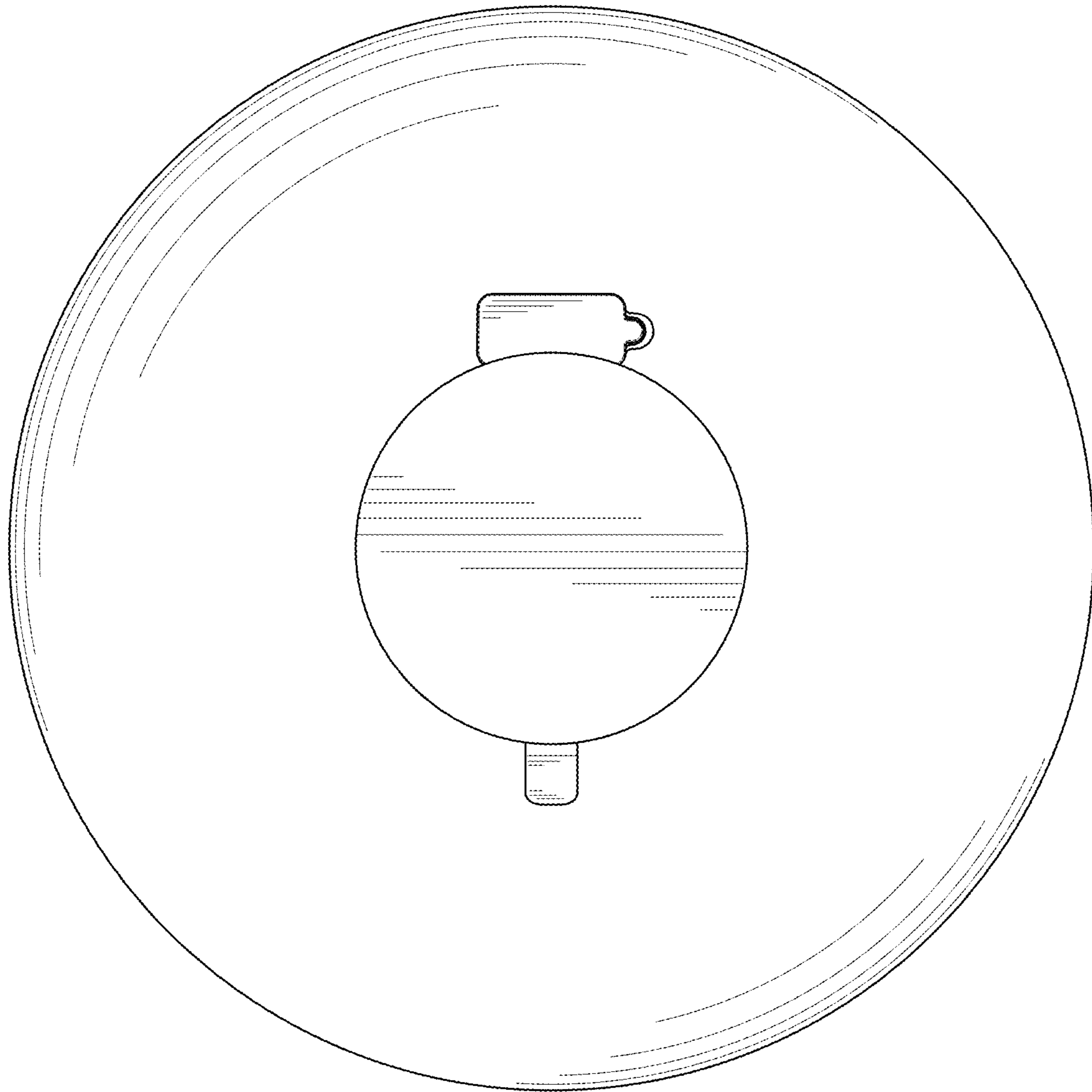


FIG. 8