



US00D919974S

(12) **United States Design Patent** (10) **Patent No.:** **US D919,974 S**
Kraemer (45) **Date of Patent:** **** May 25, 2021**

- (54) **BIN**
- (71) Applicant: **InterDesign, Inc**, Solon, OH (US)
- (72) Inventor: **Kevin Francis Kraemer**, Cuyahoga Falls, OH (US)
- (73) Assignee: **InterDesign, Inc.**, Solon, OH (US)
- (**) Term: **15 Years**
- (21) Appl. No.: **29/750,598**
- (22) Filed: **Sep. 15, 2020**

Related U.S. Application Data

- (60) Division of application No. 29/733,178, filed on Apr. 30, 2020, which is a division of application No. 29/678,010, filed on Jan. 25, 2019, now Pat. No. Des. 902,594, which is a continuation of application No. 29/638,819, filed on Mar. 1, 2018, now Pat. No. Des. 842,606, which is a continuation of application No. 29/546,621, filed on Nov. 24, 2015, now Pat. No. Des. 811,768, which is a continuation of application No. 29/423,096, filed on May 29, 2012, now Pat. No. Des. 746,643.
- (51) **LOC (13) Cl.** **09-04**
- (52) **U.S. Cl.**
USPC **D3/314**; D3/304; D6/683
- (58) **Field of Classification Search**
USPC D3/200–201, 203.1, 203.3, 205–206, D3/303–315; D32/37; D9/643–644, D9/645–647, 703, 425–426, 432; D19/75, 77, 86, 90, 92, 100; 206/503–507, 510, 512, 564, 822; 220/607, 643, 659, 676, 657; 229/100, 229/406, 913–914; D6/683, 683.1, 705, D6/573, 574
CPC B65D 81/3813; B65D 21/00
See application file for complete search history.

- (56) **References Cited**
- U.S. PATENT DOCUMENTS
- 3,186,586 A * 6/1965 Box B65D 1/243
206/511
- 3,813,256 A 5/1974 Feinberg
- D231,771 S 6/1974 Gary
- D419,302 S 1/2000 Hardy
- D425,562 S 5/2000 Conley
- D487,347 S 3/2004 Felsenthal
- D509,655 S 9/2005 Barnes
- (Continued)

OTHER PUBLICATIONS

This case is related to U.S. Appl. No. 29/733,178, filed Apr. 30, 2020.

(Continued)

Primary Examiner — Nathan M Johnston
(74) *Attorney, Agent, or Firm* — Calfee, Halter & Griswold LLP

- (57) **CLAIM**
- I claim the ornamental design for a bin, as shown and described.

DESCRIPTION

FIG. 1 is a front/right/top perspective view of a bin (a front/left/top perspective view would be a mirror image thereof);

FIG. 2 is a rear/left/bottom perspective view thereof (a rear/right/bottom perspective view would be a mirror image thereof);

FIG. 3 is a front elevational view thereof;

FIG. 4 is a rear elevational view thereof;

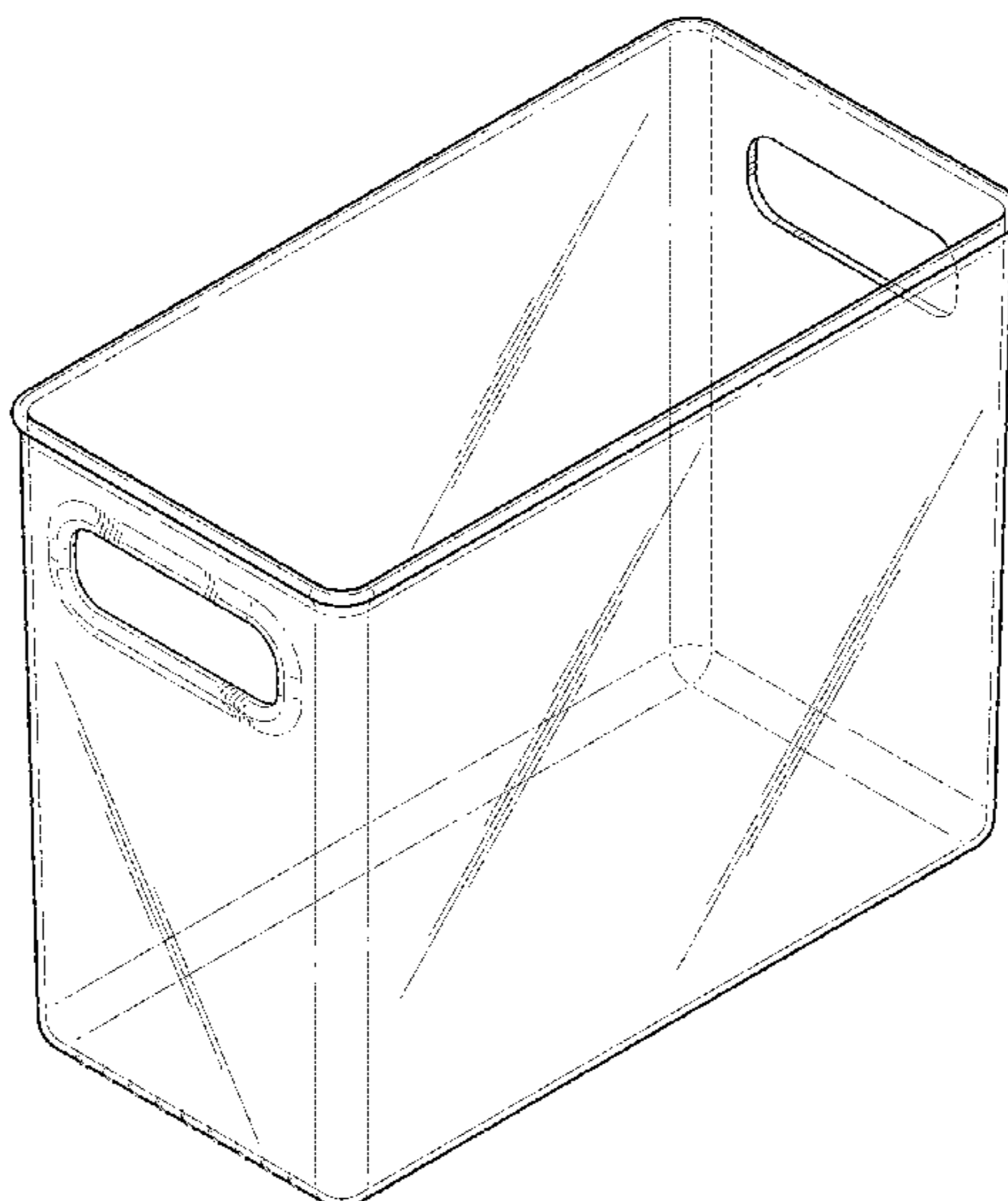
FIG. 5 is a right side elevational view thereof;

FIG. 6 is a top plan view thereof; and,

FIG. 7 is a bottom plan view thereof.

The broken lines show portions of the bin that form no part of the claimed design.

1 Claim, 6 Drawing Sheets



(56)

References Cited

U.S. PATENT DOCUMENTS

D530,918 S 10/2006 Snell
 D538,536 S * 3/2007 Kopenhaver D3/305
 D542,033 S 5/2007 Kopenhaver
 D677,056 S * 3/2013 Hu D3/306
 D710,612 S * 8/2014 Kolano D3/309
 D732,827 S * 6/2015 Suomela D3/304
 D745,809 S 12/2015 Rowley
 D770,771 S 11/2016 Lisso
 D772,575 S 11/2016 Stelmarski
 D775,831 S * 1/2017 Duvigneau D3/304
 D780,264 S 2/2017 Greenspon
 D805,402 S * 12/2017 Gamble D9/755
 D809,797 S * 2/2018 Kraemer D3/307
 D832,115 S * 10/2018 Fitchett D9/711
 D842,606 S * 3/2019 Kraemer D3/307
 D862,994 S 10/2019 Kraemer
 D863,485 S 10/2019 VanNatta
 D865,365 S * 11/2019 Hardy D3/306
 D866,973 S 11/2019 Snell

D873,567 S 1/2020 Hardy
 D878,051 S * 3/2020 Kraemer D3/307
 D887,141 S 6/2020 Mazor
 D888,429 S 6/2020 Vega
 D893,874 S 8/2020 Kraemer
 D895,970 S * 9/2020 Kraemer D3/310

OTHER PUBLICATIONS

Notice of Allowance dated Sep. 23, 2020 in related U.S. Appl. No. 29/678,010, filed Jan. 25, 2019.

Amazon.com, IDesign Plastic Bin, Kitchen Storage Organizer for Refrigerator, Freezer and Pantry, 8"×8"×6" BPA-Free Medium Clear, <https://www.amazon.com/InterDesign-Refrigerator-Freezer-Storage-Container/dp/B007EEE5HY/>—cited by and provided by the USPTO in U.S. Appl. No. 29/733,178.

Idesign website, Bath Medium Bins 10"×4"×6", Aug. 13, 2020, <https://www.idesignlivesinnply.com/product/bath-medium-bins-10-x-4-x-6/>—cited by and provided by the USPTO in U.S. Appl. No. 29/678,010.

* cited by examiner

FIG. 1

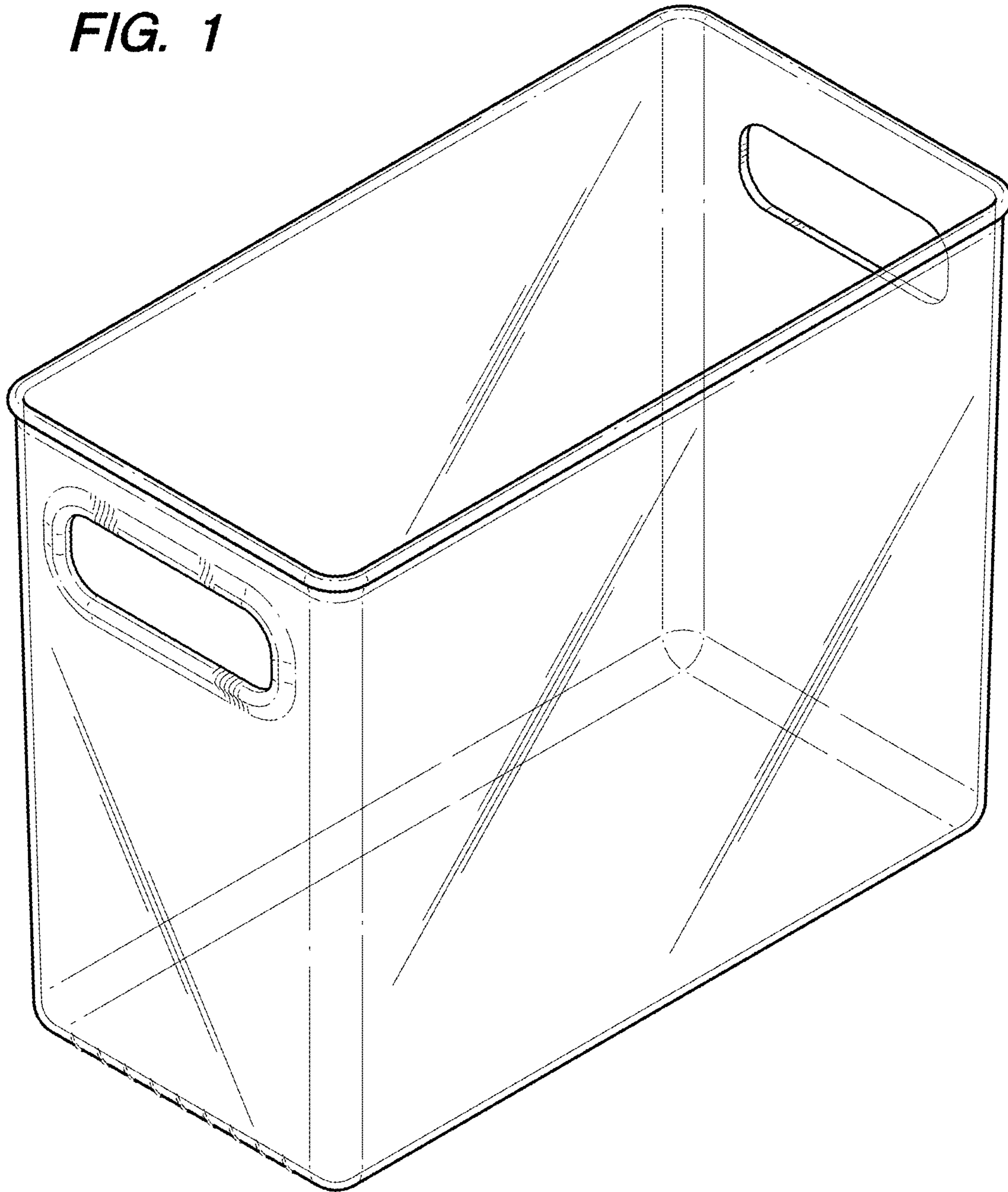


FIG. 2

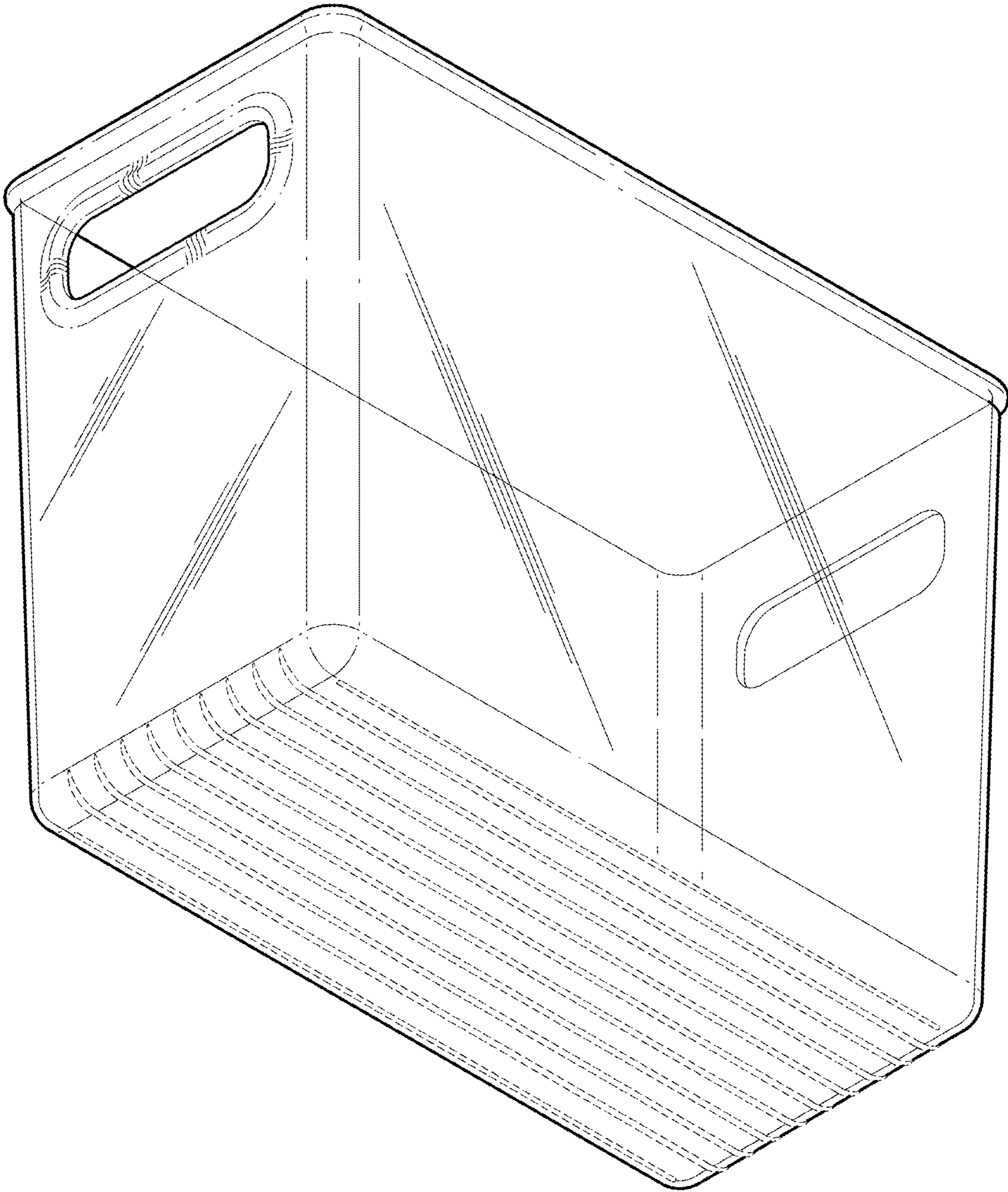


FIG. 3

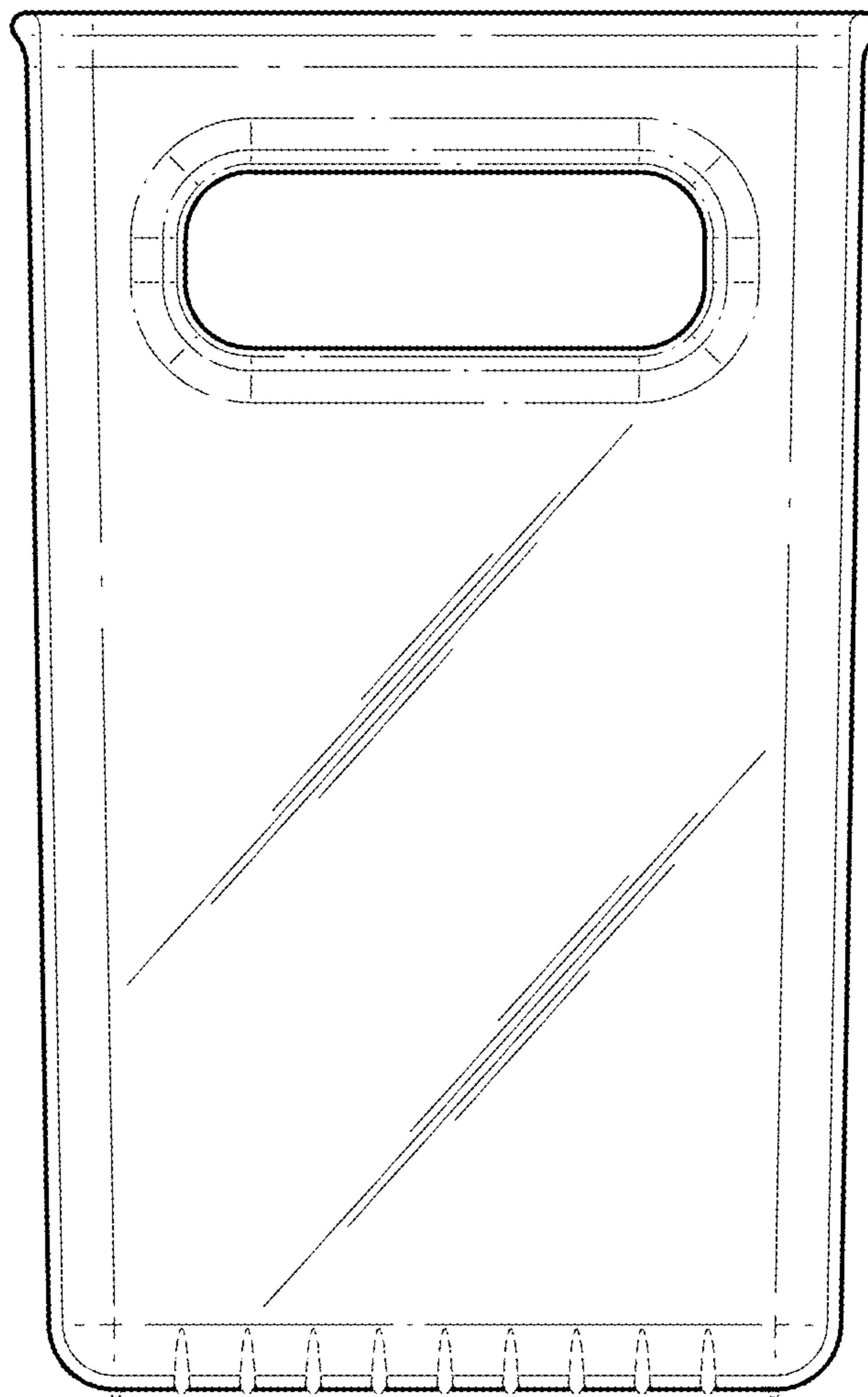


FIG. 4

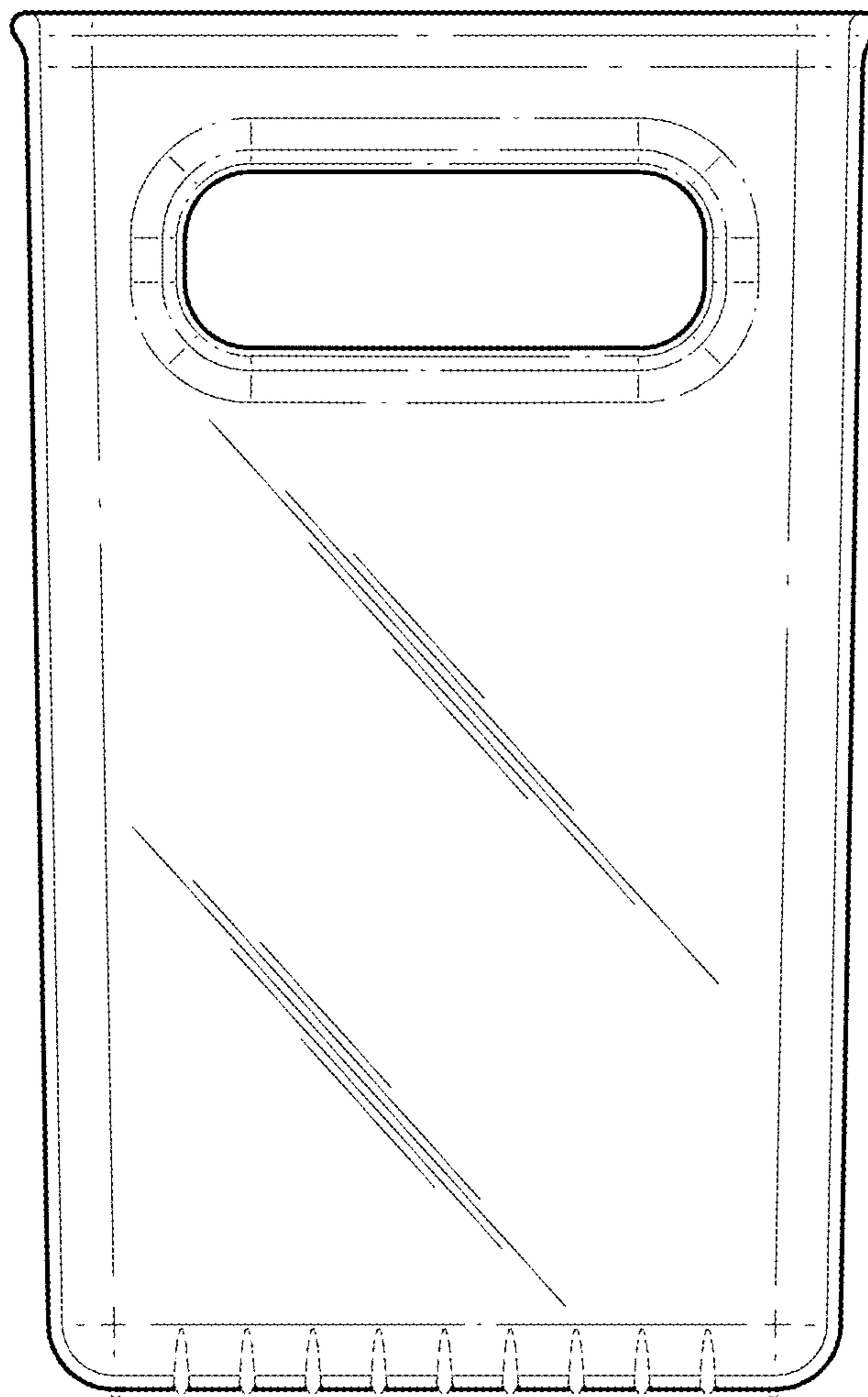


FIG. 5

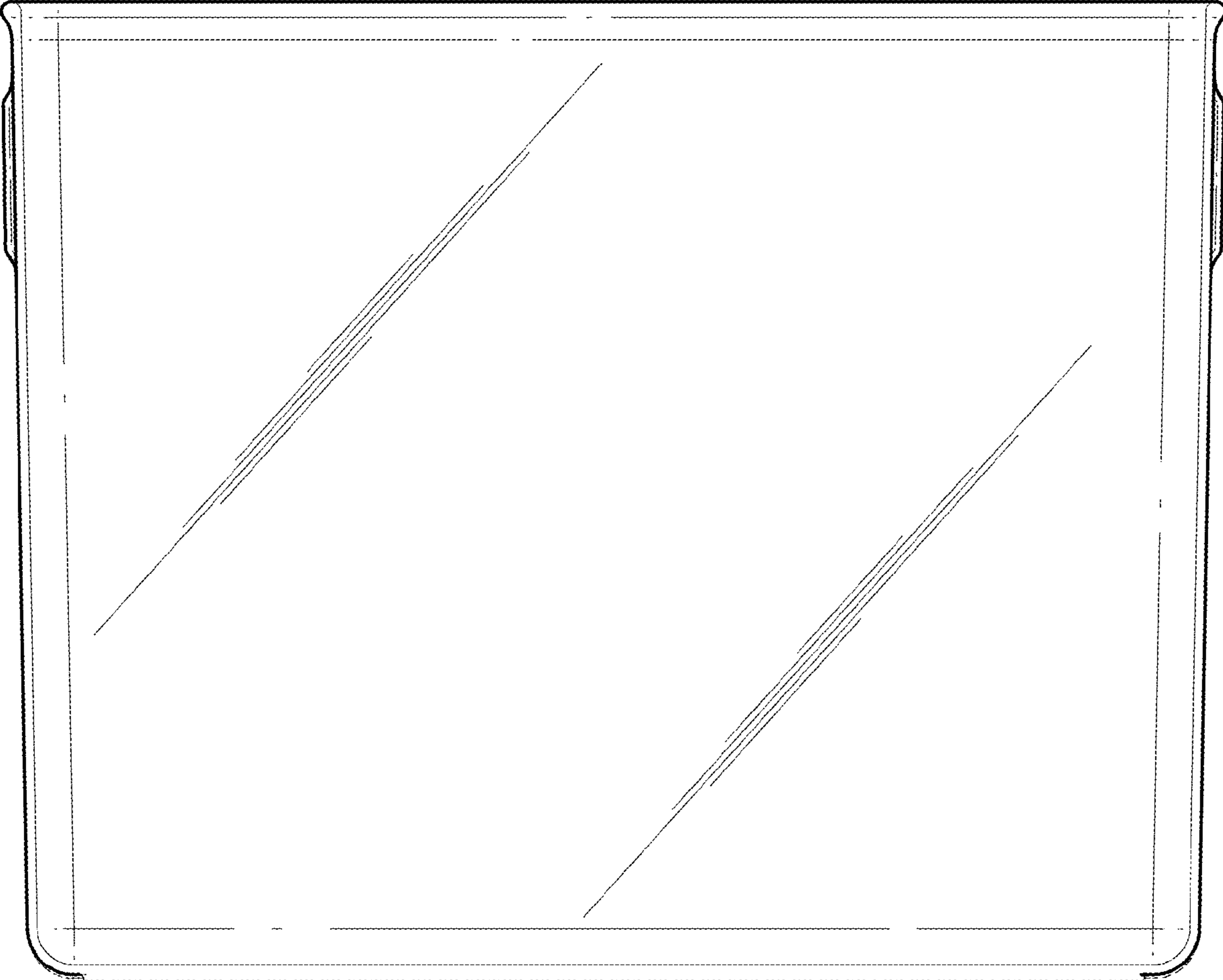


FIG. 6

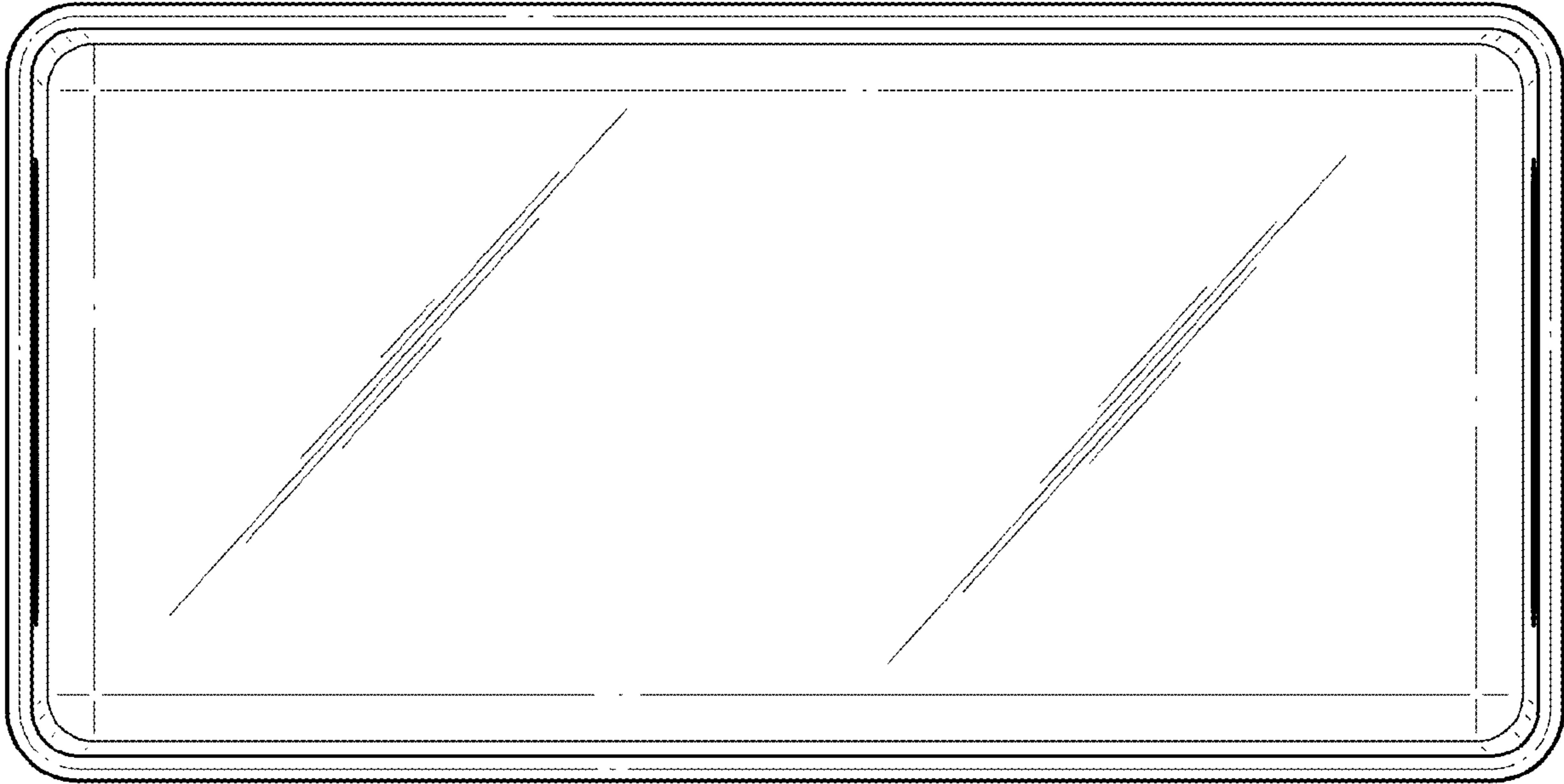


FIG. 7

