



US00D919971S

(12) **United States Design Patent** (10) **Patent No.:** **US D919,971 S**  
**Varga et al.** (45) **Date of Patent:** **\*\* May 25, 2021**

(54) **BIN**  
(71) Applicant: **InterDesign, Inc.**, Solon, OH (US)  
(72) Inventors: **Amanda Varga**, Brook Park, OH (US);  
**Sara Czukal McBride**, Wickliffe, OH (US)  
(73) Assignee: **InterDesign, LLC**, Solon, OH (US)  
(\*\*) Term: **15 Years**  
(21) Appl. No.: **29/687,920**  
(22) Filed: **Apr. 17, 2019**  
(51) **LOC (13) Cl.** ..... **03-01**  
(52) **U.S. Cl.**  
USPC ..... **D3/304**  
(58) **Field of Classification Search**  
USPC ..... D3/201, 205–206, 303–306, 307–309,  
D3/310–315; D9/435, 432  
CPC ... B65D 1/00; B65D 1/22; B65D 1/24; B65D  
1/34; B65D 1/38; B65D 2543/00009;  
A47G 23/0641; A47F 3/14; A47F 3/145  
See application file for complete search history.

(56) **References Cited**

U.S. PATENT DOCUMENTS

3,170,594 A \* 2/1965 Nascher ..... B65D 21/045  
206/507  
D289,246 S \* 4/1987 Ritman ..... D7/584  
D330,161 S \* 10/1992 Schuh ..... D9/423  
D360,898 S \* 8/1995 Huerto ..... D19/75  
D368,162 S \* 3/1996 Miller ..... D3/323  
D415,656 S \* 10/1999 Henry ..... D7/354  
D417,361 S \* 12/1999 Mittmann ..... D7/396.1  
D420,859 S \* 2/2000 Loew ..... D7/602  
D439,159 S \* 3/2001 Chen ..... D9/425  
D479,271 S \* 9/2003 Gaska ..... D19/75  
D555,476 S \* 11/2007 Nielsen ..... D9/425  
D557,993 S \* 12/2007 Stamper ..... D7/629

D571,200 S \* 6/2008 Bouveret ..... D9/435  
D575,095 S \* 8/2008 Schreiber-Pethan ..... D7/354  
D596,857 S \* 7/2009 Ahlgrim ..... D3/307  
D602,255 S \* 10/2009 Ahlgrim ..... D3/304  
D631,745 S \* 2/2011 Lawrence ..... D9/435  
D640,895 S \* 7/2011 Tosdale ..... D7/354  
D649,839 S \* 12/2011 Stamper ..... D7/602  
D656,778 S \* 4/2012 Bolgert ..... D7/354  
D665,221 S \* 8/2012 Tosdale ..... D7/354  
D672,612 S \* 12/2012 Stamper ..... D7/602  
D677,851 S \* 3/2013 Harris ..... D34/27  
D717,122 S \* 11/2014 Carlson ..... D7/602  
D734,991 S \* 7/2015 Carlson ..... D7/602  
D753,992 S \* 4/2016 Shiffer ..... D9/428  
9,546,033 B2 \* 1/2017 Everingham ..... B65D 51/28  
D781,585 S \* 3/2017 Levie ..... D3/310

(Continued)

*Primary Examiner* — Kelley A Donnelly

(74) *Attorney, Agent, or Firm* — Calfee, Halter & Griswold LLP

(57) **CLAIM**

We claim the ornamental design for a bin, as shown and described.

**DESCRIPTION**

FIG. 1 is a front/left/top perspective view of an upper portion of a bin (a front/right/top perspective view would be a mirror image thereof);

FIG. 2 is a top plan view thereof;

FIG. 3 is a left side elevational view thereof; a right side elevational view would be a mirror image thereof;

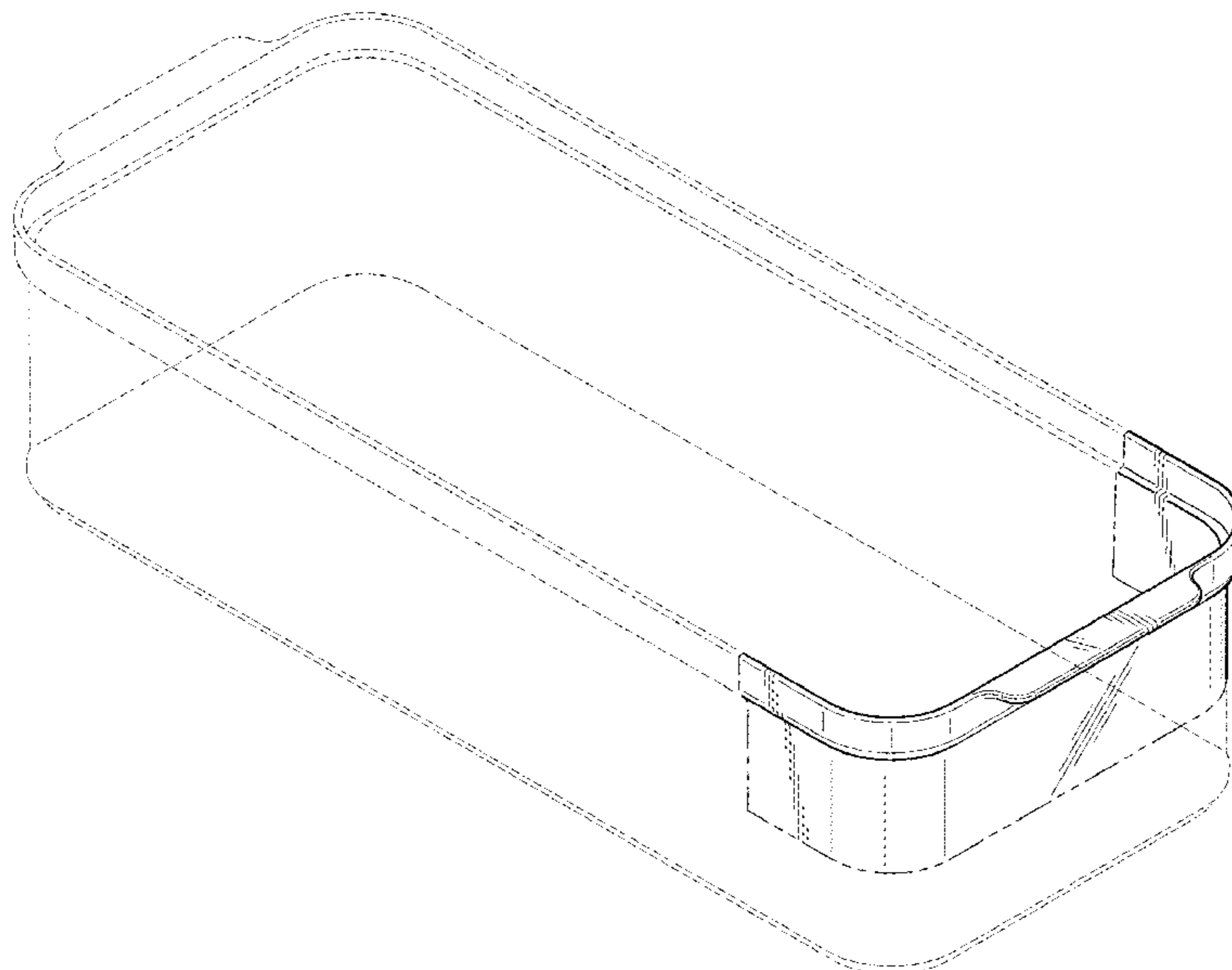
FIG. 4 is a front elevational view thereof;

FIG. 5 is a bottom plan view thereof; and,

FIG. 6 is a rear elevational view thereof.

The dash-dot lines represent the bounds of the claimed design, while all other broken lines are directed to portions of the bin that form no part of the claimed design; the dash-dot lines and other broken lines form no part of the claimed design.

**1 Claim, 4 Drawing Sheets**



(56)

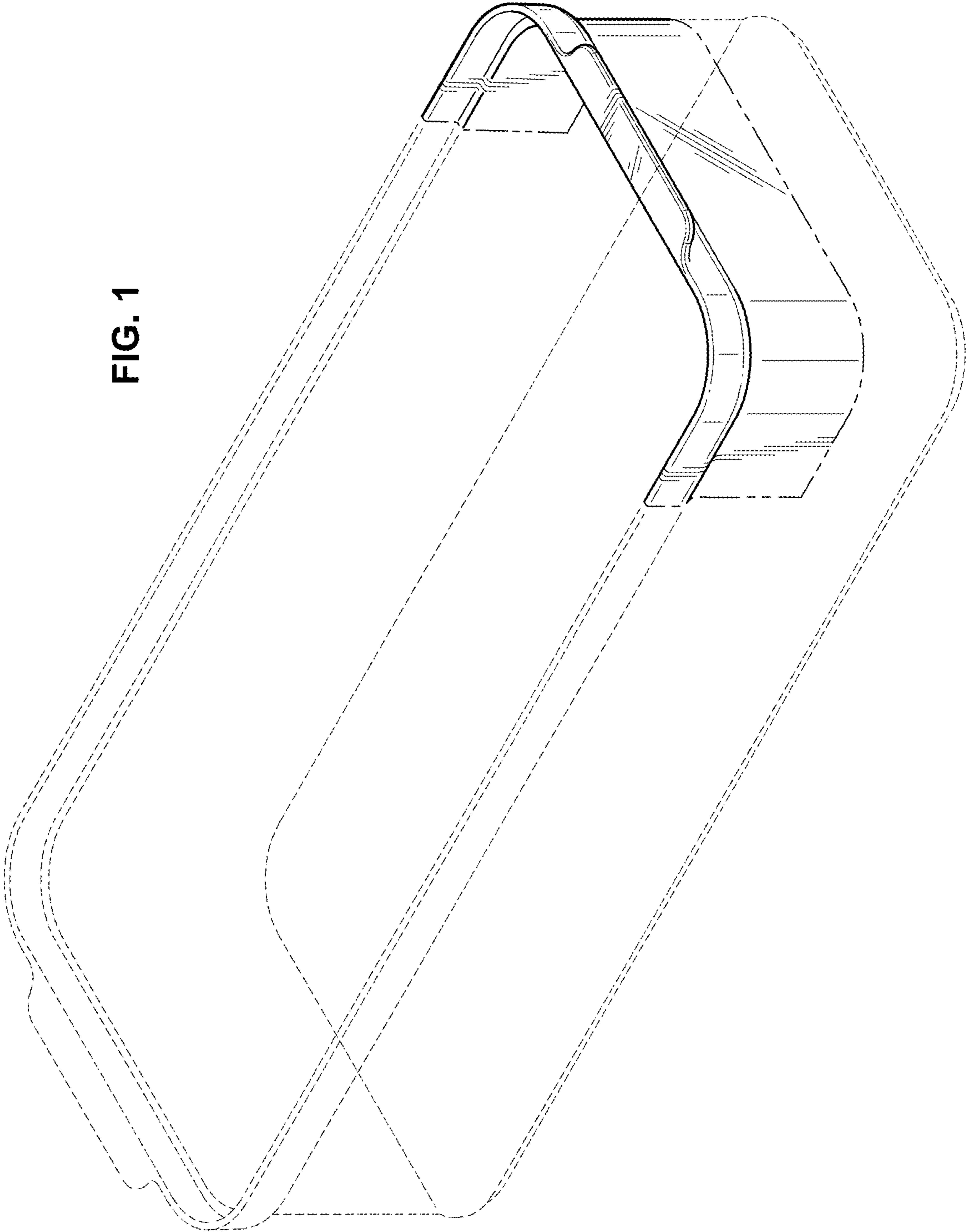
**References Cited**

U.S. PATENT DOCUMENTS

D806,391	S *	1/2018	Ghiorghie .....	D3/304
D815,835	S *	4/2018	Levie .....	D3/310
D825,923	S *	8/2018	Suomela .....	D3/304
D837,521	S *	1/2019	Connors .....	D3/304
D863,764	S *	10/2019	Zemel .....	D3/310
D889,126	S *	7/2020	Staiano .....	D3/304
D891,777	S *	8/2020	Newton .....	D3/304
D893,874	S *	8/2020	Kraemer .....	D3/310
2020/0165039	A1 *	5/2020	Fretta .....	B65D 43/0243
2020/0277115	A1 *	9/2020	Mithani .....	B65D 43/0202

\* cited by examiner

FIG. 1



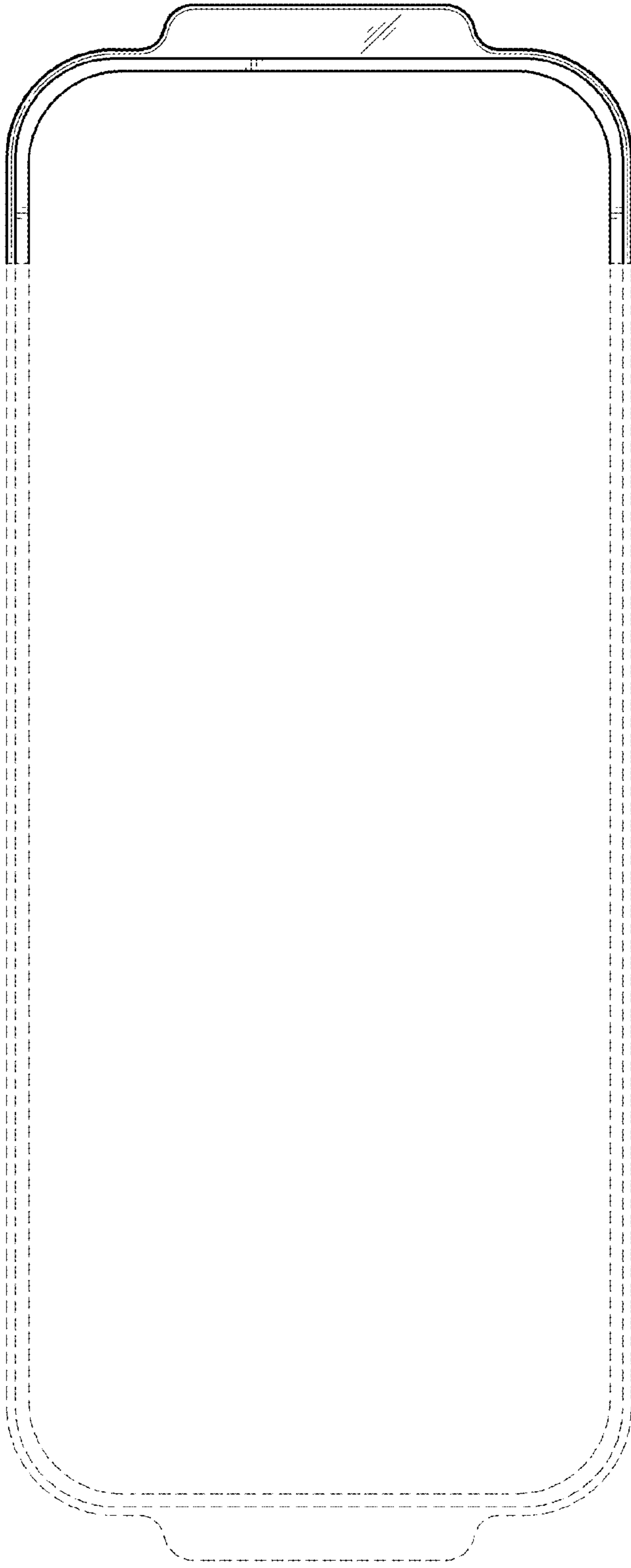


FIG. 2



FIG. 3

FIG. 4

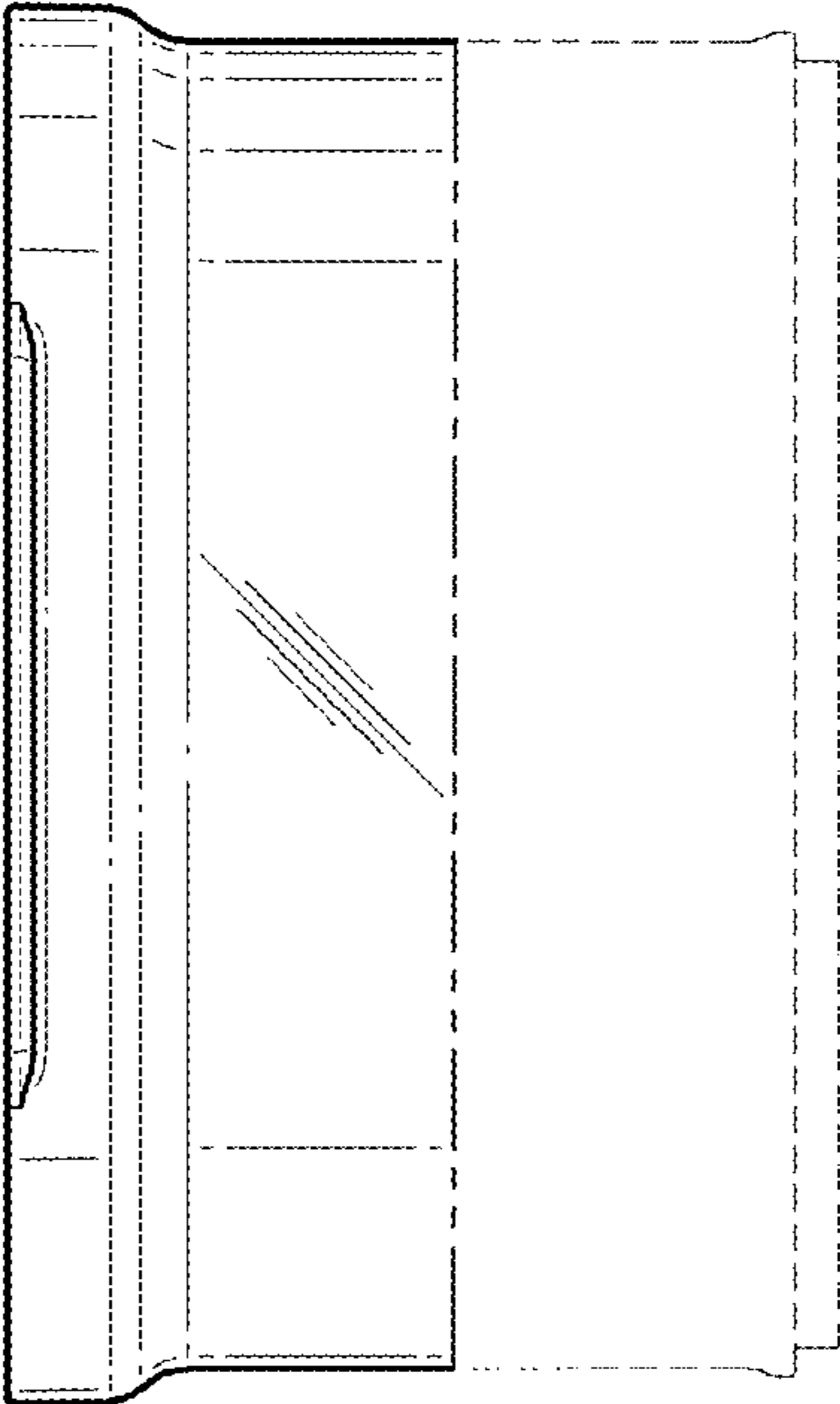


FIG. 5

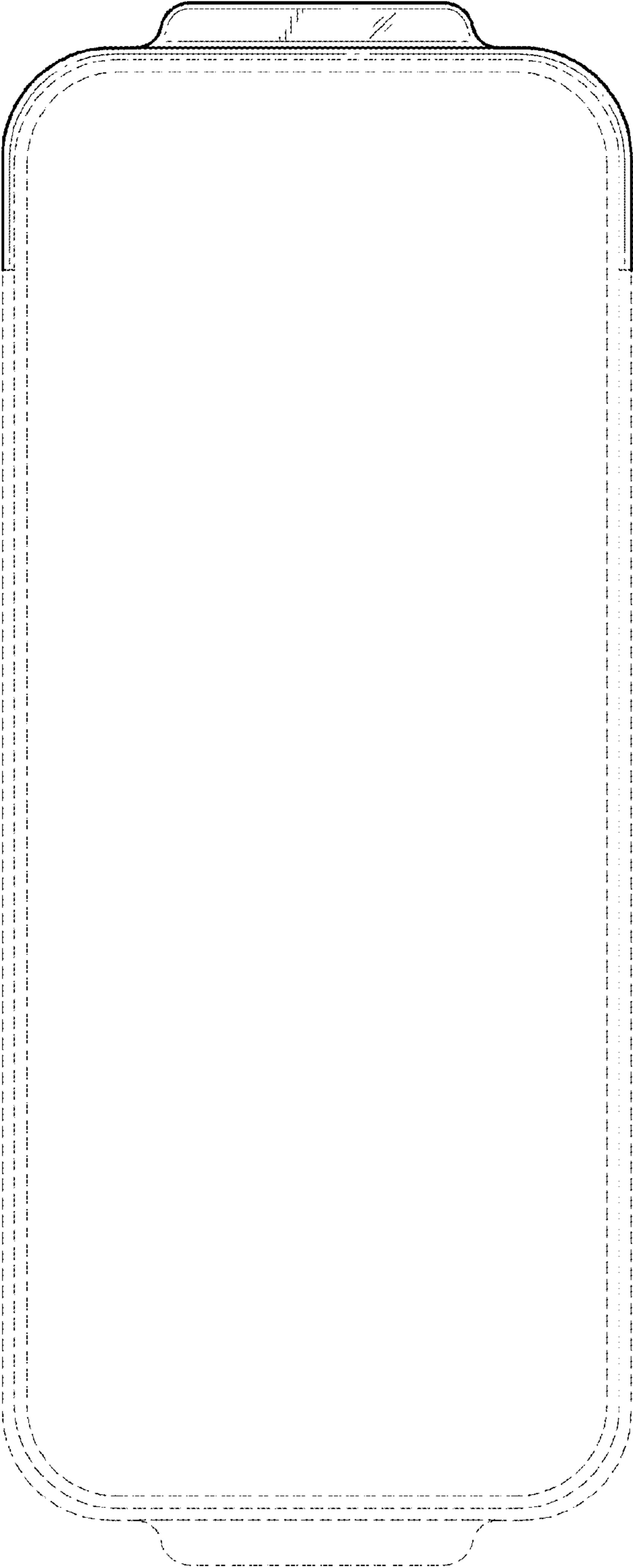


FIG. 6

