



US00D919970S

(12) **United States Design Patent**
Kim

(10) **Patent No.:** **US D919,970 S**

(45) **Date of Patent:** **** May 25, 2021**

(54) **STORAGE CONTAINER**

(71) Applicant: **Donghyun Kim**, Surrey (CA)

(72) Inventor: **Donghyun Kim**, Surrey (CA)

(**) Term: **15 Years**

(21) Appl. No.: **29/676,171**

(22) Filed: **Jan. 9, 2019**

(51) **LOC (13) Cl.** **03-01**

(52) **U.S. Cl.**
USPC **D3/294**

(58) **Field of Classification Search**
USPC D3/274, 276, 283, 289, 901, 287, 315,
D3/294; D7/601; D12/409
CPC A45C 11/00; A45C 13/02; A45C 2003/008
See application file for complete search history.

(56) **References Cited**

U.S. PATENT DOCUMENTS

D460,259 S *	7/2002	Oelfke	D3/273
D462,171 S *	9/2002	Elabour	D12/423
D474,688 S *	5/2003	Litts	D3/295
D549,097 S *	8/2007	Limber	D3/294

D740,360 S *	10/2015	Chen	D18/99
D799,823 S *	10/2017	Schartle	D3/285
D800,989 S *	10/2017	Lucido	D99/28
D816,995 S *	5/2018	Fleming	D3/294
D864,568 S *	10/2019	Roberts	D3/294
D866,966 S *	11/2019	Wang	D3/294
D872,470 S *	1/2020	Beilman	D3/274
D883,667 S *	5/2020	Barlier	D3/285

* cited by examiner

Primary Examiner — April Rivas

(74) *Attorney, Agent, or Firm* — Mitchell Law PLLC;
Matthew W. Mitchell

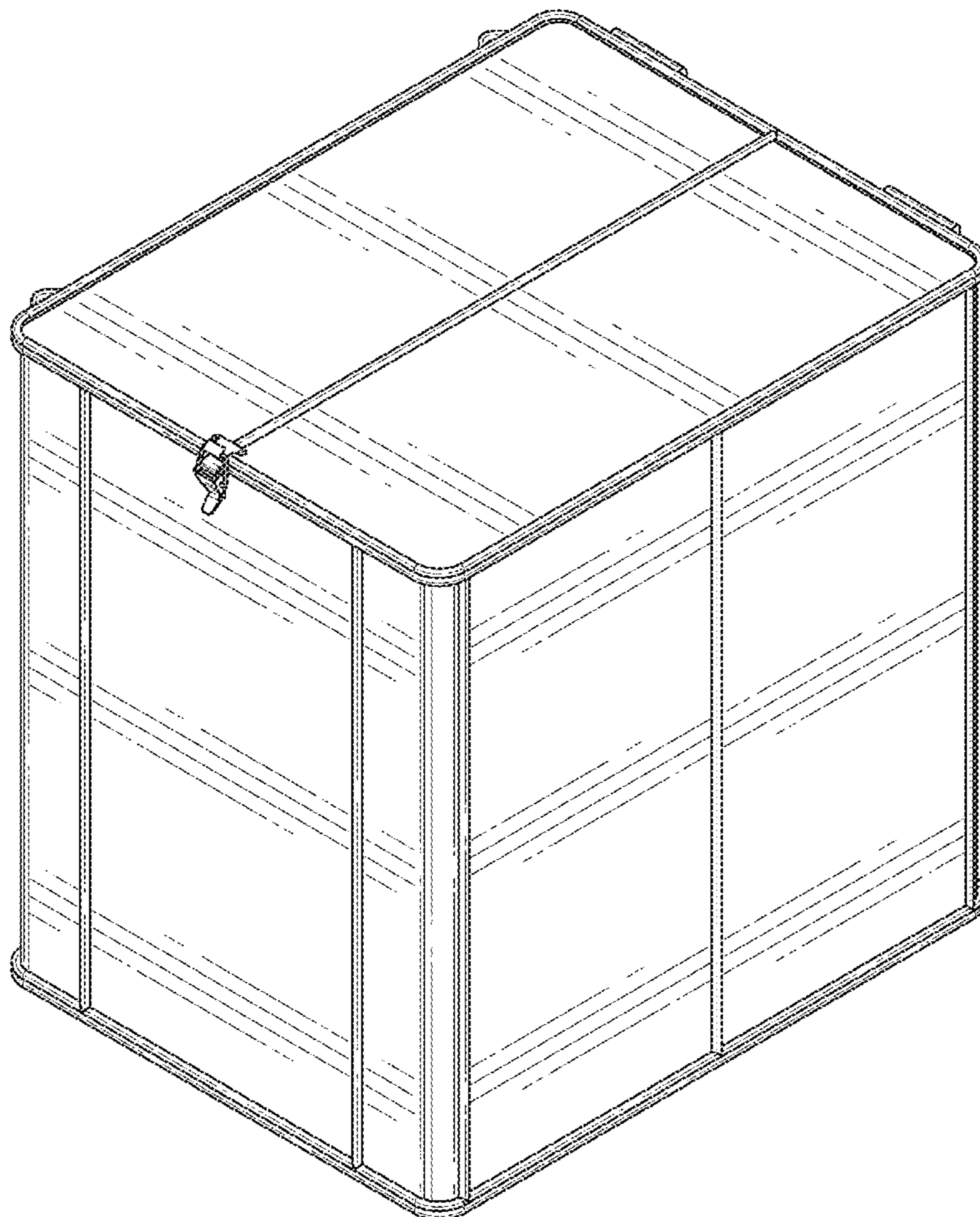
(57) **CLAIM**

The ornamental design for a storage container, as shown and described.

DESCRIPTION

FIG. 1 is a front isometric view of the storage container of the present invention;
FIG. 2 is rear isometric view thereof;
FIG. 3 is a front view thereof;
FIG. 4 is a rear view thereof;
FIG. 5 is a left-side view thereof;
FIG. 6 is a right-side view thereof; and,
FIG. 7 is a top plan view thereof.

1 Claim, 7 Drawing Sheets



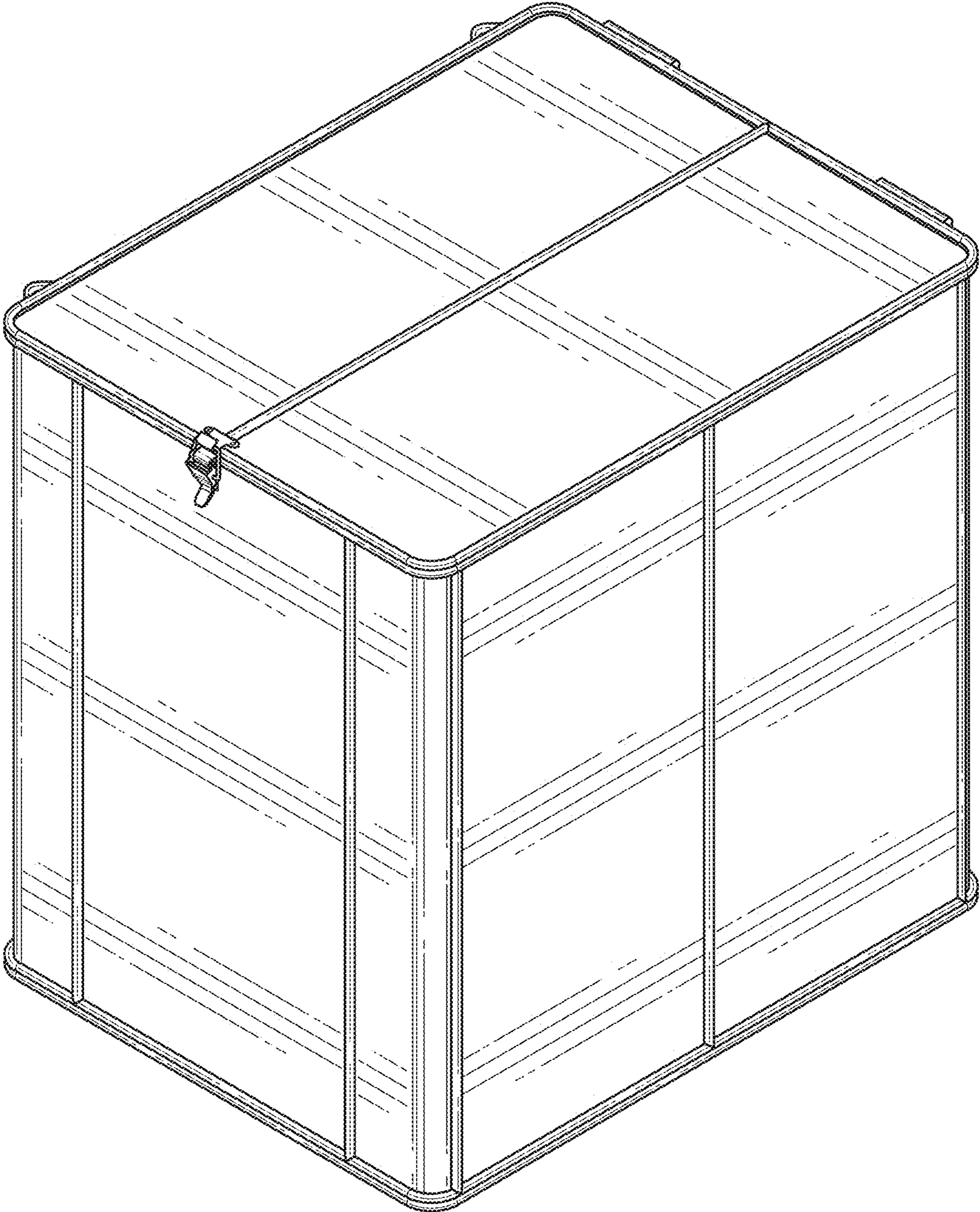


FIG. 1

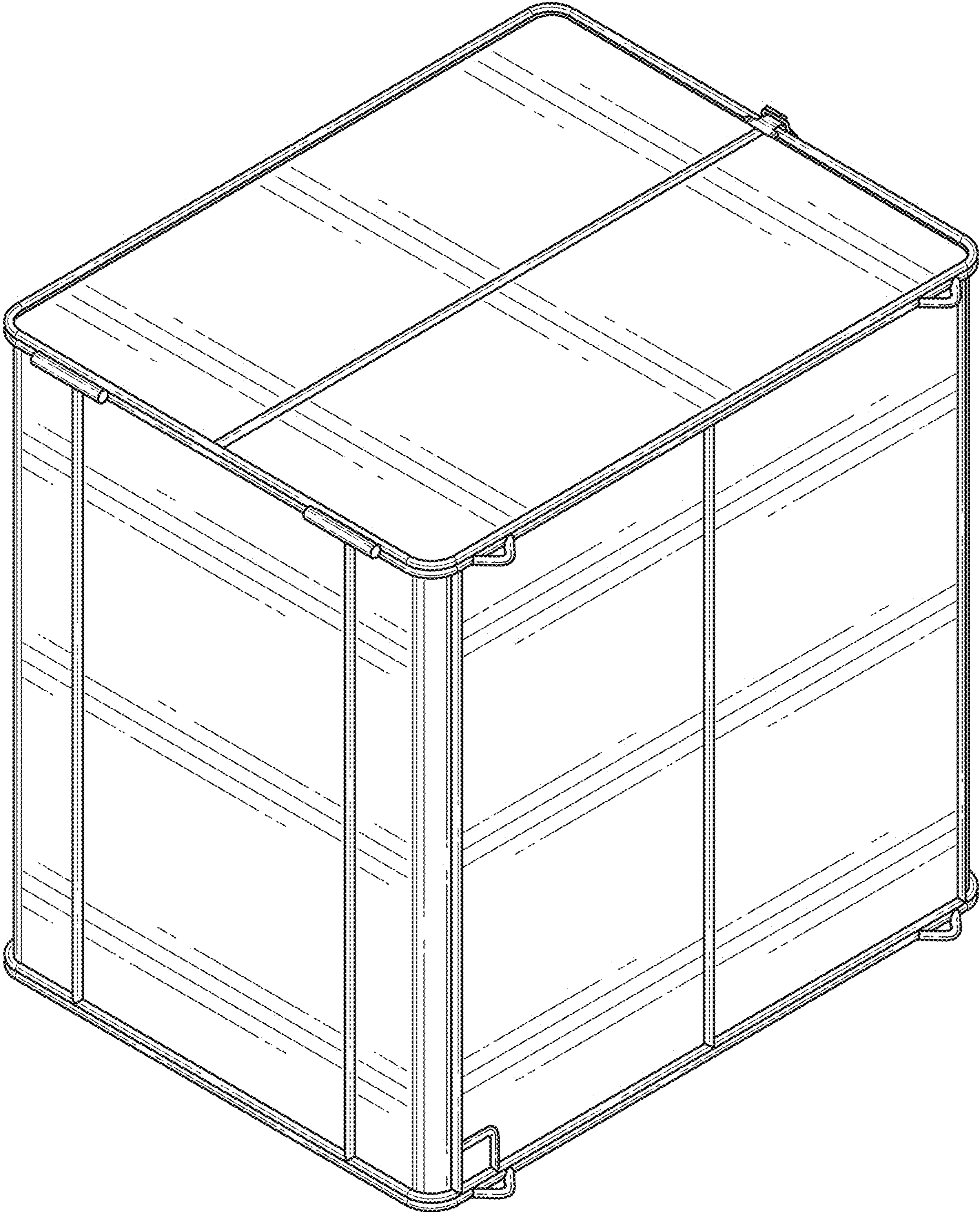


FIG. 2

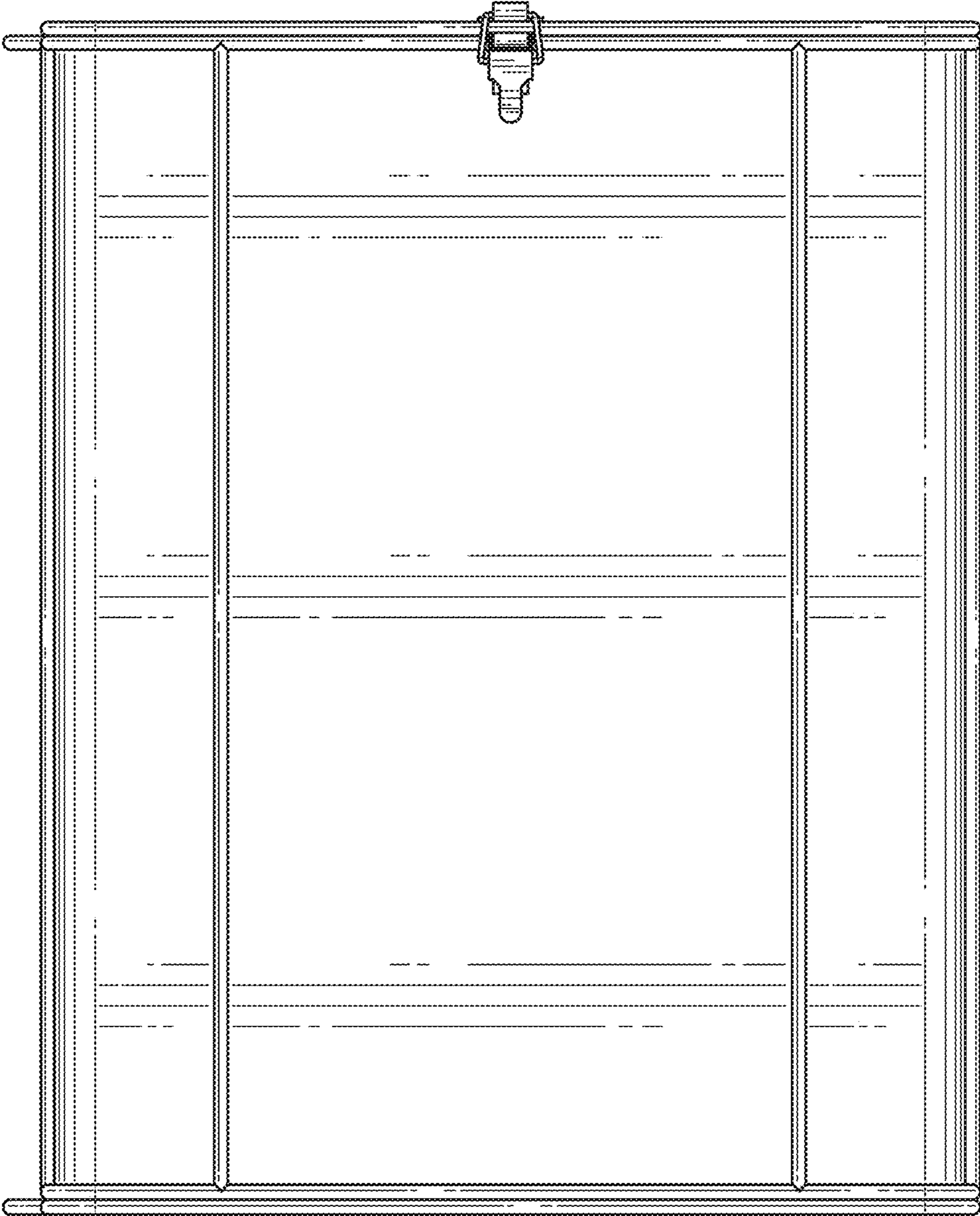


FIG. 3

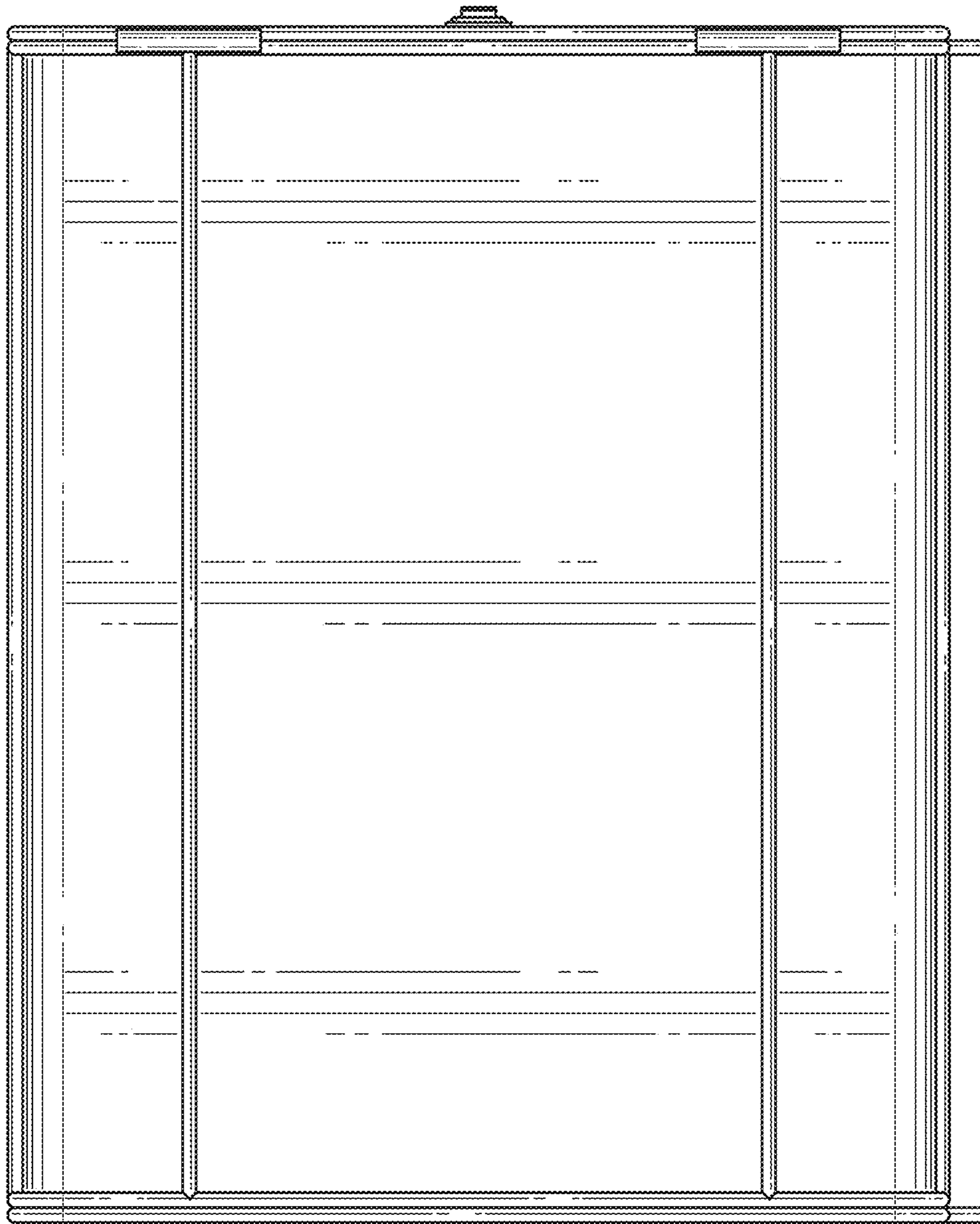


FIG. 4

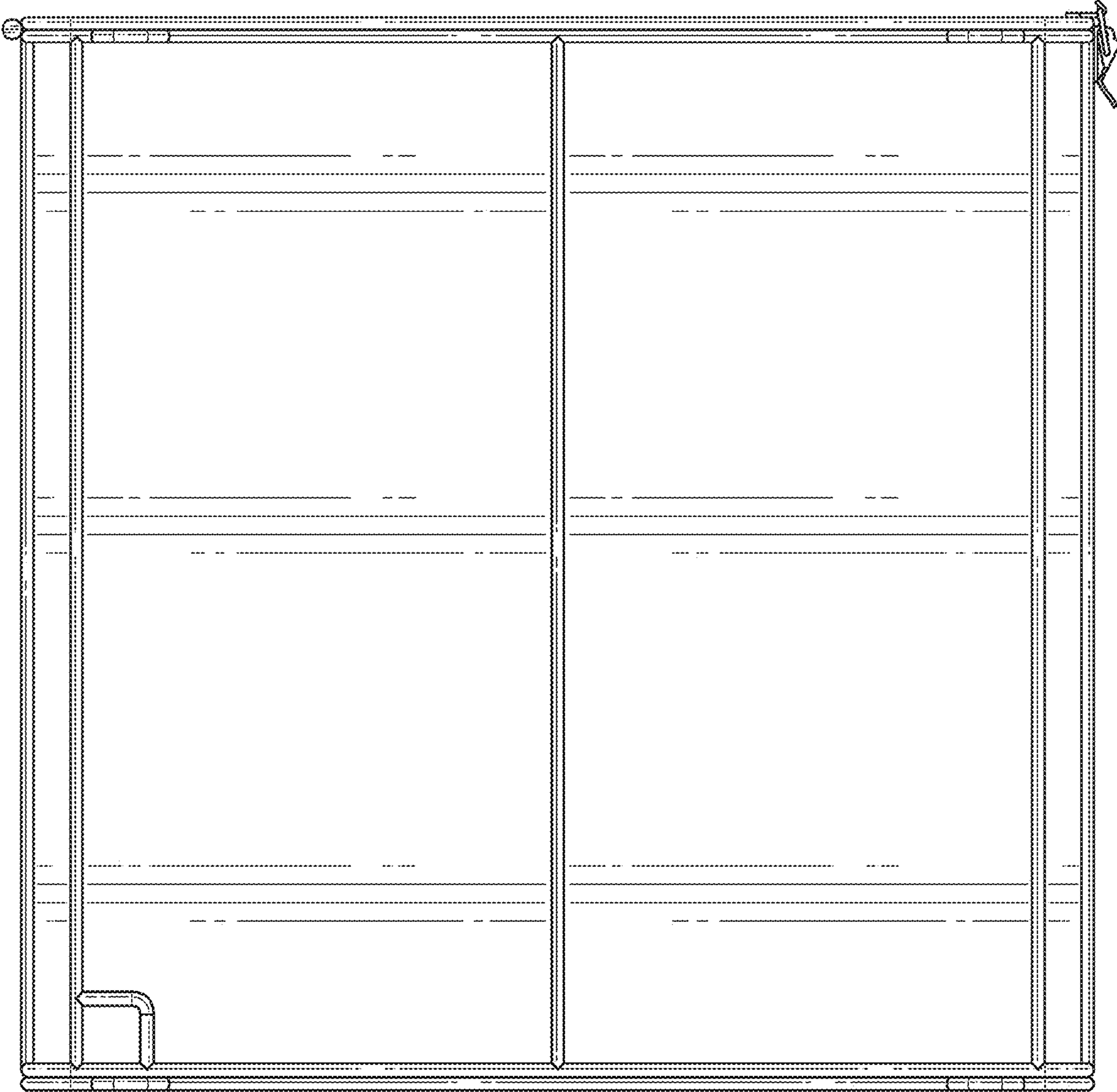


FIG. 5

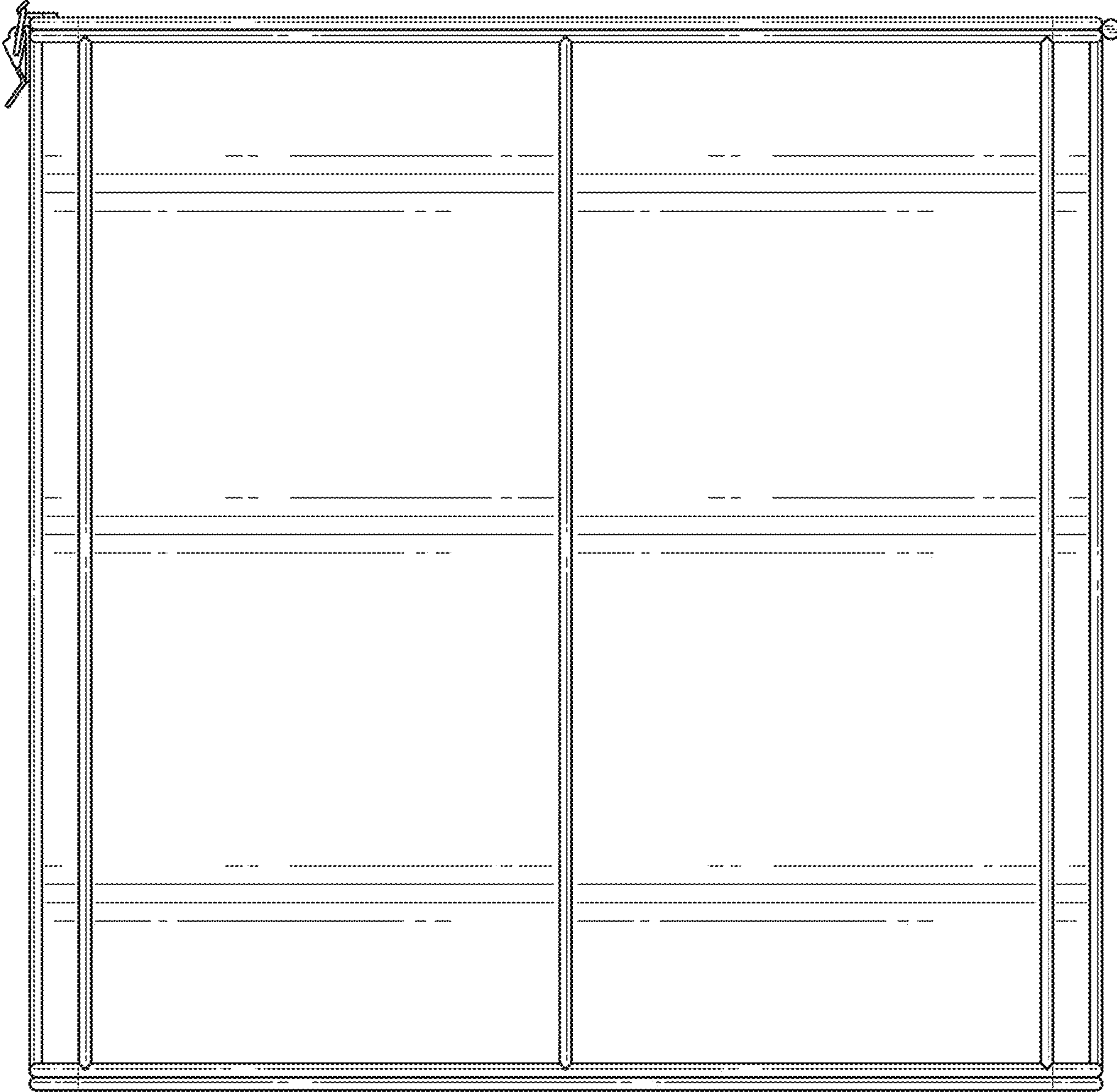


FIG. 6

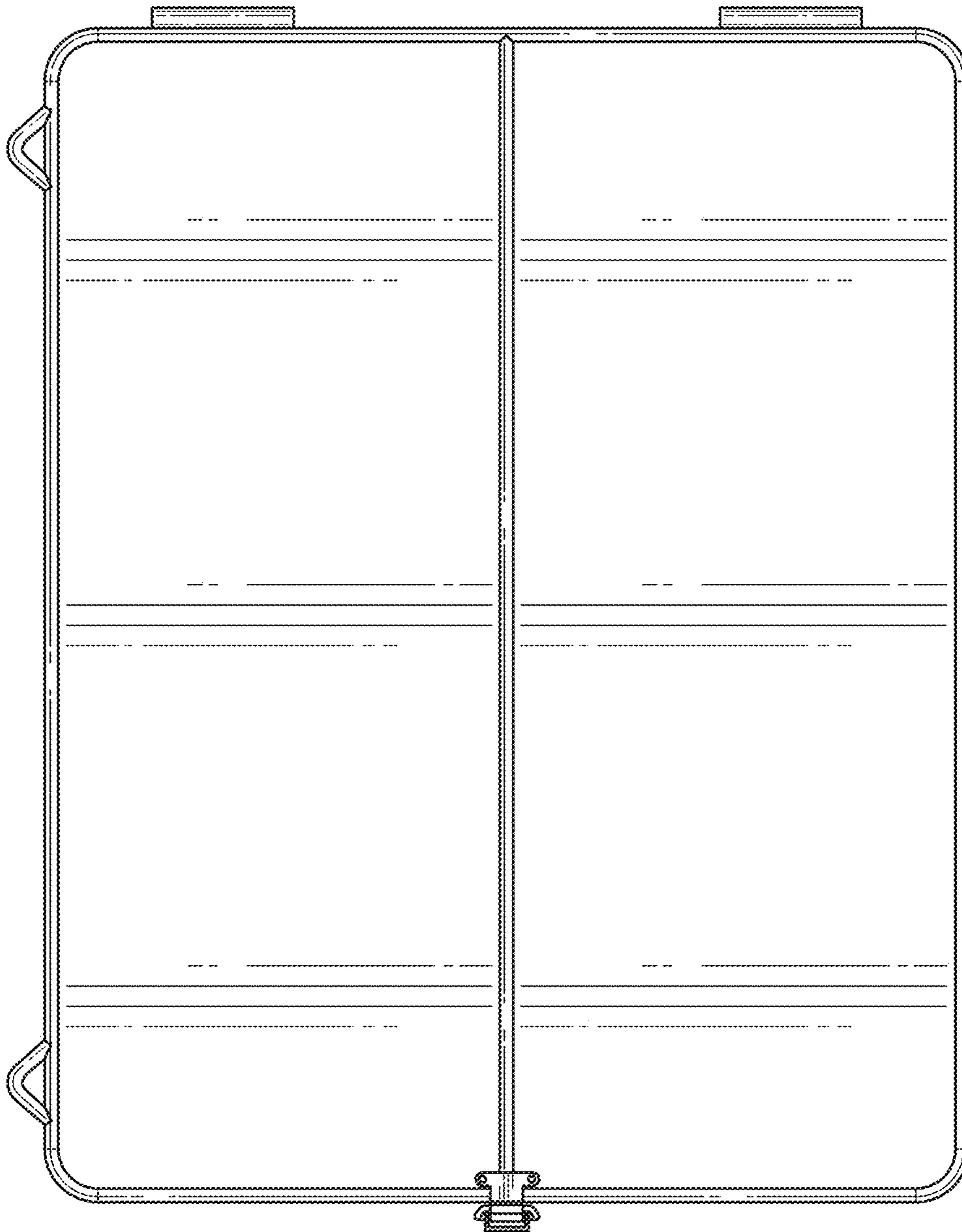


FIG. 7