



US00D919967S

(12) **United States Design Patent** (10) **Patent No.:** **US D919,967 S**
Hamilton (45) **Date of Patent:** **** *May 25, 2021**

(54) **HAT STORAGE CONTAINER**

2543/00074; B65D 2543/00083; B65D 2543/00092; B65D

(71) Applicant: **Jack Hamilton**, London (GB)

(Continued)

(72) Inventor: **Jack Hamilton**, London (GB)

(56) **References Cited**

(*) Notice: This patent is subject to a terminal disclaimer.

U.S. PATENT DOCUMENTS

(**) Term: **15 Years**

D205,909 S * 10/1966 Cline A45C 11/02 D3/269
5,022,515 A * 6/1991 Agostine A45C 11/02 190/13 G

(21) Appl. No.: **35/506,691**

(Continued)

(22) Filed: **Jan. 24, 2019**

Primary Examiner — Keli L Hill

(74) *Attorney, Agent, or Firm* — William H. Bollman

(80) **Hague Agreement Data**

Int. Filing Date: **Jan. 24, 2019**

Int. Reg. No.: **DM/200683**

Int. Reg. Date: **Jan. 24, 2019**

Int. Reg. Pub. Date: **May 3, 2019**

(57) **CLAIM**

The ornamental design for a hat storage container, as shown and described.

(51) **LOC (13) Cl.** **03-01**

DESCRIPTION

(52) **U.S. Cl.**

USPC **D3/269**; D3/294; D9/415; D9/424

The patent or application file contains at least one drawing executed in color. Copies of this patent or patent application publication with color drawing(s) will be provided by the Office upon request and payment of the necessary fee.

(58) **Field of Classification Search**

USPC D9/414, 415, 420, 423, 424, 426, 443; D3/201, 269, 270, 271.4, 273, 276, 291, D3/294, 901, 904; D15/199

CPC B21D 51/26; B21D 51/383; B29C 66/71; B65D 1/00; B65D 1/02; B65D 1/12; B65D 1/14; B65D 1/40; B65D 1/44;

B65D 1/023; B65D 1/0223; B65D 1/165; B65D 1/238; B65D 1/246; B65D 1/253; B65D 7/04; B65D 21/0209; B65D 21/0233; B65D 25/00; B65D 25/28;

B65D 41/0457; B65D 41/17; B65D 53/06; B65D 75/56; B65D 79/005; B65D 2501/0036; B65D 2543/00064; B65D

1. Hat storage container
1.1 is a top and side perspective view shown in a closed configuration.

1.2 is a top, side and front perspective view of 1.1.

1.3 is a front elevation view of 1.1.

1.4 is an opposite side elevation view thereof, shown in an open configuration.

1.5 is a top, side and front perspective view of 1.4.

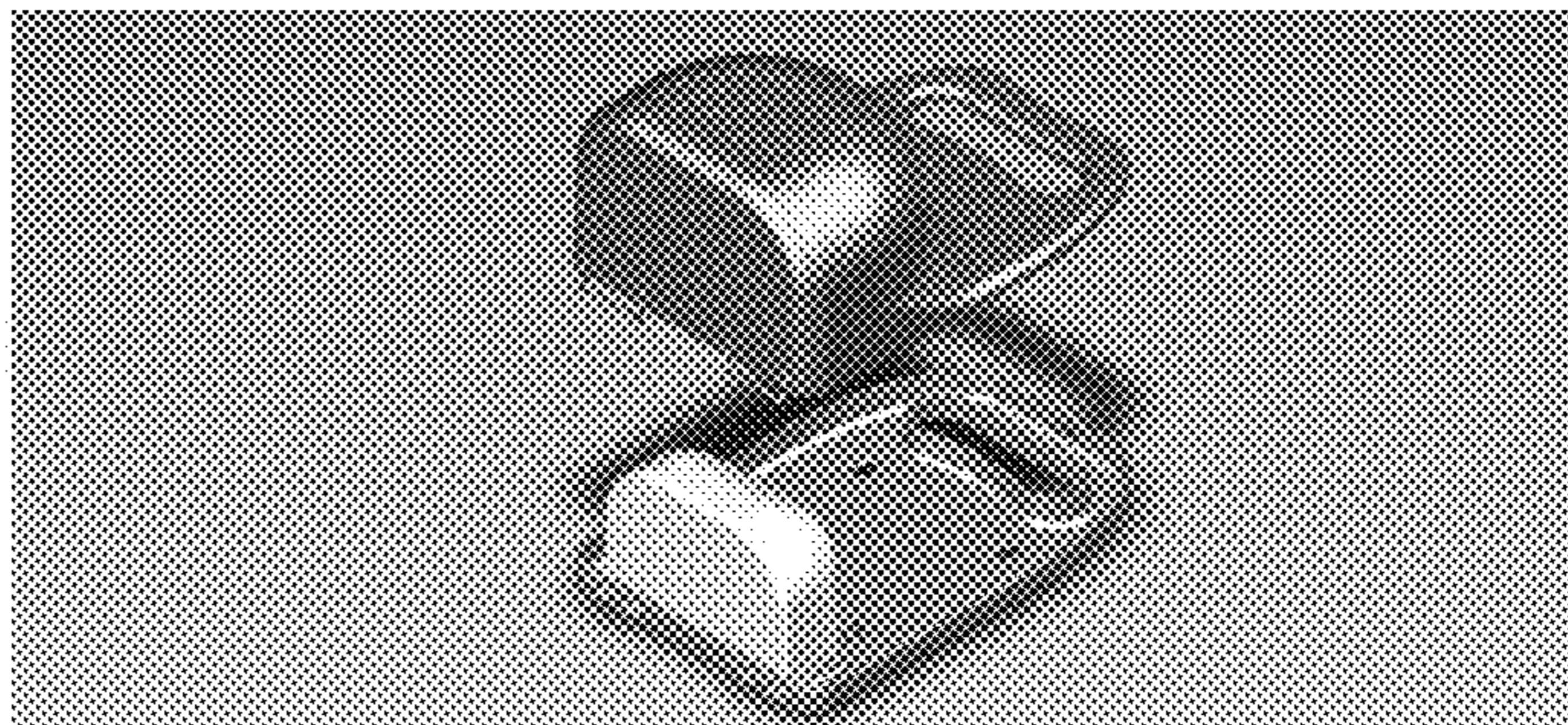
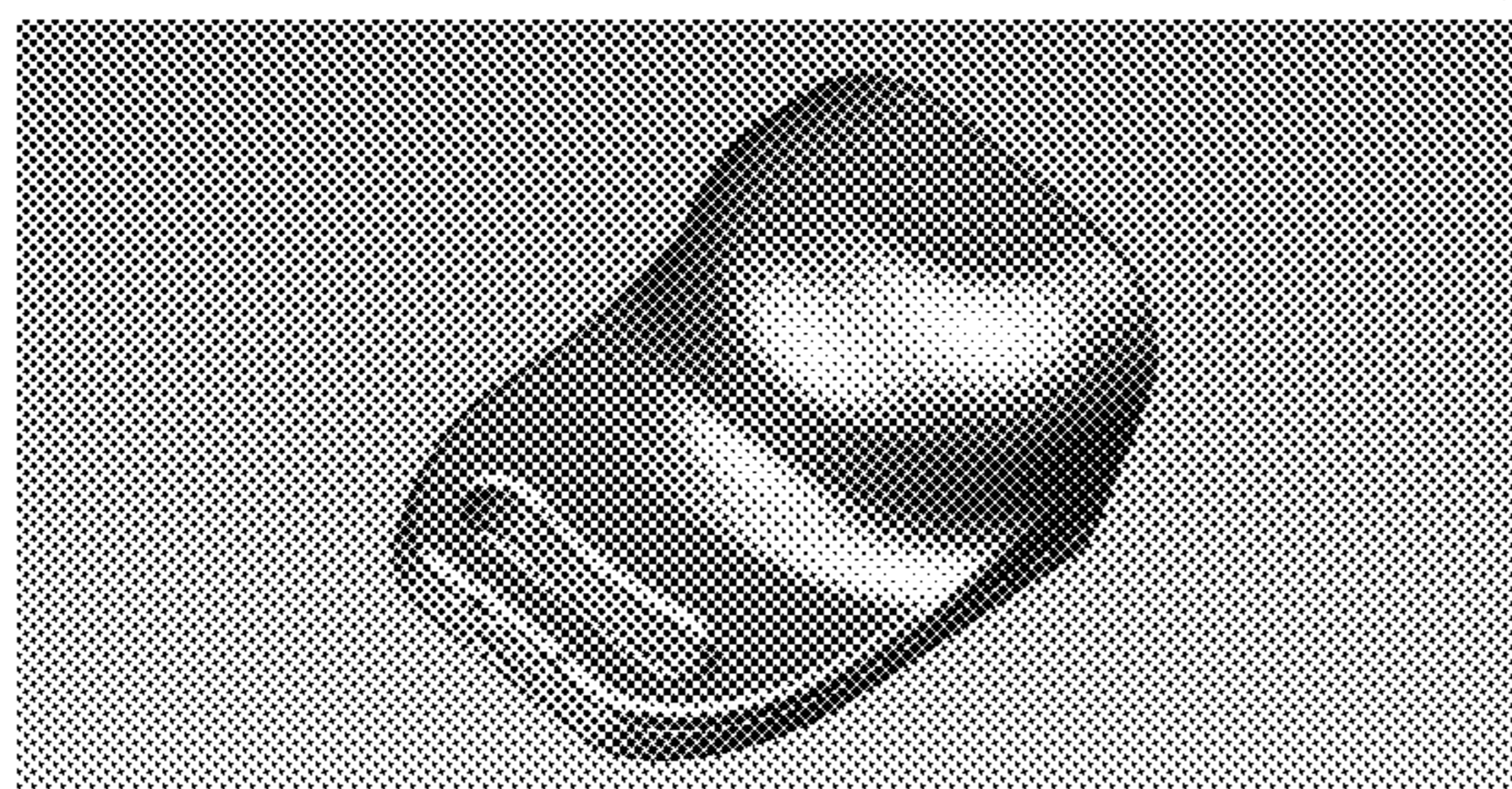
1.6 is a top, opposite side and rear perspective view of 1.4, with hat stop shown in an alternate position.

1.7 is a top, opposite side and rear perspective view of 1.1.

1.8 is a top plan view of 1.1.

The present invention/industrial design is a hat storage container for storing and transporting a plurality of hats; the present invention features 3 constituent parts: lid portion, base portion and hat stop portion; the lid portion and the base portion are interconnected by a hinge to form a clamshell case; the hat stop portion can be interconnected with the base

(Continued)



portion; whilst interconnected, the hat stop portion can be adjusted to a forward or rear position, as required; the hat stop portion is removable.

**1 Claim, 8 Drawing Sheets
(8 of 8 Drawing Sheet(s) Filed in Color)**

(58) **Field of Classification Search**

CPC 2543/00101; B65D 2543/00111; Y10T
29/49826; A45C 11/02

See application file for complete search history.

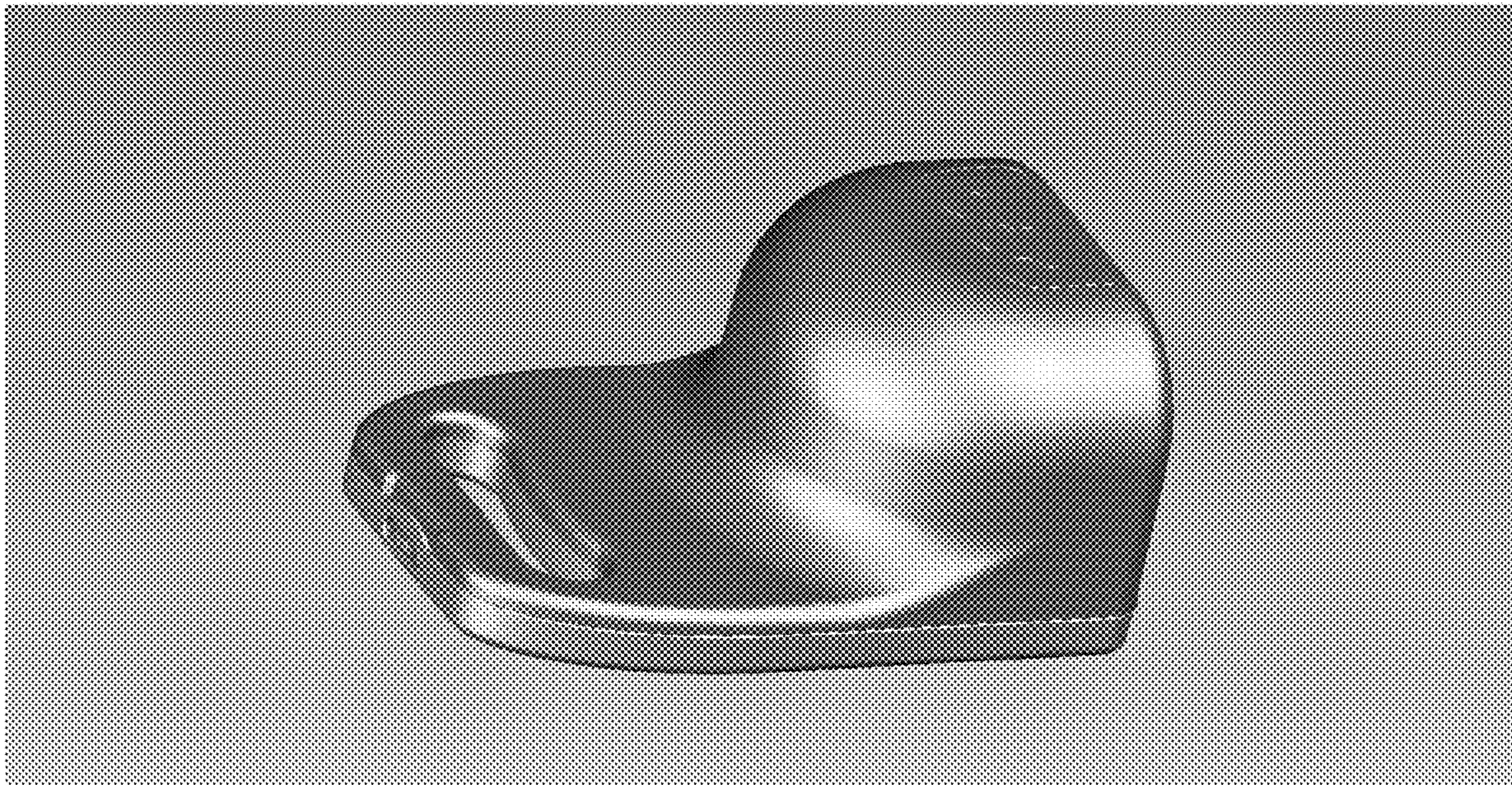
(56) **References Cited**

U.S. PATENT DOCUMENTS

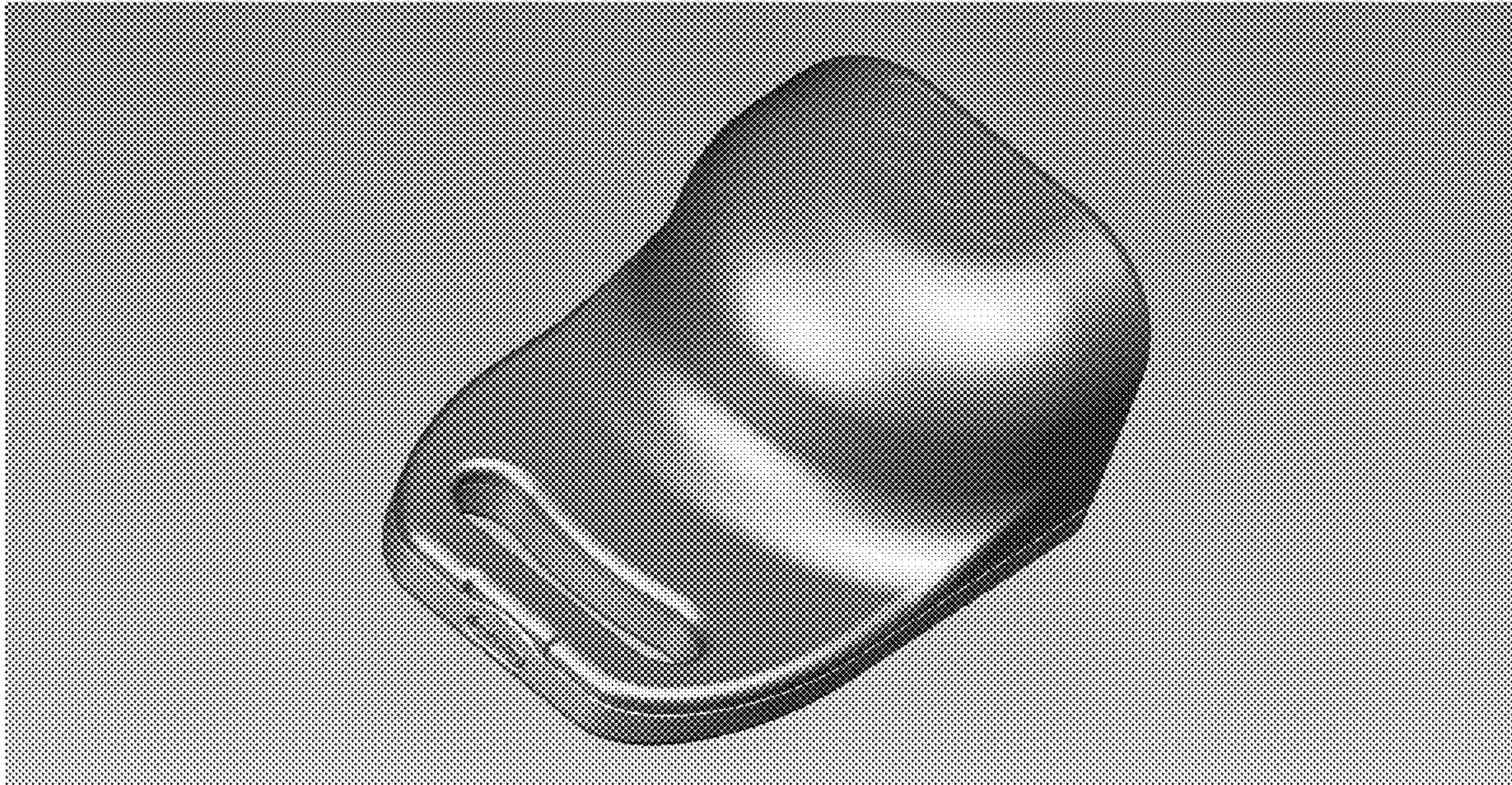
D355,600 S *	2/1995	Ford	A45C 11/02
				D9/415
D363,620 S *	10/1995	Schwepe	A45C 11/02
				D6/658
D402,808 S *	12/1998	Deloach	D3/269
5,865,333 A *	2/1999	Wolfe	A45C 11/02
				220/4.21
D469,010 S *	1/2003	Valdez	D9/415
D544,206 S *	6/2007	Lindars	D3/269
D544,207 S *	6/2007	Lindars	D3/269
10,433,625 B1 *	10/2019	Belizaire	A45C 11/02
2005/0211574 A1 *	9/2005	Reeve	A45C 11/02
				206/8
2007/0199833 A1 *	8/2007	Hunt, Sr.	A45C 11/02
				206/8
2017/0231346 A1 *	8/2017	Todmann	A45C 11/02
				206/8

* cited by examiner

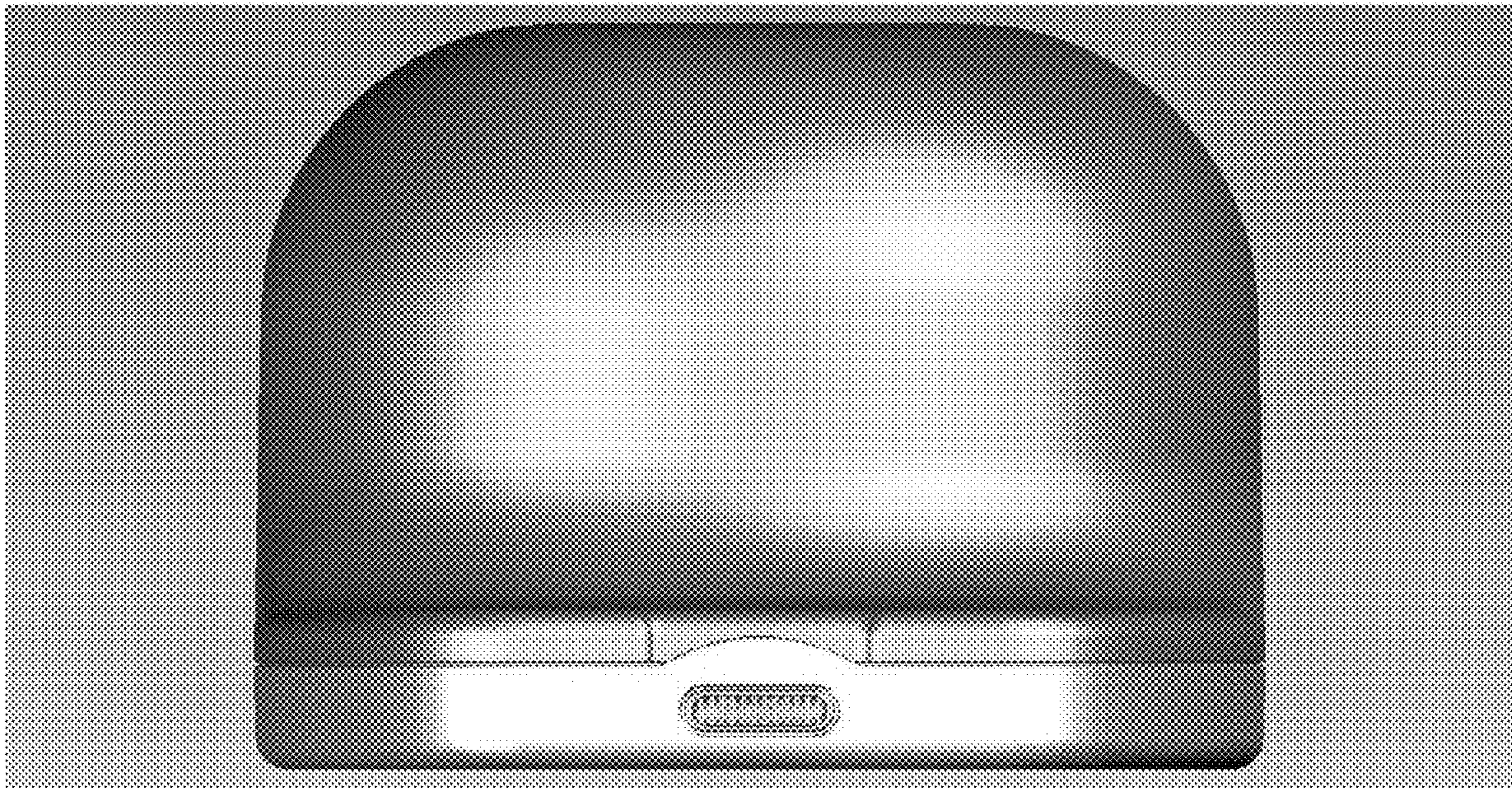
1.1



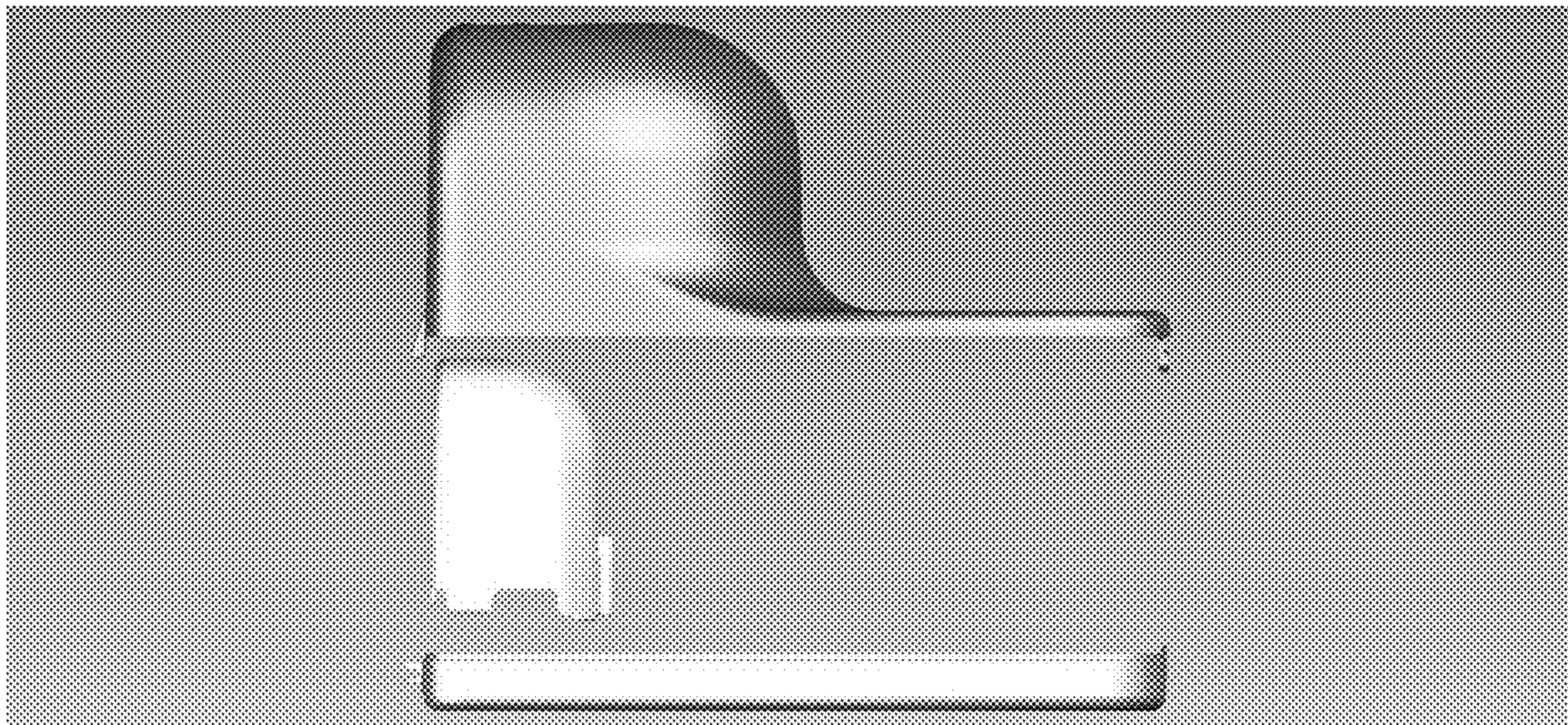
1.2



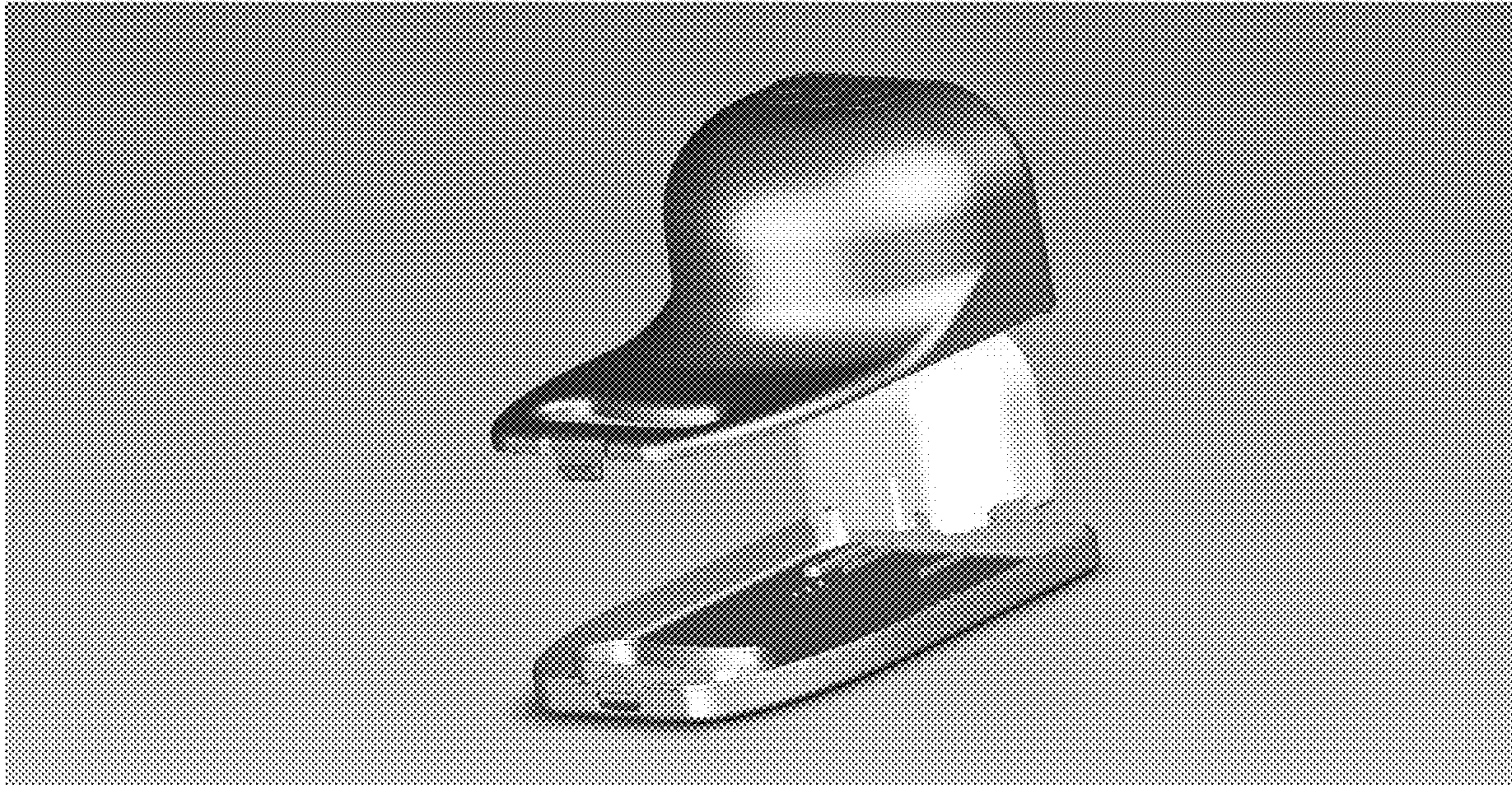
1.3



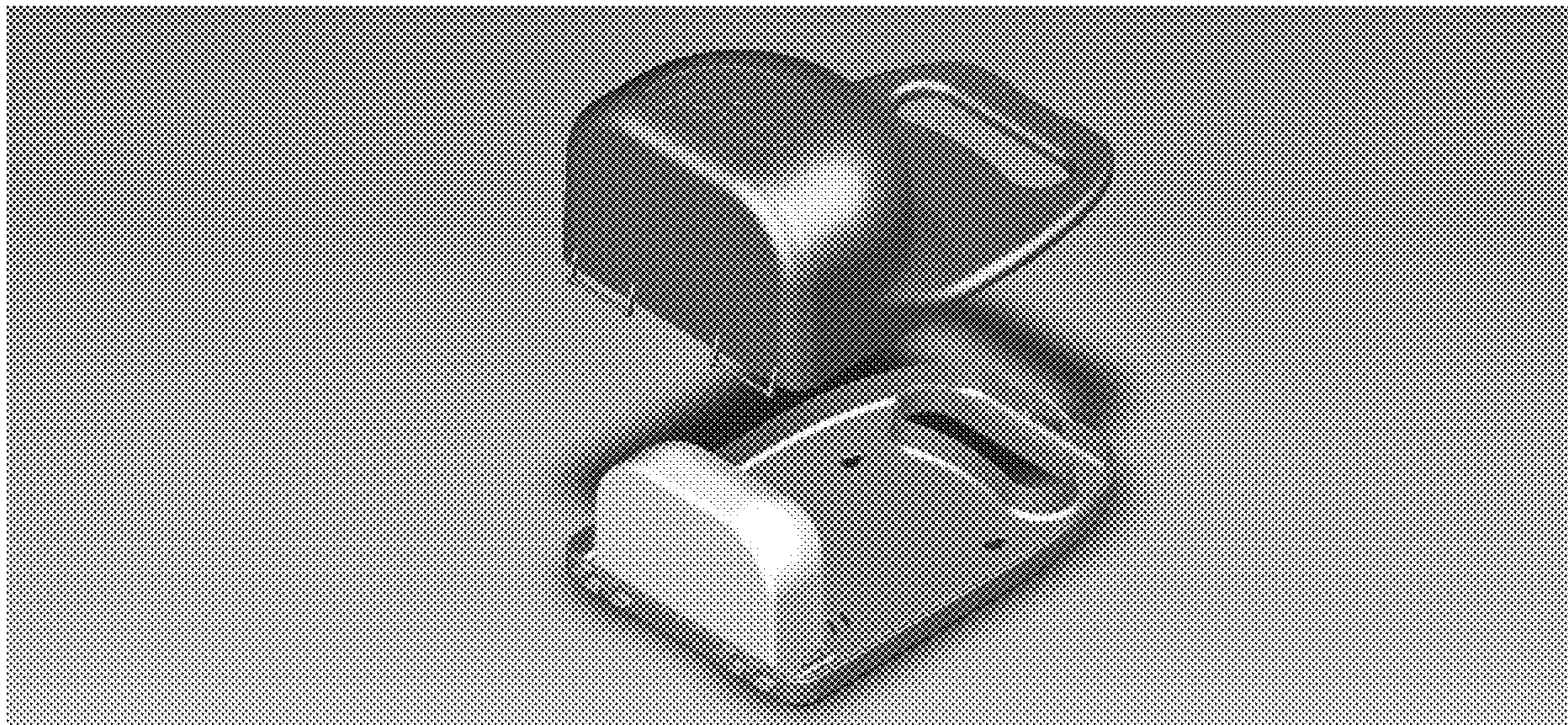
1.4



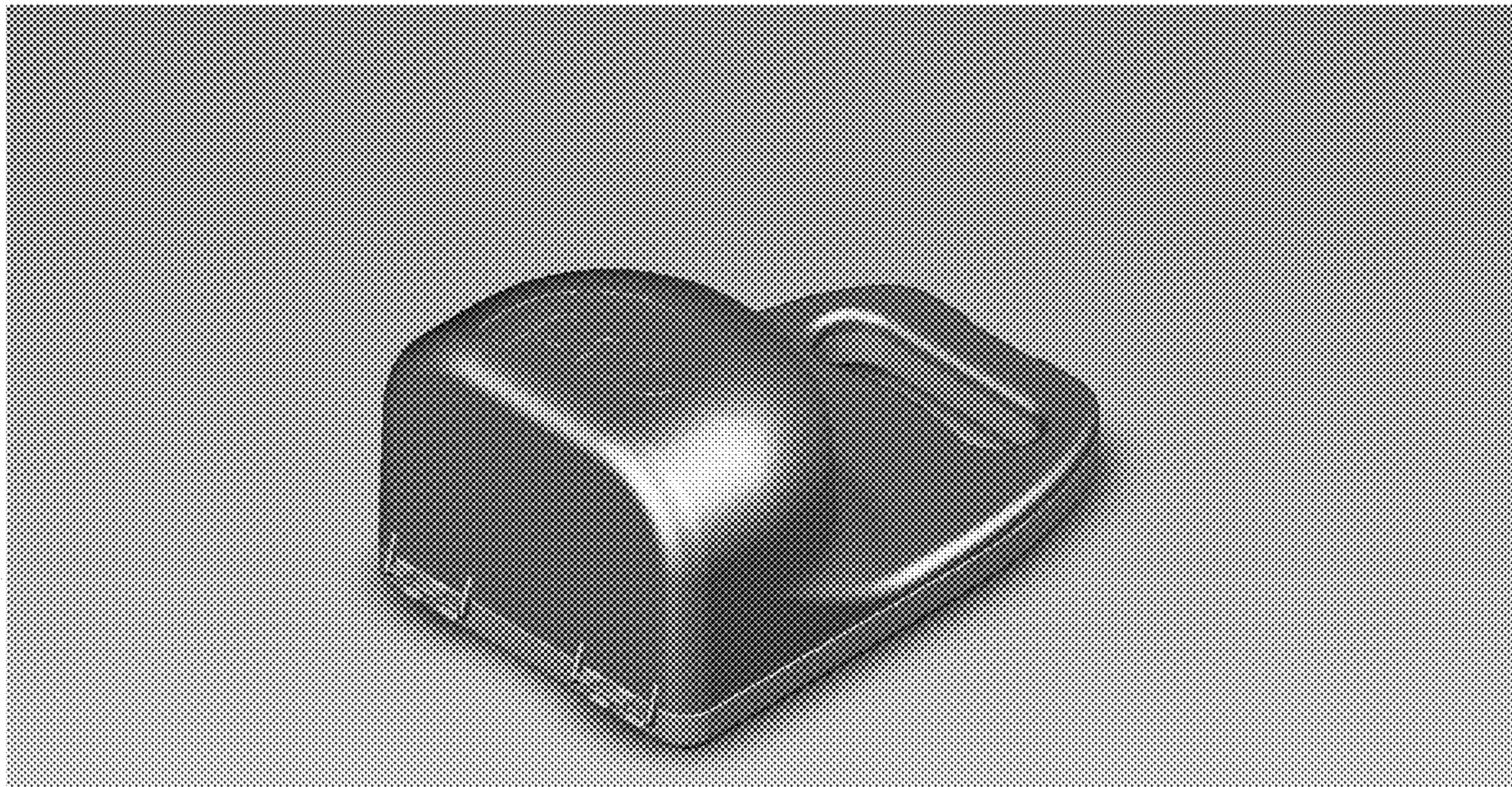
1.5



1.6



1.7



1.8

