



US00D919965S

(12) **United States Design Patent** (10) **Patent No.:** **US D919,965 S**  
**Xia** (45) **Date of Patent:** **\*\* May 25, 2021**

(54) **HOLSTER**

(71) Applicant: **Guiqing Xia**, Nanyang (CN)

(72) Inventor: **Guiqing Xia**, Nanyang (CN)

(\*\*) Term: **15 Years**

(21) Appl. No.: **29/761,211**

(22) Filed: **Dec. 8, 2020**

(51) **LOC (13) Cl.** ..... **03-01**

(52) **U.S. Cl.**  
USPC ..... **D3/222**

(58) **Field of Classification Search**

USPC ..... D3/222-223, 224, 226, 228, 269;  
224/163, 191-193, 197-198, 238,  
224/243-244, 246, 252-253, 272, 291,  
224/587, 665, 672-674, 682, 901.4,  
224/911-912; 89/34; 42/106; 206/3  
CPC .... A45F 3/14; A45F 5/02; A45F 5/021; A45F  
5/022; A45F 2200/05; A45F 2005/05;  
A45F 2200/025; A45F 2200/0591; F41C  
33/02; F41C 33/06; F41C 33/0209; F41C  
33/0236; F41C 33/041; F41C 33/045;  
F41C 33/046; F41C 33/0227; F41C  
33/0254; F41C 33/0263; F41C 33/0218  
See application file for complete search history.

(56) **References Cited**

**U.S. PATENT DOCUMENTS**

D501,991 S \* 2/2005 Cook ..... D3/222  
D512,561 S \* 12/2005 Cook ..... D3/222  
D784,008 S 4/2017 Rogers et al.  
D798,586 S \* 10/2017 Dara ..... D3/222  
D841,319 S \* 2/2019 Tang ..... D3/222  
D860,641 S \* 9/2019 Smith ..... D3/222

D874,131 S 2/2020 Zhang  
D912,399 S \* 3/2021 Sun ..... D3/222  
2017/0115095 A1\* 4/2017 Moultrie ..... F41C 33/048

**OTHER PUBLICATIONS**

Taurus G2C Holsters, IWB Kydex Holster For Taurus G2C 9mm & Millennium PT111 G1/PT 140 Inside Waistband Concealed Carry-Kydex Holster Taurus PT111 G2C Pistol Case—Adj. Height Cant, Entrance Widen . . . <https://www.amazon.com/Taurus-G2C-> (Year: 2019).\*

Holsters-IWB-Fit/dp/B07ZNDBNHX/ref=sr\_1\_33?dchild=1 &keywords=Taurus+G2C+Holsters%2C+IWB+kydex+holster+for+taurus+g2c+9mm+%26+millennium+pt111+g2%2Fpt140+inside+waistband+concealed+carry-kydex+holster+taurus+pt111+g2c+pisto+case-adj.+height+cant%2C+entrance+widen&qid=1616618494&sr=8-33.\*

\* cited by examiner

*Primary Examiner* — Catherine R Oliver-Garcia

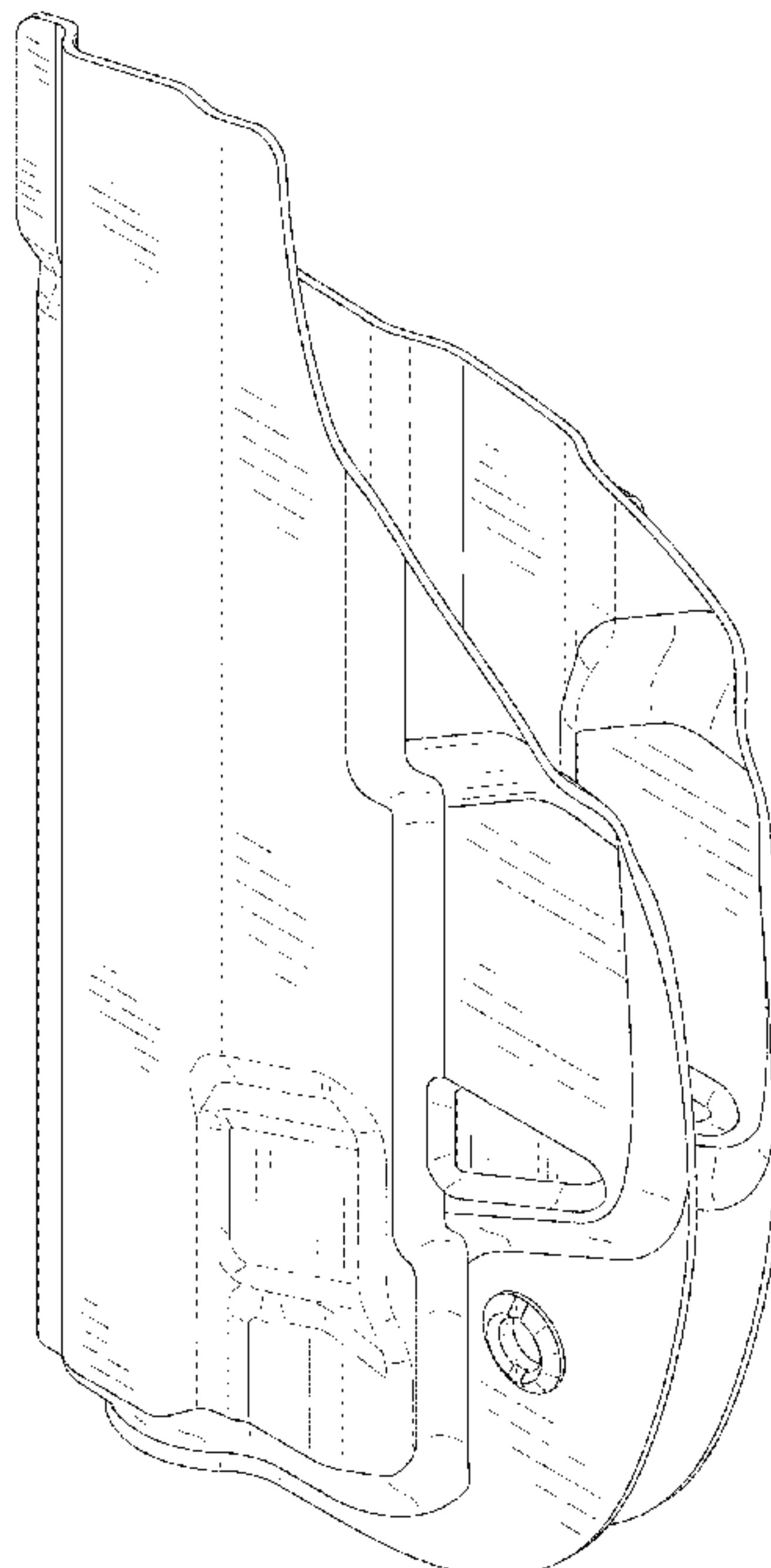
(57) **CLAIM**

The ornamental design for a holster, as shown and described.

**DESCRIPTION**

FIG. 1 is a perspective view of a holster showing my new design;  
FIG. 2 is another perspective view thereof;  
FIG. 3 is a front elevational view thereof;  
FIG. 4 is a rear elevational view thereof;  
FIG. 5 is a left side elevational view thereof;  
FIG. 6 is a right side elevational view thereof;  
FIG. 7 is a top plan view thereof; and,  
FIG. 8 is a bottom plan view thereof.  
The broken lines in the drawings depict portions of the holster that form no part of the claimed design.

**1 Claim, 8 Drawing Sheets**



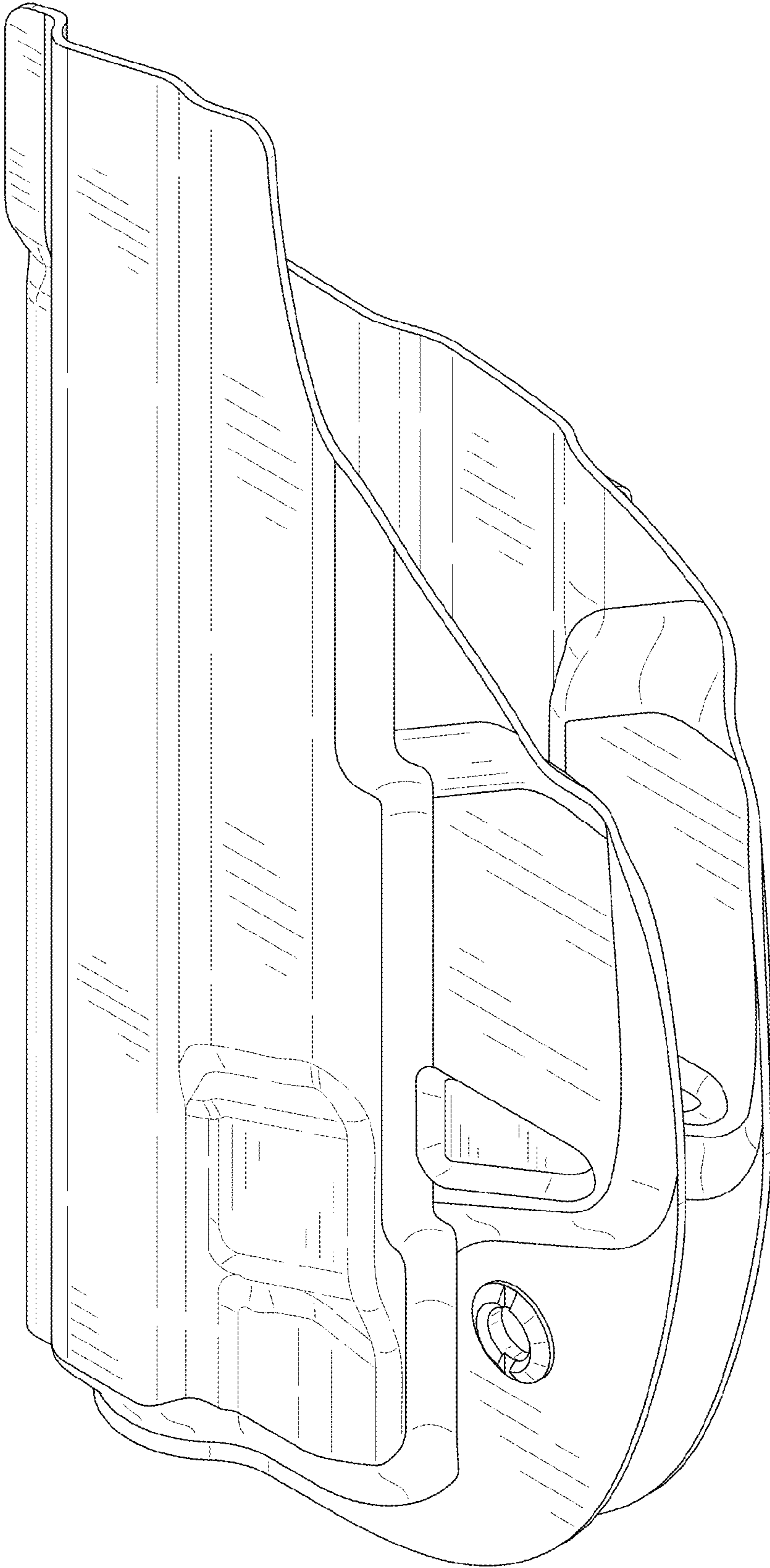


FIG. 1

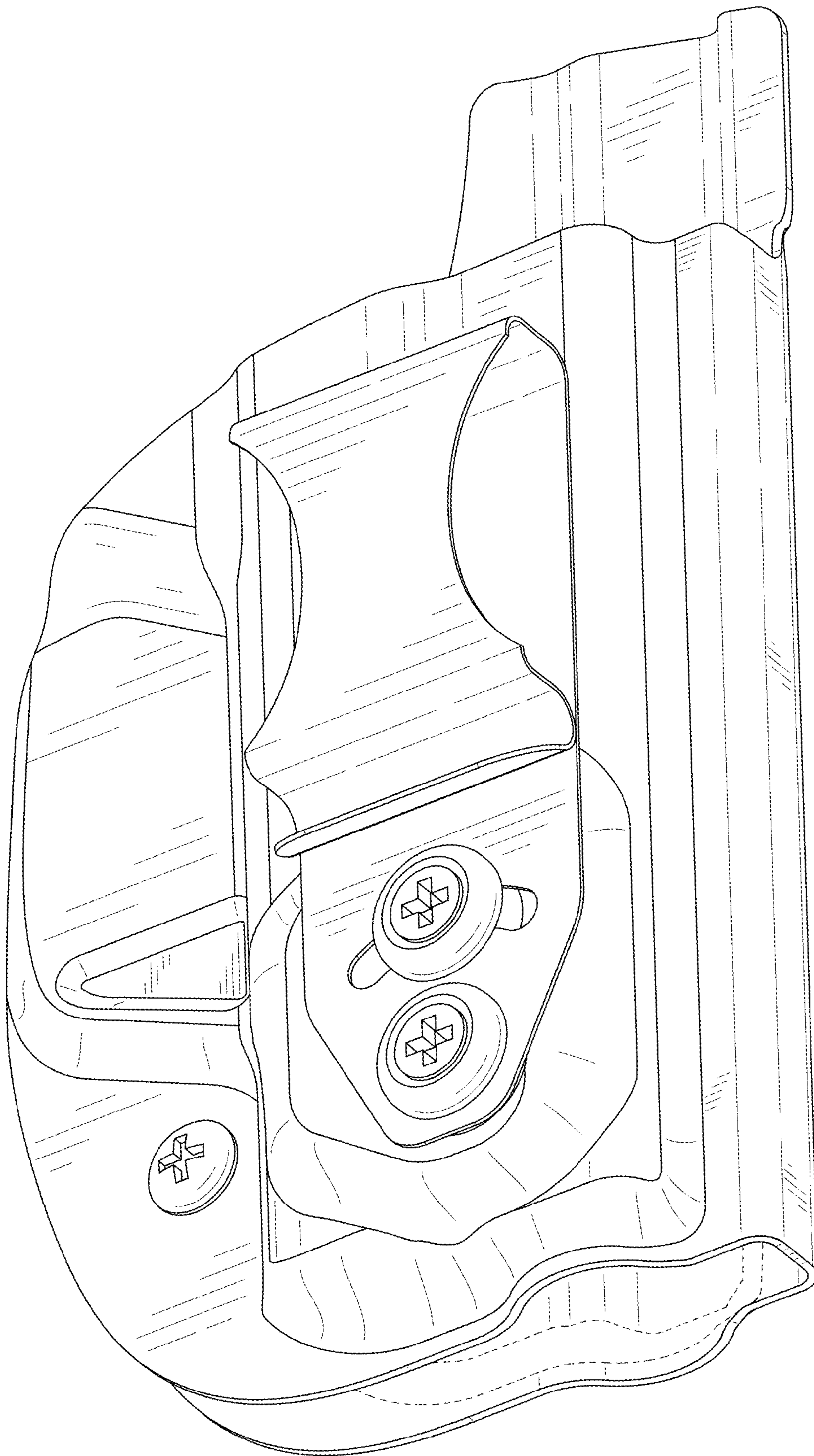


FIG. 2



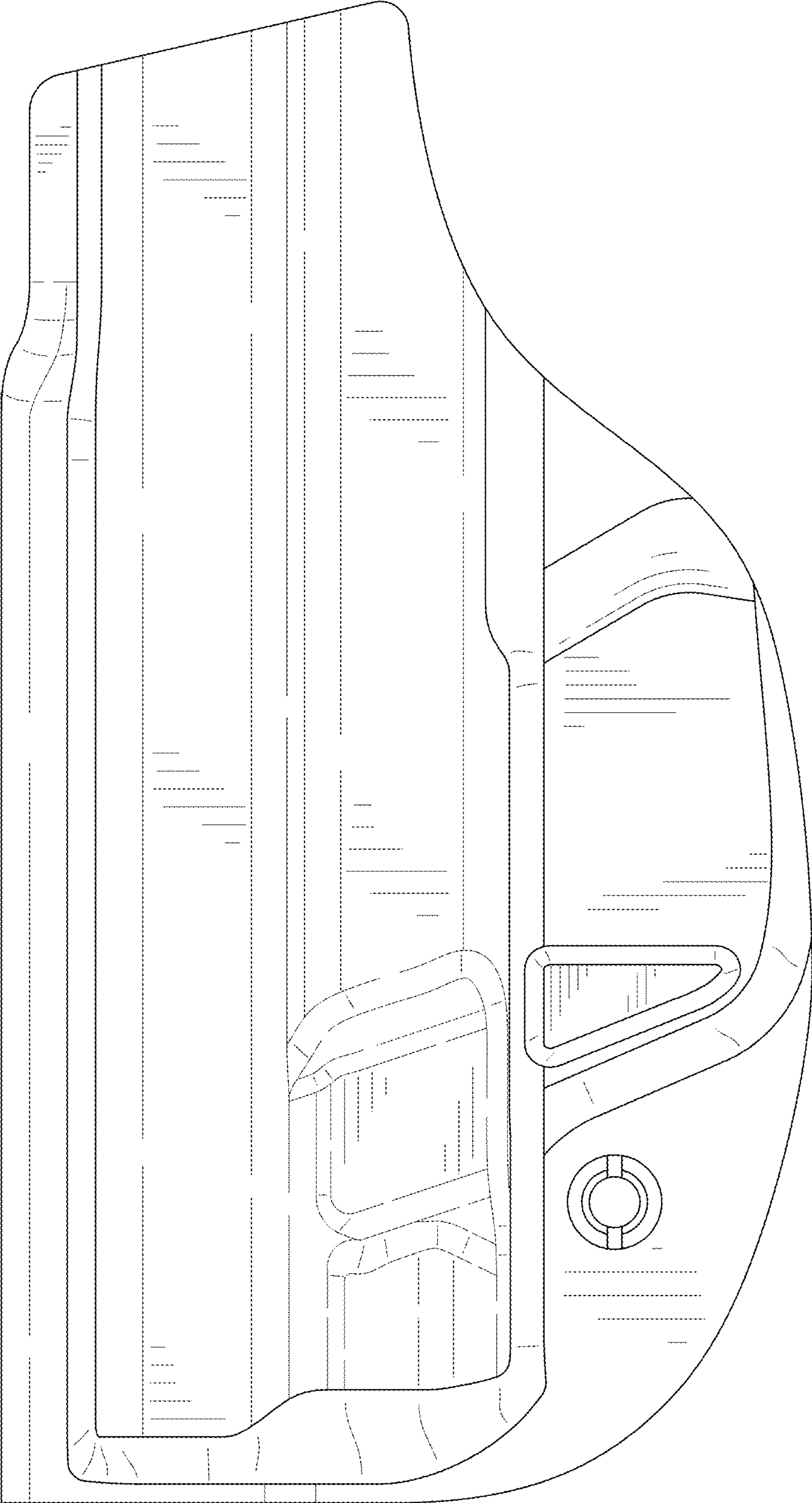


FIG. 3

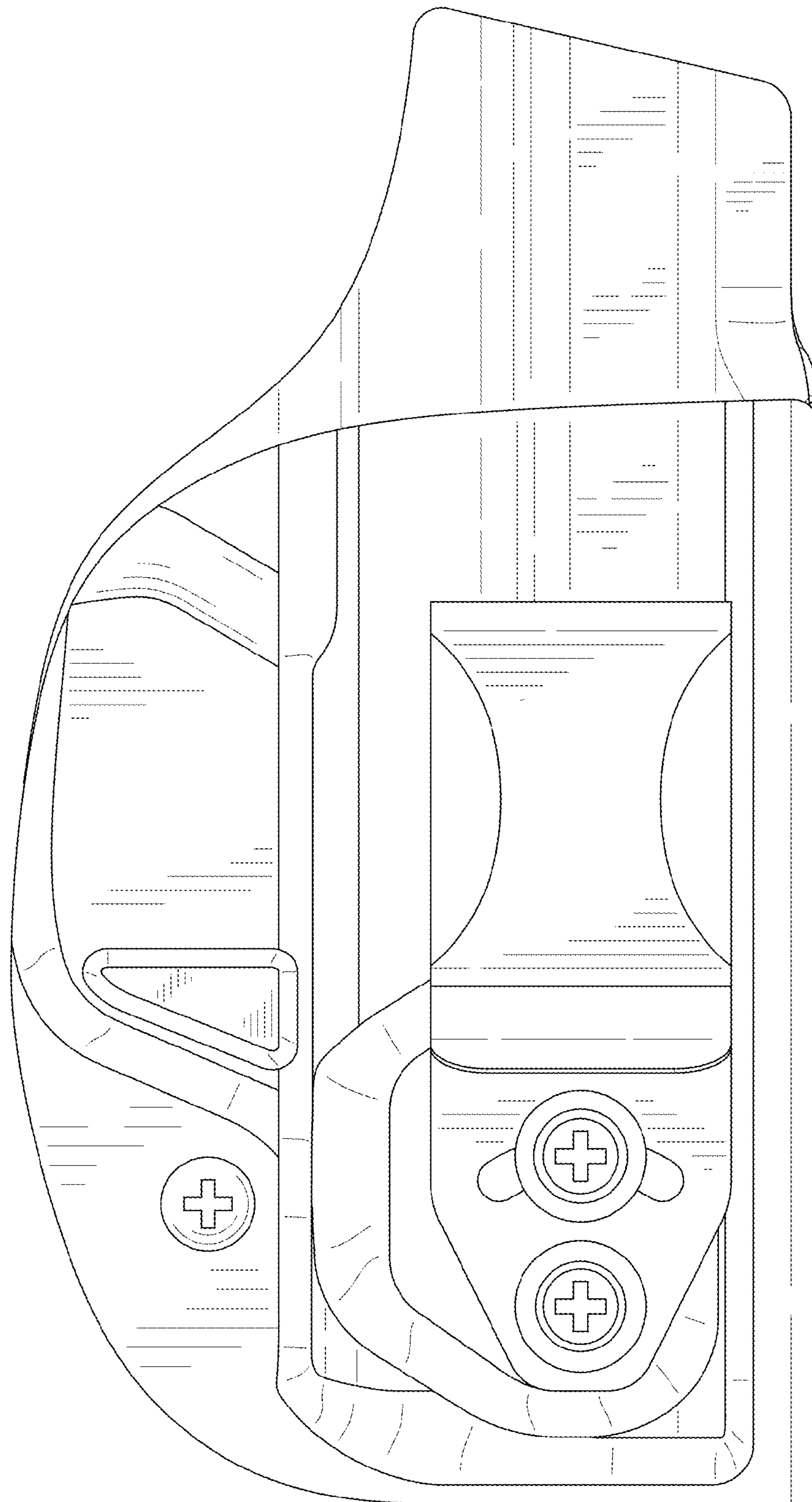


FIG. 4

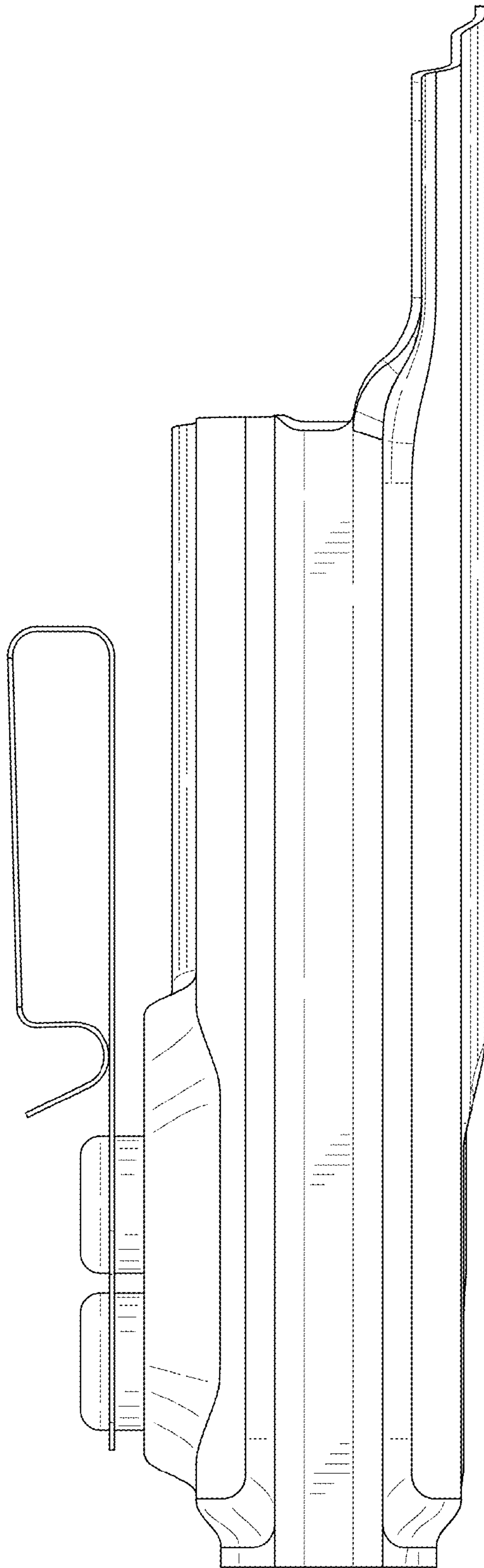


FIG. 5

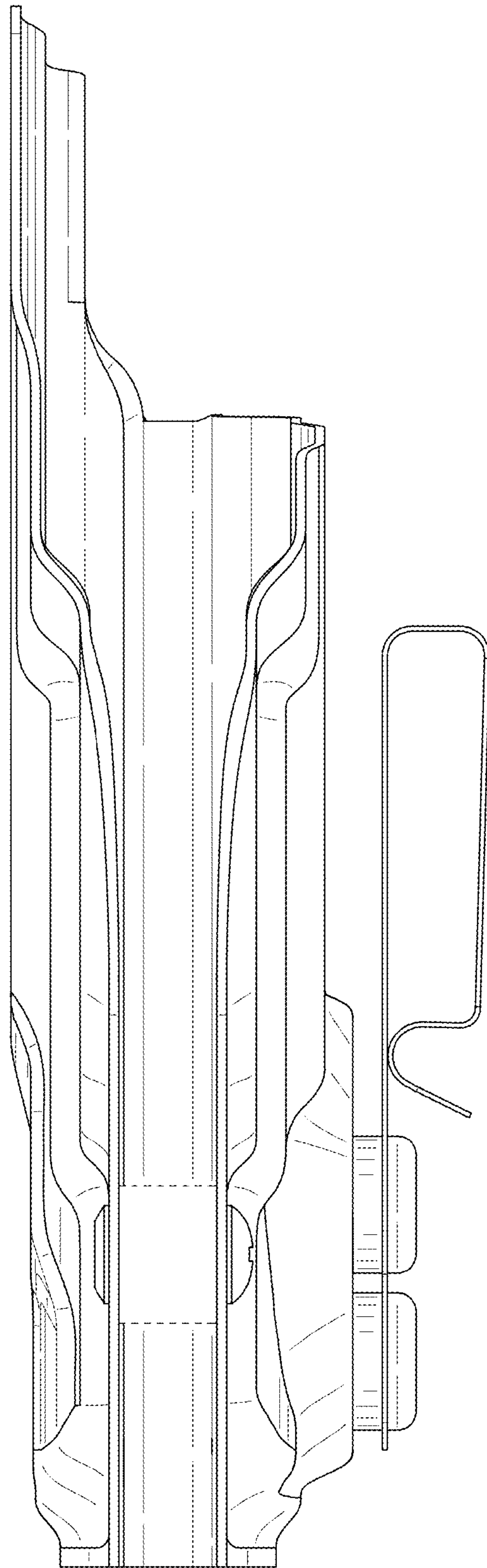


FIG. 6

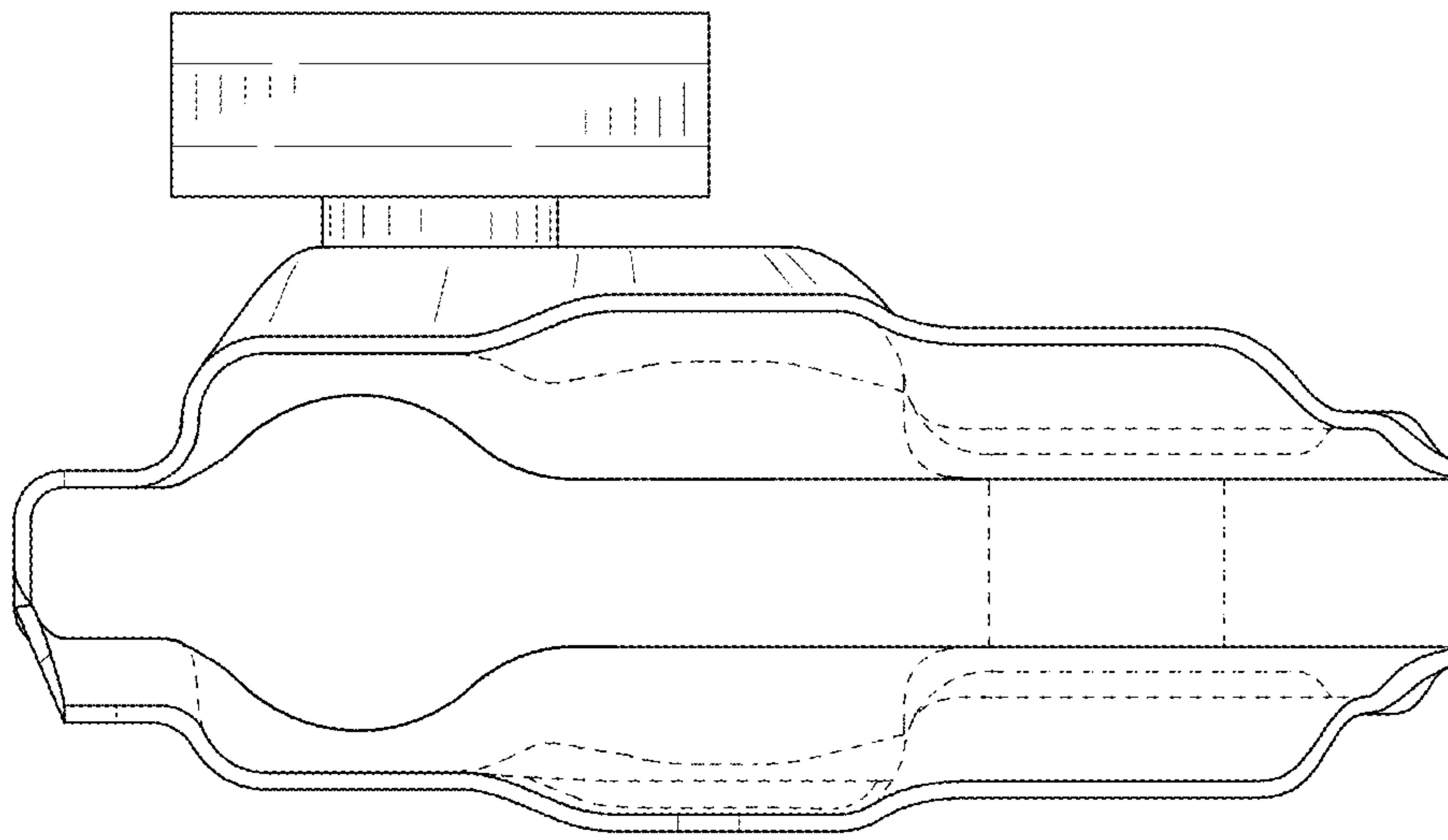


FIG. 7



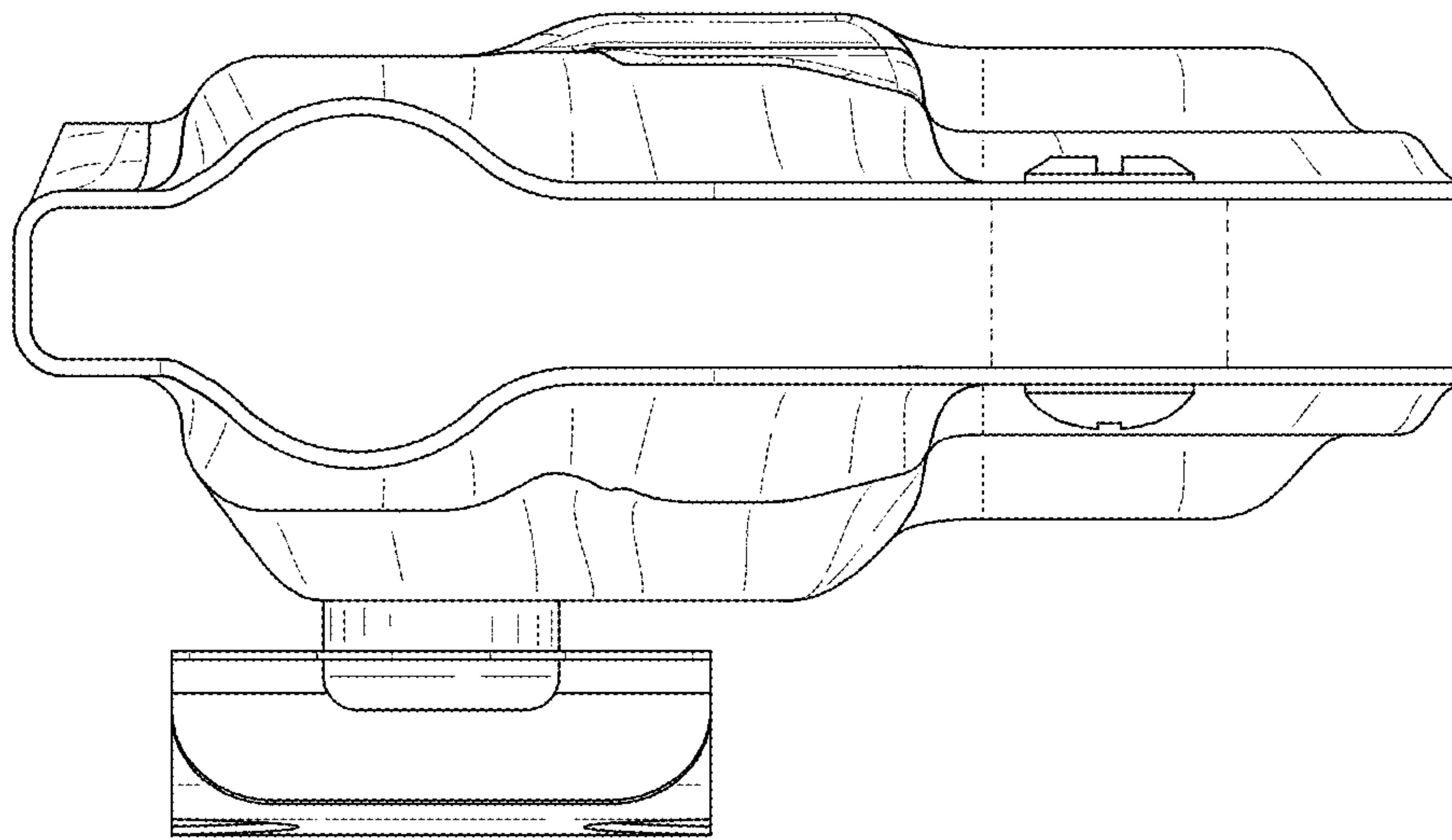


FIG. 8