



US00D919964S

(12) **United States Design Patent** (10) **Patent No.:** **US D919,964 S**
Evans (45) **Date of Patent:** **** May 25, 2021**

(54) **LEVERAGE ARM FOR A HOLSTER OR AMMUNITION HOLDER**

(71) Applicant: **Edge-Works Manufacturing Co.**,
Burgaw, NC (US)

(72) Inventor: **Scott V. Evans**, Jacksonville, NC (US)

(73) Assignee: **Edge-Works Manufacturing Company**,
Burgaw, NC (US)

(**) Term: **15 Years**

(21) Appl. No.: **29/680,008**

(22) Filed: **Feb. 12, 2019**

(51) **LOC (13) Cl.** **03-01**

(52) **U.S. Cl.**
USPC **D3/222; D22/199**

(58) **Field of Classification Search**
USPC D22/100, 101, 103, 104, 105, 108, 109,
D22/110, 199; D21/567, 570, 573, 574,
D21/575; D3/222
CPC F41C 3/00; F41C 7/00
See application file for complete search history.

(56) **References Cited**

U.S. PATENT DOCUMENTS

| | | | | | |
|-----------|-----|---------|---------|-------|------------|
| 1,707,538 | A * | 4/1929 | Page | | F41A 17/46 |
| | | | | | 42/16 |
| D237,678 | S * | 11/1975 | Spencer | | D22/108 |
| 5,915,934 | A * | 6/1999 | Knight | | F41A 3/18 |
| | | | | | 42/51 |
| D425,540 | S * | 5/2000 | Hubbell | | 396/426 |
| D652,468 | S * | 1/2012 | Burt | | D22/108 |
| D710,426 | S * | 8/2014 | Sato | | D16/243 |
| D712,002 | S * | 8/2014 | Bolton | | D22/108 |
| D723,796 | S * | 3/2015 | Resca | | D3/222 |
| D854,643 | S * | 7/2019 | Schafer | | D22/108 |
| D868,196 | S * | 11/2019 | Schafer | | D22/108 |

(Continued)

OTHER PUBLICATIONS

“The Best Holster—G Code Phenom Speed” [online], Eddy. [Published Jan. 14, 2019], Retrieved from the Internet: <<https://www.youtube.com/watch?v=jLXeXYdWOzl>>.*

(Continued)

Primary Examiner — Mojtaba Tehrani

(74) *Attorney, Agent, or Firm* — Intellectual Property Consulting, LLC; Ian C. Barras

(57) **CLAIM**

The ornamental design for a leverage arm for a holster or ammunition holder, as shown and described.

DESCRIPTION

FIG. 1 is a front, plan view of a leverage arm for a holster or ammunition holder.

FIG. 2 is a first side view of a leverage arm for a holster or ammunition holder.

FIG. 3 is a second side view of a leverage arm for a holster or ammunition holder.

FIG. 4 is a bottom view of a leverage arm for a holster or ammunition holder.

FIG. 5 is a top view of a leverage arm for a holster or ammunition holder.

FIG. 6 is a front, perspective view of a leverage arm for a holster or ammunition holder.

FIG. 7 is an alternative front, perspective view of a leverage arm for a holster or ammunition holder.

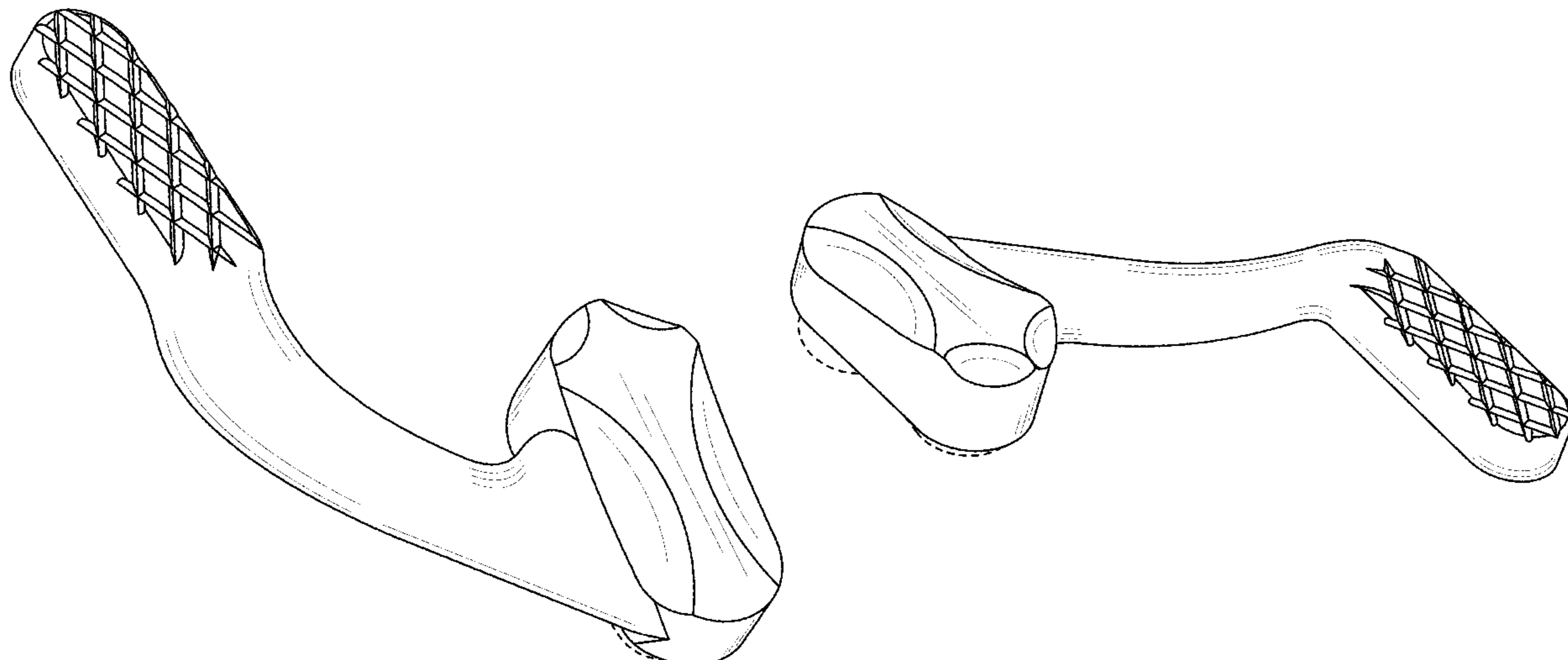
FIG. 8 is a rotated, front, perspective view of a leverage arm for a holster or ammunition holder.

FIG. 9 is an alternative rotated, front, perspective view of a leverage arm for a holster or ammunition holder; and,

FIG. 10 is a front, plan view of a leverage arm for a holster or ammunition holder attached to an exemplary (unclaimed) holster.

The broken line in the drawings depicts unclaimed subject matter only and forms no part of the claimed design.

1 Claim, 8 Drawing Sheets



(56)

References Cited

U.S. PATENT DOCUMENTS

10,619,974 B2 * 4/2020 Smith F41C 33/0272
D892,961 S * 8/2020 Sugg D22/108
2016/0231081 A1 * 8/2016 Evans F41C 33/041

OTHER PUBLICATIONS

“DLP Tactical IPSC Quick Draw Universal Competition Holster
[. . .]” [online], DLP Tactical. [Product first available on Mar. 21,
2016], Retrieved from the Internet: <[https://www.amazon.com/dp/
B01D90S964](https://www.amazon.com/dp/B01D90S964)>.*

* cited by examiner

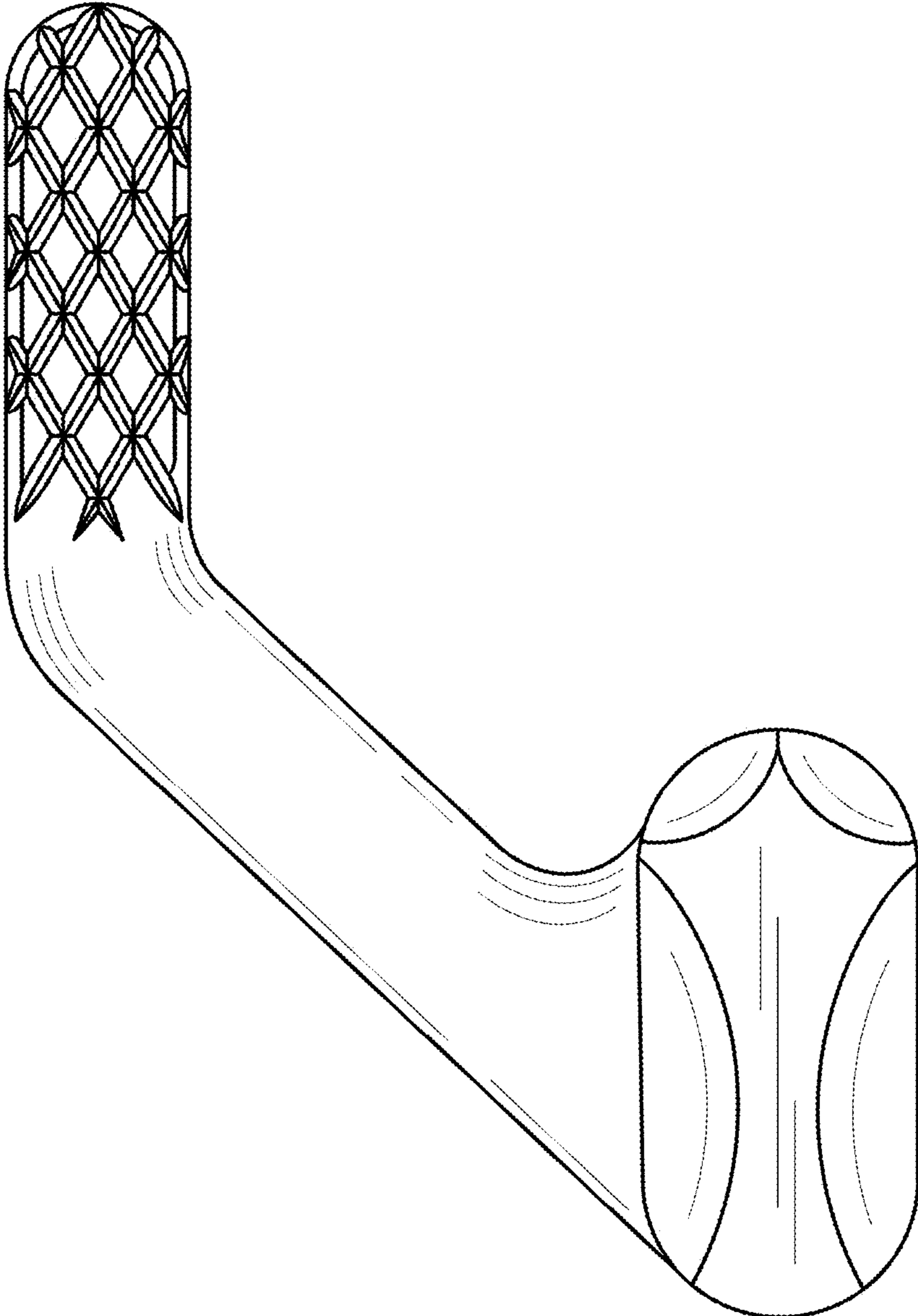


FIG. 1

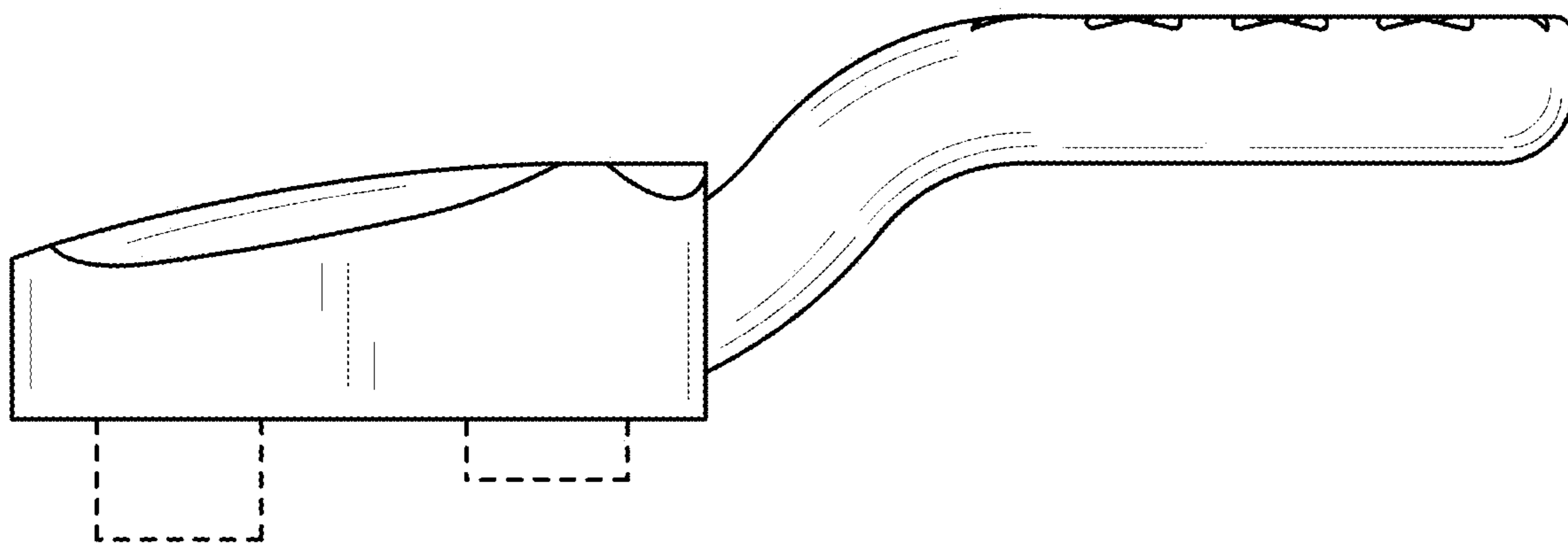


FIG. 2

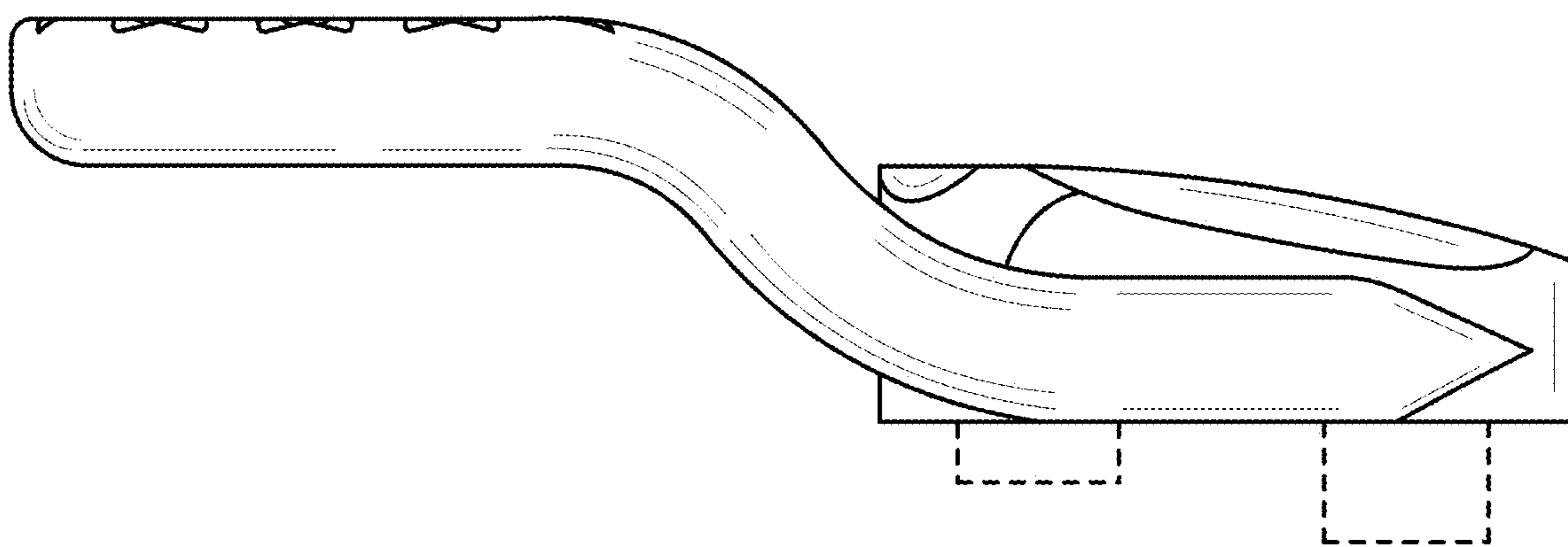


FIG. 3

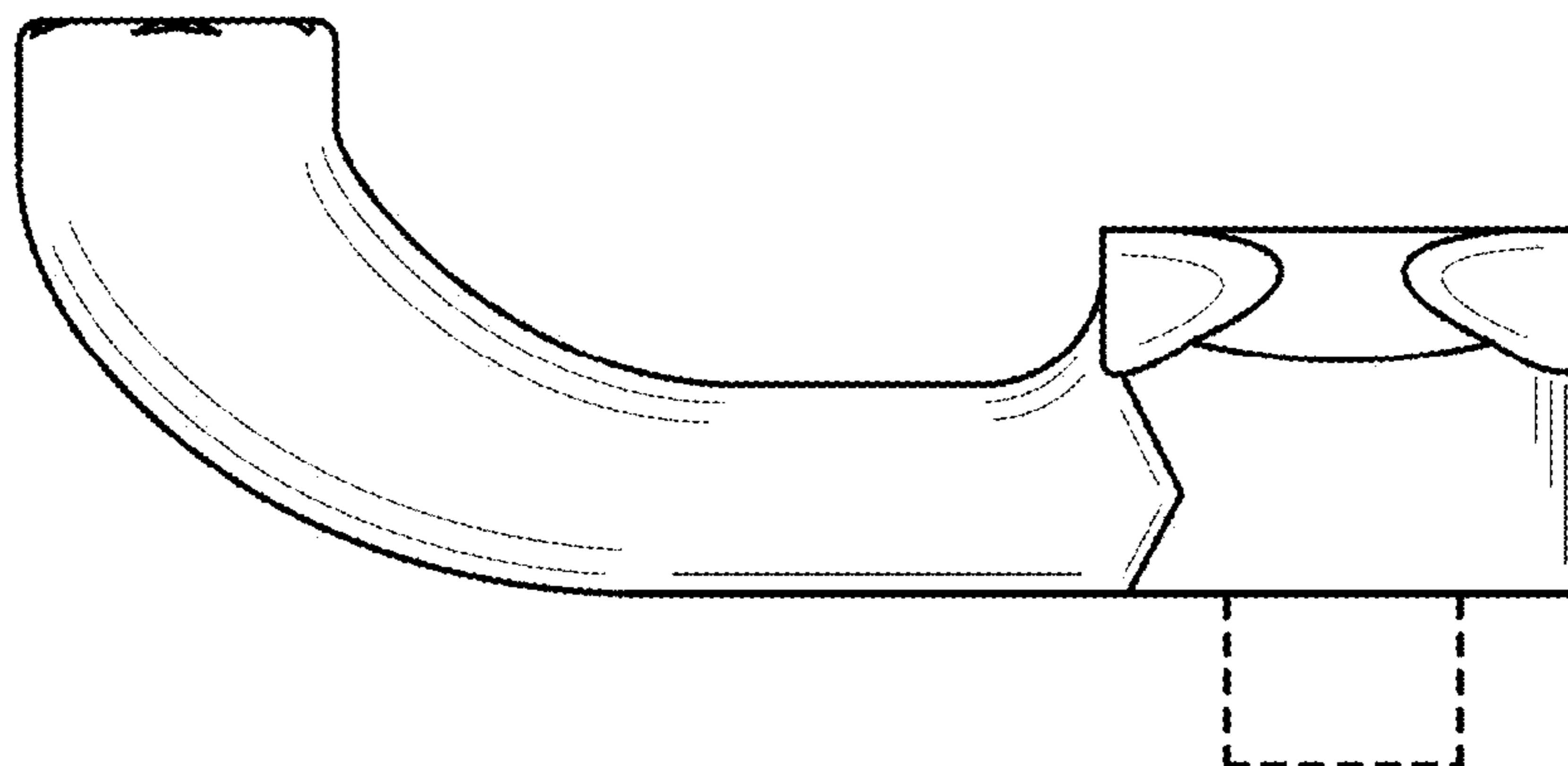


FIG. 4

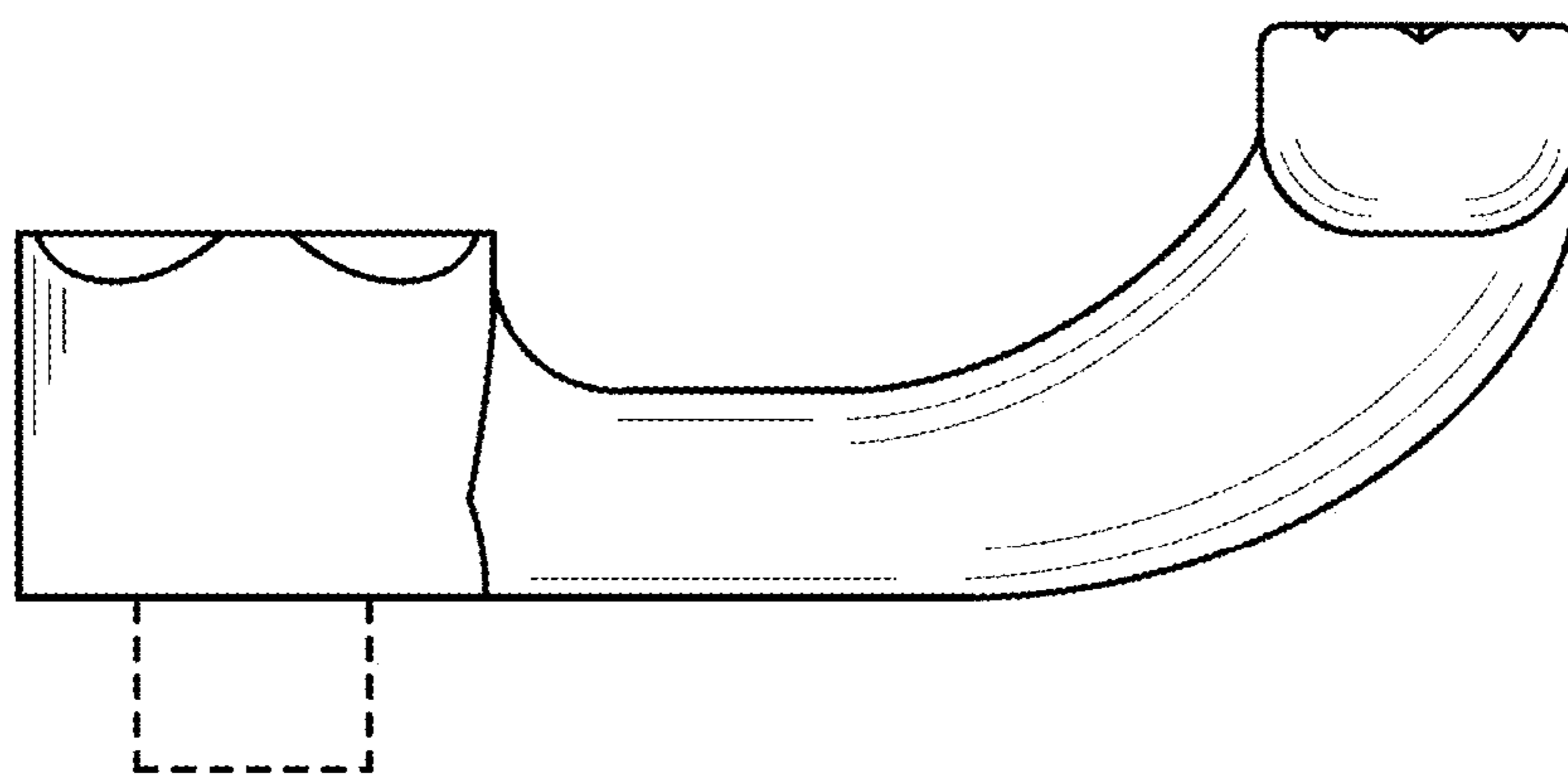


FIG. 5

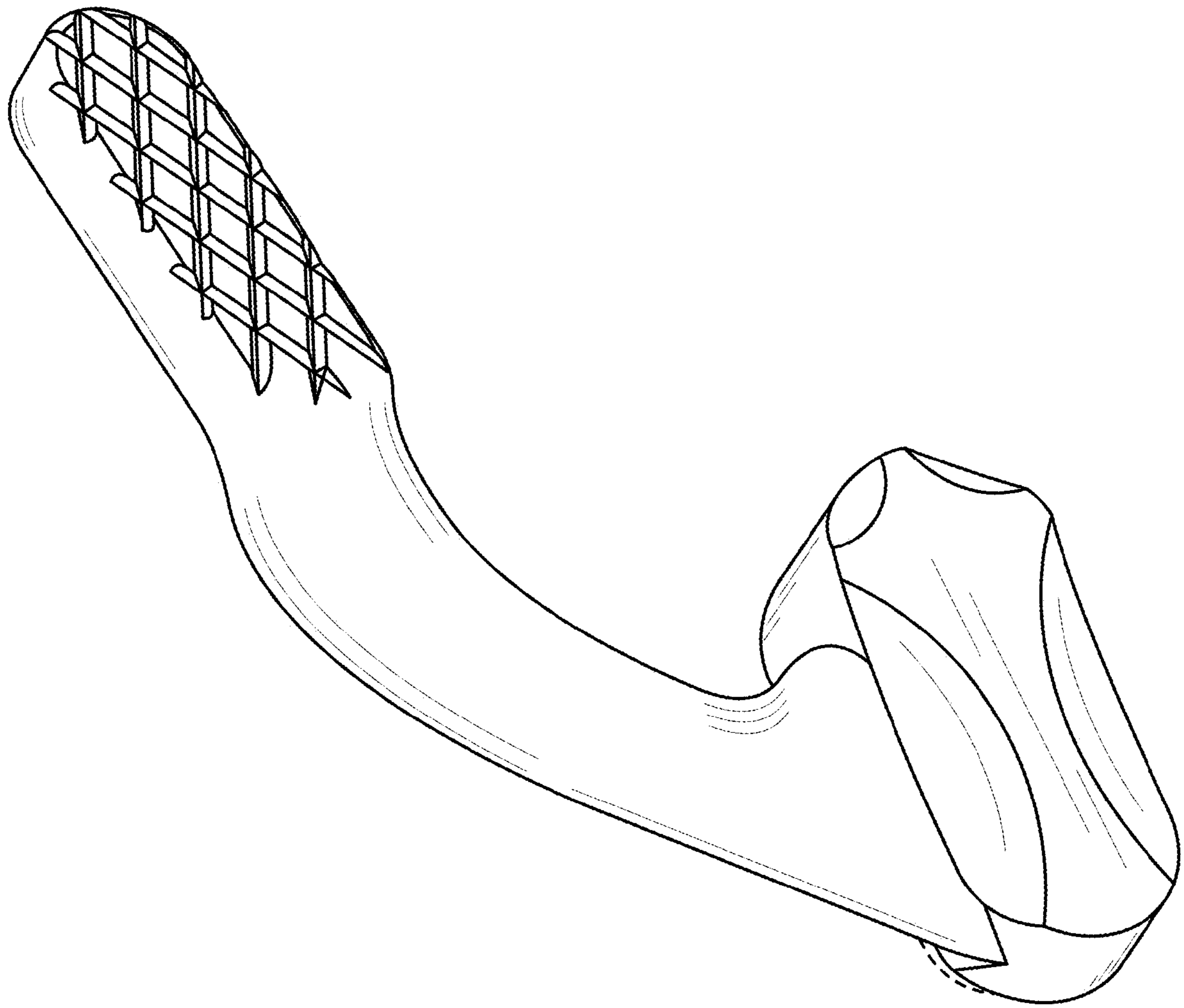


FIG. 6

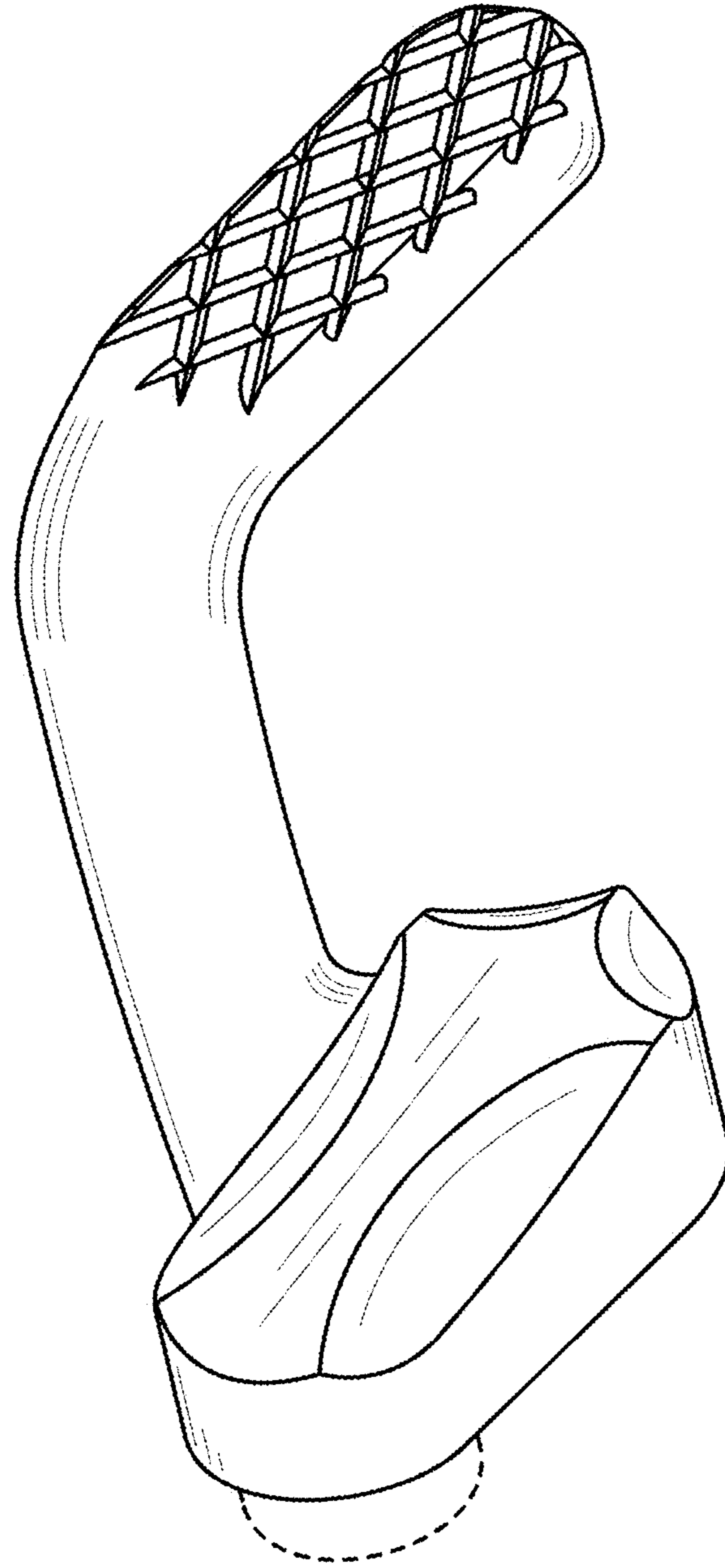


FIG. 7

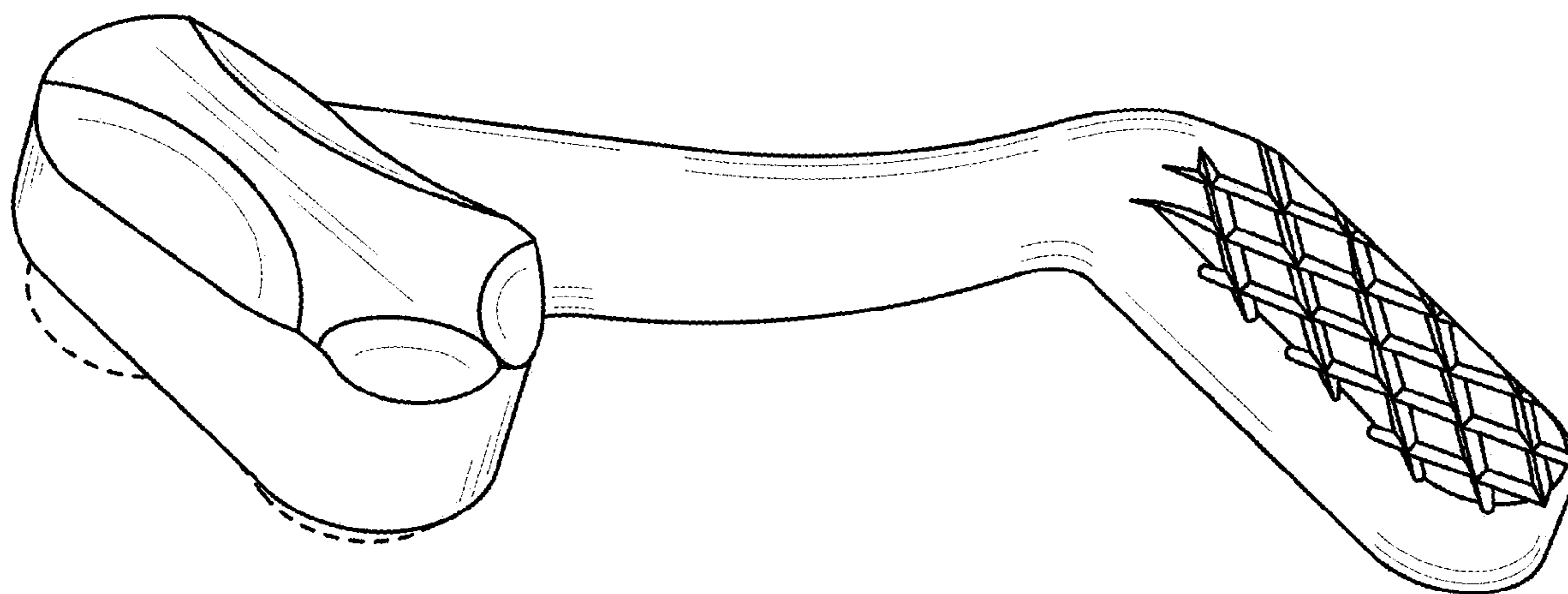


FIG. 8

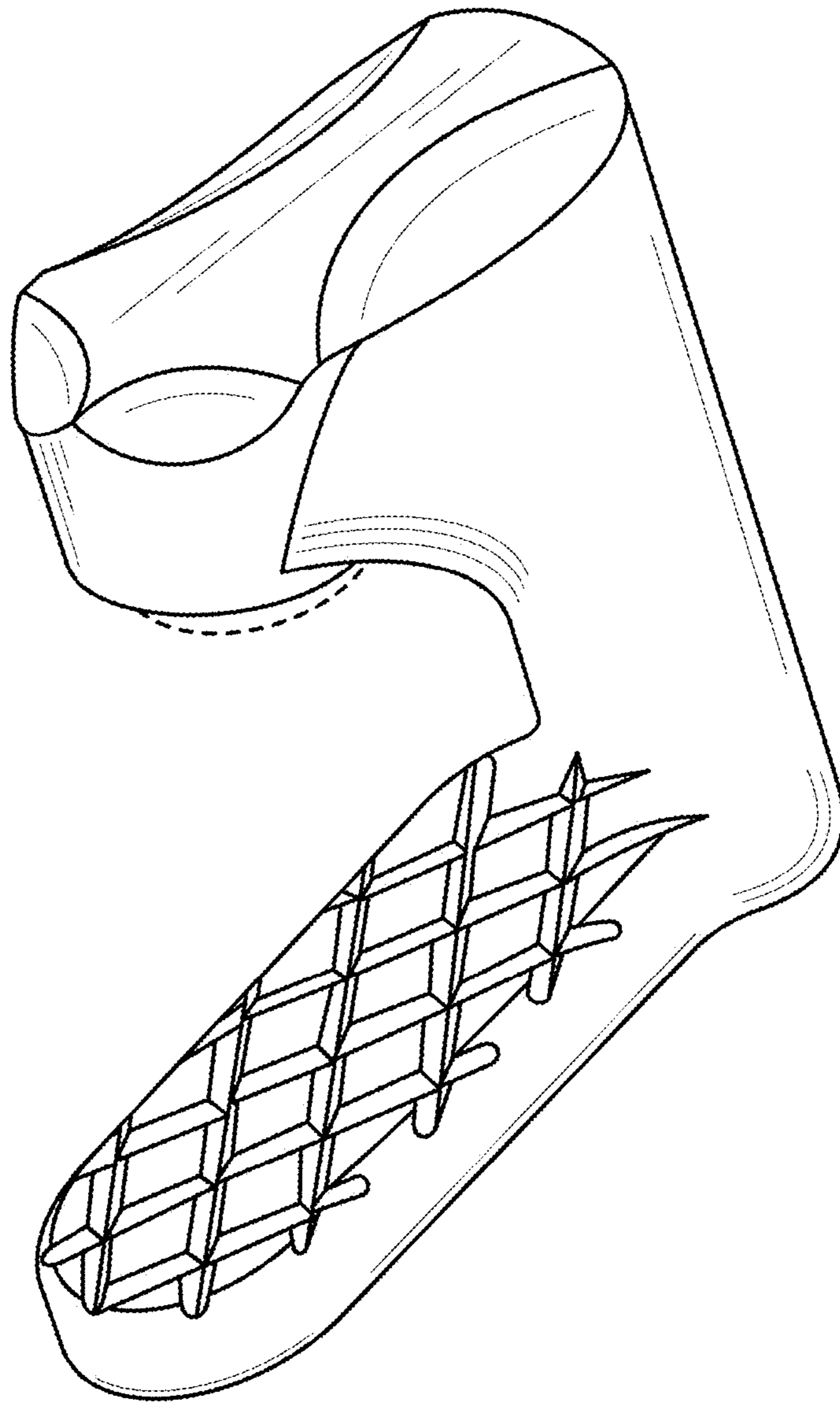


FIG. 9

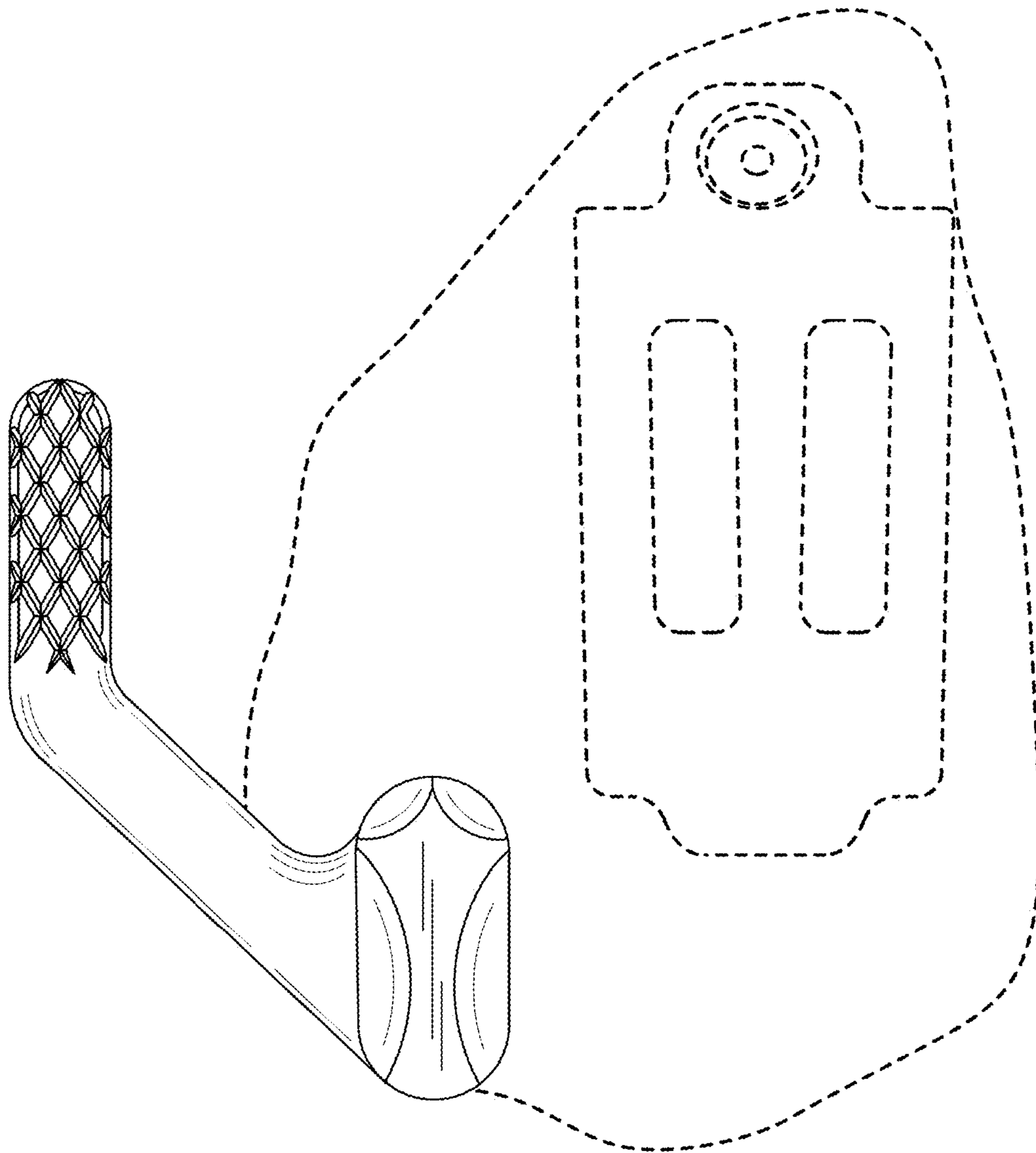


FIG. 10