



US00D919962S

(12) **United States Design Patent** (10) **Patent No.:** **US D919,962 S**
Shi (45) **Date of Patent:** **** May 25, 2021**

(54) **MOTORCYCLE HELMET BACKPACK**

(71) Applicant: **Xinliang Shi**, Anyang (CN)

(72) Inventor: **Xinliang Shi**, Anyang (CN)

(**) Term: **15 Years**

(21) Appl. No.: **29/758,882**

(22) Filed: **Nov. 19, 2020**

(51) **LOC (13) Cl.** **03-01**

(52) **U.S. Cl.**
USPC **D3/217**

(58) **Field of Classification Search**
USPC D3/216, 217, 260, 214; D30/109
CPC A45F 3/04; A45F 2003/003; A45F 4/02;
A45F 5/021; Y10S 224/92; Y10S 16/40;
Y10S 224/922; Y10S 383/907; A01K
97/06; A45C 11/20; A45C 5/06; A45C
11/02; A45C 13/02; A45C 13/08; A45C
3/00; A45C 7/0063

See application file for complete search history.

(56) **References Cited**

U.S. PATENT DOCUMENTS

D650,170 S 12/2011 Ziaylek
D710,085 S * 8/2014 Szewczyk D3/217

D710,086 S * 8/2014 Szewczyk D3/217
D848,219 S * 5/2019 Munie D7/607
D866,166 S * 11/2019 Ho D3/217
D882,943 S * 5/2020 Zhuang D3/217
D912,976 S * 3/2021 Breines D3/217
2003/0183669 A1 * 10/2003 Cameron A45C 13/02
224/585
2014/0151424 A1 * 6/2014 Hexels A45F 3/06
224/637
2018/0303213 A1 * 10/2018 Pusey A45C 13/02

* cited by examiner

Primary Examiner — Jennifer L Watkins

(74) *Attorney, Agent, or Firm* — Justin Lampel

(57) **CLAIM**

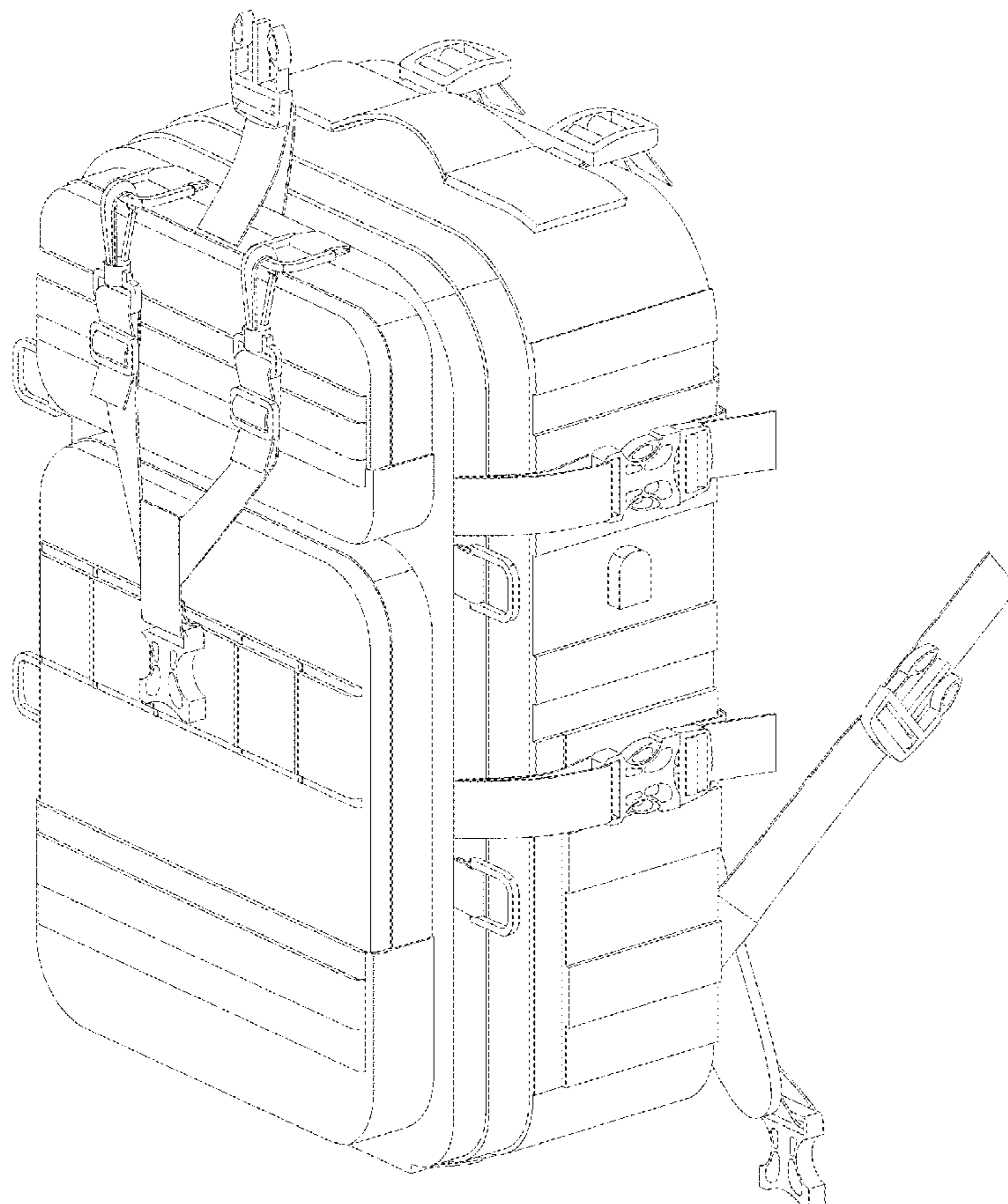
The ornamental design for a motorcycle helmet backpack, as shown and described.

DESCRIPTION

FIG. 1 is a perspective view of a motorcycle helmet backpack showing the claimed design; FIG. 2 is a top plan view thereof; FIG. 3 is a left side elevational view thereof; FIG. 4 is a front elevational view thereof; FIG. 5 is a right side view thereof; FIG. 6 is a rear elevational view thereof; and, FIG. 7 is a left side view thereof.

The broken lines illustrate portions of the motorcycle helmet backpack that form no part of the claimed design.

1 Claim, 7 Drawing Sheets



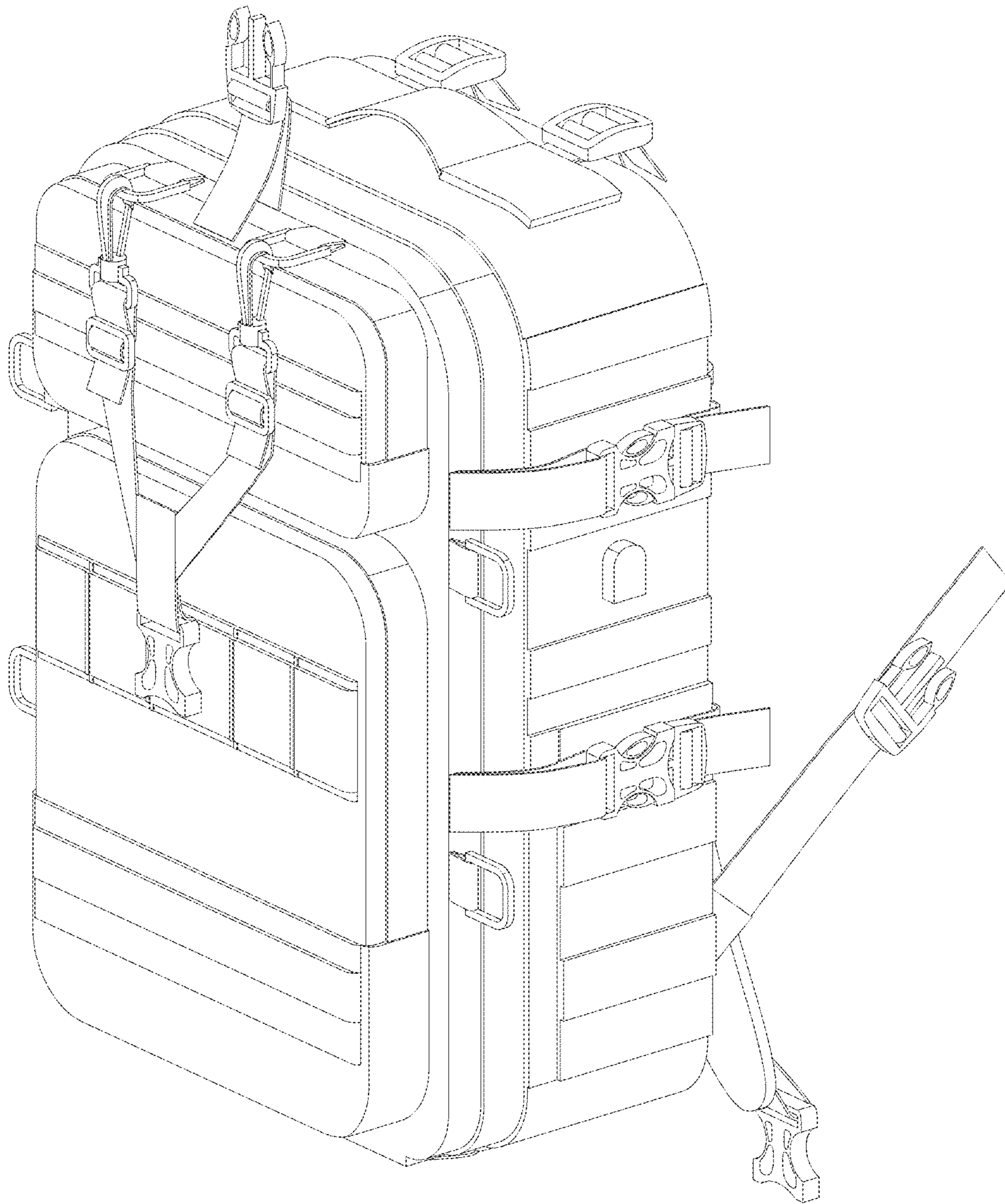


FIG.1

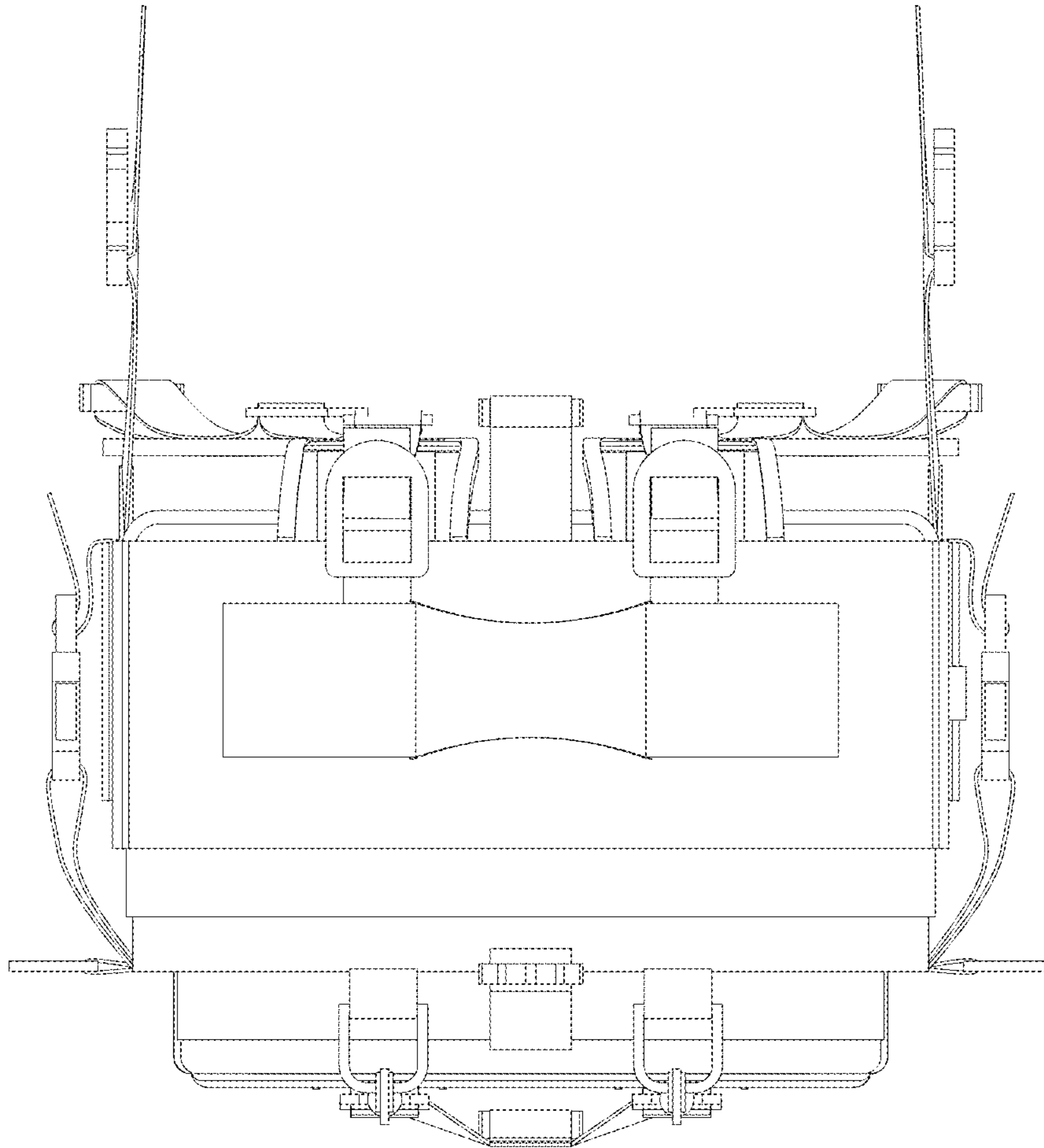


FIG.2

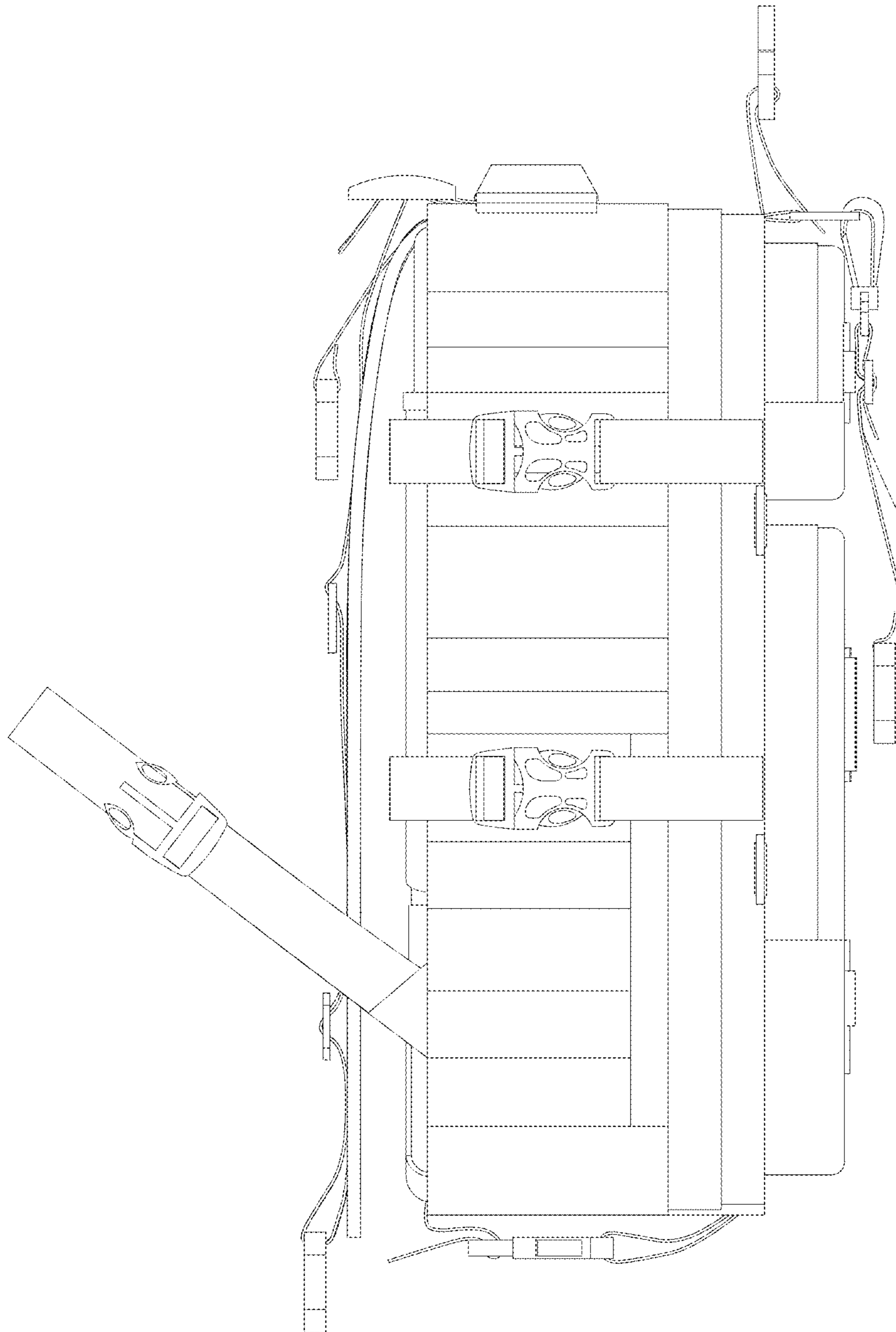


FIG.3

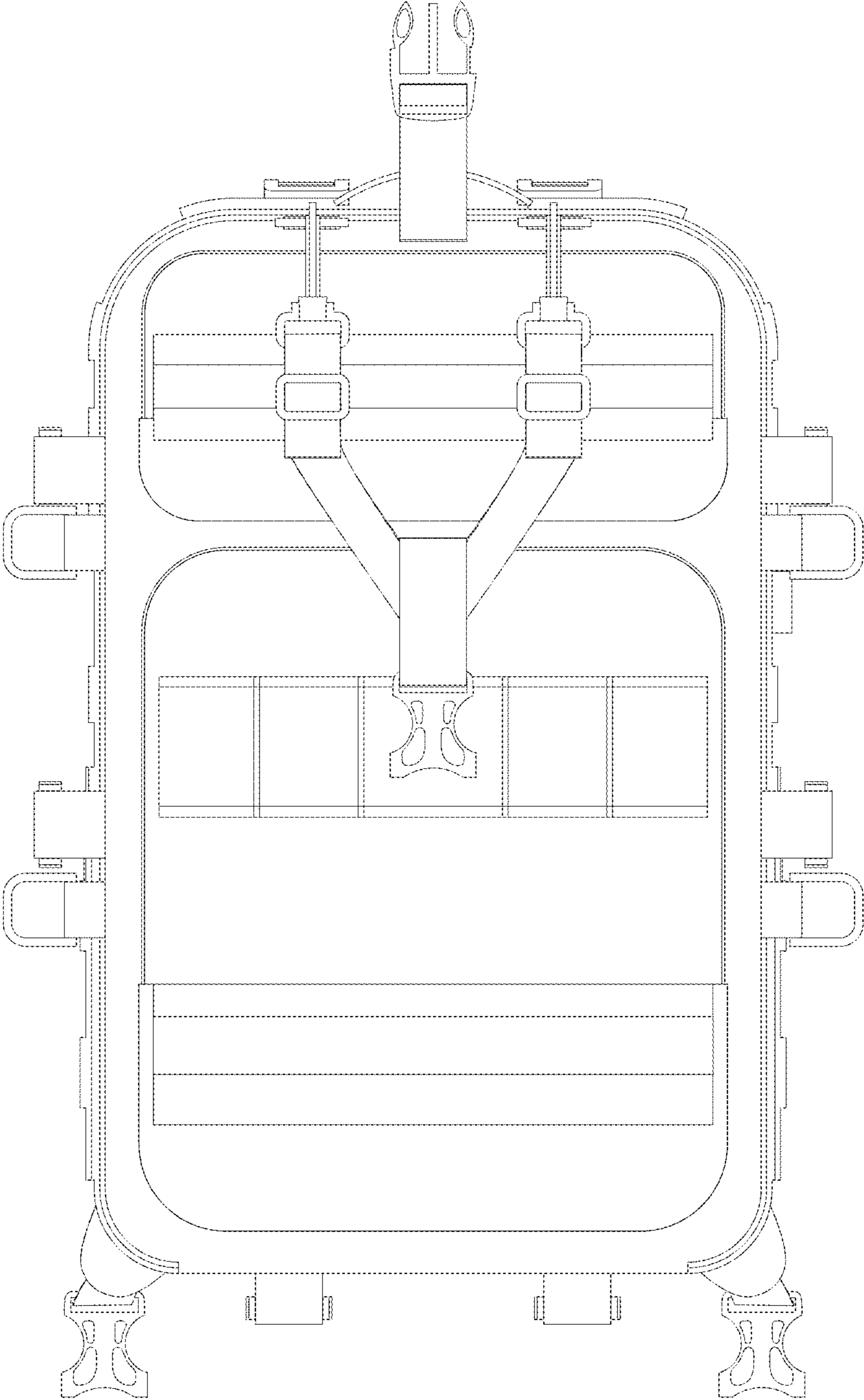


FIG.4

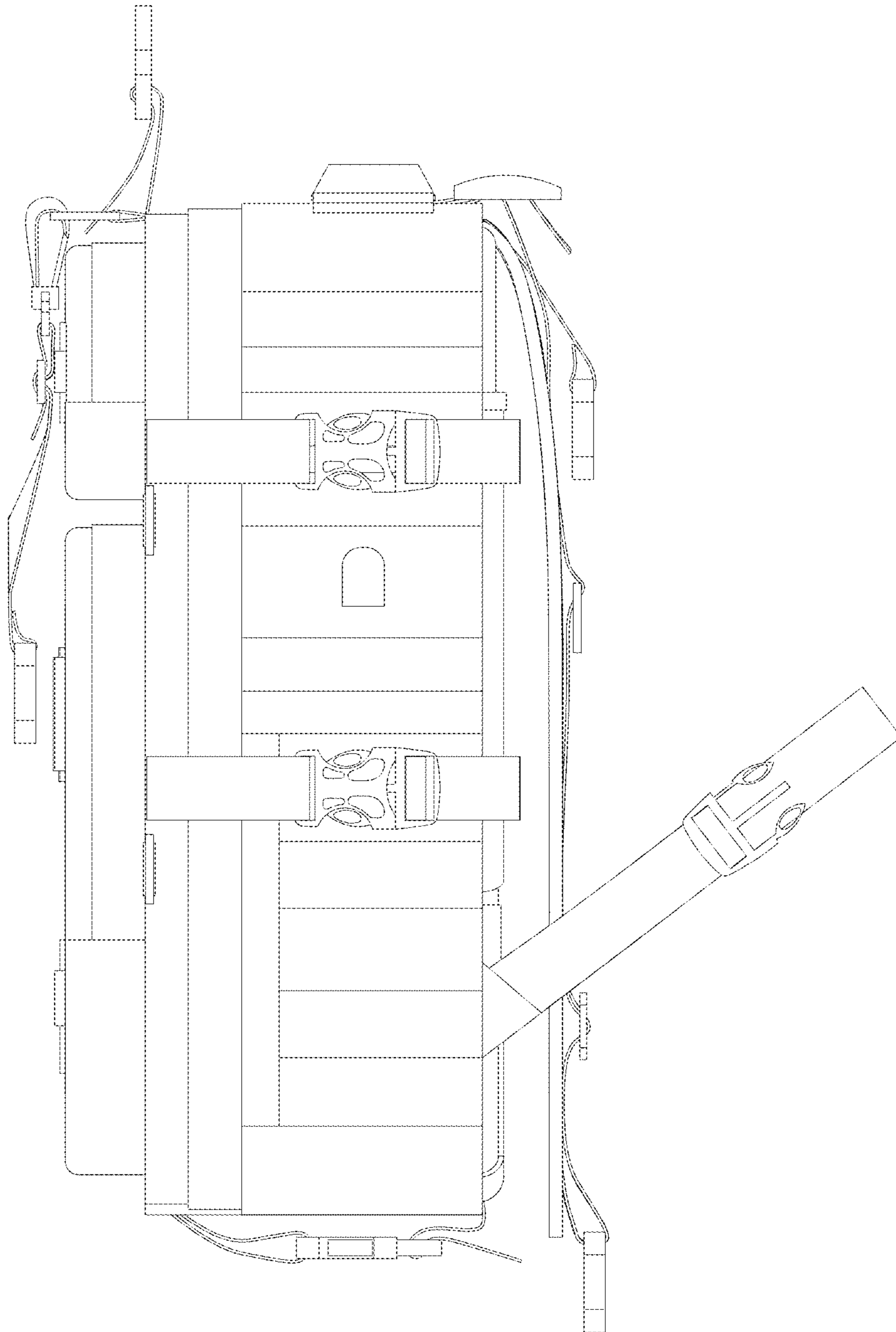


FIG.5

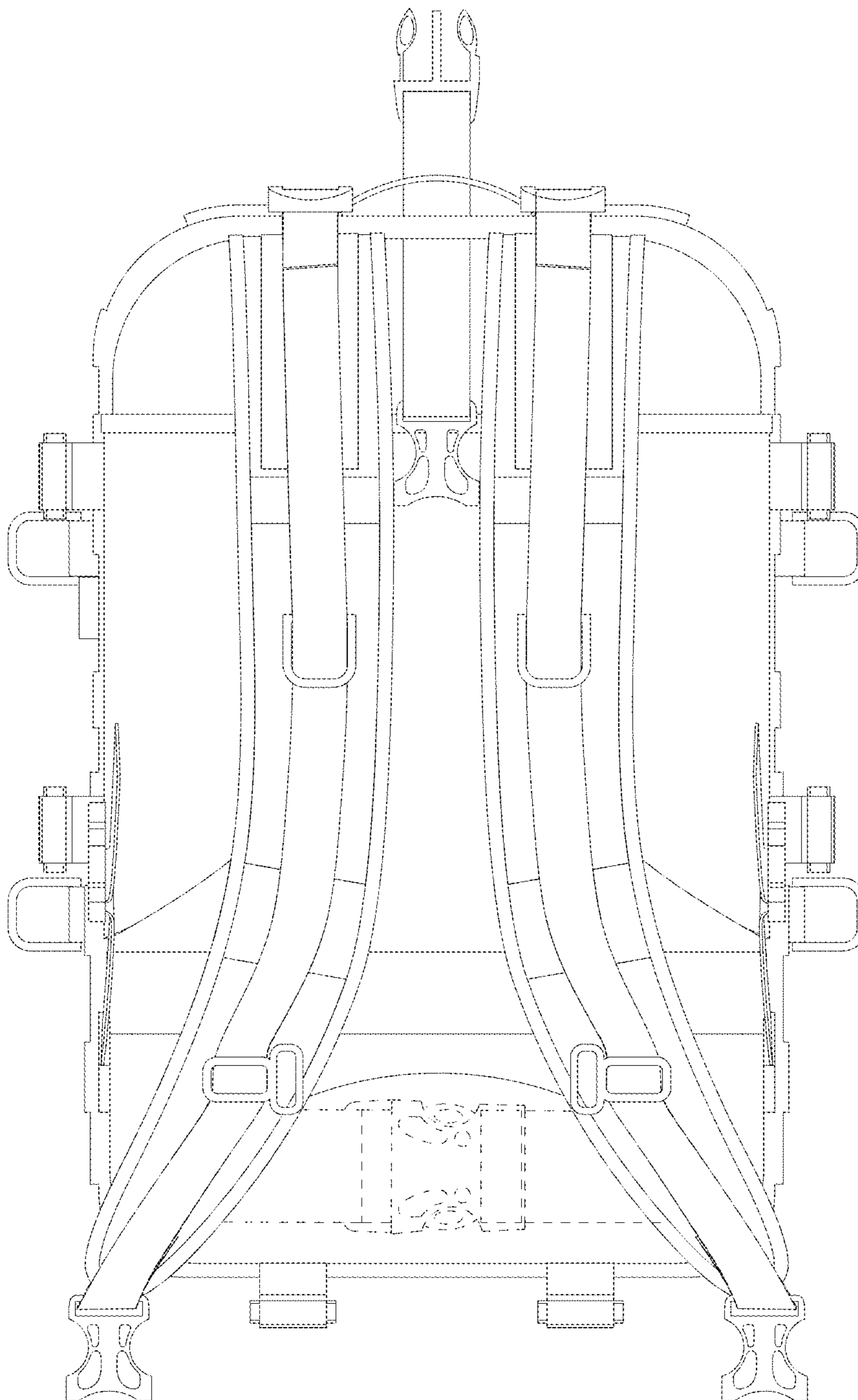


FIG.6

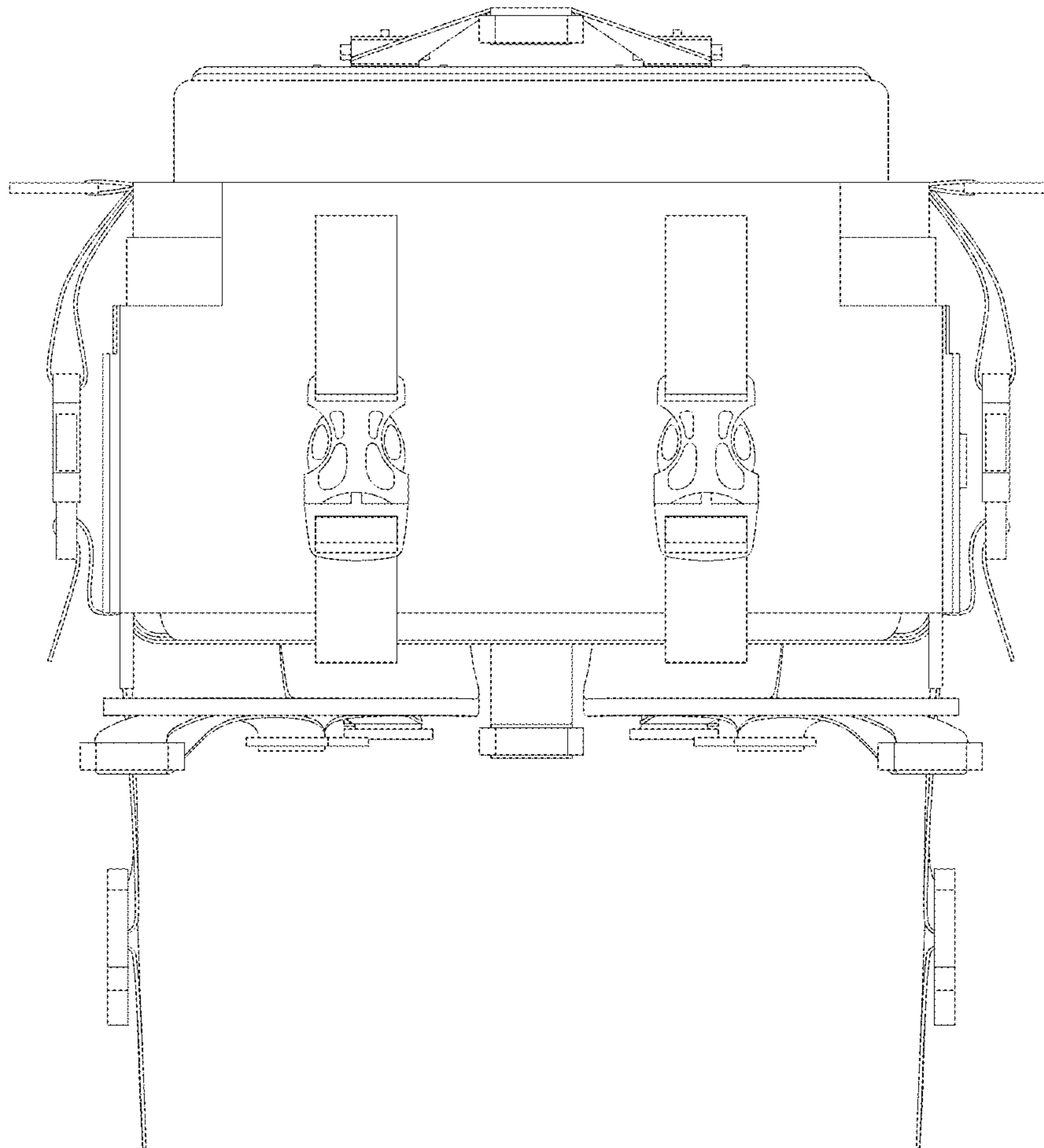


FIG.7