



(12) **United States Design Patent**
Sprintz

(10) **Patent No.:** **US D919,961 S**
(45) **Date of Patent:** **** May 25, 2021**

(54) **BACKPACK**

(71) Applicant: **Alexandra Sprintz**, Tucson, AZ (US)

(72) Inventor: **Alexandra Sprintz**, Tucson, AZ (US)

(**) Term: **15 Years**

(21) Appl. No.: **29/684,159**

(22) Filed: **Mar. 19, 2019**

(51) **LOC (13) Cl.** **03-01**

(52) **U.S. Cl.**
USPC **D3/217**

(58) **Field of Classification Search**

USPC D3/216–217, 267, 268
CPC A45F 3/04; A45F 4/02; A45F 3/02; A45F 3/08; A45F 3/047; A45C 9/00; A45C 5/14; A45C 13/02; A45C 3/00; A45C 13/08; A41D 15/04

See application file for complete search history.

(56) **References Cited**

U.S. PATENT DOCUMENTS

D260,698 S *	9/1981	Fitzgerald	224/153
D425,697 S *	5/2000	Chapman	D3/216
D438,700 S *	3/2001	Willingham	A45F 3/04
			D3/216
D745,265 S *	12/2015	Jabbour, Jr.	D3/216
D803,550 S *	11/2017	Shaholli	D3/216
D803,551 S *	11/2017	Shaholli	D3/216
D804,167 S *	12/2017	Shaholli	D3/216
D847,494 S *	5/2019	Tang	D3/217

10,674,801 B2 *	6/2020	Noguera Ramis	A63H 3/28
2005/0279794 A1 *	12/2005	Gerchen	A45F 3/042
			224/576
2008/0035074 A1 *	2/2008	Diez	A45C 13/30
			119/770
2012/0329358 A1 *	12/2012	Cupid	A63H 3/005
			446/73

* cited by examiner

Primary Examiner — Jennifer L Watkins

(74) *Attorney, Agent, or Firm* — Houda El-Jarrah; Thomas E. LaGrandeur; Bold IP, PLLC

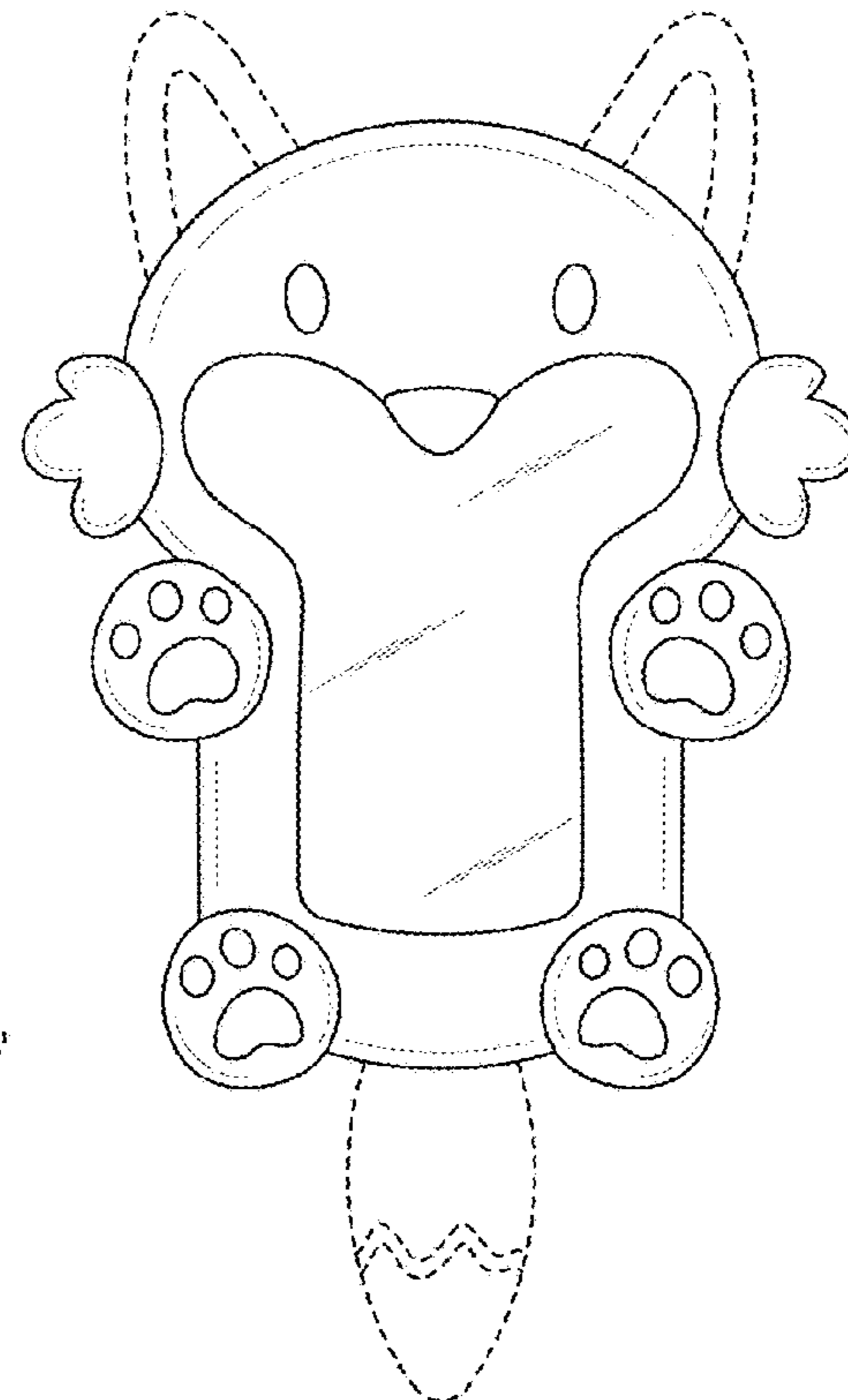
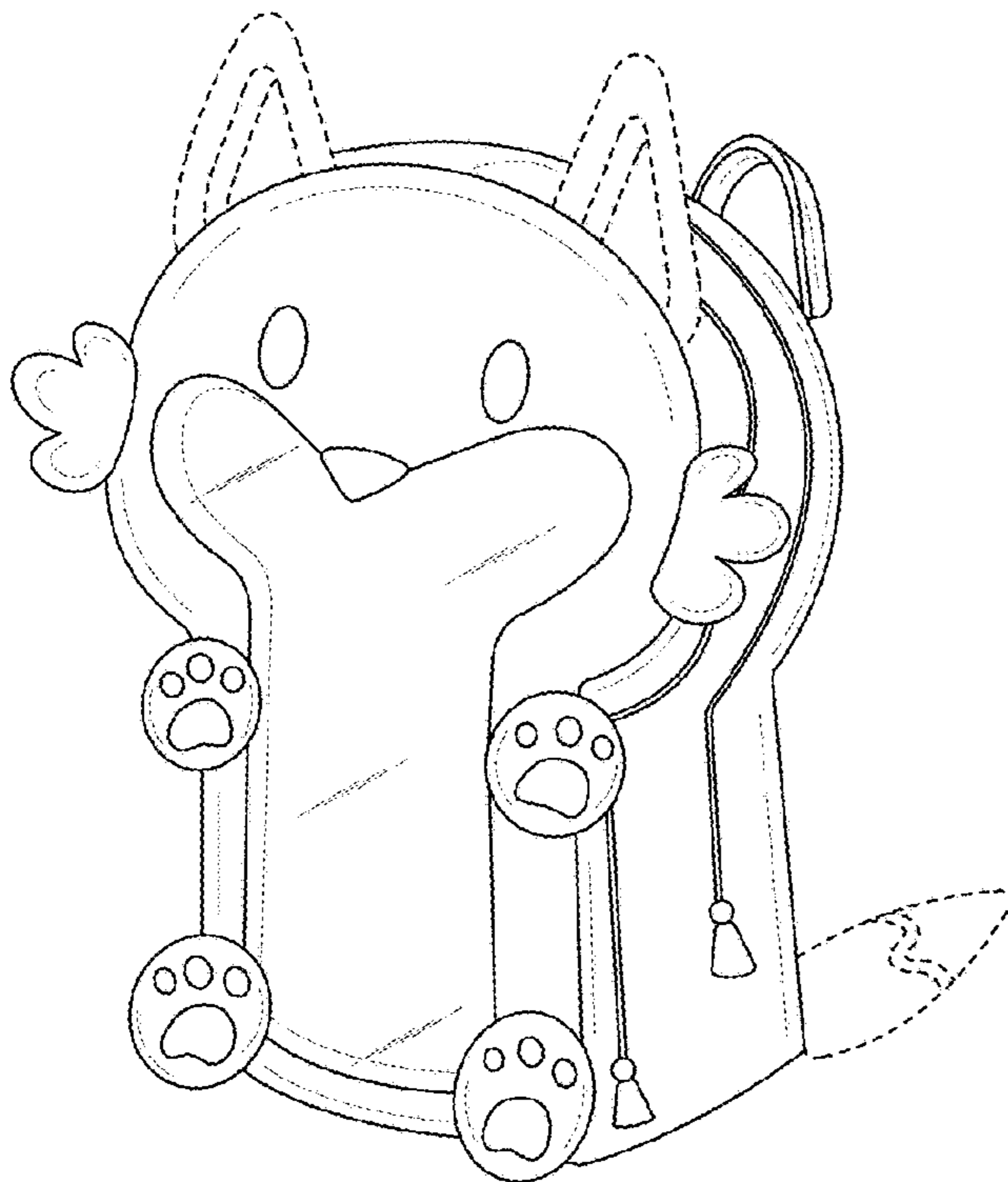
(57) **CLAIM**

The ornamental design for a backpack, as shown and described.

DESCRIPTION

FIG. 1 is a front perspective view of a backpack, showing the backpack with a front windowpane, in accordance with the present invention; FIG. 2 is a front view thereof; FIG. 3 is a rear view thereof; FIG. 4 is a right side view thereof; FIG. 5 is a left side view thereof; FIG. 6 is a top view thereof; and, FIG. 7 is a bottom view thereof. The broken lines are to disclose the environmental elements related to the claimed design, which form no part of the claimed design.

1 Claim, 6 Drawing Sheets



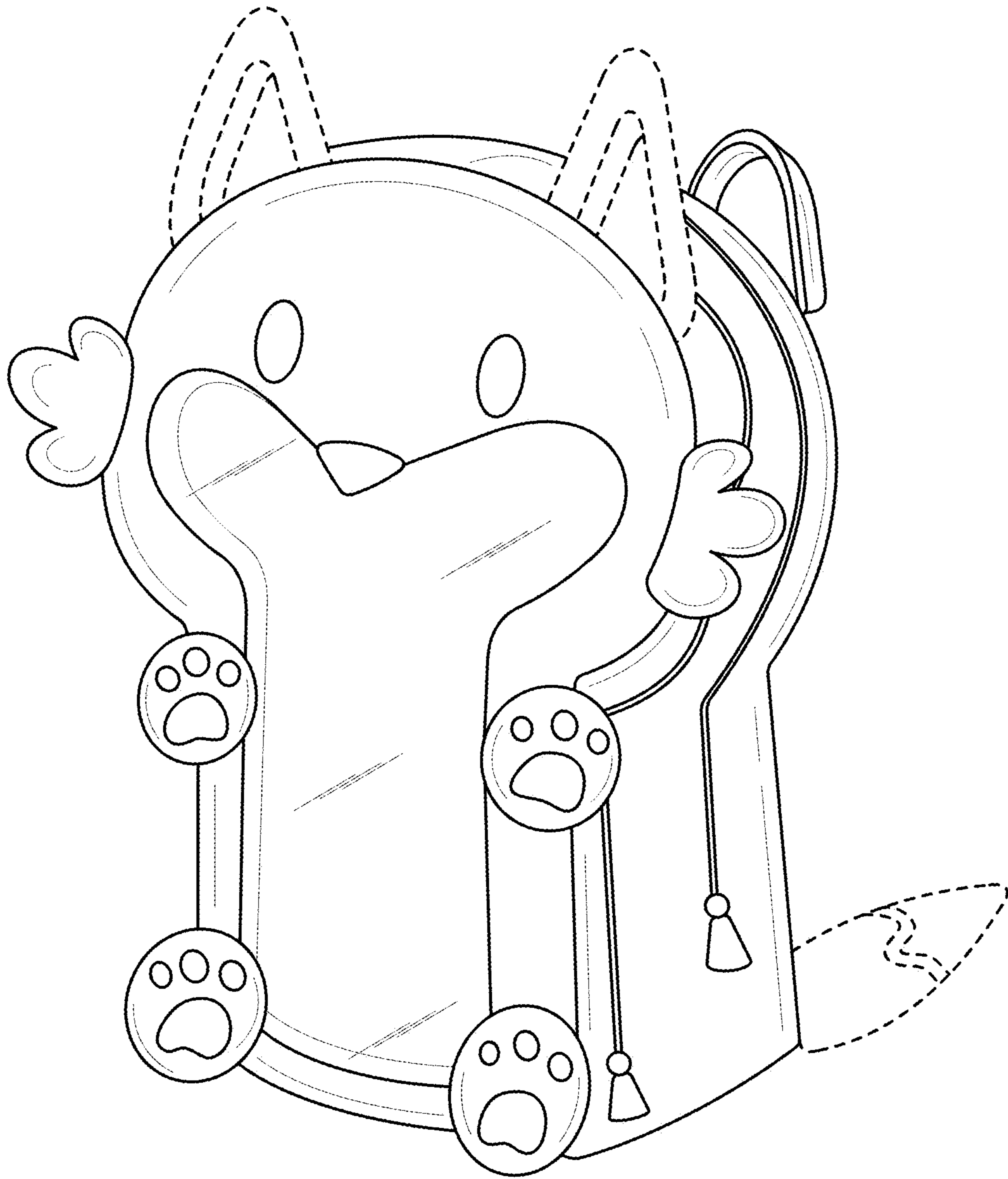


FIG. 1

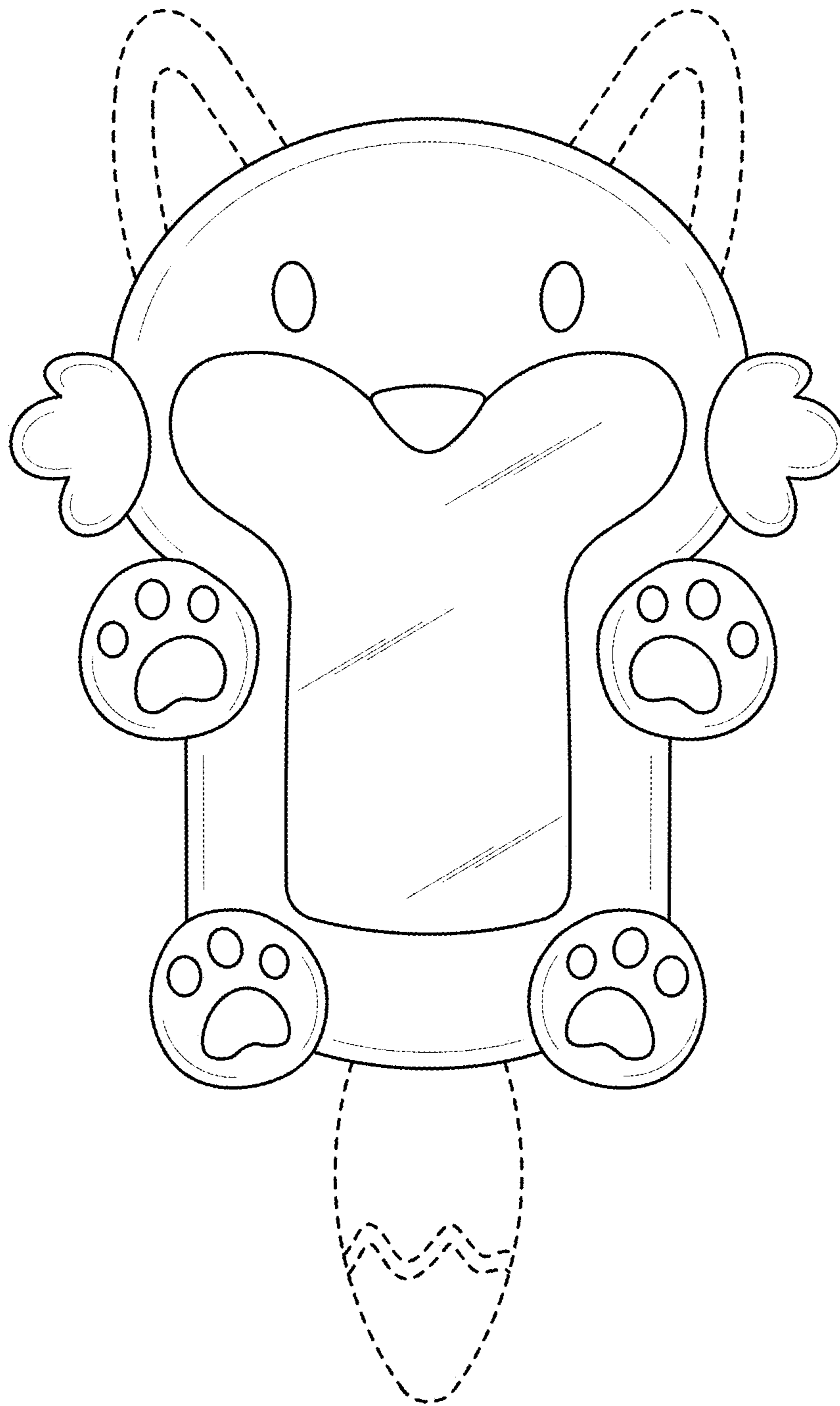


FIG. 2

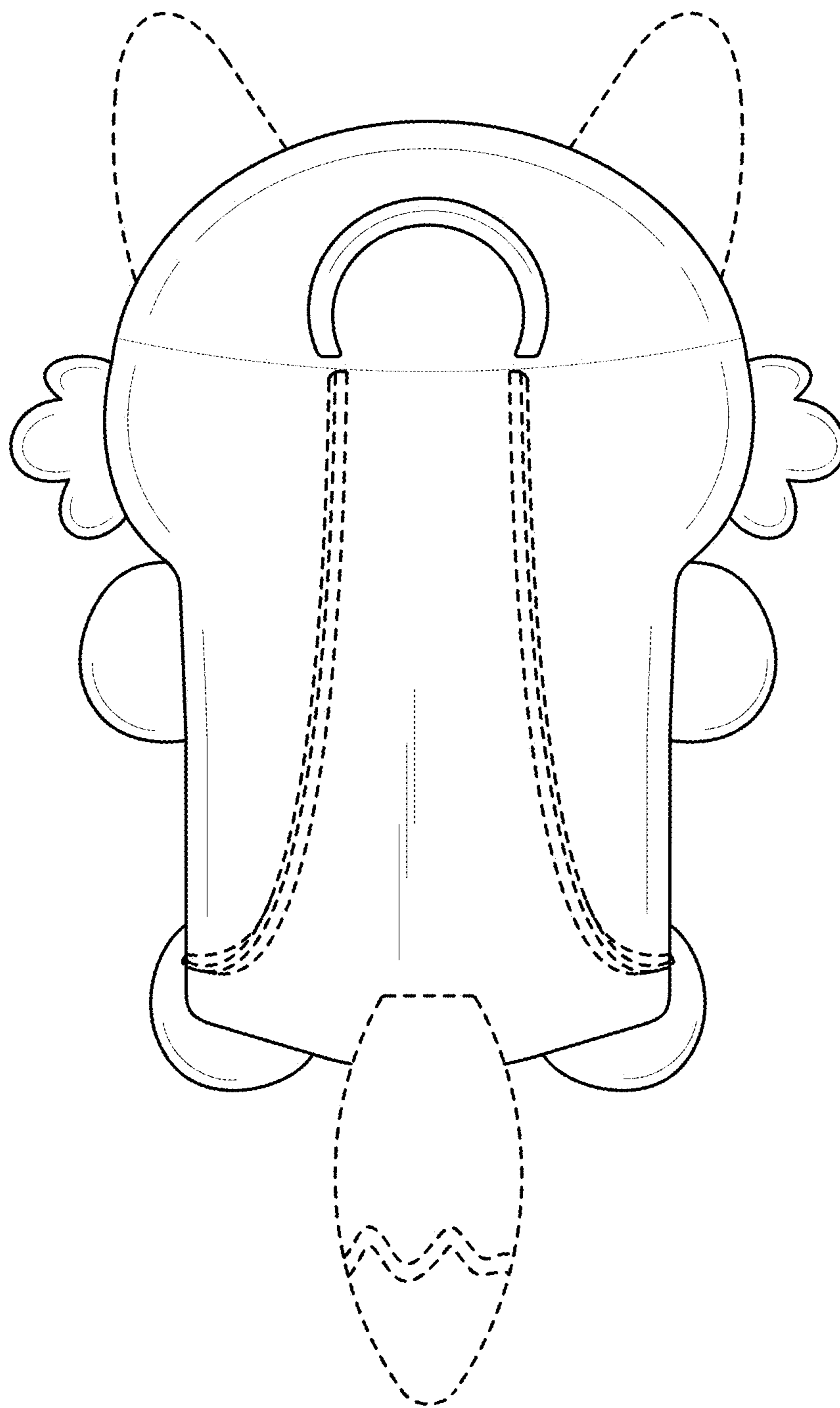


FIG. 3

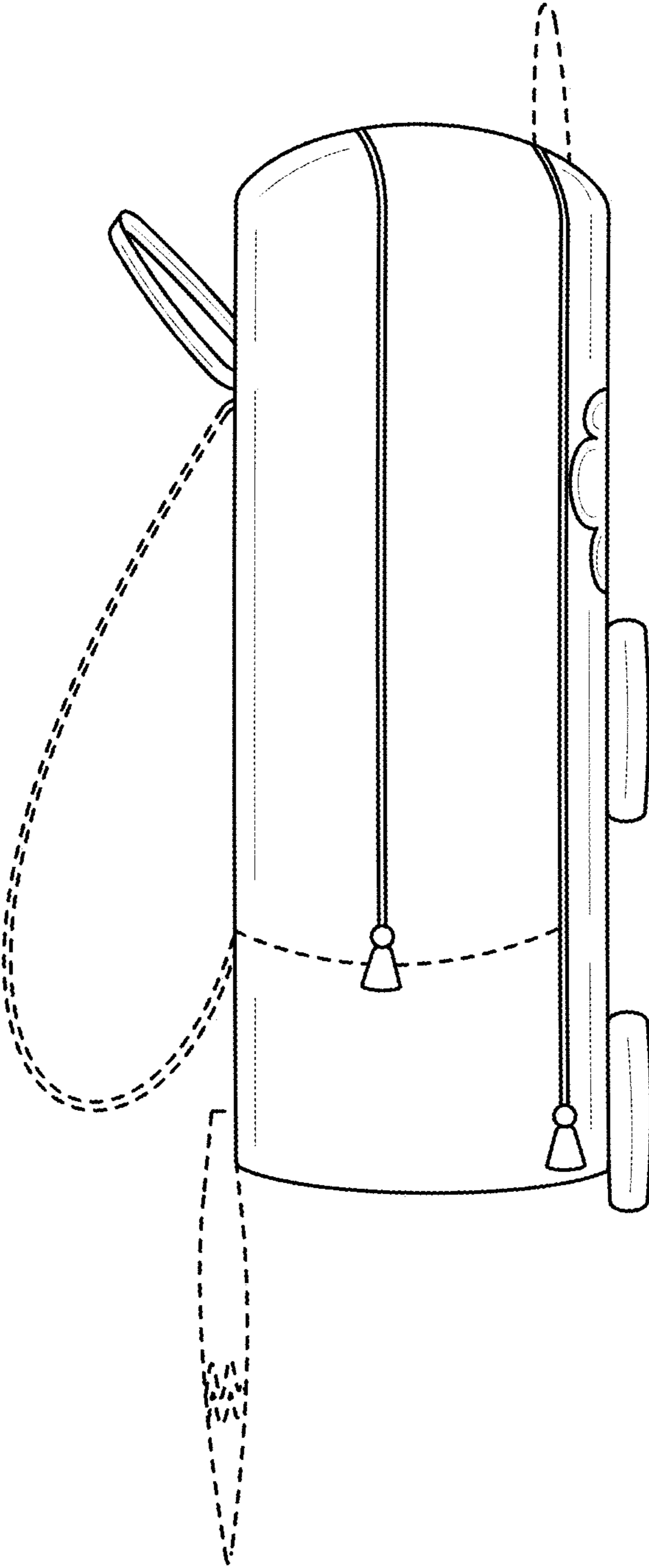


FIG. 4

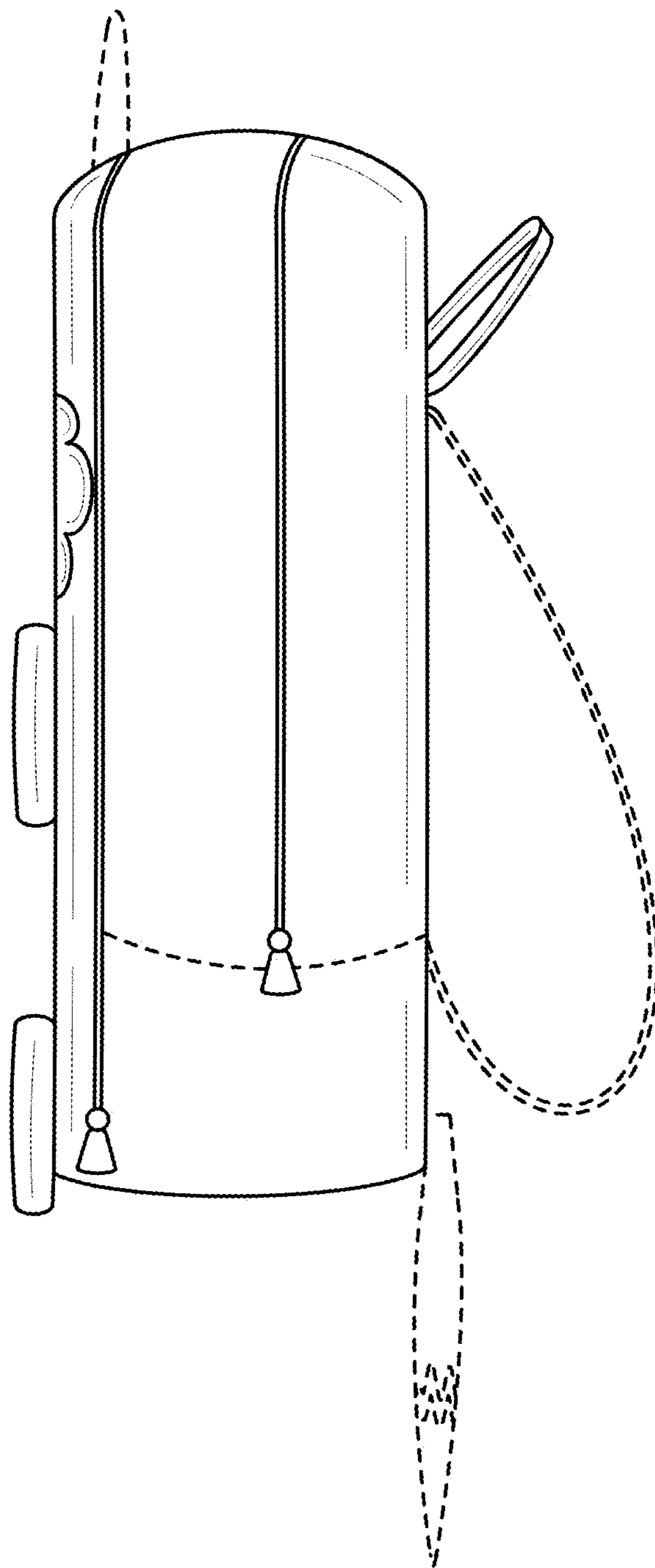


FIG. 5

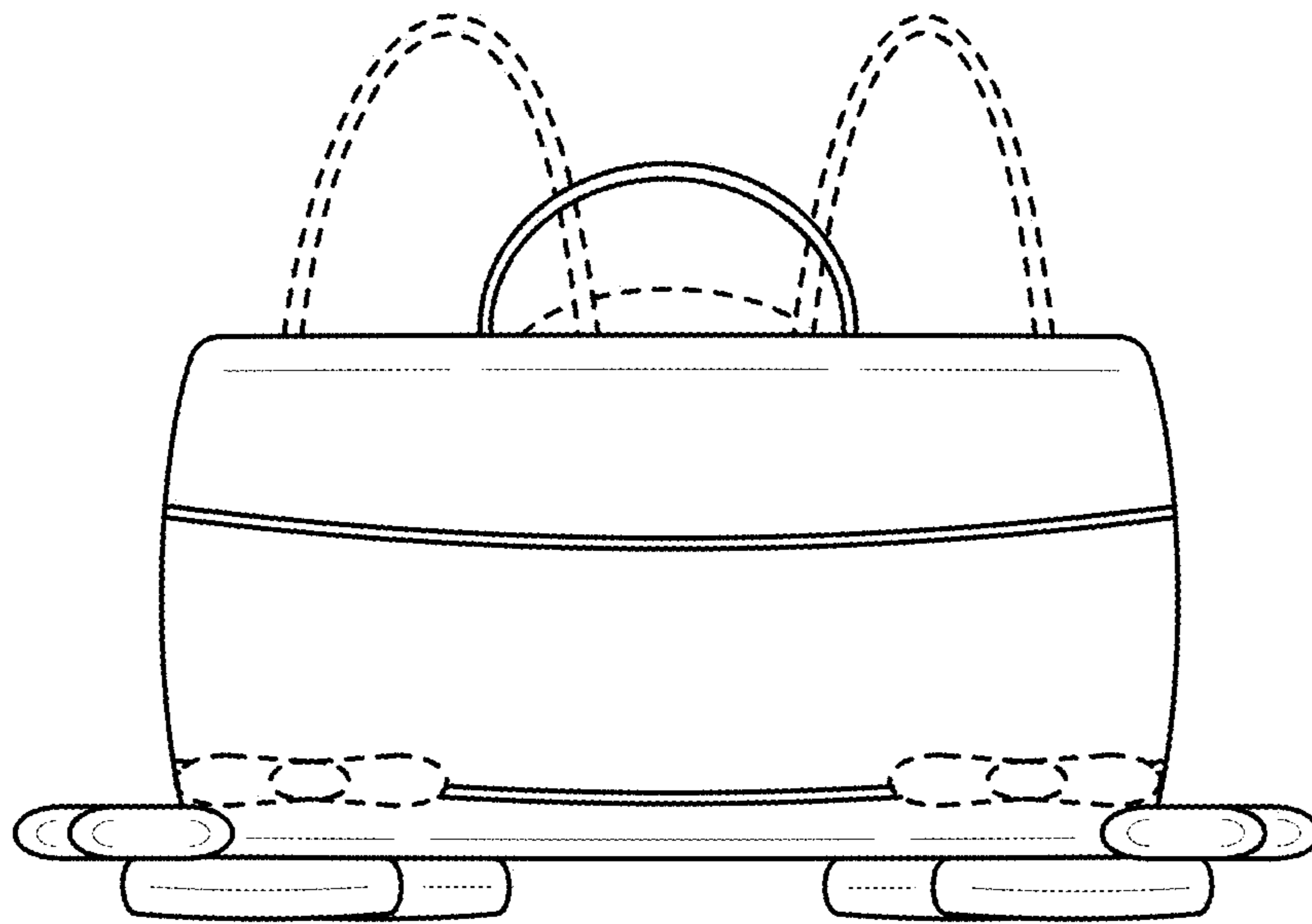


FIG. 6

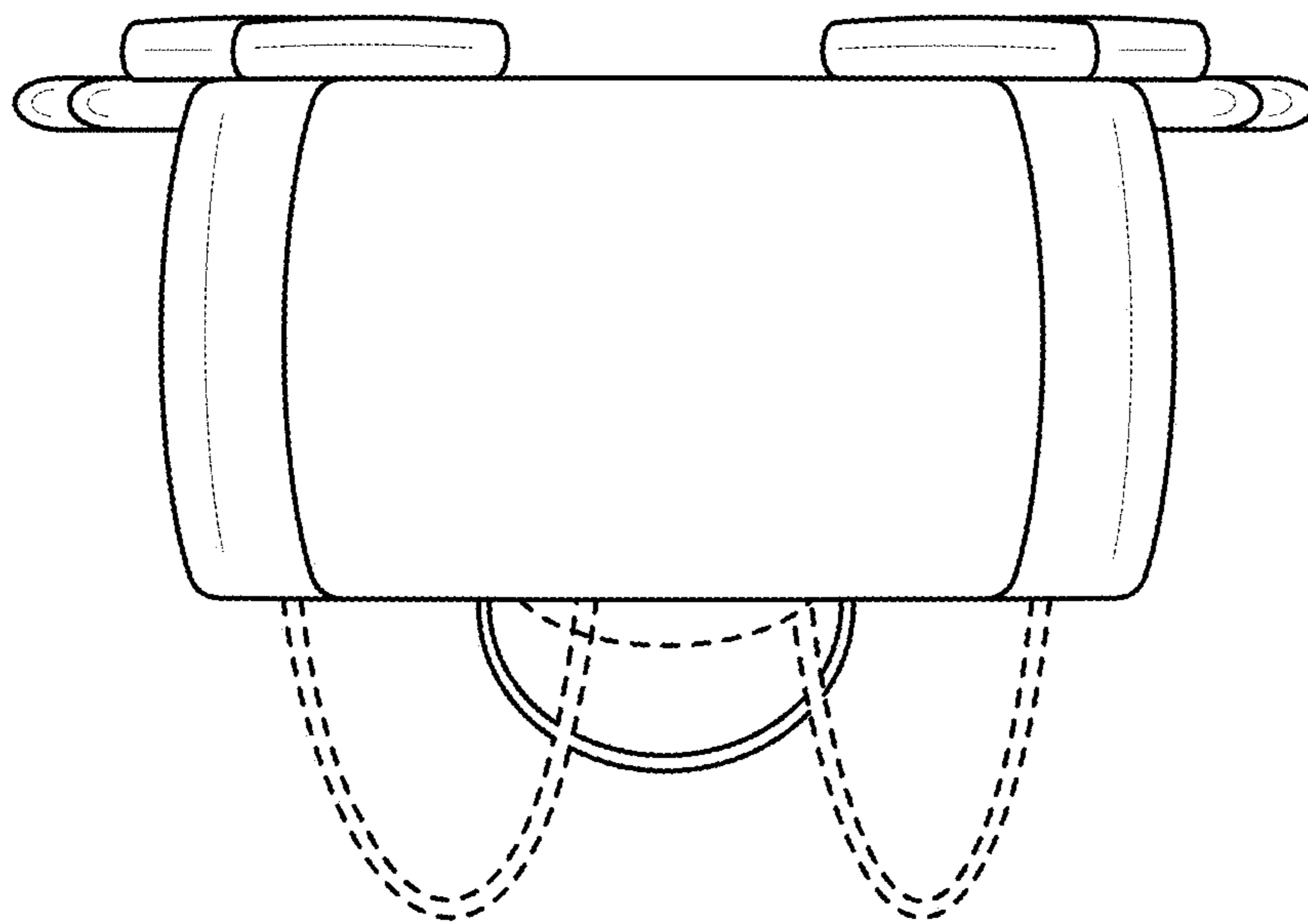


FIG. 7