



US00D919957S

(12) **United States Design Patent** (10) **Patent No.:** **US D919,957 S**
Wu (45) **Date of Patent:** **** May 25, 2021**

(54) **BOTTLE STRAP**
(71) Applicant: **Yaobin Wu**, Foshan (CN)
(72) Inventor: **Yaobin Wu**, Foshan (CN)
(**) Term: **15 Years**
(21) Appl. No.: **29/721,573**
(22) Filed: **Jan. 22, 2020**
(51) **LOC (13) Cl.** **09-02**
(52) **U.S. Cl.**
USPC **D3/202**
(58) **Field of Classification Search**
USPC D3/201, 202, 327, 328; D7/507, 533,
D7/536; D9/434, 436, 443, 455
CPC B65D 23/10; B65D 23/104; B65D 23/108;
A45F 5/10; A45F 2005/1006; A45F
2005/1013; A45F 2200/0583
See application file for complete search history.

(56) **References Cited**

U.S. PATENT DOCUMENTS

1,596,076 A * 8/1926 Clancy B65D 23/104
294/31.2
3,307,752 A * 3/1967 Anderson B65D 23/108
222/465.1
D217,828 S * 6/1970 Hilliard et al. D7/622
D309,237 S * 7/1990 Kobayashi D3/202
D344,413 S * 2/1994 Bedrosian D3/202
D346,532 S * 5/1994 Ogden D7/619.1
D350,024 S * 8/1994 Ryker D3/202
5,413,261 A * 5/1995 Wu A45F 3/14
215/396
5,573,152 A * 11/1996 Arnold B65D 23/003
215/399
D378,022 S * 2/1997 Chen D3/229
D379,711 S * 6/1997 Fitzgerald D3/202
5,711,465 A * 1/1998 Pittarelli A45F 3/16
222/532
5,765,888 A * 6/1998 Stack A45F 3/14
215/396
D396,776 S * 8/1998 Hughes D11/148

5,890,635 A * 4/1999 Wu A45F 3/14
215/395
D413,984 S * 9/1999 Lindsey D24/199
5,954,247 A * 9/1999 Savine A45F 5/00
215/399
D447,862 S * 9/2001 Vagelatos D3/202
D489,256 S * 5/2004 Kelleghan D3/229
D491,465 S * 6/2004 Kelleghan D3/229
D496,588 S * 9/2004 Matsuo D9/434
6,913,159 B1 * 7/2005 Goldberg B65D 23/106
215/395

(Continued)

OTHER PUBLICATIONS

Greant Paracord Handle Compatible with Swell, MIRA, Simple Modern and Other Cola Shaped Stainless Steel Water Bottle Carrier | Holder—Fits 12oz, 17oz and 25 oz, Amazon.com, https://www.amazon.com/dp/B083M197SK/ref=nav_timeline_asin?_encoding=UTF8&th=1.*

(Continued)

Primary Examiner — Steven J Czyz

(74) *Attorney, Agent, or Firm* — Rumit Ranjit Kanakia

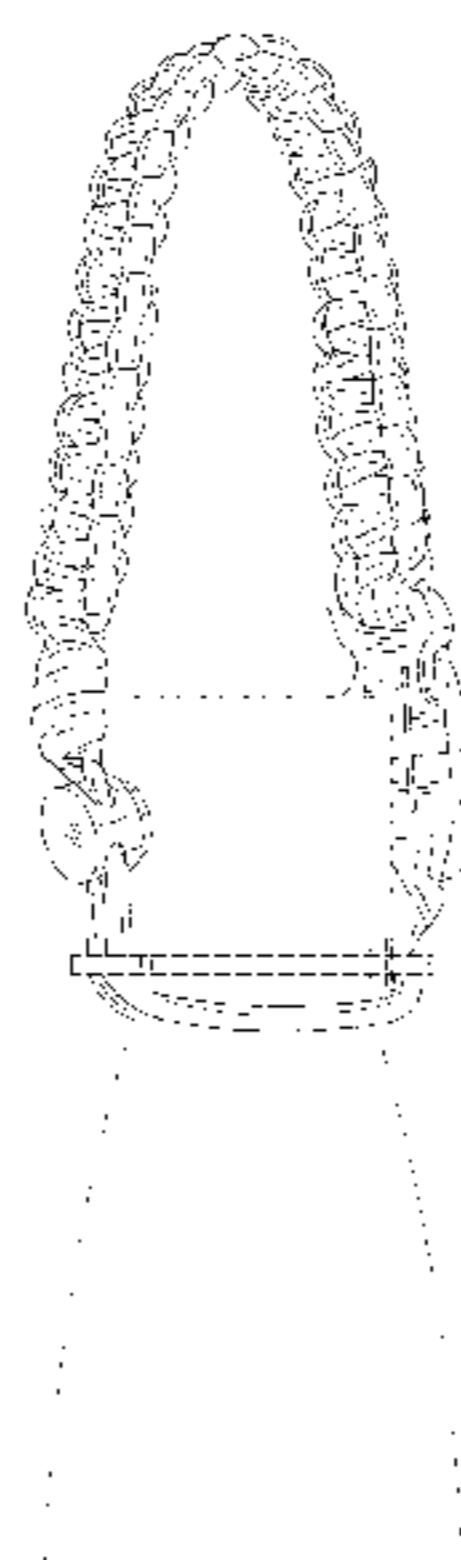
(57) **CLAIM**

I claim the ornamental design for a bottle strap, as shown and described.

DESCRIPTION

FIG. 1 is a Perspective view of a bottle strap showing my new design in use with environment;
FIG. 2 is a front view of the bottle strap;
FIG. 3 is a back view thereof;
FIG. 4 is a right-side view thereof;
FIG. 5 is a top view thereof; and,
FIG. 6 is a bottom view thereof.
The broken lines depict portions of the article and environment that form no part of the claimed design.

1 Claim, 5 Drawing Sheets



(56)

References Cited

OTHER PUBLICATIONS

U.S. PATENT DOCUMENTS

D573,415 S * 7/2008 Van Slycke D7/622
 D580,266 S * 11/2008 Hecht D9/455
 D581,658 S * 12/2008 Leslie D3/229
 D592,059 S * 5/2009 Hecht D9/455
 D628,703 S * 12/2010 Rodriguez D24/199
 7,975,887 B1 * 7/2011 Esposito A45F 5/10
 224/148.6
 8,272,545 B1 * 9/2012 Saffran A45F 5/00
 224/148.4
 D688,522 S * 8/2013 Pablo D3/202
 8,499,951 B1 * 8/2013 McDonald B65D 23/106
 215/395
 8,756,955 B2 * 6/2014 Walchle F16B 45/00
 24/573.11
 8,979,153 B2 * 3/2015 Scribner A45F 5/00
 224/148.6
 D740,109 S * 10/2015 Cruz D8/382
 D747,198 S * 1/2016 Biswas D9/434
 D764,787 S * 8/2016 Montminy D3/202
 D774,351 S * 12/2016 Breit D7/394
 D779,943 S * 2/2017 Tulencik D3/318
 D792,104 S * 7/2017 Candell D3/316
 D795,653 S * 8/2017 Gazibara D7/622
 D799,269 S * 10/2017 Vargo D7/510
 9,924,751 B2 * 3/2018 King A41F 1/002
 D840,674 S * 2/2019 Earhart D3/202
 D842,610 S * 3/2019 Bontia D3/327
 D849,392 S * 5/2019 Duran D3/202
 D850,261 S * 6/2019 Stewart D9/455
 D861,487 S * 10/2019 Webb D9/455
 D866,952 S * 11/2019 Duran D3/202
 D874,127 S * 2/2020 Wang D3/202
 10,638,828 B2 * 5/2020 Wang A45F 5/10

<https://www.amazon.com/dp/B07Y1H1DRP>.
www.amazon.com/dp/B07SS2WKGT.
www.amazon.com/dp/B07NQGTK1Y.
www.amazon.com/dp/B07PWW564J.
www.amazon.com/dp/B07PVYTV1X.
www.amazon.com/dp/B07PWWT9Q8.
www.amazon.com/dp/B07PZ72KXJ.
www.amazon.com/dp/B07PZ72C4L.
www.amazon.com/dp/B07PVYVKCQ.
www.amazon.co.uk/dp/B07YJKWBZQ.
www.amazon.co.uk/dp/B07YJNWTJ.
www.amazon.co.uk/dp/B07VQTFNC.
www.amazon.co.uk/dp/B07VMM4JVF.
www.amazon.co.uk/dp/B07VLGHTSC.
www.amazon.co.uk/dp/B07VLGKBNH.
www.amazon.co.uk/dp/B07VQTMRBL.
www.amazon.co.uk/dp/B07VPPNMJ3.
www.amazon.co.uk/dp/B07QC2BWTZ.
www.amazon.co.uk/dp/B07QBZV69B.
www.amazon.co.uk/dp/B07QC1PG91.
www.amazon.co.uk/dp/B07QB29KXX.
www.amazon.co.uk/dp/B07QBZXR1L.
www.amazon.com/dp/B07PWWRRXL.
www.amazon.com/dp/B07PWW564J.
www.amazon.com/dp/B083LZQZGR.
www.amazon.com/dp/B083M1V1JW.
www.amazon.com/dp/B083M197SK.
www.amazon.com/dp/B083M5N7ZP.
www.amazon.com/dp/B083M57P6F.

* cited by examiner

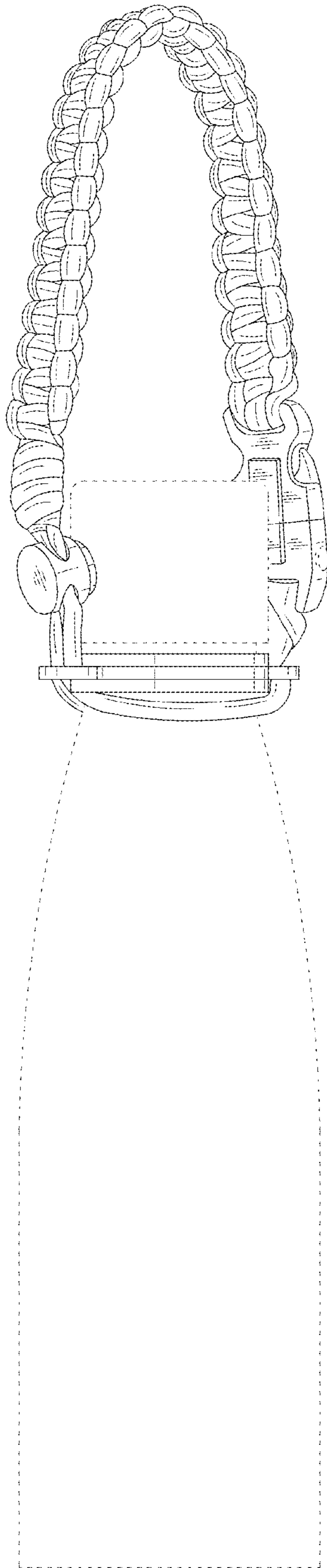


FIG. 1

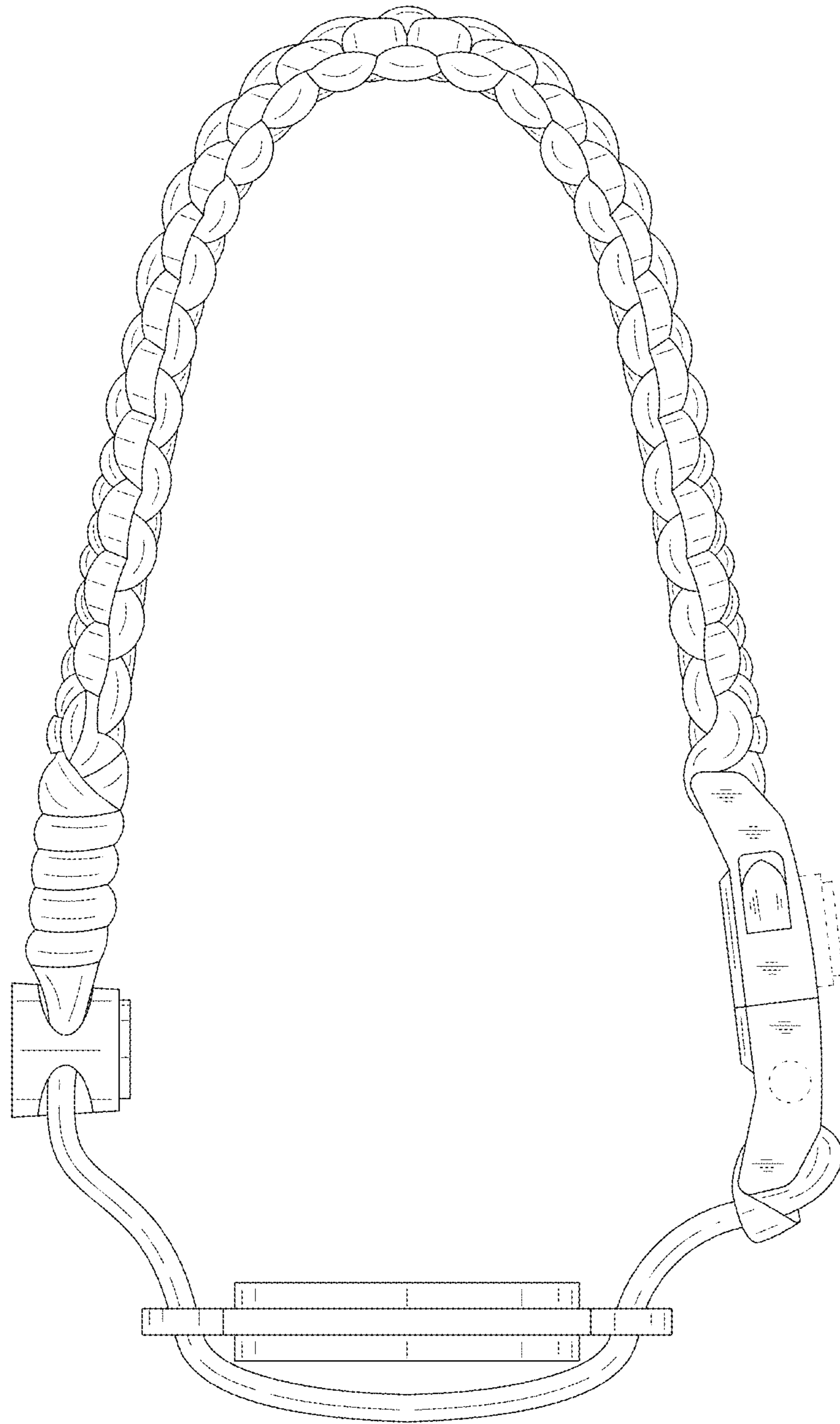


FIG. 2

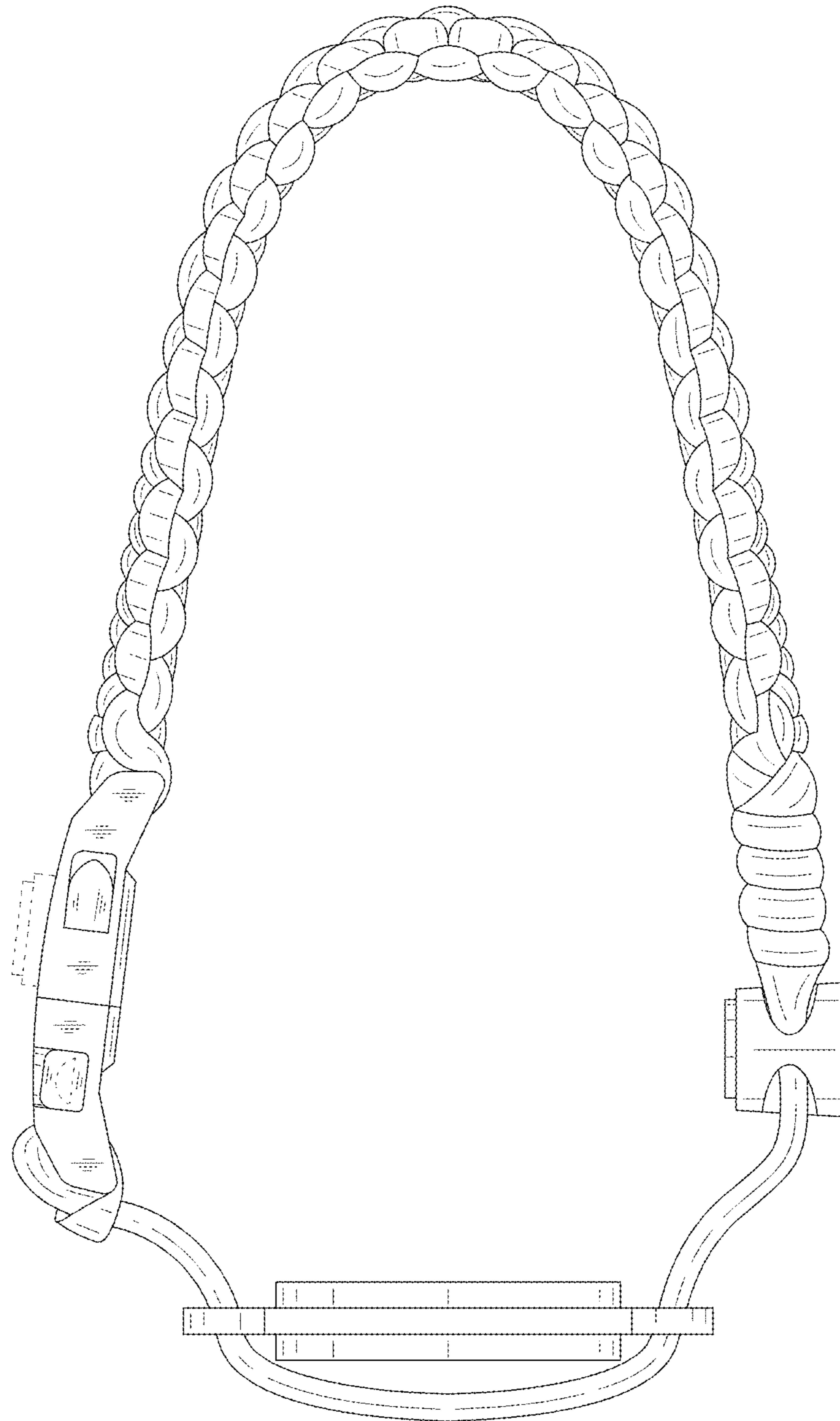


FIG. 3

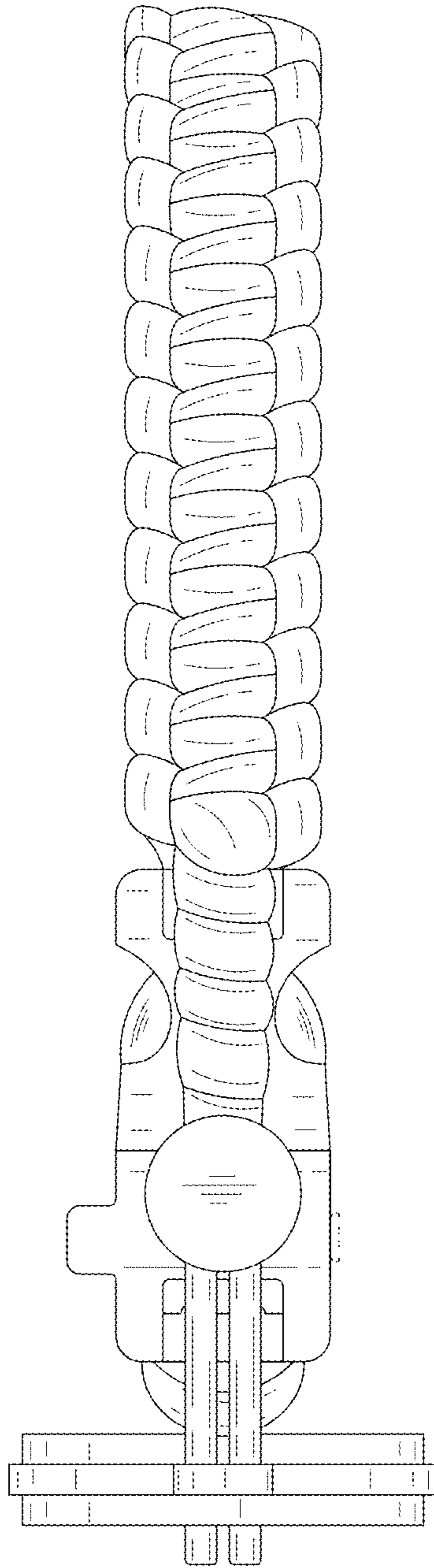


FIG. 4

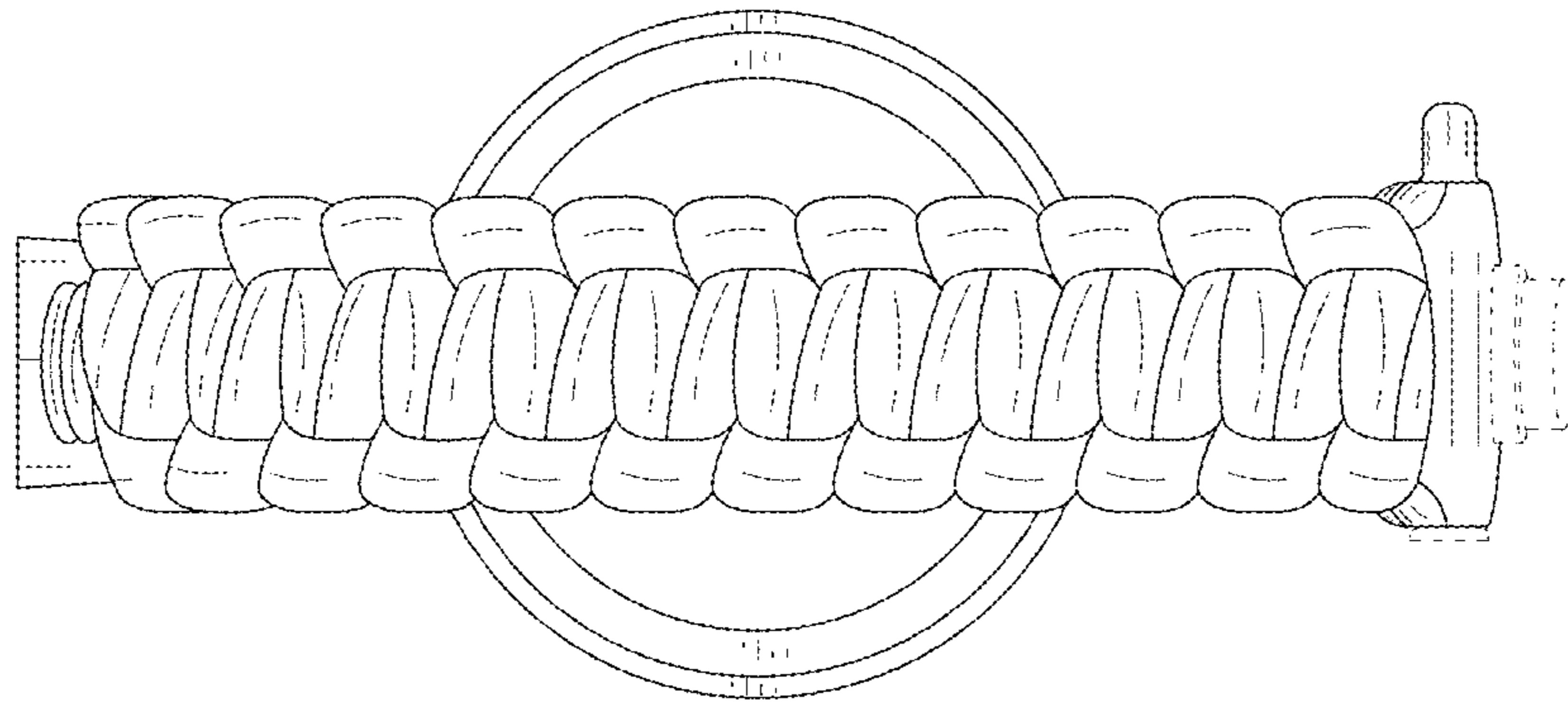


FIG. 5

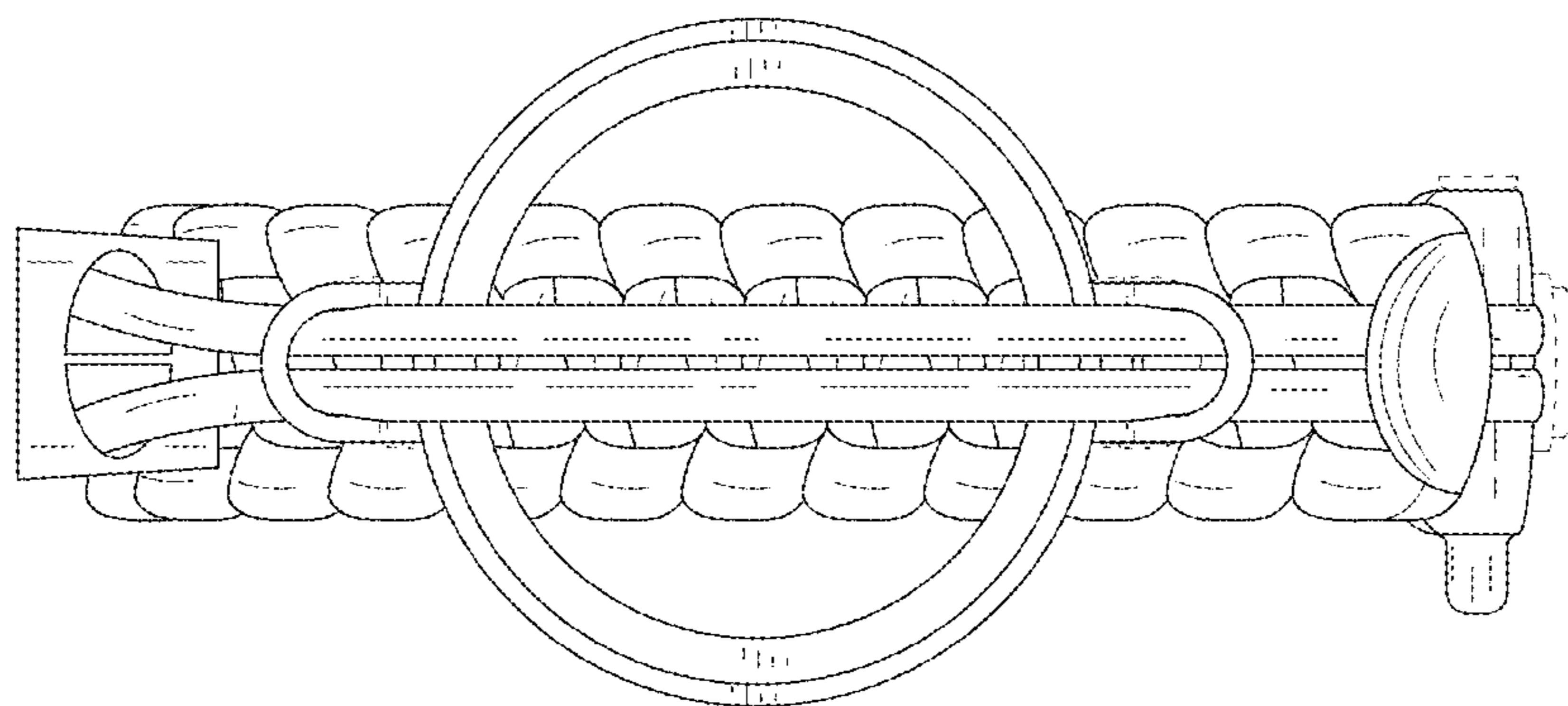


FIG. 6