



US00D919954S

(12) **United States Design Patent** (10) **Patent No.:** **US D919,954 S**
Hara (45) **Date of Patent:** **** May 25, 2021**

(54) **SOCK**

FOREIGN PATENT DOCUMENTS

(71) Applicant: **OKAMOTO CORPORATION**, Nara (JP)

JP 1507106 S 9/2014
JP 5959079 B 8/2016

(Continued)

(72) Inventor: **Susumu Hara**, Nara (JP)

Primary Examiner — Jennifer L Watkins

(73) Assignee: **OKAMOTO CORPORATION**, Nara (JP)

(74) *Attorney, Agent, or Firm* — Harness, Dickey & Pierce, P.L.C.

(**) Term: **15 Years**

(57) **CLAIM**

(21) Appl. No.: **35/507,462**

The ornamental design for a sock, as shown and described.

(22) Filed: **Mar. 19, 2019**

DESCRIPTION

(80) **Hague Agreement Data**

Int. Filing Date: **Mar. 19, 2019**
Int. Reg. No.: **DM/202447**
Int. Reg. Date: **Mar. 19, 2019**
Int. Reg. Pub. Date: **Sep. 20, 2019**

1.1 : Front
1.2 : Left
1.3 : Right
1.4 : Top
1.5 : Bottom
1.6 : is a cross-sectional view along the line **1.6-1.6** as indicated in **1.4**;
1.7 : is an enlarged partial cross-sectional view along the line **1.7-1.7** as indicated in **1.4**;
1.8 : is an enlarged partial cross sectional view along the line **1.8-1.8** as indicated in **1.4**;
1.9 : is an enlarged partial cross sectional view along the line **1.9-1.9** as indicated in **1.4**;
1.10 : is an enlarged partial cross sectional view along the line **1.10-1.10** as indicated in **1.4**;
1.11 : is an enlarged partial cross-sectional view along the line **1.11-1.11** as indicated in **1.4**.

(30) **Foreign Application Priority Data**

Sep. 27, 2018 (JP) 2018-020981

(51) **LOC (13) Cl.** **02-04**

(52) **U.S. Cl.**
USPC **D2/980**

(58) **Field of Classification Search**
USPC D2/980-995, 957, 961; D24/171, 189, D24/192

CPC A61F 5/0111; A61F 5/0195; A61F 5/012; A61F 5/01; A61F 13/00068; A61F 13/0203; A61F 5/0127

See application file for complete search history.

The subject article is a right sock having an elastic non-slip part at a part to make contact with the arch of foot of a wearer wearing the article. The left sock is a mirror image of the article. The missing rear view is a mirror image of **1.1**. The evenly dashed broken lines depict portions of a sock and form no part of the claim. The unevenly dashed lines with arrows in fig. **1.4** depict the cut line and direction of the cross sectional views and form no part of the claim.

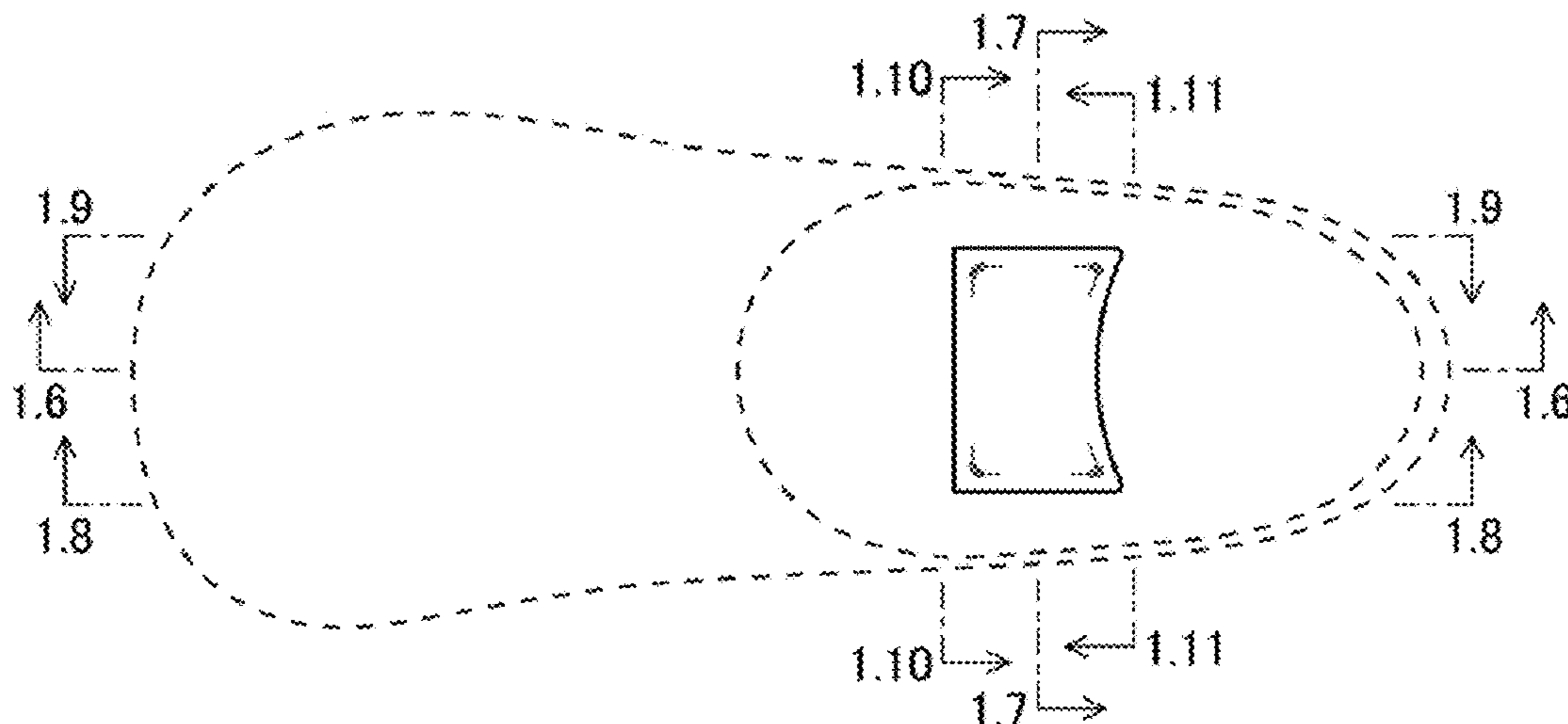
(56) **References Cited**

U.S. PATENT DOCUMENTS

D321,562 S * 11/1991 Ljungvall 5/646
D358,957 S * 6/1995 Propp D6/601
D570,488 S * 6/2008 Kirksey D24/189

(Continued)

1 Claim, 11 Drawing Sheets



(56)

References Cited

U.S. PATENT DOCUMENTS

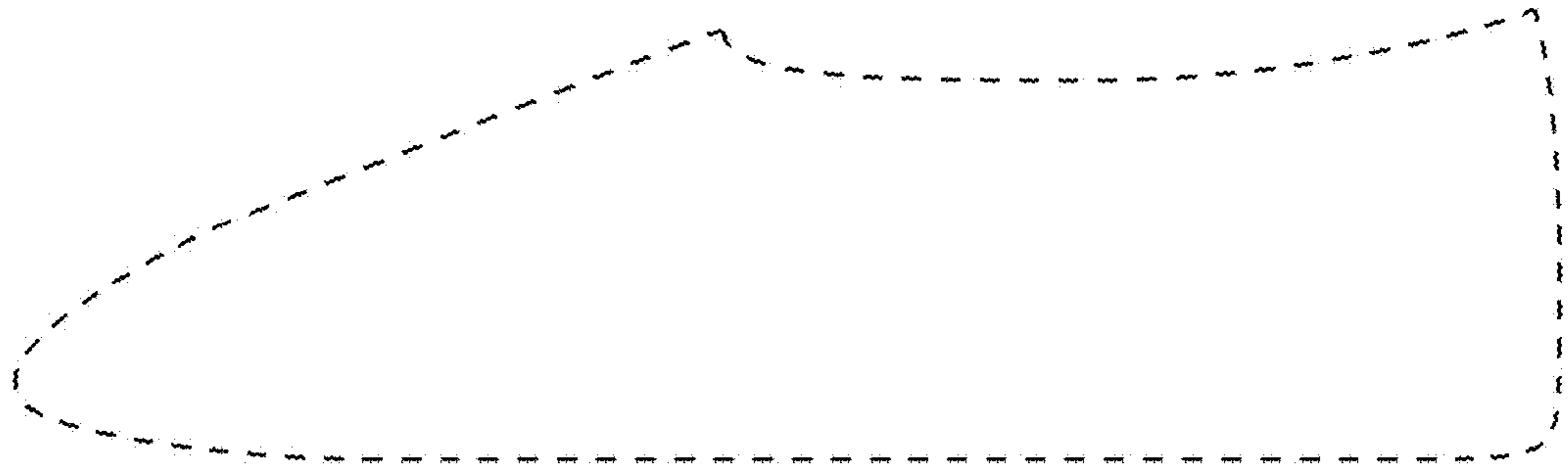
| | | | | | | |
|--------------|----|---|---------|--------------|-------|---------------------|
| D575,874 | S | * | 8/2008 | Ormsby | | D24/189 |
| D632,881 | S | * | 2/2011 | Rosenberg | | D2/961 |
| D688,017 | S | * | 8/2013 | Uchiyama | | D32/40 |
| D702,431 | S | * | 4/2014 | Lin | | D2/961 |
| D721,181 | S | * | 1/2015 | Schiebl | | D24/189 |
| D728,799 | S | * | 5/2015 | Ravikumar | | D24/184 |
| D738,602 | S | * | 9/2015 | Qin | | D2/961 |
| D746,478 | S | * | 12/2015 | Grondahl | | D24/189 |
| D746,620 | S | * | 1/2016 | King | | D6/682 |
| D747,086 | S | * | 1/2016 | Manning | | D2/961 |
| D751,805 | S | * | 3/2016 | Patterson | | D2/980 |
| D776,288 | S | * | 1/2017 | Dunn | | D24/192 |
| D790,825 | S | * | 7/2017 | Coleman | | D2/961 |
| D796,684 | S | * | 9/2017 | Ko | | D24/189 |
| D810,301 | S | * | 2/2018 | Gossman | | D24/171 |
| D814,756 | S | * | 4/2018 | Cin | | D2/957 |
| D845,492 | S | * | 4/2019 | Sudell | | D24/190 |
| D851,265 | S | * | 6/2019 | Hanft | | D24/192 |
| D874,115 | S | * | 2/2020 | Cheskin | | D2/961 |
| D874,807 | S | * | 2/2020 | Lo | | D2/961 |
| D886,228 | S | * | 6/2020 | Rofkahr, Jr. | | D22/108 |
| 2004/0194348 | A1 | * | 10/2004 | Campbell | | A43B 17/16 36/93 |

FOREIGN PATENT DOCUMENTS

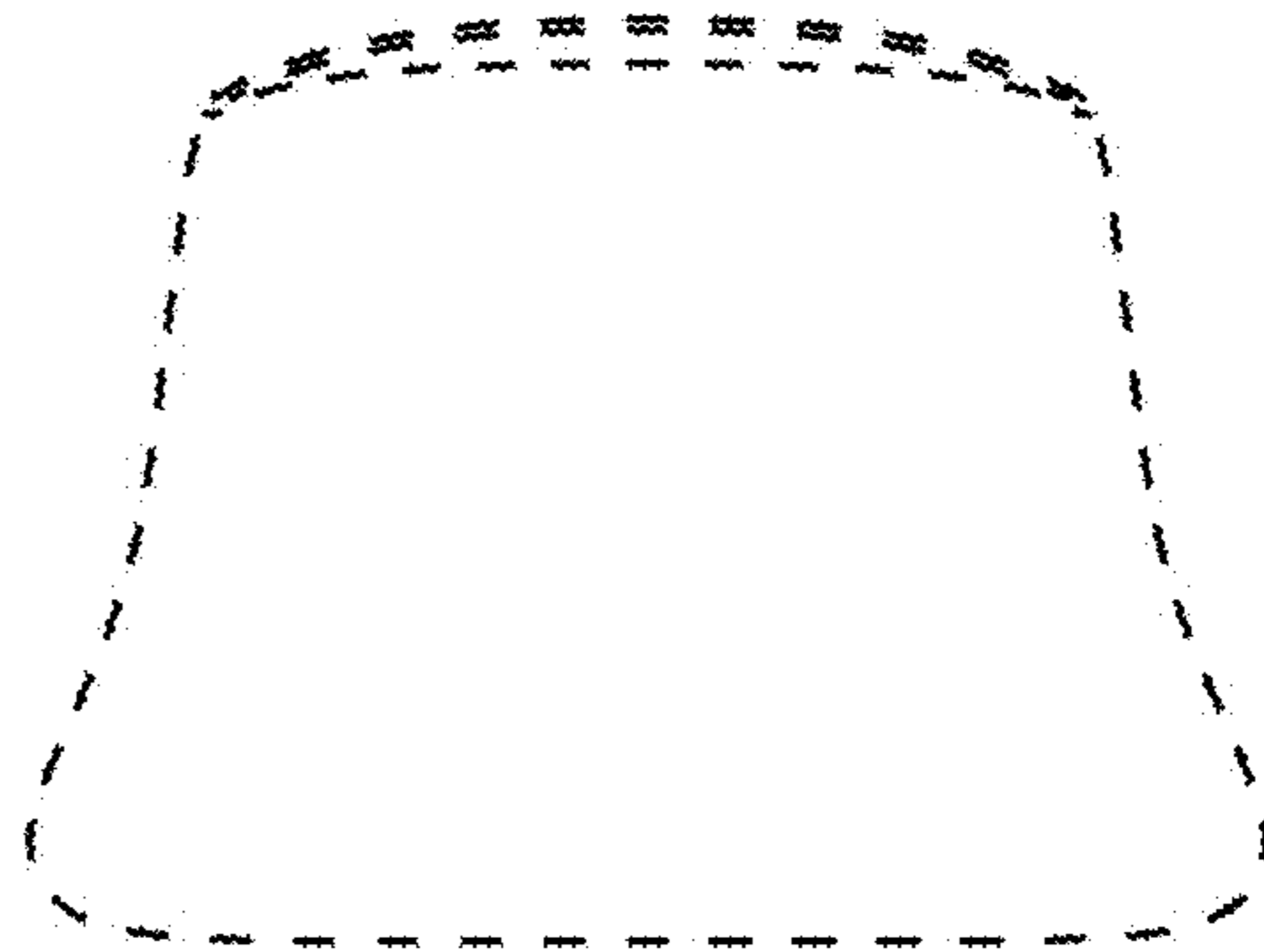
| | | | |
|----|---------|---|--------|
| JP | 1583577 | S | 8/2017 |
| JP | 1609567 | S | 7/2018 |

* cited by examiner

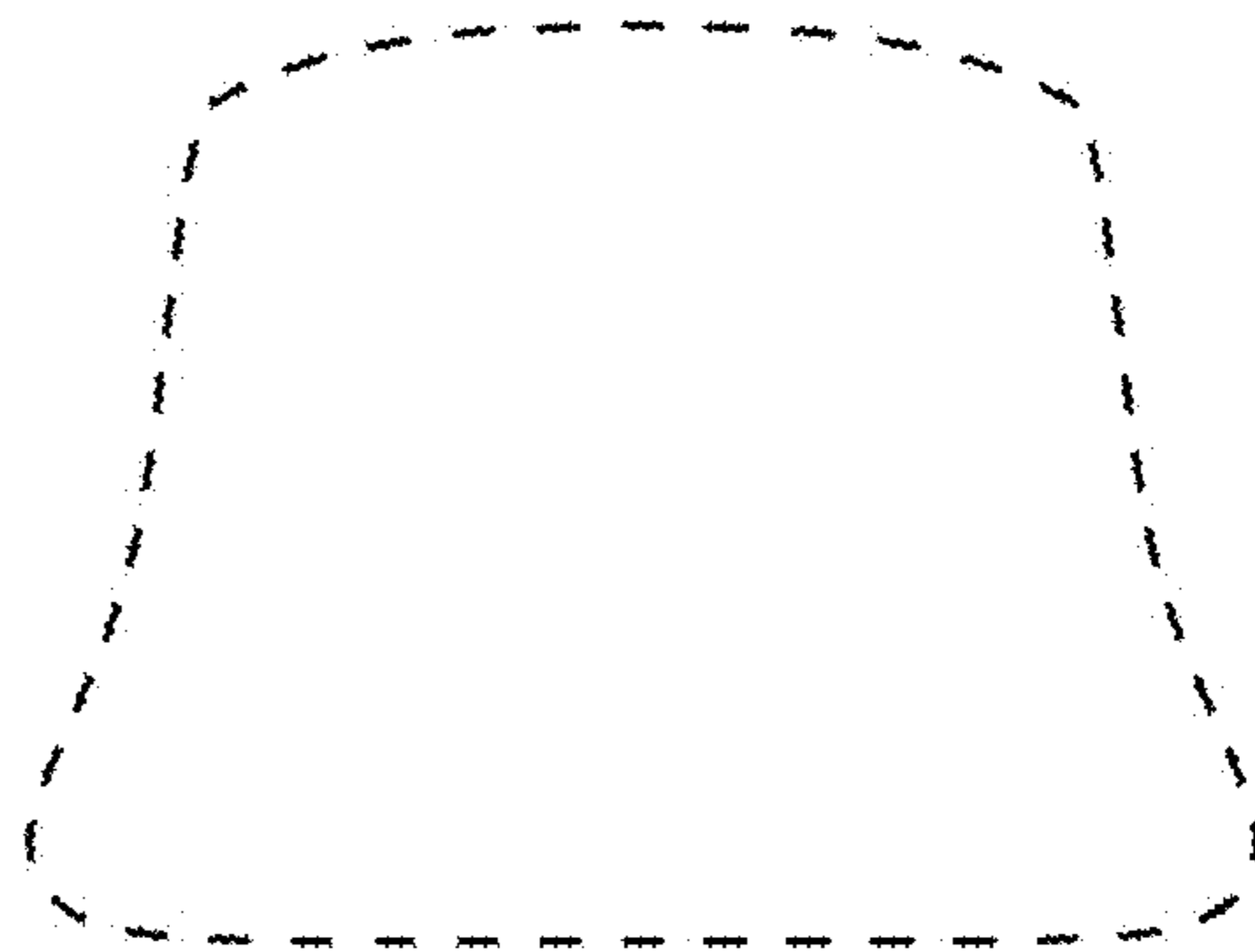
1.1



1.2



1.3



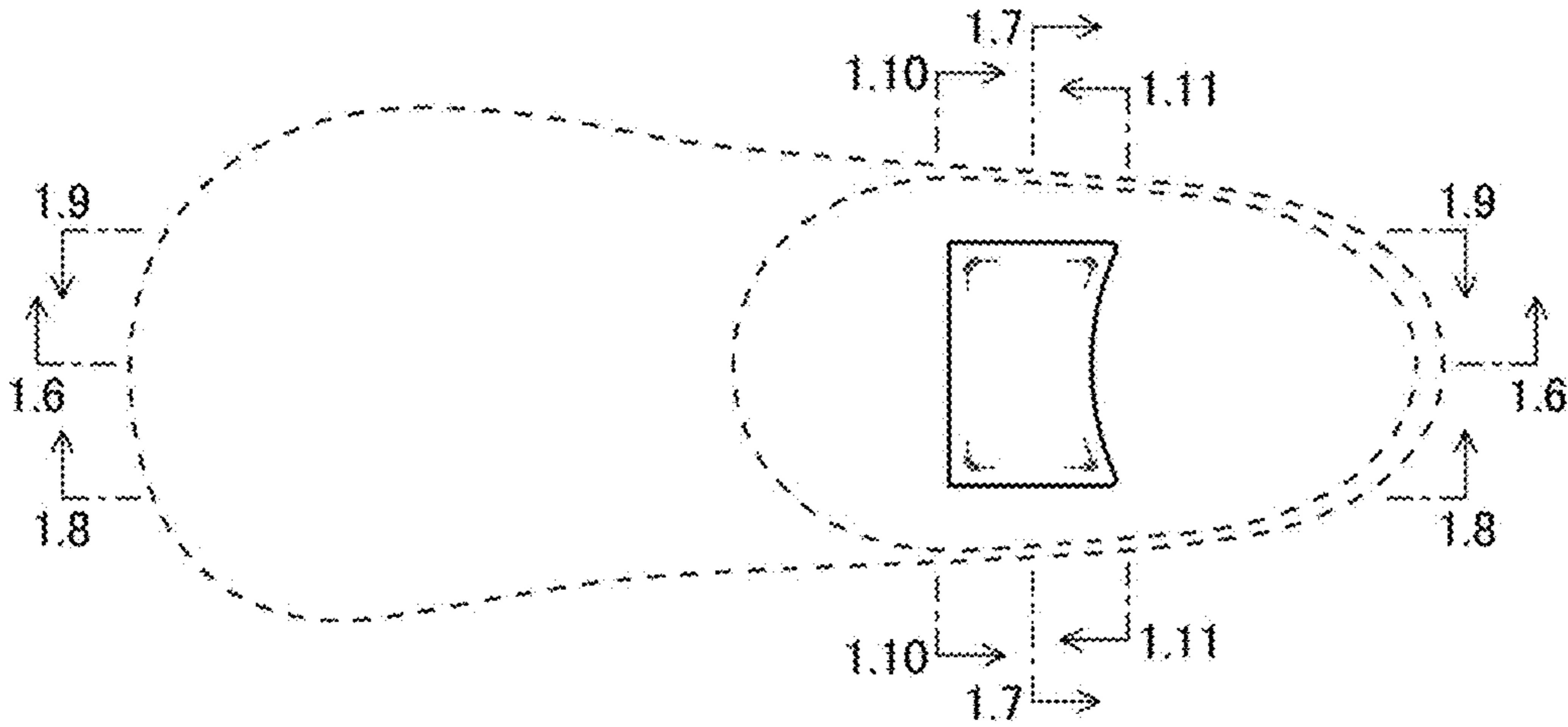
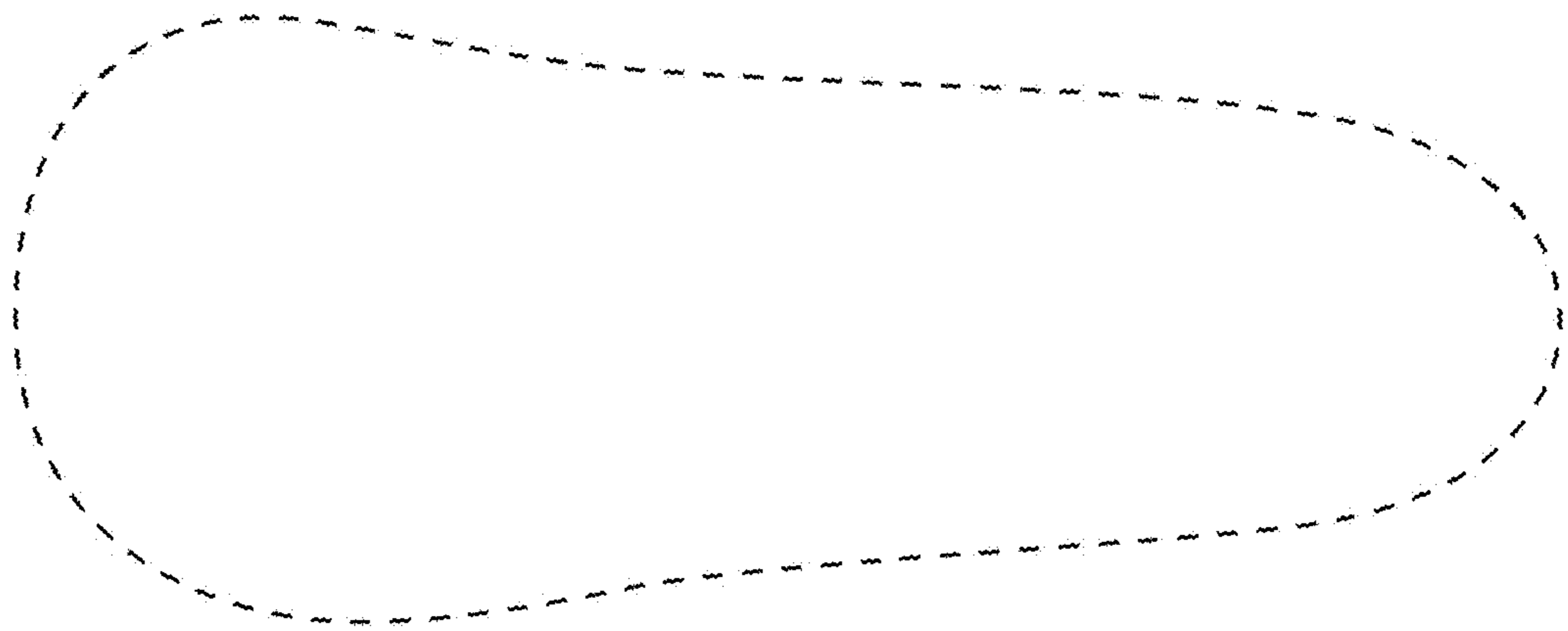
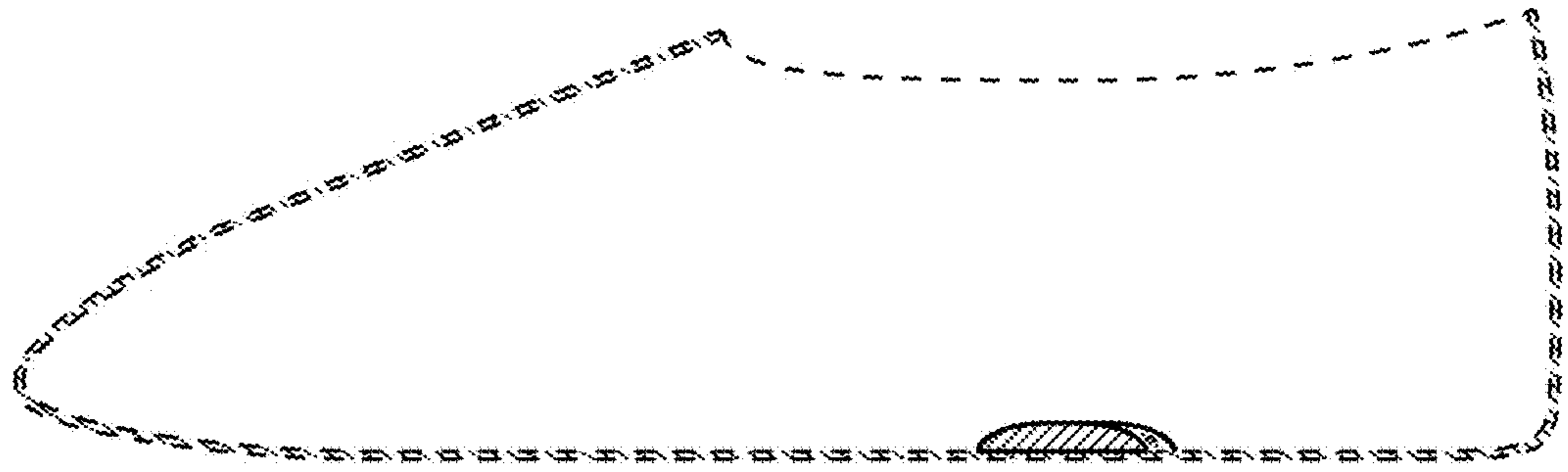


FIG. 1.4

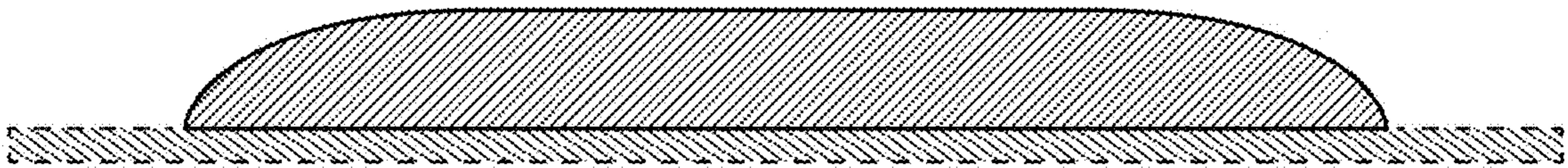
1.5



1.6



1.7



1.8



1.9



1.10



1.11

