



US00D919953S

(12) **United States Design Patent** (10) **Patent No.:** **US D919,953 S**  
**Dorn** (45) **Date of Patent:** **\*\* May 25, 2021**

- (54) **SHOE UPPER**
- (71) Applicant: **Skechers U.S.A., Inc. II**, Manhattan Beach, CA (US)
- (72) Inventor: **Tobin Randall Dorn**, Manhattan Beach, CA (US)
- (73) Assignee: **Skechers U.S.A., Inc. II**, Manhattan Beach, CA (US)
- (\*\*) Term: **15 Years**
- (21) Appl. No.: **29/750,520**
- (22) Filed: **Sep. 14, 2020**
- (51) **LOC (13) Cl.** ..... **02-07**
- (52) **U.S. Cl.**  
USPC ..... **D2/976**
- (58) **Field of Classification Search**  
USPC ..... D2/976, 946, 978, 896, 624, 639;  
D11/200, 222, 40, 95, 201; 36/136, 137  
CPC .... A43B 1/00; A43B 1/10; A43B 1/12; A43B 1/14; A43C 7/00; A43C 7/005; A43C 7/06; A43C 11/00; A43C 11/02; A43C 11/24; A43C 11/04; A43C 11/20  
See application file for complete search history.

- 5,894,686 A \* 4/1999 Parker ..... A43B 1/0072  
36/137
  - 5,918,352 A \* 7/1999 Galbreath ..... A43C 7/02  
24/712.3
  - 6,188,324 B1 \* 2/2001 Meschkow ..... A43B 3/0021  
340/573.1
  - D460,857 S \* 7/2002 Milroy ..... D2/976
  - D485,668 S 1/2004 Galway
  - D554,847 S \* 11/2007 Schmelzer ..... D2/946
  - D578,299 S \* 10/2008 Dennis ..... D2/946
  - D591,037 S \* 4/2009 Ghee ..... D2/978
  - D603,596 S 11/2009 Feeney et al.
  - D604,940 S \* 12/2009 Collier ..... D2/976
- (Continued)

- (56) **References Cited**  
**U.S. PATENT DOCUMENTS**  
895,522 A \* 8/1908 Weil ..... A43B 3/0078  
2/245  
2,233,544 A \* 3/1941 McKinley ..... A43B 1/0036  
359/519  
3,500,508 A \* 3/1970 Bennett ..... A43C 7/00  
24/712.2  
3,849,839 A \* 11/1974 Zimber ..... A44B 1/32  
24/109  
D333,552 S 3/1993 Berger et al.  
D341,924 S 12/1993 Clement  
D367,755 S 3/1996 Jones

**OTHER PUBLICATIONS**

2SPORTIFY No Tie Shoelaces for Kids and Adults—Tieless Elastic Shoe lace for Sneakers with Lock—Round Shoe Laces (2 Pack) (White—Blue)—Gran,<https://www.pinterest.com/pin/678565868835496839/>, 2021 (Year: 2021).\*

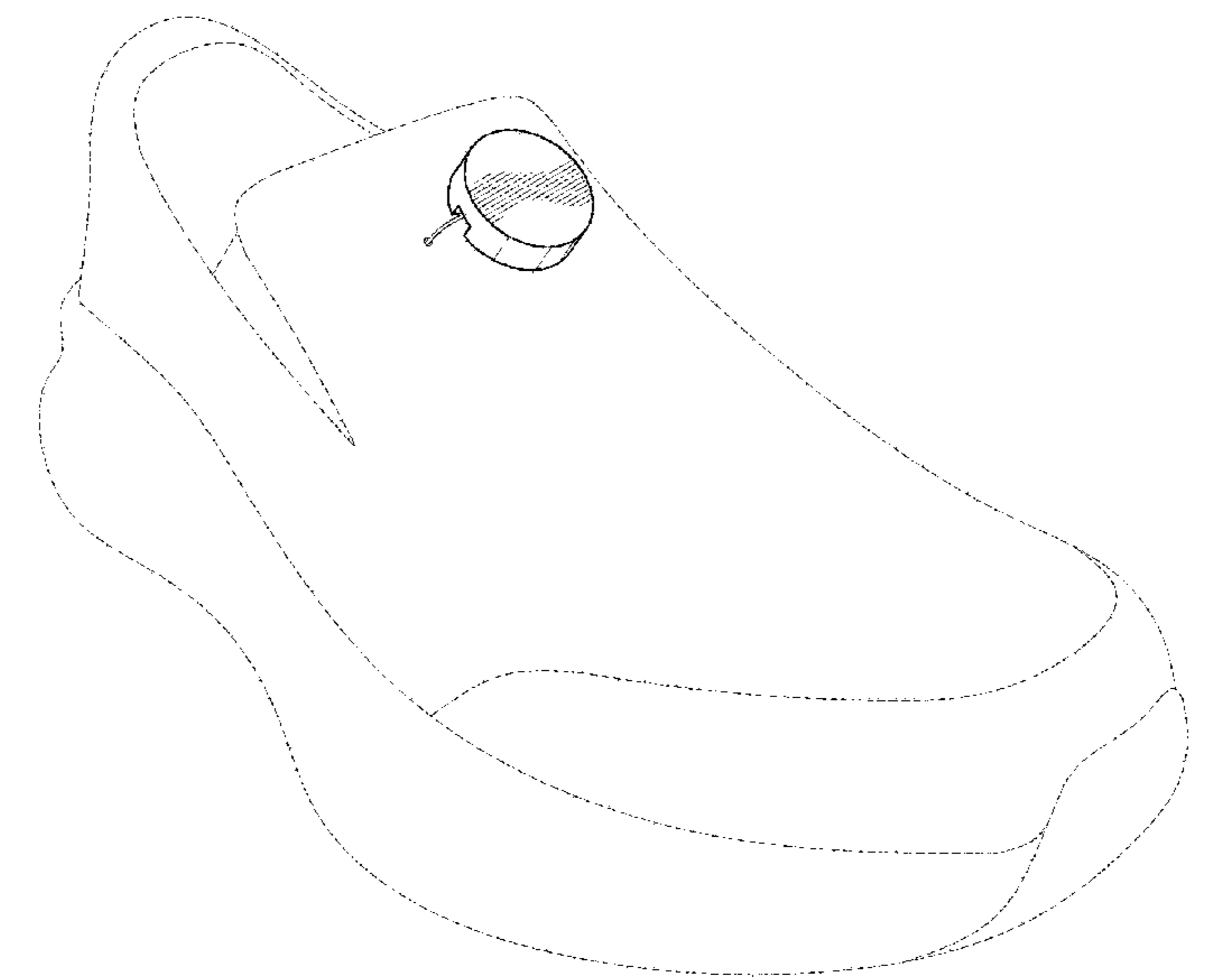
*Primary Examiner* — Elizabeth J Oswecki  
(74) *Attorney, Agent, or Firm* — Marshall A. Lerner; Marvin H. Kleinberg; Kleinberg & Lerner, LLP

(57) **CLAIM**  
The ornamental design for a shoe upper, as shown and described.

**DESCRIPTION**

FIG. 1 is a front perspective view of a shoe upper showing my new design;  
FIG. 2 is a side elevation view thereof;  
FIG. 3 is an opposite side elevation view thereof;  
FIG. 4 is a rear elevation view thereof;  
FIG. 5 is a front elevation view thereof;  
FIG. 6 is a top plan view thereof; and,  
FIG. 7 is a bottom plan view thereof.  
The broken lines shown in the drawings represent portions of the shoe that form no part of the claimed design.

**1 Claim, 6 Drawing Sheets**



(56)

References Cited

U.S. PATENT DOCUMENTS

7,698,836 B2 *	4/2010	Schmelzer .....	A43C 11/24	D799,810 S	10/2017	Mayberry	
			36/136	D806,999 S *	1/2018	Donahue .....	D2/946
D653,020 S	1/2012	Van Zyll De Jong et al.		D822,979 S *	7/2018	Wang .....	D2/976
D660,559 S	5/2012	Juang		D835,898 S	12/2018	Lovett	
D660,560 S	5/2012	Juang		D848,122 S	5/2019	Mayden et al.	
D665,987 S *	8/2012	El .....	D2/976	D853,090 S	7/2019	Yang	
D677,045 S *	3/2013	Voskuil .....	D2/976	D866,767 S *	11/2019	Fyrlund .....	24/173
8,806,783 B2 *	8/2014	Chase .....	A43B 23/24	D895,261 S *	9/2020	Cureton .....	D2/976
			36/136	D895,955 S *	9/2020	Sciutto .....	D2/976
				D907,911 S *	1/2021	Prochmann .....	D2/970
D722,758 S	2/2015	Lane et al.		2004/0237351 A1 *	12/2004	Howell .....	A43B 23/24
D735,987 S	8/2015	Hsu					36/136
D751,281 S	3/2016	Nickel et al.		2006/0010721 A1 *	1/2006	Valko .....	A43B 23/24
D758,061 S	6/2016	Whewell					36/136
D761,527 S	7/2016	Horacek et al.		2008/0060110 A1 *	3/2008	Schmelzer .....	A44B 1/32
D762,357 S	8/2016	Horacek et al.					2/69
D767,269 S	9/2016	Lovett et al.		2011/0047843 A1 *	3/2011	Russo .....	A43B 23/24
D788,446 S	6/2017	Wiingaard-Madsen					40/636
D791,465 S *	7/2017	Ratzlaff .....	D2/976	2011/0162236 A1 *	7/2011	Voskuil .....	A43C 1/00
							36/136

\* cited by examiner

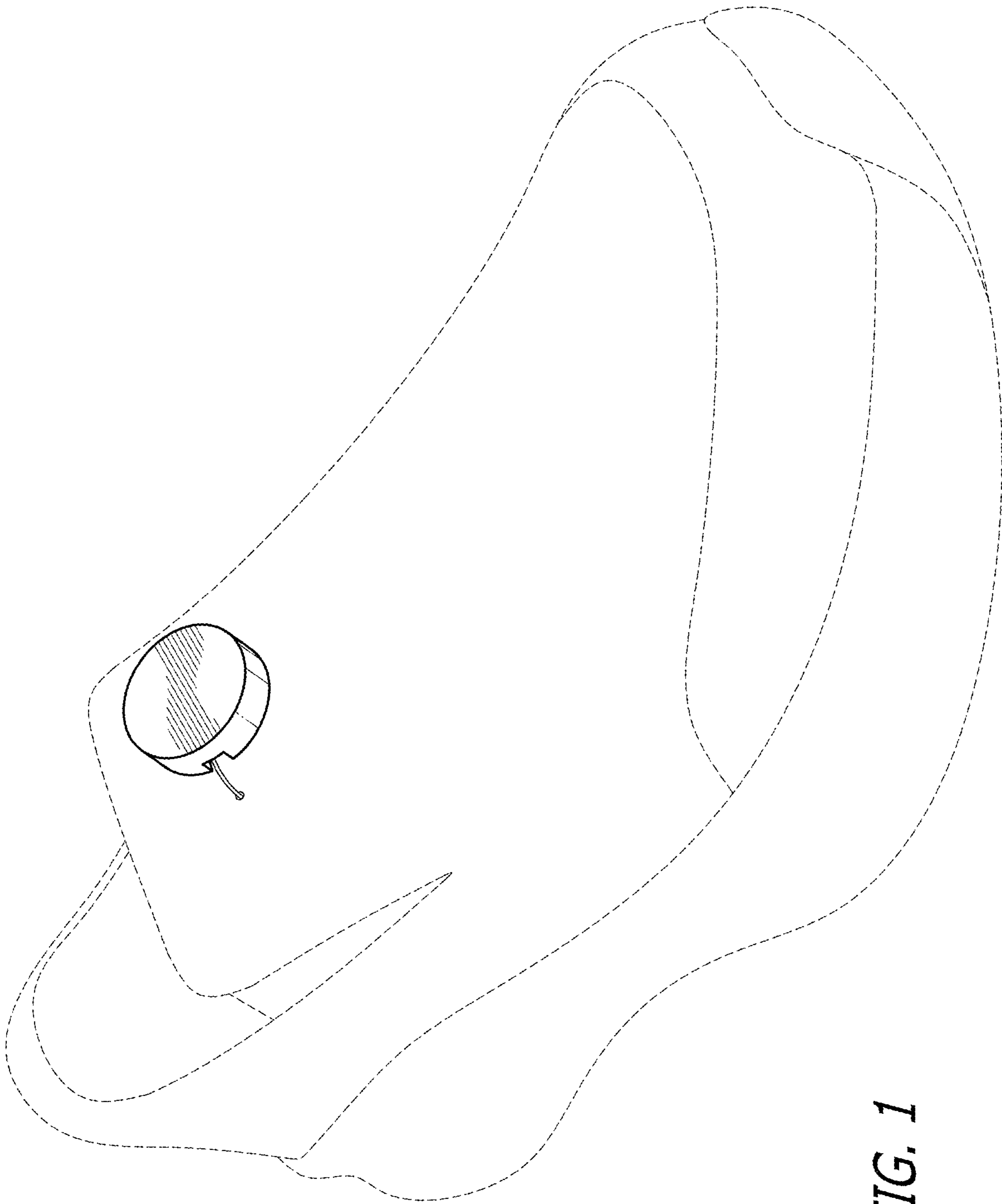
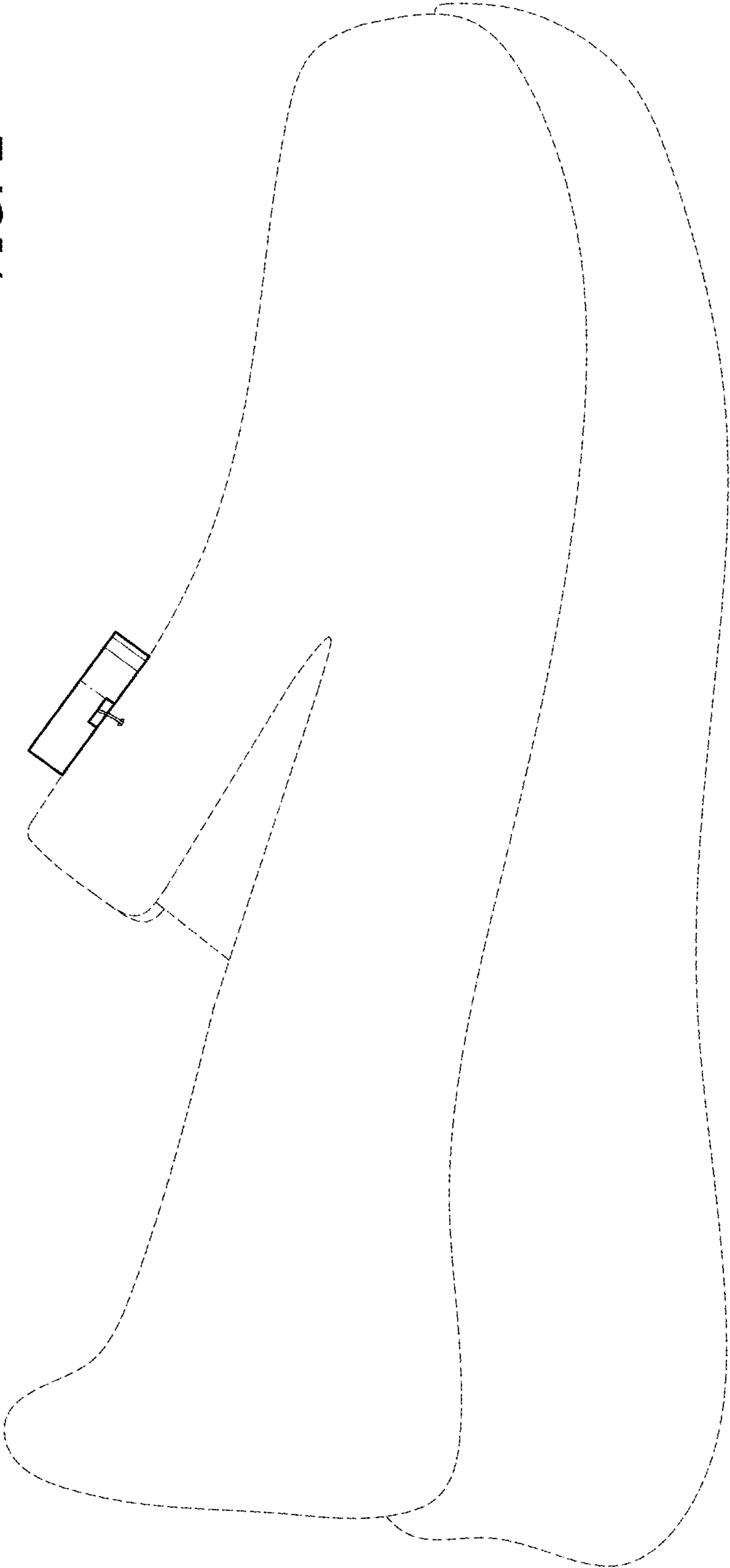


FIG. 1

FIG. 2



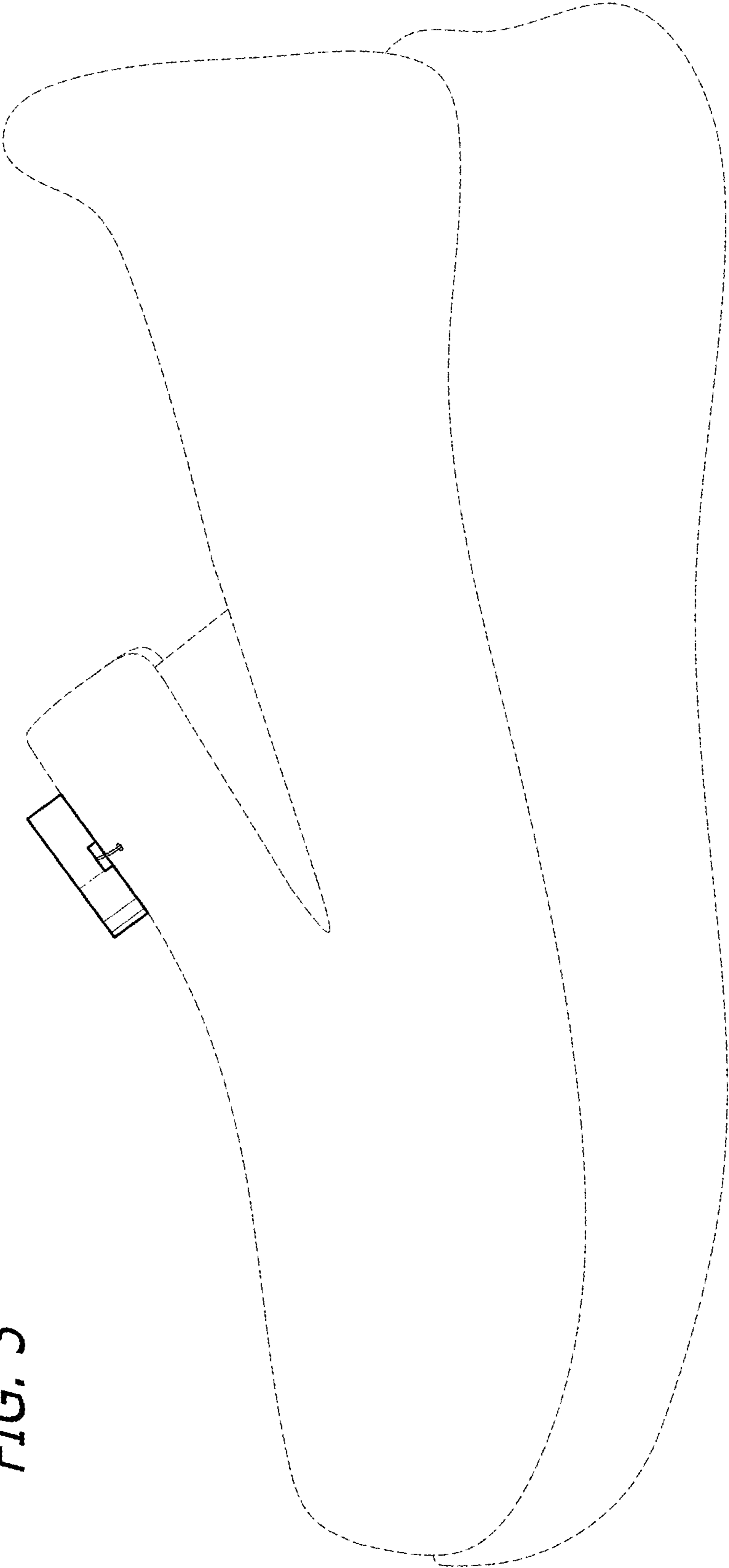


FIG. 3

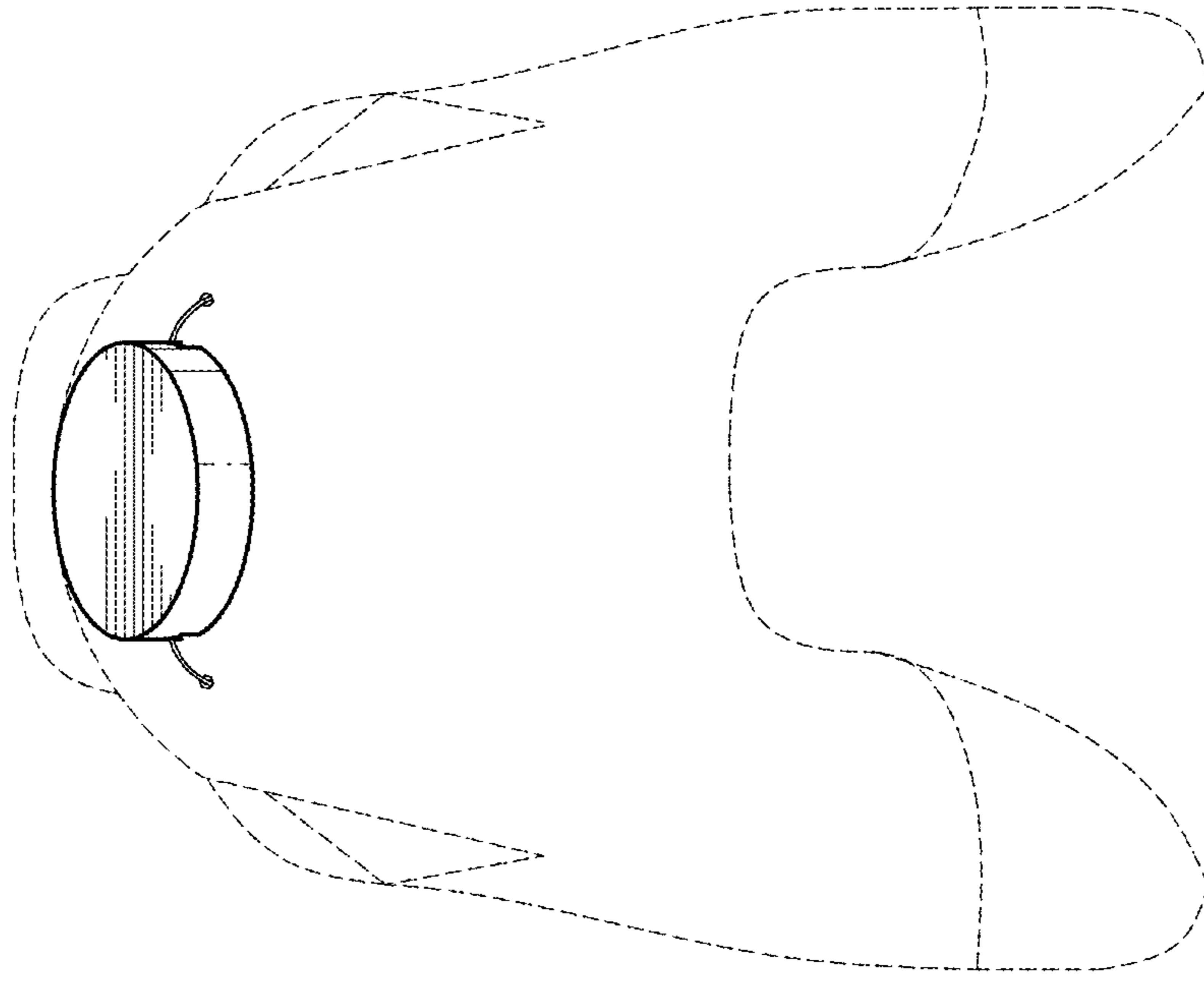


FIG. 5

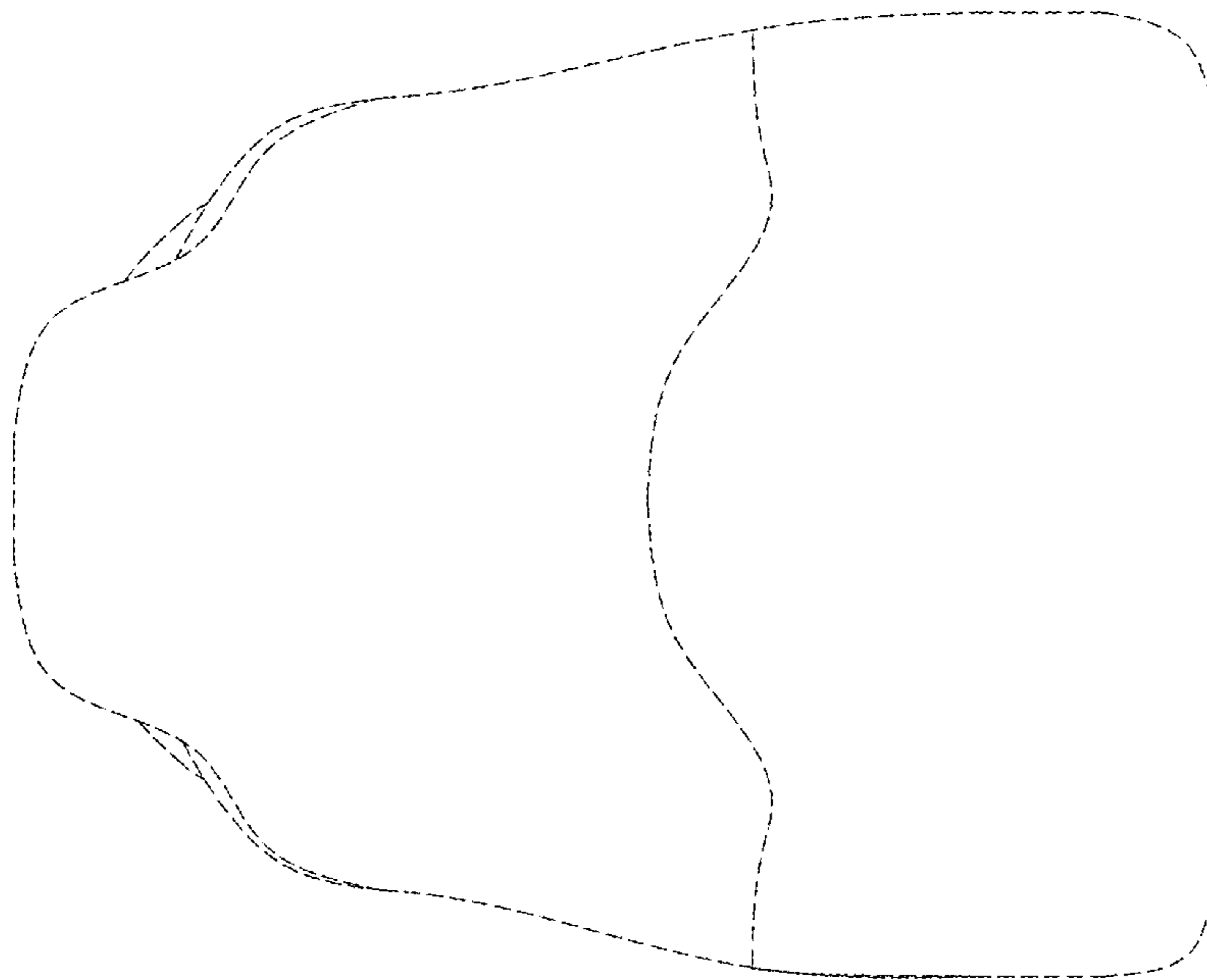


FIG. 4

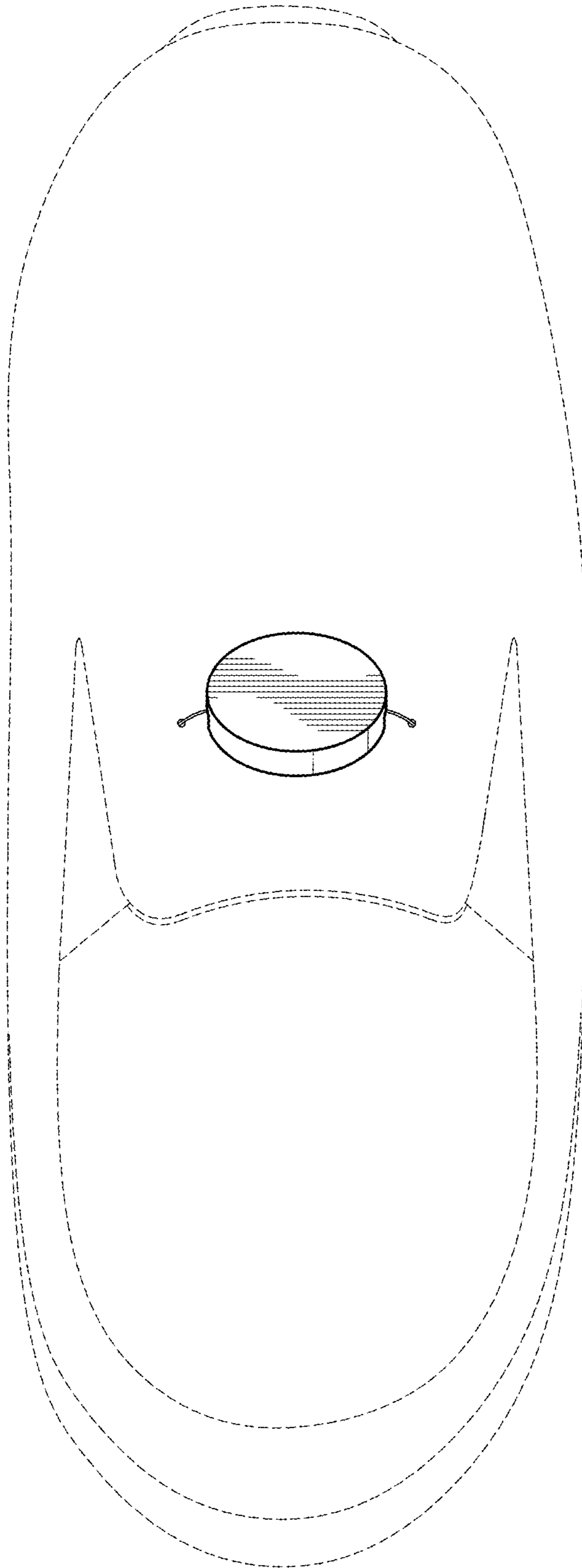
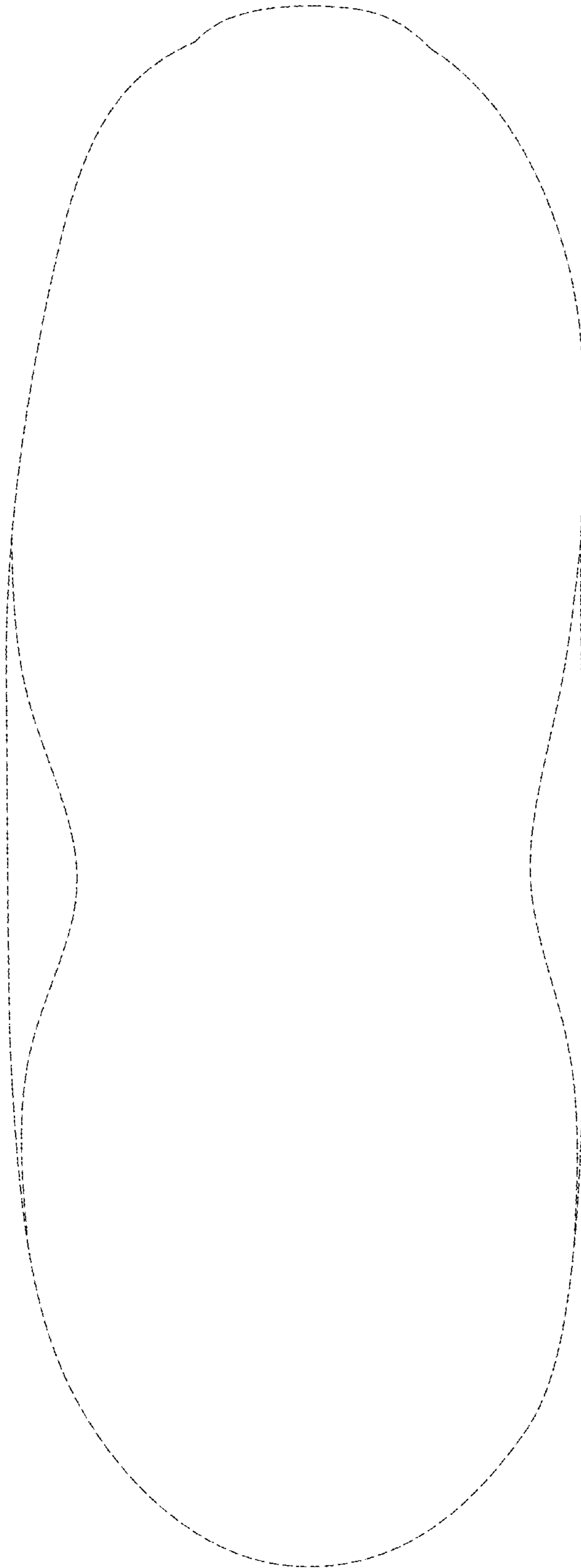


FIG. 6



*FIG. 7*