



US00D919949S

(12) **United States Design Patent** (10) **Patent No.:** **US D919,949 S**
Graffeo (45) **Date of Patent:** **** May 25, 2021**

- (54) **PAIR OF INTERCHANGEABLE SOLE MEMBERS**
- (71) Applicant: **FlipRocks, LLC**, Sandy Hook, CT (US)
- (72) Inventor: **Anthony Graffeo**, Sandy Hook, CT (US)
- (73) Assignee: **FLIPROCKS, LLC**, Sandy Hook, CT (US)
- (**) Term: **15 Years**
- (21) Appl. No.: **29/654,847**
- (22) Filed: **Jun. 28, 2018**

Related U.S. Application Data

- (63) Continuation-in-part of application No. 29/650,885, filed on Jun. 11, 2018, now Pat. No. Des. 907,345, which is a continuation of application No. 15/371,391, filed on Dec. 7, 2016, now Pat. No. 9,993,045.
- (51) **LOC (13) Cl.** **02-04**
- (52) **U.S. Cl.**
USPC **D2/953**; D2/947; D2/951; D2/960
- (58) **Field of Classification Search**
USPC D2/902, 906, 908, 916, 918, 925, D2/946-962, 977; 36/3 B, 22 R, 24.5, 36/25 R, 28, 32 R, 34 R, 59 C, 67 A, 103
CPC A43B 13/00; A43B 13/02; A43B 13/023; A43B 13/026; A43B 13/04; A43B 13/08; A43B 13/10; A43B 13/12; A43B 13/14; A43B 13/141; A43B 13/143; A43B 13/16; A43B 13/18; A43B 13/181; A43B 13/187; A43B 13/189; A43B 13/20; A43B 13/22; A43B 13/223; A43B 13/24; A43B 13/28; A43B 13/30; A43B 13/32; A43B 13/34; A43B 13/36

See application file for complete search history.

(56) **References Cited**

U.S. PATENT DOCUMENTS

1,032,600 A *	7/1912	Grant	A43C 15/063
				36/62
2,628,437 A *	2/1953	Forsythe	A43C 15/02
				36/7.7
4,262,433 A *	4/1981	Hagg	A43B 13/143
				36/25 R
4,299,037 A *	11/1981	Carey	A43C 15/06
				36/62
4,525,939 A *	7/1985	McNeil	A43C 15/06
				36/114
5,341,582 A *	8/1994	Liataud	A43C 15/06
				36/124
5,485,687 A *	1/1996	Rohde	A43C 15/02
				36/59 R
5,689,901 A	11/1997	Bell		
5,799,417 A	9/1998	Burke et al.		
5,802,738 A	9/1998	Ferniani		
5,813,143 A *	9/1998	Bell	A43C 15/06
				36/59 R

(Continued)

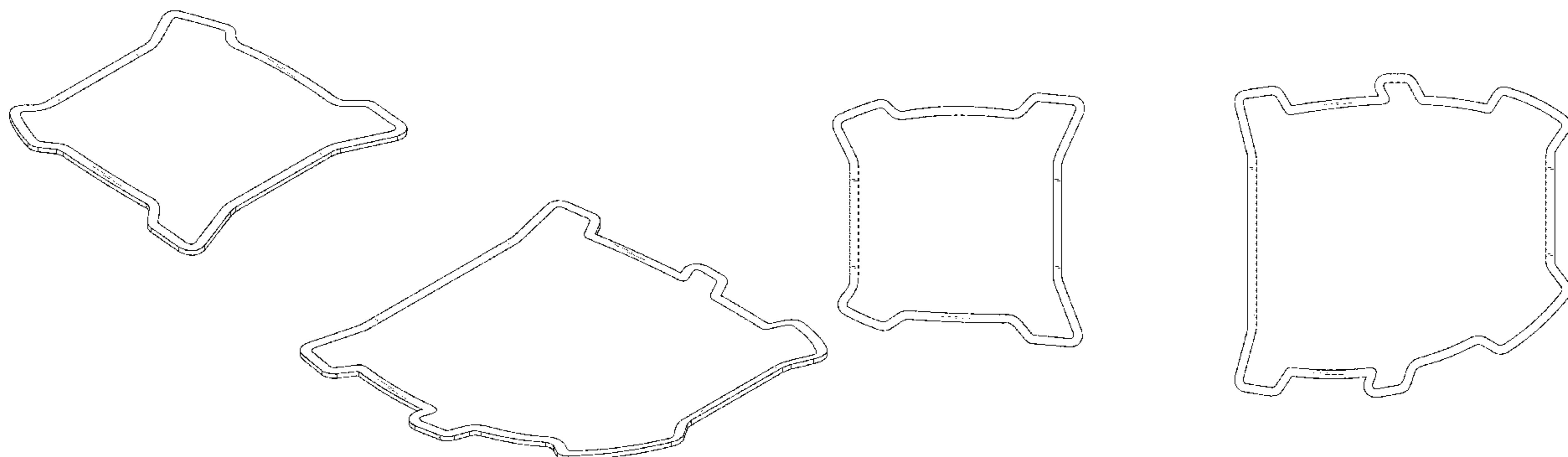
Primary Examiner — T Chase Nelson
(74) *Attorney, Agent, or Firm* — McDonald Hopkins LLC

(57) **CLAIM**
The ornamental design of pair of interchangeable sole members, as shown and described.

DESCRIPTION

FIG. 1 is a perspective view of pair of interchangeable sole members showing my new design;
FIG. 2 is a front view thereof;
FIG. 3 is a rear view thereof;
FIG. 4 is a first side view thereof;
FIG. 5 is a second side view thereof;
FIG. 6 is a top view thereof; and,
FIG. 7 is a bottom view thereof.

1 Claim, 5 Drawing Sheets



(56)

References Cited

U.S. PATENT DOCUMENTS

5,836,090	A	11/1998	Smith	
6,154,982	A	12/2000	Bell	
6,836,977	B2 *	1/2005	Larson	A43B 3/16
				36/59 R
D504,756	S *	5/2005	Adams	A43C 15/066
				D2/952
7,409,782	B2 *	8/2008	Larson	A43B 3/16
				36/59 R
7,451,557	B2	11/2008	McDonald et al.	
7,520,069	B2	4/2009	Workman	
D600,895	S *	9/2009	Morgan	D2/951
7,584,553	B1	9/2009	Medley	
7,823,299	B1	11/2010	Brigham	
8,474,155	B2	7/2013	McDonald et al.	
D688,035	S *	8/2013	Recchi	A43B 13/223
				D2/951
8,510,974	B2	8/2013	Yue	
8,991,069	B2 *	3/2015	Jones	A43C 15/061
				36/7.6
D729,393	S *	5/2015	Dunn	A43B 13/141
				D2/951
D732,805	S *	6/2015	Bruder	D2/911
D732,810	S *	6/2015	Healy	A43B 13/181
				D2/951
D765,957	S *	9/2016	Dupuy	A43B 13/187
				D2/946
9,565,890	B2 *	2/2017	Walsh	A43B 5/001
9,622,545	B2 *	4/2017	Bell	A43C 15/066
9,993,045	B2 *	6/2018	Graffeo	A43B 13/122
10,004,298	B2 *	6/2018	Bunch	A43C 15/066
D844,944	S *	4/2019	Theodorus van Oudvors	D2/910

D858,052	S *	9/2019	Bongers	D2/947
D859,798	S *	9/2019	Healy	A43B 3/16
				D2/953
D869,834	S *	12/2019	Kim	A43C 15/02
				D2/961
2003/0093922	A1 *	5/2003	Delgorgue	A43B 13/223
				36/59 R
2003/0172553	A1 *	9/2003	Truelsen	A43B 13/125
				36/102
2006/0277794	A1 *	12/2006	Schindler	A43B 13/187
				36/28
2007/0068043	A1 *	3/2007	Clark	A43B 13/26
				36/72 R
2009/0152774	A1 *	6/2009	Hensley	B29D 35/122
				264/524
2010/0031533	A1 *	2/2010	Keenan	A43B 21/28
				36/100
2010/0223809	A1	9/2010	Hensch	
2010/0223812	A1	9/2010	Bastida	
2011/0047833	A1 *	3/2011	Tai	A43B 13/12
				36/30 R
2014/0053427	A1 *	2/2014	Patton	A43B 13/189
				36/29
2014/0182167	A1 *	7/2014	James	A43B 13/181
				36/88
2015/0013185	A1 *	1/2015	Elder	A43B 13/141
				36/83
2015/0230561	A1 *	8/2015	Bunch	A43C 15/04
				36/59 C
2016/0029739	A1	2/2016	Dias	
2017/0042283	A1 *	2/2017	Nakaya	A43B 13/181
2017/0079373	A1 *	3/2017	Huard	A43B 13/122
2017/0181493	A1 *	6/2017	Graffeo	A43B 13/223
2017/0280822	A1 *	10/2017	Langvin	A43B 13/188

* cited by examiner

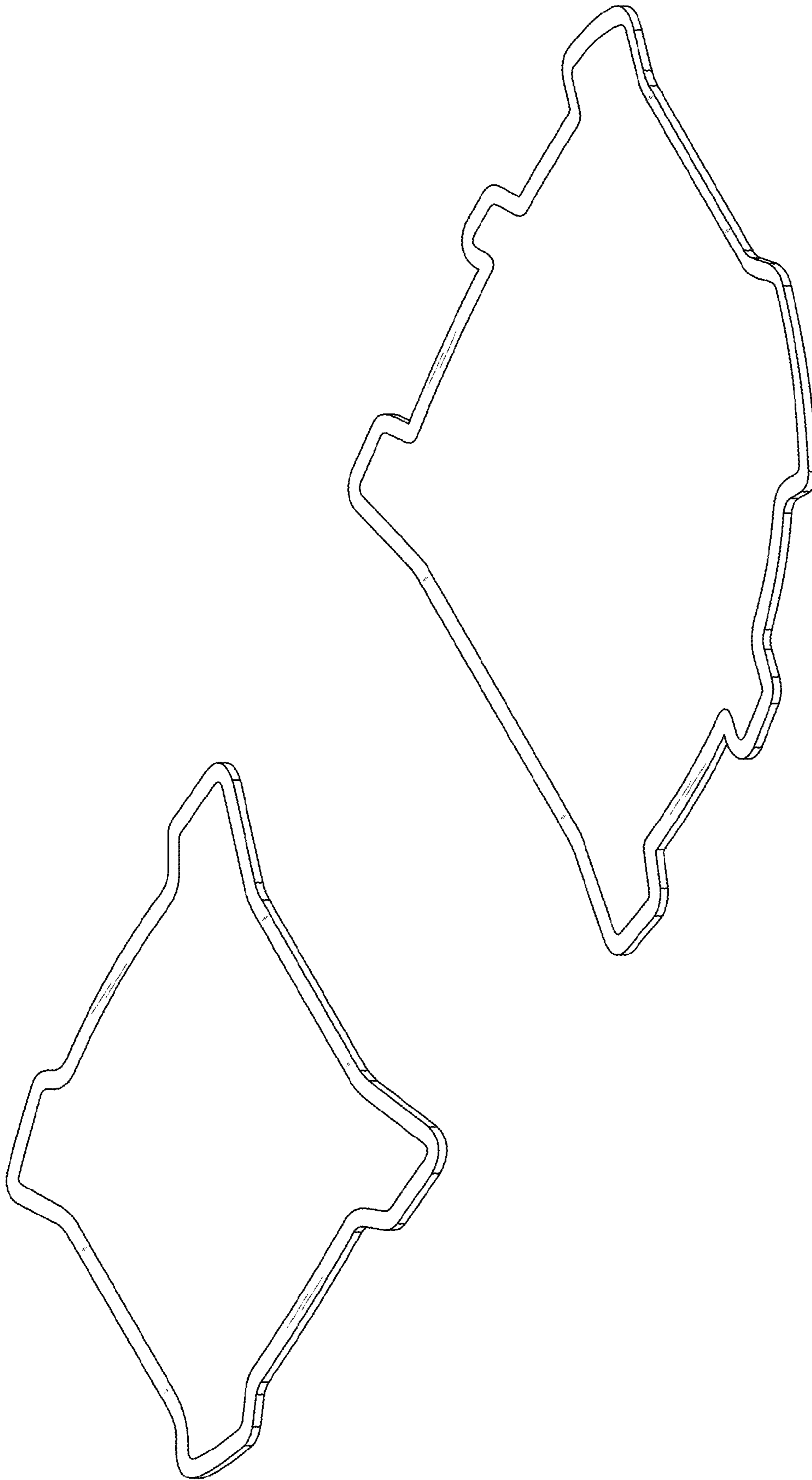


FIG. 1

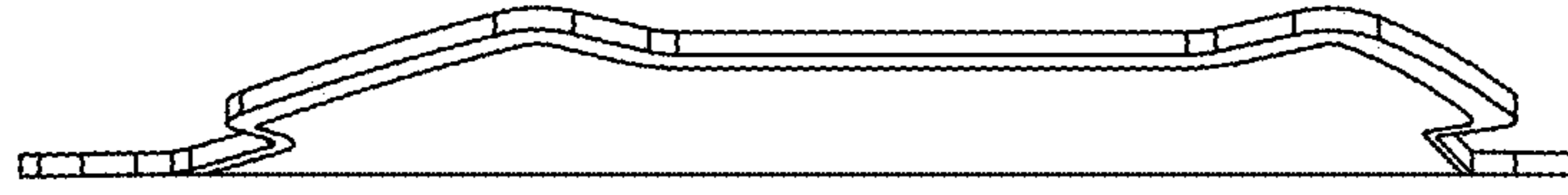


FIG. 2

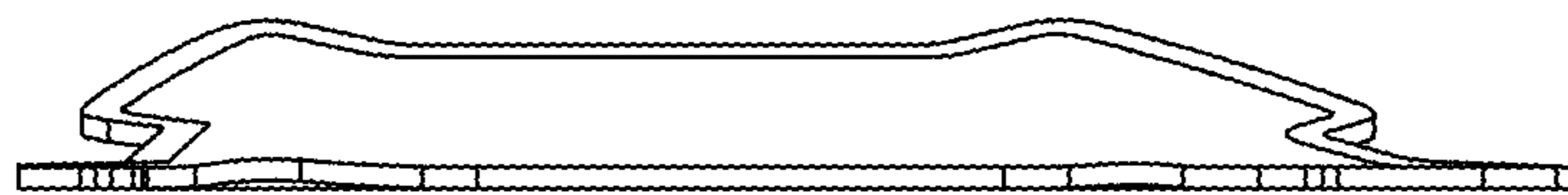


FIG. 3

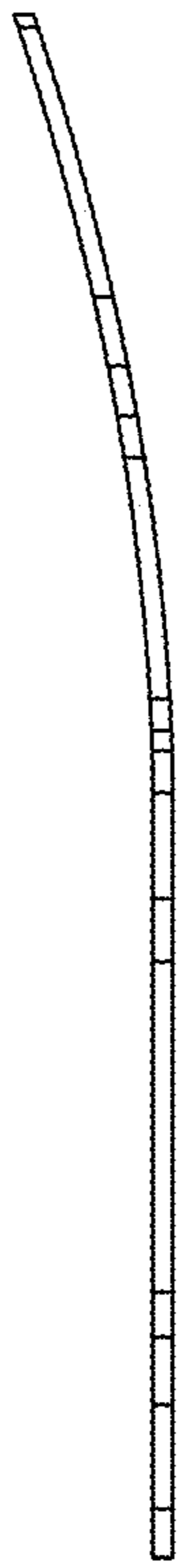


FIG. 4



FIG. 5

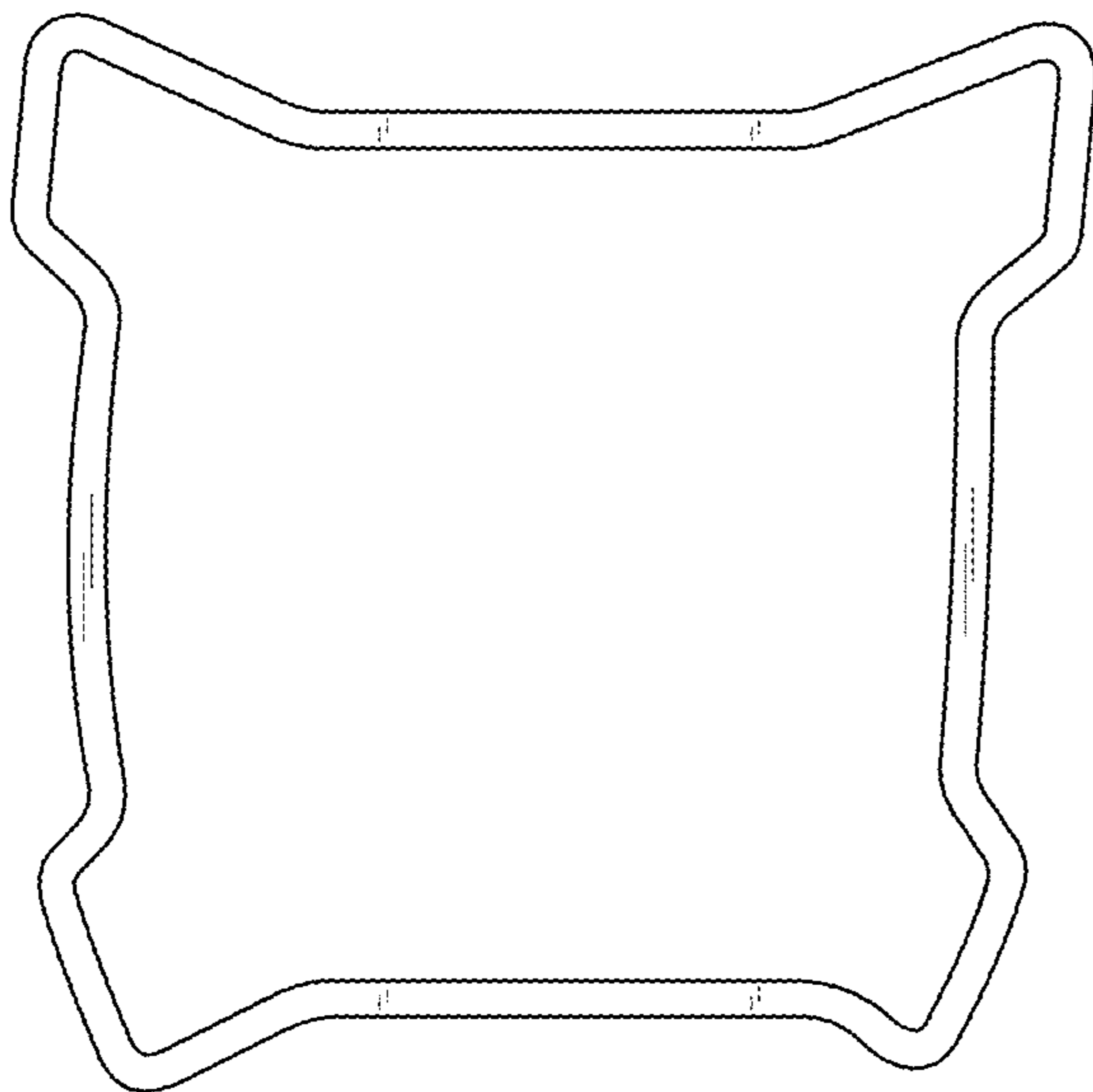
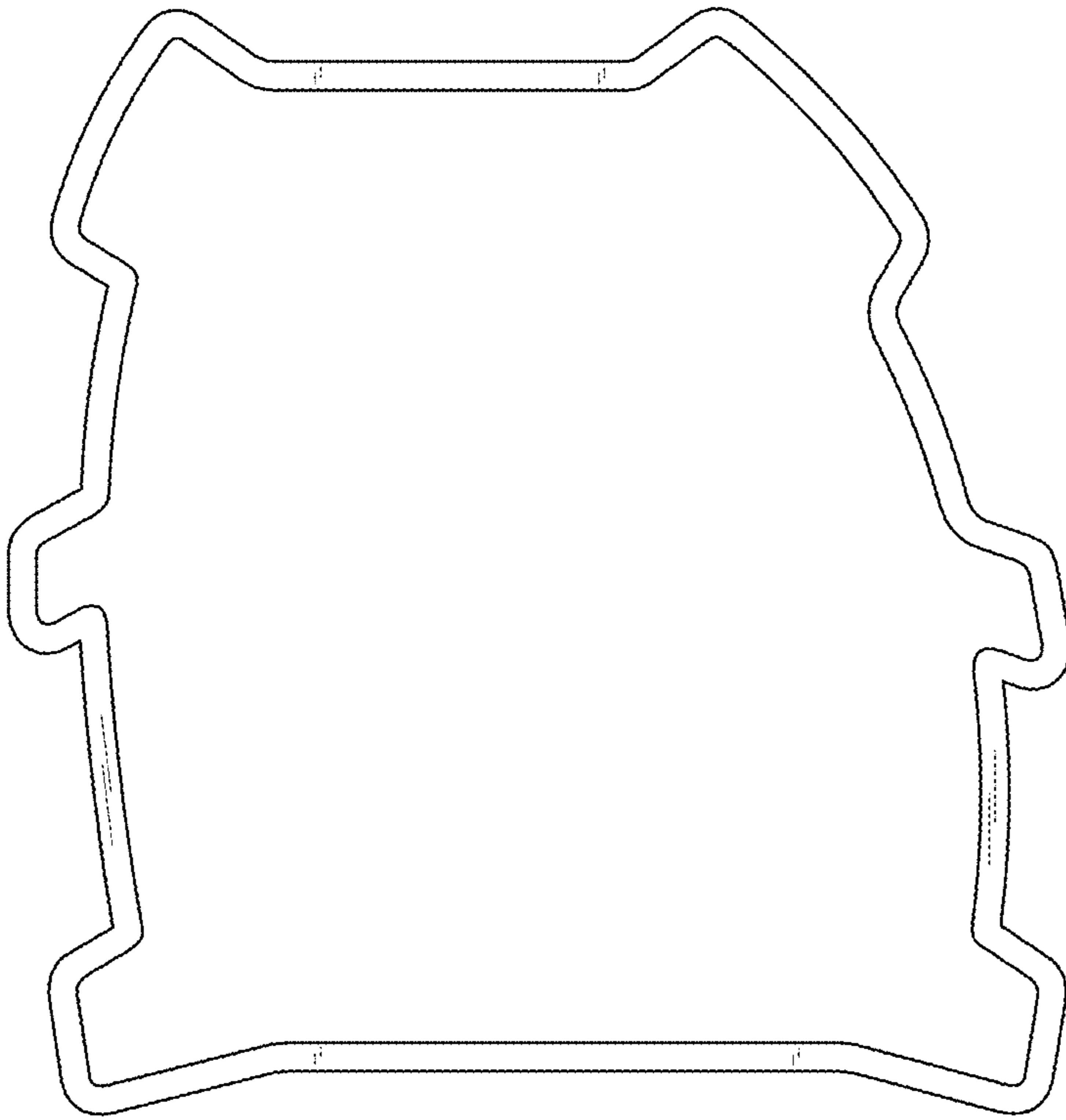


FIG. 6

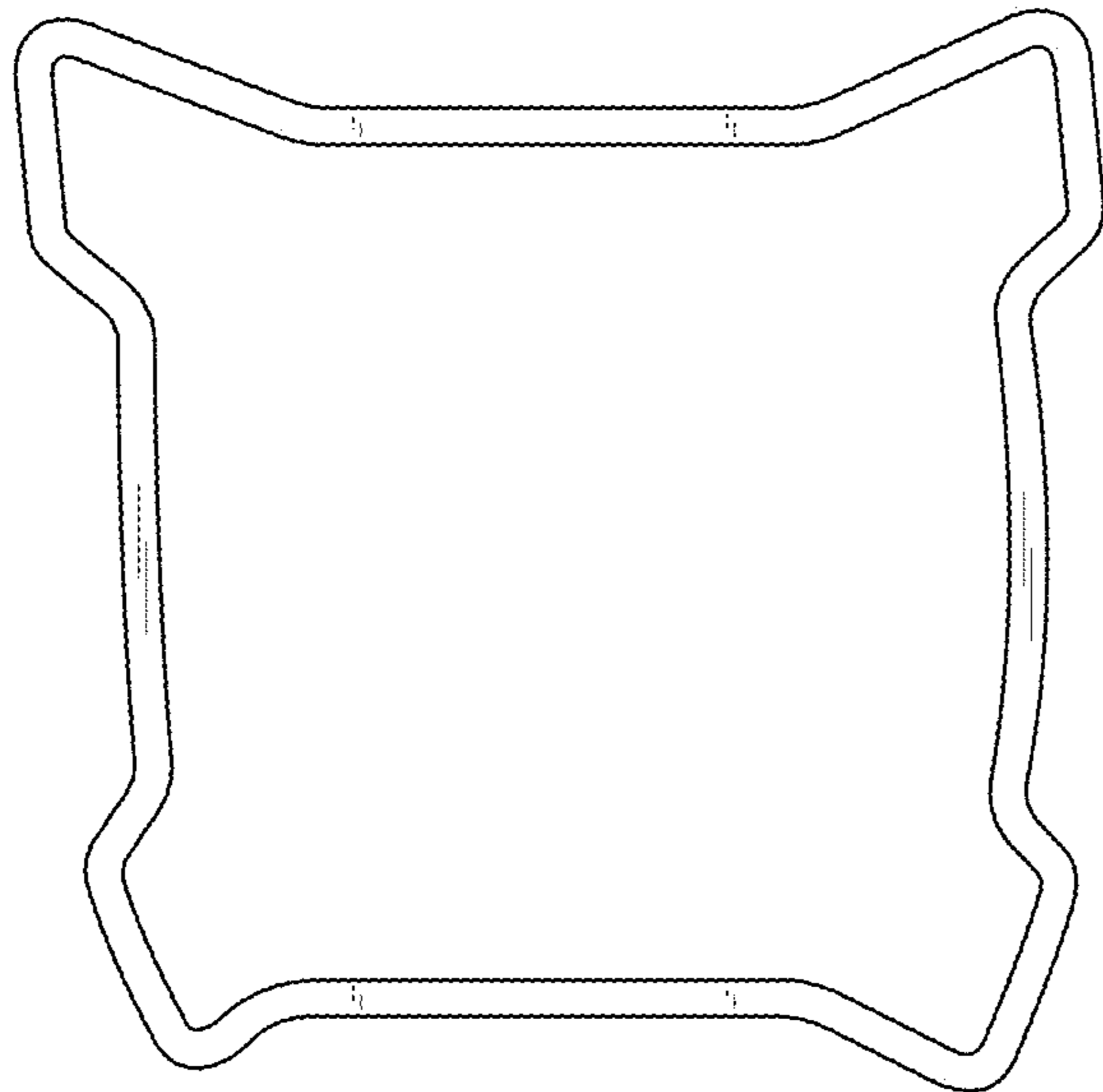
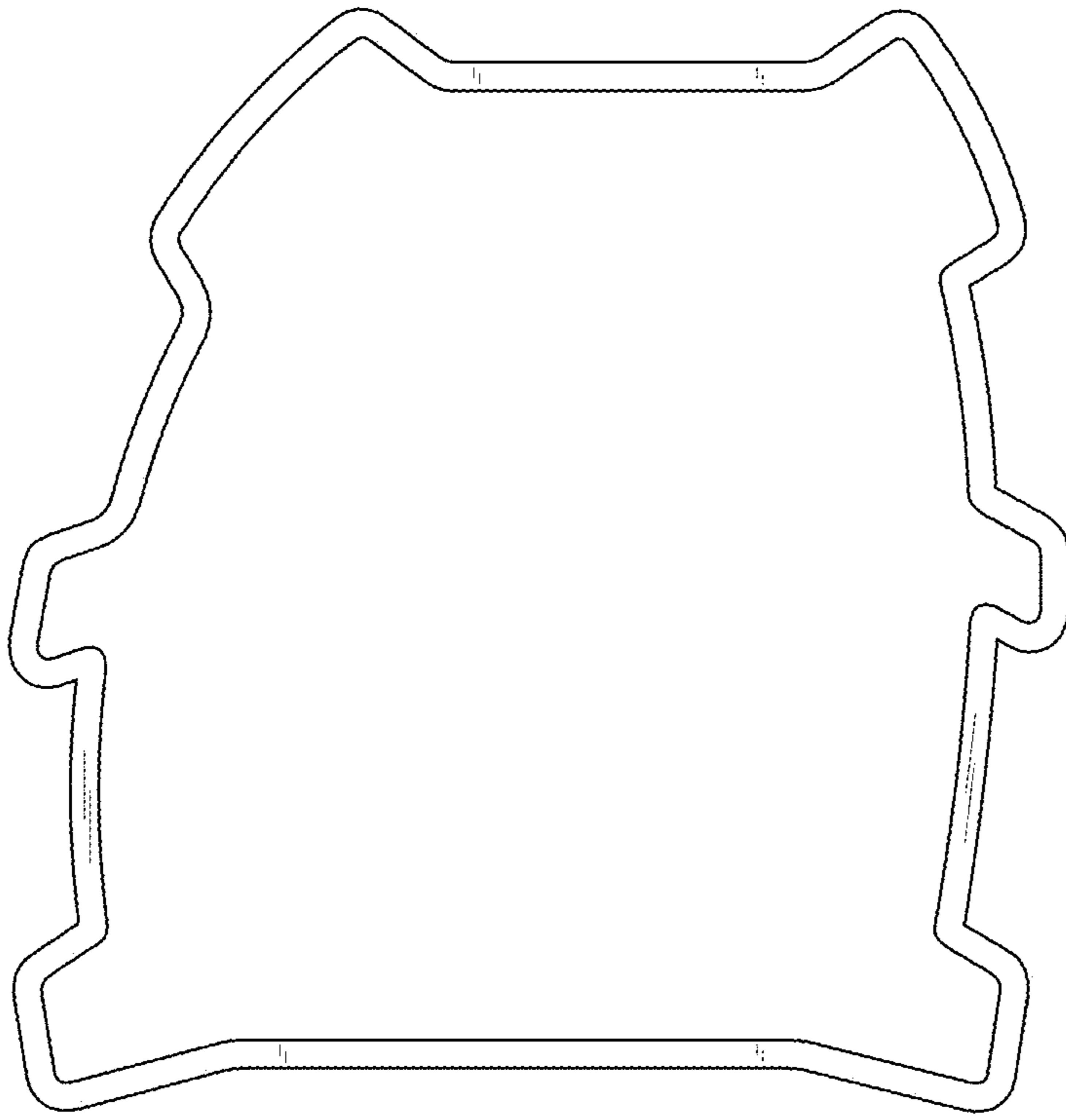


FIG. 7