



US00D919941S

(12) **United States Design Patent** (10) **Patent No.:** **US D919,941 S**
Dulude et al. (45) **Date of Patent:** **** May 25, 2021**

(54) **SHOE**
(71) Applicant: **TBL Licensing LLC**, Stratham, NH (US)

D418,967 S 1/2000 Stengel
D422,128 S * 4/2000 Adler D2/902
6,161,313 A 12/2000 Bisson
(Continued)

(72) Inventors: **Ryan Dulude**, Lee, NH (US); **Stephen Douglas Ammon**, Hampton, NH (US); **Emily V. Miller**, Eliot, ME (US)

OTHER PUBLICATIONS

Reebok internal view, Jun. 15, 2018, 4 pages.
(Continued)

(73) Assignee: **TBL Licensing LLC**, Stratham, NH (US)

Primary Examiner — Cynthia Ramirez
Assistant Examiner — Laura H Yu

(**) Term: **15 Years**

(74) *Attorney, Agent, or Firm* — Lerner, David, Littenberg, Krumholz & Mentlik, LLP

(21) Appl. No.: **29/667,244**

(22) Filed: **Oct. 19, 2018**

(57) **CLAIM**

(51) **LOC (13) Cl.** **02-04**

The ornamental design for a shoe, as shown and described.

(52) **U.S. Cl.**

USPC **D2/909**; D2/972

(58) **Field of Classification Search**

DESCRIPTION

USPC D2/902, 896, 897, 907, 908, 911, 912, D2/923, 929, 935, 943–946, 948, 953, D2/954, 959, 969, 970, 972–978, 909

The present application is filed along with U.S. Design patent application Ser. Nos. 29/667,246 and 29/667,268, the disclosures of which are incorporated herein by reference. FIG. 1 is a perspective view of a shoe showing my new design;

CPC A43B 23/02; A43B 23/025; A43B 23/24; A43B 3/0078; A43B 15/00; A43B 5/001; A43B 5/06; A43B 5/10; A43B 1/0081

FIG. 2 is a front view of a shoe thereof;

See application file for complete search history.

FIG. 3 is a back view of a shoe thereof;

(56) **References Cited**

U.S. PATENT DOCUMENTS

1,184,013 A	5/1916	Pierce
RE24,897 E	11/1960	Schlecht
3,082,553 A	3/1963	Wilmans
3,206,874 A	9/1965	Ellis
3,465,365 A	9/1969	Jones
4,972,609 A	11/1990	Oh et al.
5,158,767 A	10/1992	Cohen et al.
5,457,898 A	10/1995	Fortin et al.
D379,678 S	6/1997	Rosado
5,680,657 A	10/1997	Valtakari
5,833,639 A	11/1998	Nunes et al.

FIG. 4 is a left view of a shoe thereof;

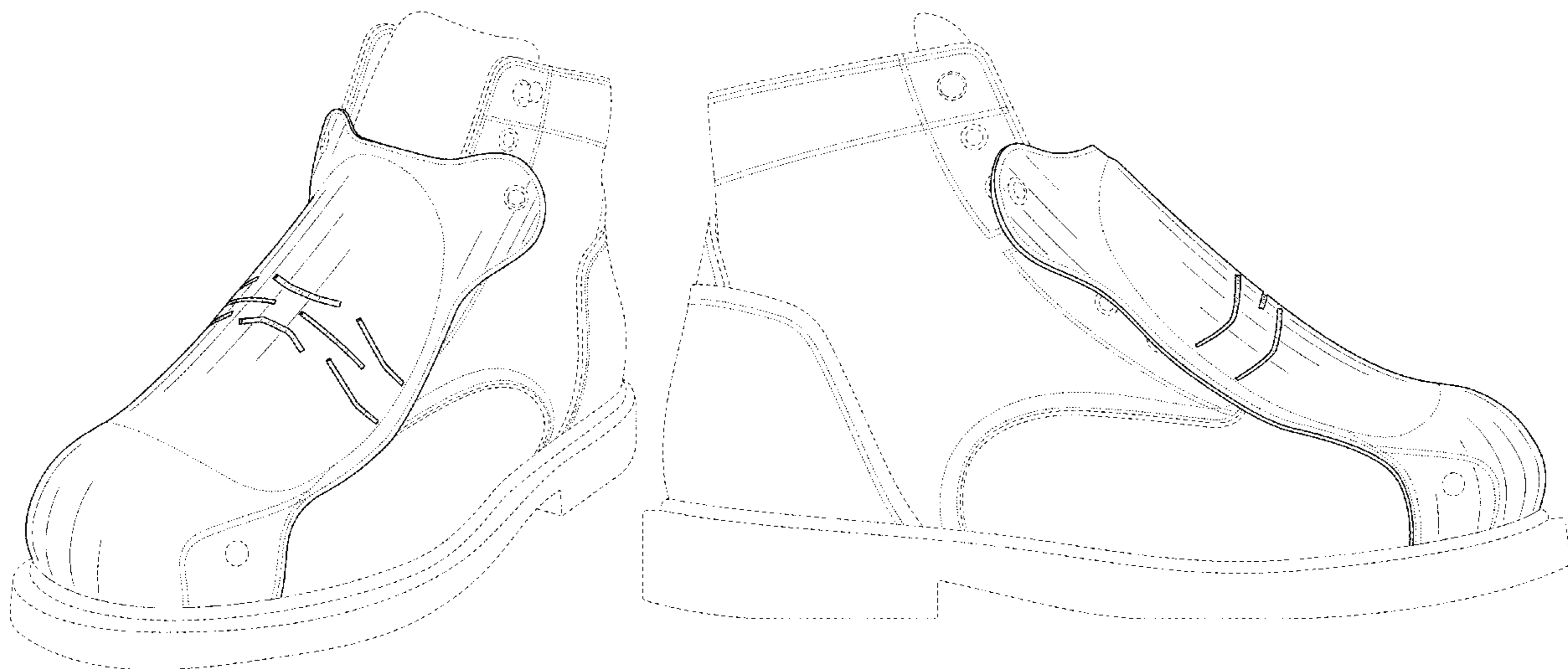
FIG. 5 is a right view of a shoe thereof;

FIG. 6 is a top view of a shoe thereof; and,

FIG. 7 is a bottom view of a shoe thereof.

The broken lines are included for illustrating environmental aspects only and form no part of the claimed design. The dotted lines, which denote a line of stitching, similarly form no part of the claimed design. The dash-dot lines are included to denote boundaries between the claimed design and unclaimed illustration of environmental aspects. The dash-dot lines form no part of the claimed design.

1 Claim, 6 Drawing Sheets



(56)

References Cited

U.S. PATENT DOCUMENTS

D438,972 S * 3/2001 Darby D2/943
 D446,000 S * 8/2001 Price D2/902
 D453,861 S 2/2002 Yake et al.
 6,389,715 B1 5/2002 Krajcir
 D464,475 S * 10/2002 Isackson D2/946
 6,631,569 B1 10/2003 Scharbius et al.
 D507,402 S * 7/2005 Laberge D2/972
 D555,291 S 11/2007 Danzo
 7,305,776 B2 12/2007 Hess
 7,328,526 B2 2/2008 Peterson
 D594,161 S 6/2009 Worden
 D608,007 S 1/2010 Arbesman et al.
 D614,853 S * 5/2010 Warren D2/975
 D622,057 S * 8/2010 Warren D2/975
 D625,502 S * 10/2010 Brambilla D2/969
 D638,995 S 5/2011 Hanlon
 D665,539 S 8/2012 Manalo et al.
 D681,831 S 5/2013 Samlaska
 D696,499 S 12/2013 Lehtinen
 8,635,789 B2 * 1/2014 Spiller A43B 23/26
 36/72 R
 8,661,712 B2 3/2014 Aveni et al.
 D714,530 S 10/2014 Scholler et al.
 D736,685 S 8/2015 Darwin
 D770,586 S 11/2016 Sopel et al.
 D783,845 S 4/2017 Peluso
 D793,073 S 8/2017 Hardman
 9,744,065 B2 8/2017 Walborn et al.
 9,788,609 B2 10/2017 James et al.
 D805,274 S 12/2017 Maxie

D808,029 S 1/2018 Jimenez et al.
 9,867,431 B2 1/2018 Harley
 D821,654 S 6/2018 Roby et al.
 D838,455 S * 1/2019 Strother D2/970
 10,219,582 B2 * 3/2019 Spiller A43B 23/026
 D858,049 S * 9/2019 Matsuo D2/944
 10,512,303 B2 * 12/2019 Ramsay A43B 3/24
 D876,018 S * 2/2020 Dulude D29/121.2
 2002/0104174 A1 8/2002 Bartlett et al.
 2008/0115387 A1 5/2008 Walworth et al.
 2013/0081308 A1 4/2013 Woods
 2014/0259773 A1 9/2014 Johnson
 2018/0042337 A1 * 2/2018 Davis A43B 7/32
 2019/0297988 A1 * 10/2019 Oden A43C 1/02
 2019/0350307 A1 11/2019 Bergeron
 2019/0387811 A1 12/2019 Gibson et al.
 2020/0121028 A1 * 4/2020 Dulude A43B 23/0235

OTHER PUBLICATIONS

Product, Reebok Beamer men's sneaker [online] [retrieved Mar. 21, 2019] Retrieved from the Internet: URL:<http://reebokwork.com/338/Reebok-Beamer-RB1067>, date not known, 4 pages.
 Timberland PRO6 Millworks A1VWT Composite Toe External Met Guard Work Boot (on-line), no date available. Retrieved from Internet Aug. 7, 2020, URL:thebootdepot.com/mens/timberland-pro-6-millwork-a1vwt-composite-toe-external-met-guard-work-boot/ (1page).
 Extended European Search Report for Application No. EP19204000. 4, dated Feb. 21, 2020, pp. 1-3.

* cited by examiner

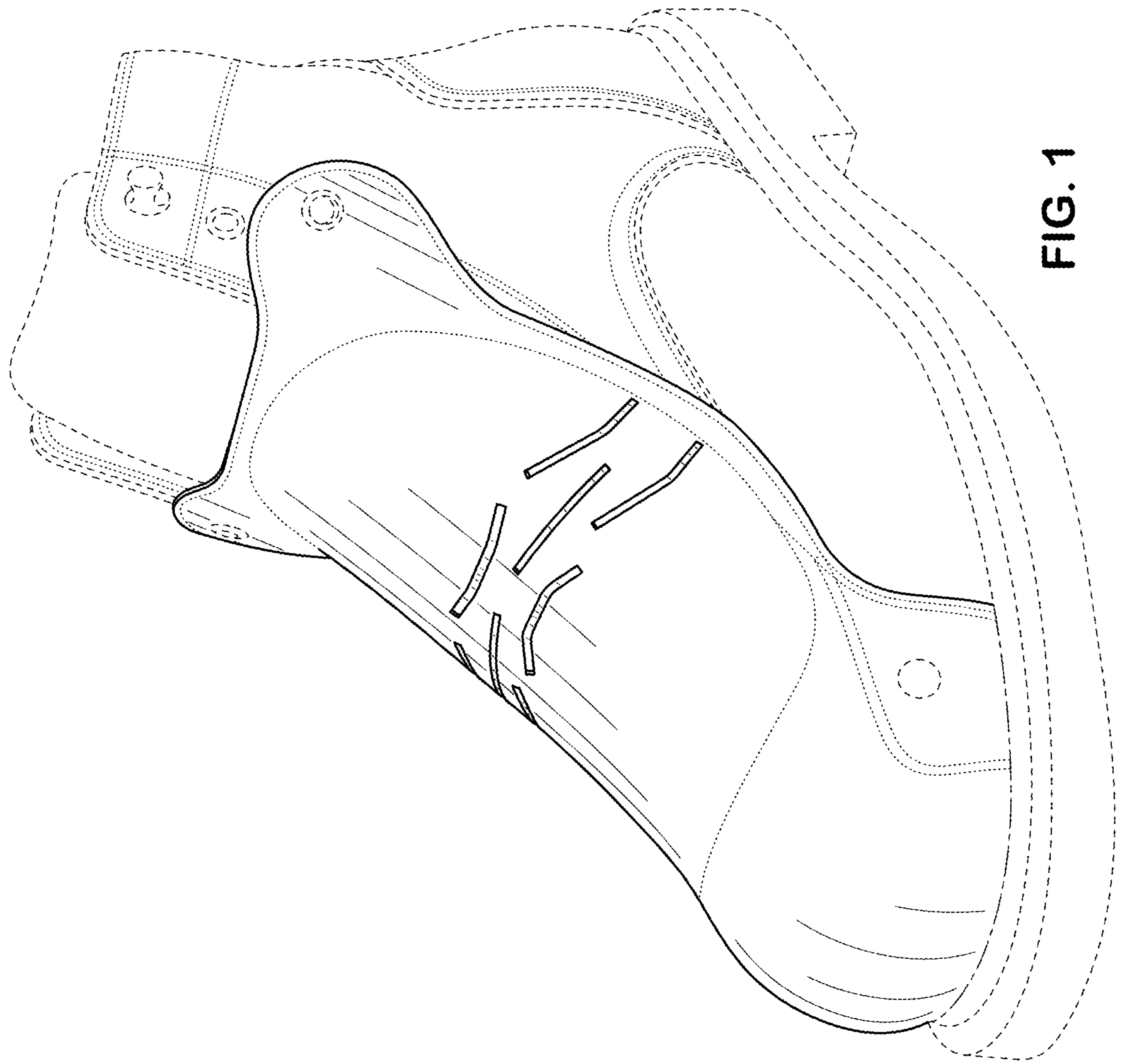


FIG. 1

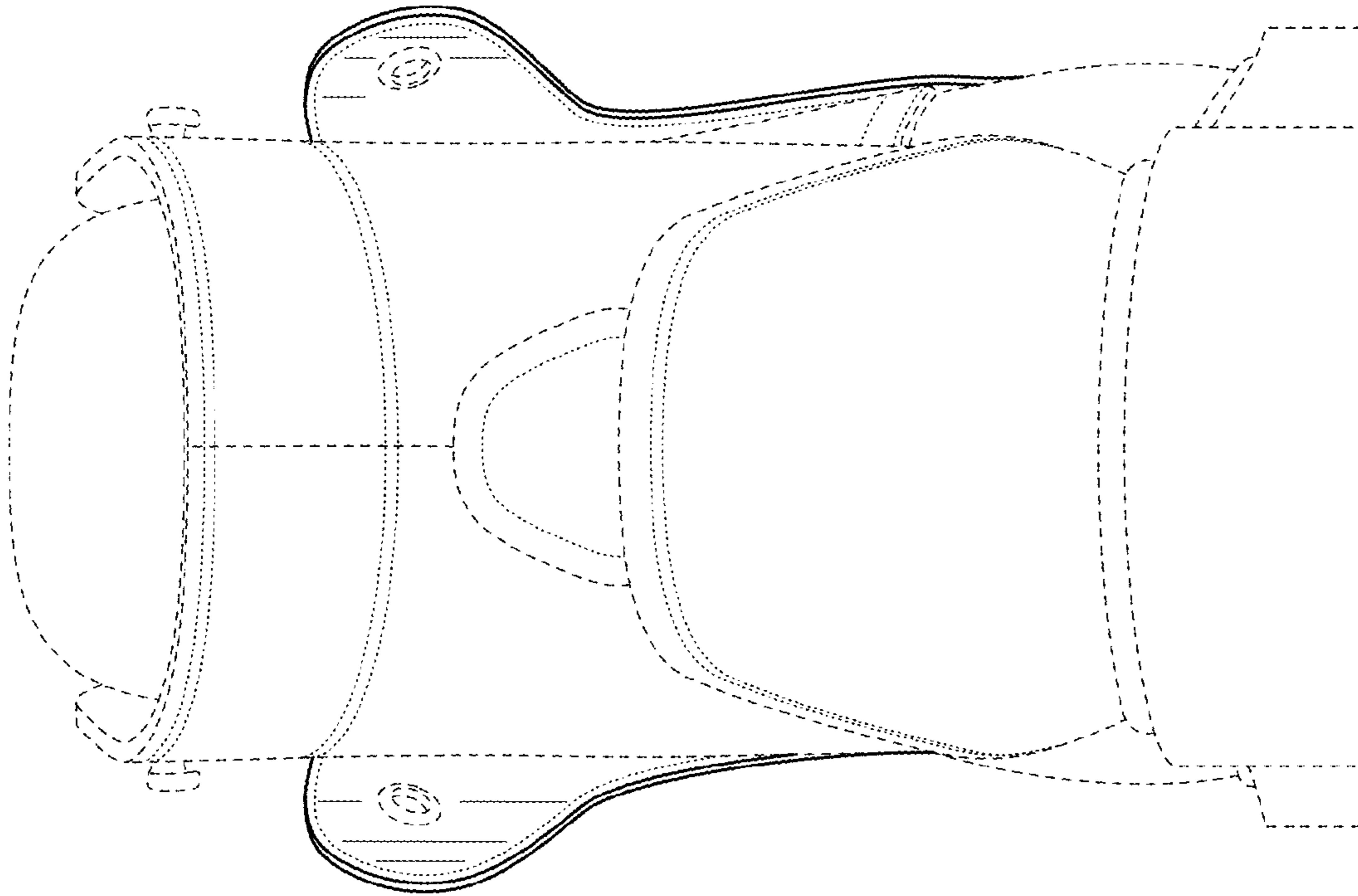


FIG. 3

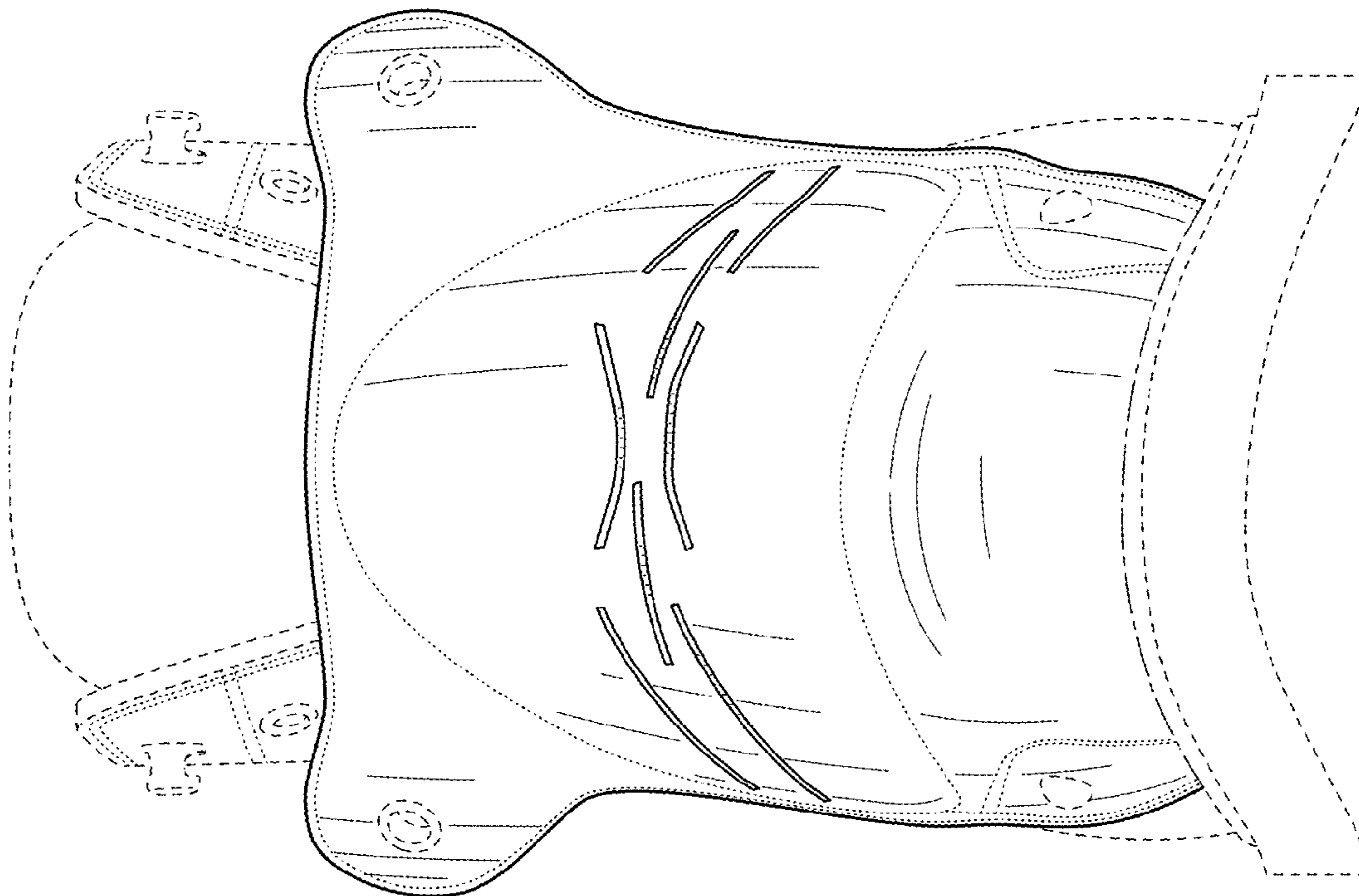


FIG. 2

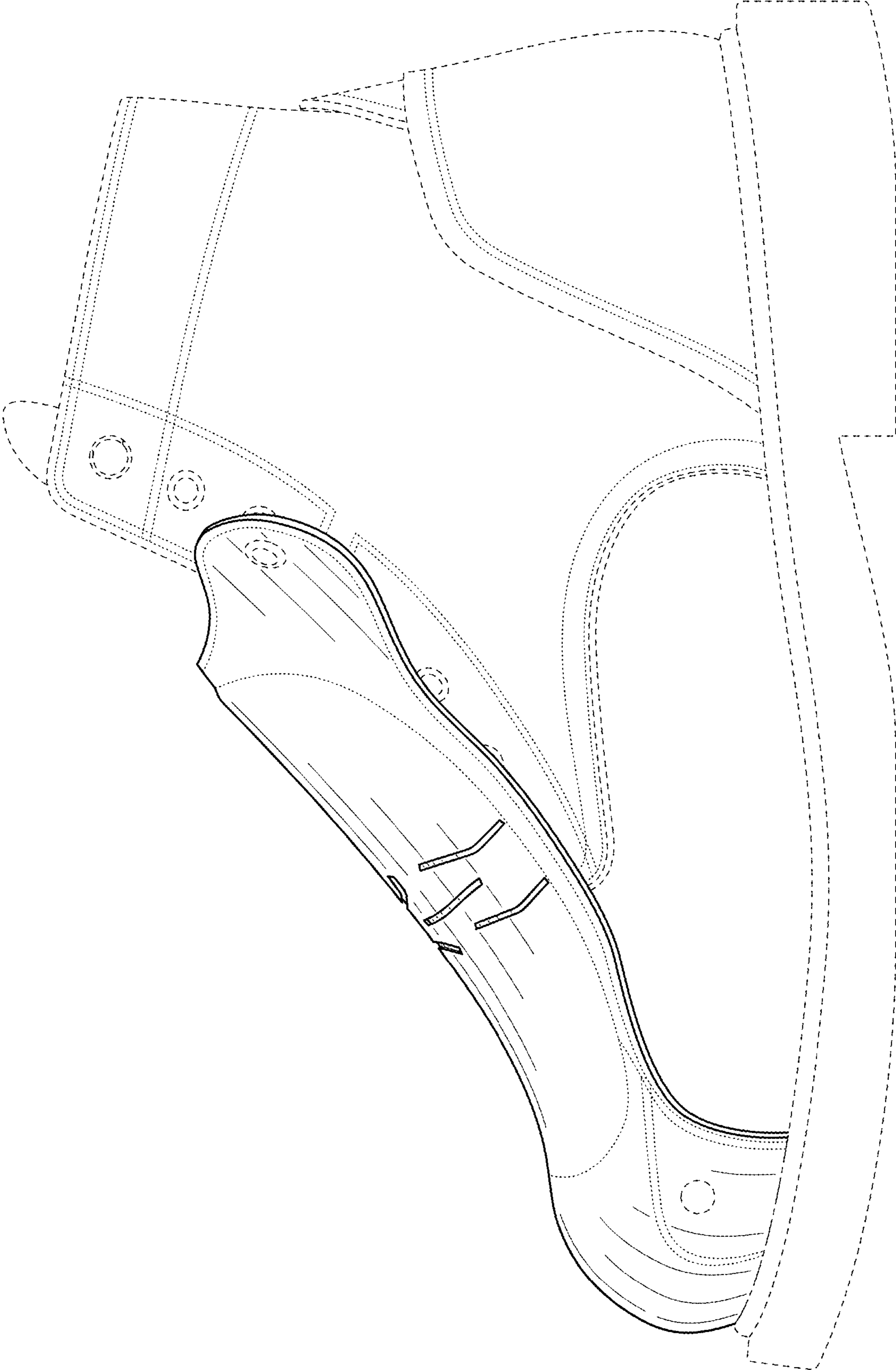


FIG. 4

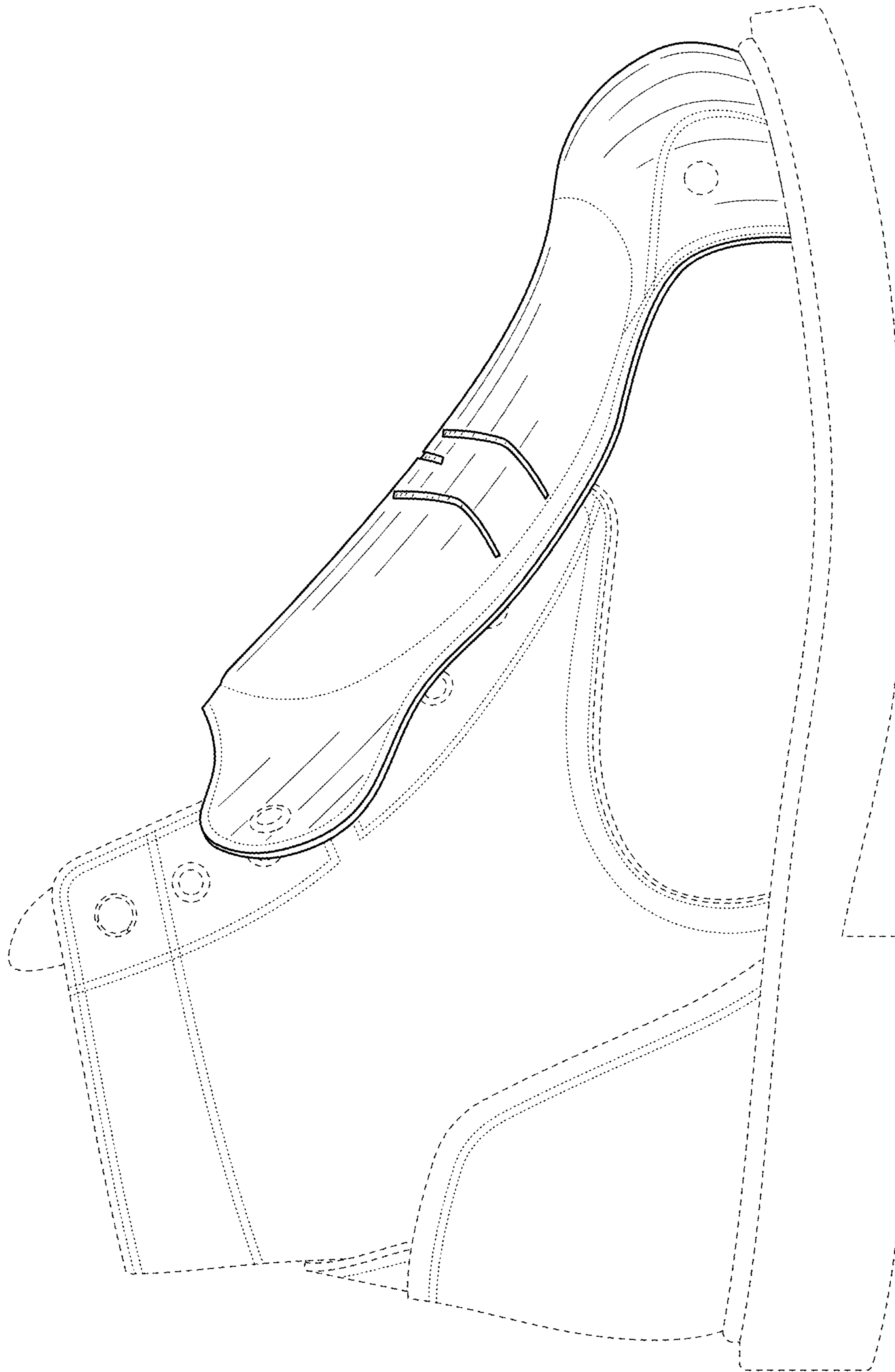


FIG. 5

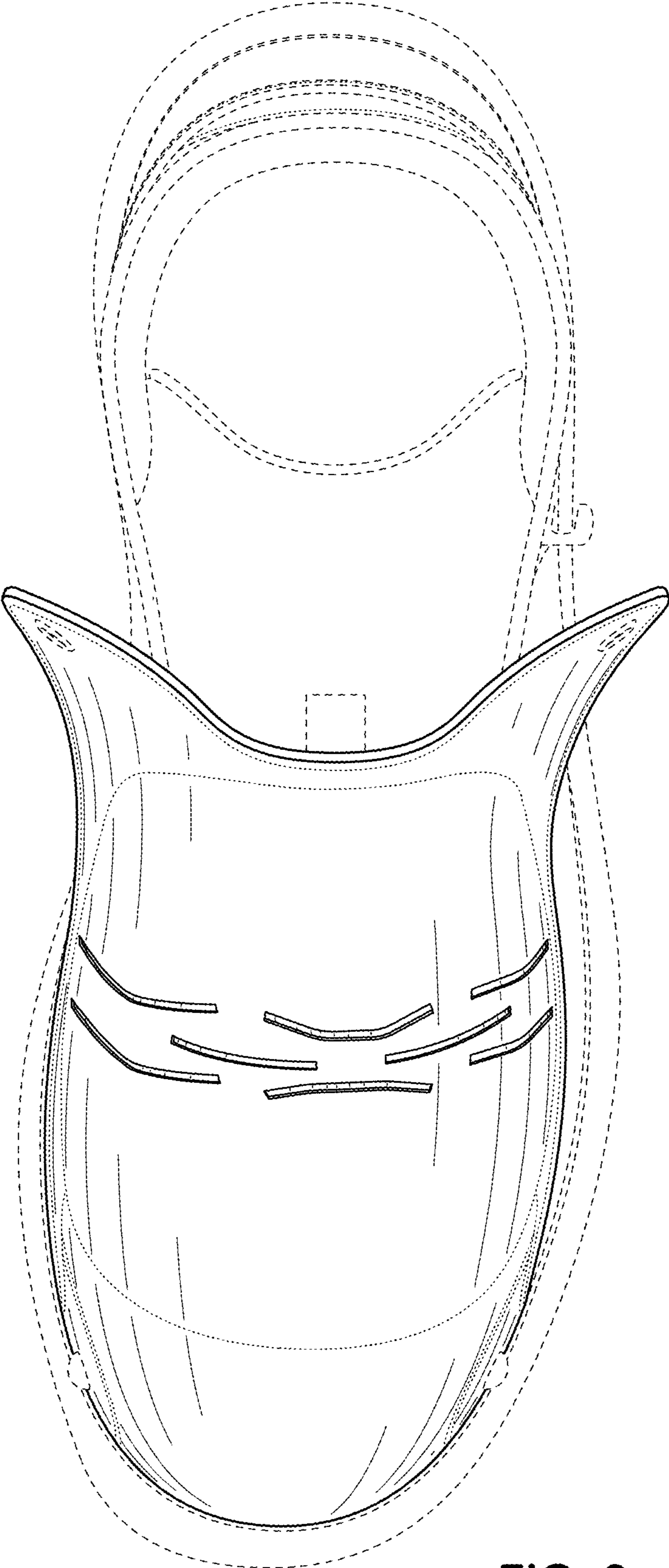


FIG. 6

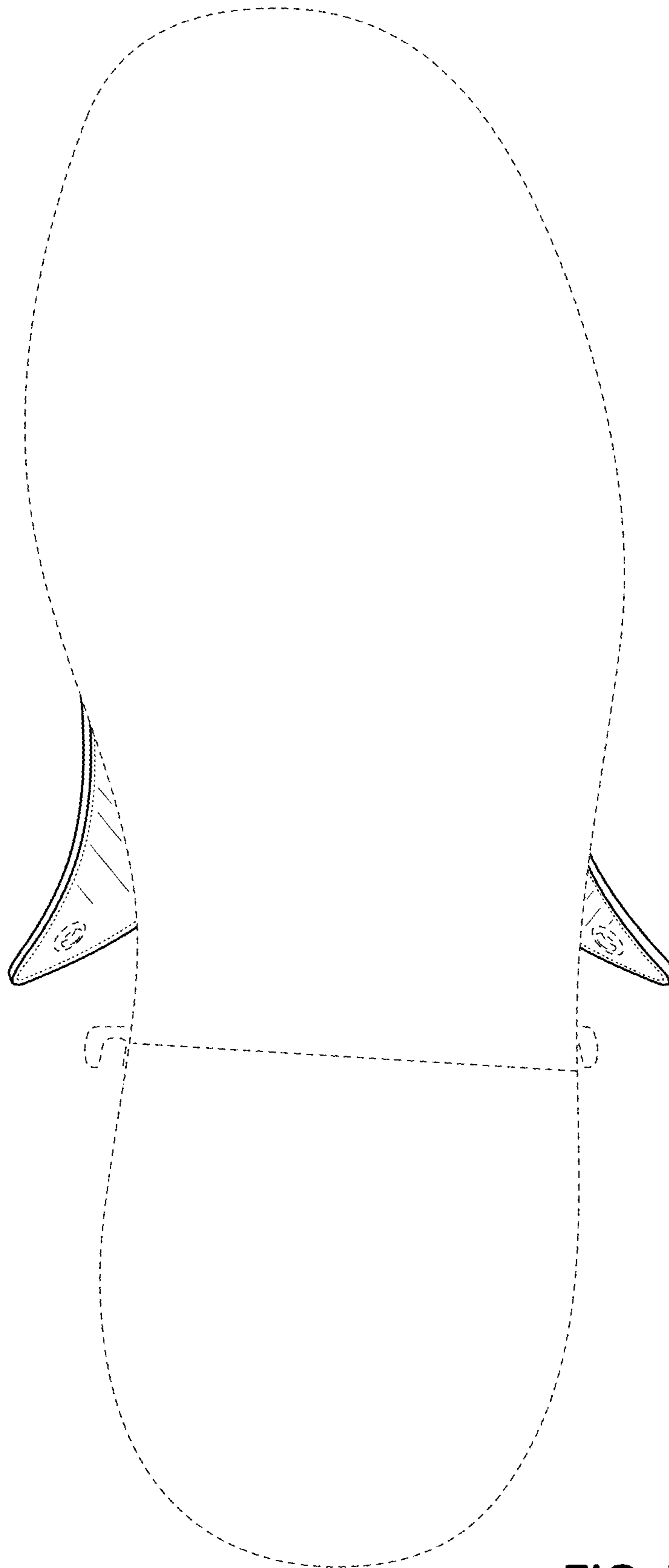


FIG. 7