



US00D919937S

(12) **United States Design Patent**
Gray et al.

(10) **Patent No.:** **US D919,937 S**

(45) **Date of Patent:** **** May 25, 2021**

(54) **HOOD**

(71) Applicant: **HUUUD APPAREL COMPANY,**
Montreal (CA)

(72) Inventors: **Paul Gray,** Montreal (CA); **Lina**
Maggio, Montreal (CA)

(73) Assignee: **HUUUD APPAREL COMPANY,**
INC., Mont-Royal (CA)

(**) Term: **15 Years**

(21) Appl. No.: **29/625,939**

(22) Filed: **Nov. 14, 2017**

(51) **LOC (13) Cl.** **02-03**

(52) **U.S. Cl.**
USPC **D2/880**

(58) **Field of Classification Search**
USPC D2/865, 866, 867, 870, 874, 877, 878,
D2/880, 881, 728, 823, 824, 825, 826,
D2/828, 831, 500, 501, 502, 508, 600;
D29/108

CPC A41D 23/00; A42B 1/00; A42B 1/006;
A42B 1/04; A42B 1/041; A42B 1/045;
A42B 1/046; A42B 1/048; A42B 7/00

See application file for complete search history.

(56) **References Cited**

U.S. PATENT DOCUMENTS

1,399,523 A * 12/1921 Sable A41D 23/00
2/203
2,083,616 A * 6/1937 Rosenberg A42B 1/045
2/203

(Continued)

FOREIGN PATENT DOCUMENTS

CA 178061 * 8/2019

OTHER PUBLICATIONS

Huuud Apparel Company, Facebook photo, [online]; [photo published to the Internet on Feb. 9, 2019]; [retrieved from the Internet

on Dec. 31, 2019]; URL: <https://www.facebook.com/huuudapparel/photos/a.327407154515974/363019744288048/?type=3>> (1 pg). (Year : 2019).*

Primary Examiner — Jasmine Mlinarcik

(74) *Attorney, Agent, or Firm* — Praxis

(57) **CLAIM**

The ornamental design for a hood, as shown and described.

DESCRIPTION

FIG. 1 is a perspective, front and side view of the hood in accordance with the first embodiment of the Design;

FIG. 2 is a front view of the hood of FIG. 1;

FIG. 3 is a rear view of the hood of FIG. 1;

FIG. 4 is a right side view of the hood of FIG. 1;

FIG. 5 is a left side view of the hood of FIG. 1;

FIG. 6 is a top plan view of the hood of FIG. 1;

FIG. 7 is a bottom view of the hood of FIG. 1;

FIG. 8 is perspective view of the hood of FIG. 1 shown in its environment;

FIG. 9 is a perspective, front and side view of the hood in accordance with the second embodiment of the Design;

FIG. 10 is a front view of the hood of FIG. 9;

FIG. 11 is a rear view of the hood of FIG. 9;

FIG. 12 is a right side view of the hood of FIG. 9;

FIG. 13 is a left side view of the hood of FIG. 9;

FIG. 14 is a top plan view of the hood of FIG. 9;

FIG. 15 is a bottom view of the hood of FIG. 9;

FIG. 16 is perspective view of the hood of FIG. 9 shown in its environment;

FIG. 17 is a perspective, front and side view of the hood in accordance with the third embodiment of the Design;

FIG. 18 is a front view of the hood of FIG. 17;

FIG. 19 is a rear view of the hood of FIG. 17;

FIG. 20 is a right side view of the hood of FIG. 17;

FIG. 21 is a left side view of the hood of FIG. 17;

FIG. 22 is a top plan view of the hood of FIG. 17;

FIG. 23 is a bottom view of the hood of FIG. 17;

FIG. 24 is perspective view of the hood of FIG. 17 shown in its environment;

(Continued)

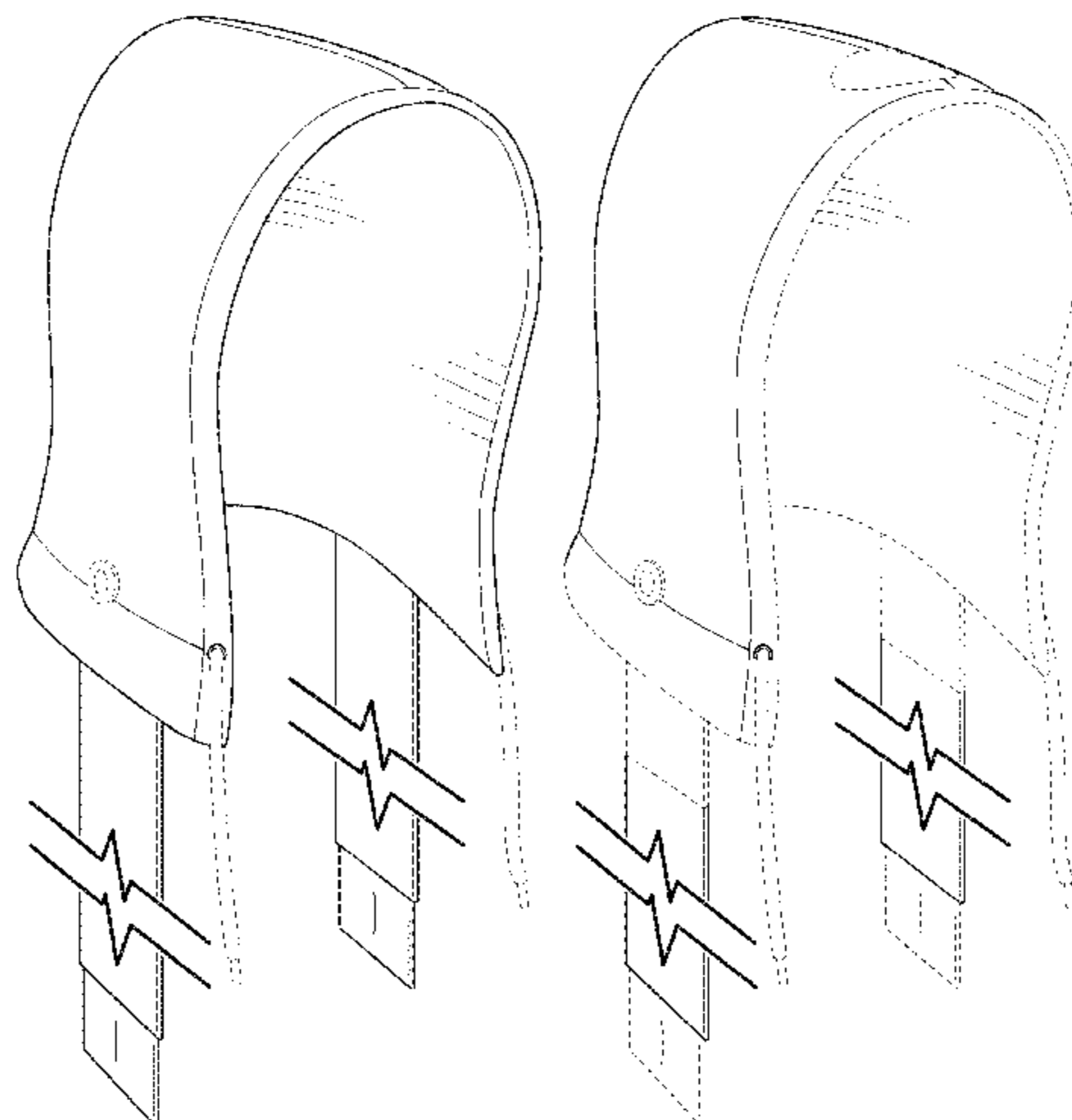


FIG. 25 is a perspective, front and side view of the hood in accordance with the fourth embodiment of the Design; FIG. 26 is a front view of the hood of FIG. 25; FIG. 27 is a rear view of the hood of FIG. 25; FIG. 28 is a right side view of the hood of FIG. 25; FIG. 29 is a left side view of the hood of FIG. 25; FIG. 30 is a top plan view of the hood of FIG. 25; FIG. 31 is a bottom view of the hood of FIG. 25; and, FIG. 32 is perspective view of the hood of FIG. 25 shown in its environment.

The broken line outline of the human figure and backpack in FIGS. 8, 16, 24, and 32 assist in illustrating the hood in a position of use as it may appear when attached to a backpack of a wear and forms no part of the claimed design. The buttons, the tightening strings, and the portions of the hood straps defined by broken lines depict portions of the hood that form no part of the claimed design. The front and bottom edges of the hood depicted in FIGS. 9-16 are defined by broken lines which form no part of the claimed design. The circle outlined by broken lines along the top of the hood portrayed in FIGS. 9-16 and FIGS. 25-32 defines portions of the hood that form no part of the claimed design. The hood is shown with symbolic breaks along the strap portions of

the hood. The appearance of any portion of the article between the symbolic break lines form no part of the claimed design.

1 Claim, 28 Drawing Sheets

(56)

References Cited

U.S. PATENT DOCUMENTS

D136,853	S	*	12/1943	Goodman	D2/881
3,060,449	A	*	10/1962	Lehnard	A41D 23/00 2/203
4,232,403	A	*	11/1980	Burtis	A42B 1/006 2/204
D472,367	S	*	4/2003	Maya	D2/880
D681,919	S	*	5/2013	Phillips	D2/825
D701,679	S	*	4/2014	Keppler	D2/881
D709,671	S	*	7/2014	Field	D2/831
D734,594	S	*	7/2015	Phillips	D2/880
D809,747	S	*	2/2018	Clyburn	D2/880

* cited by examiner

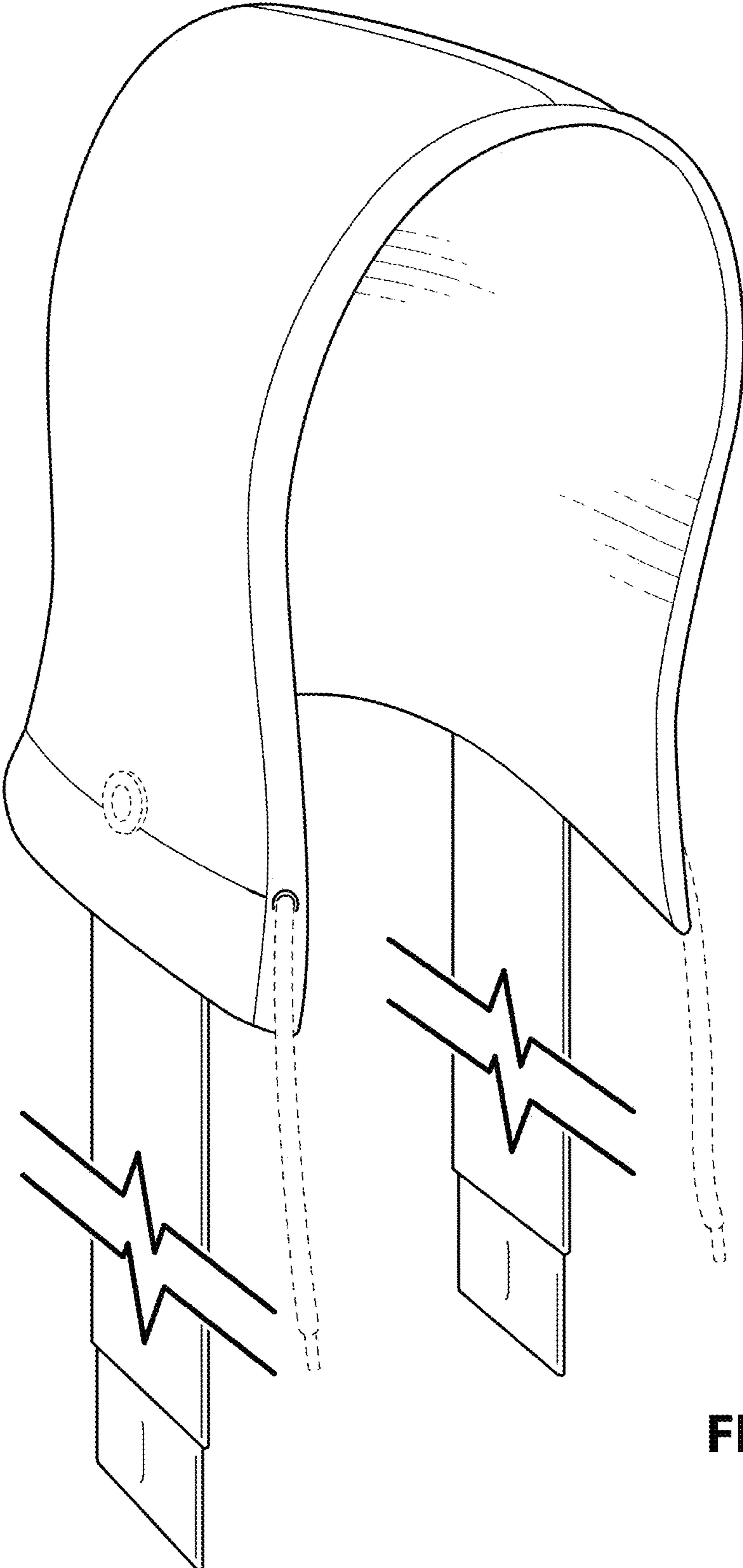


FIG. 1

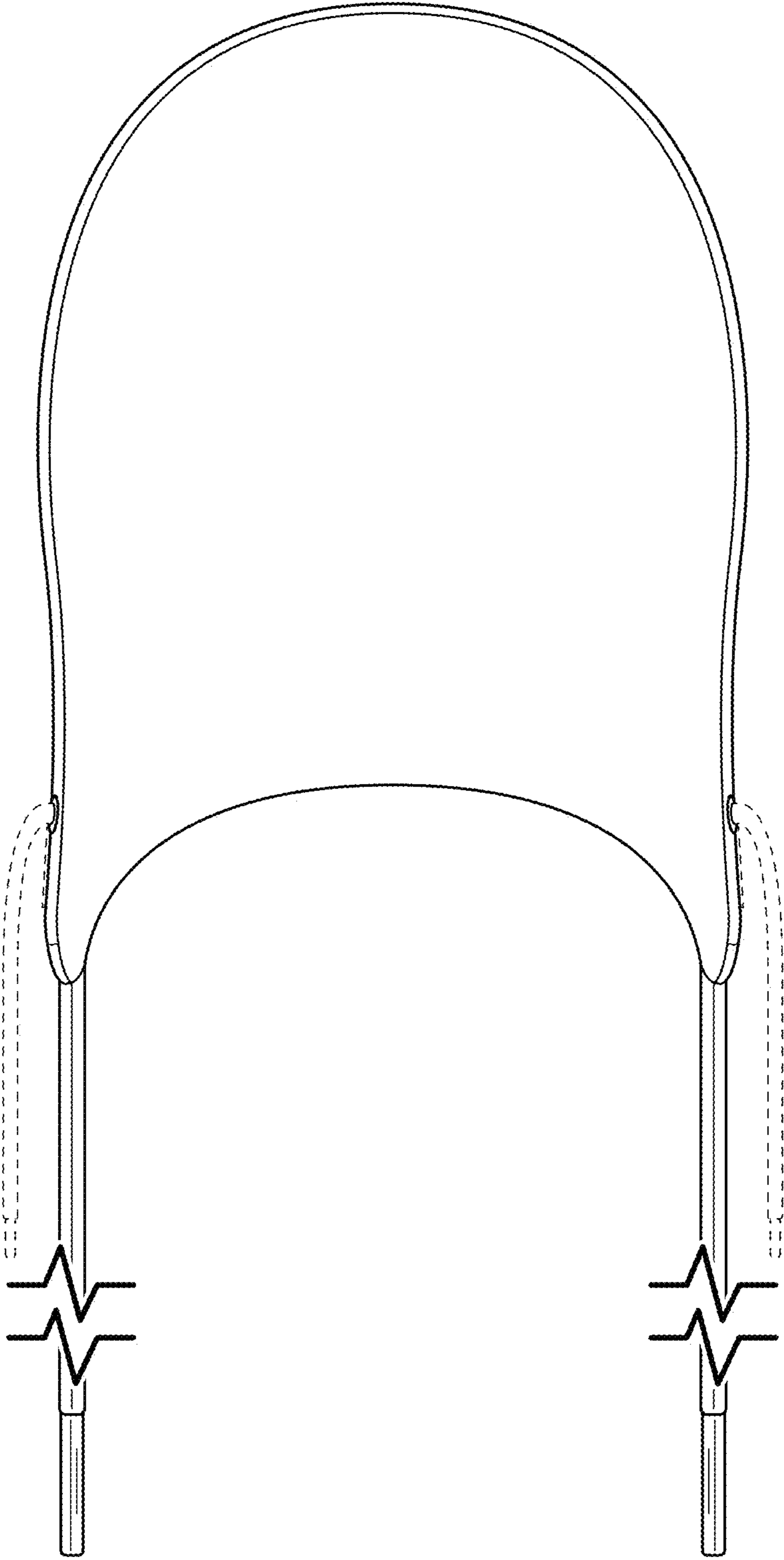


FIG. 2

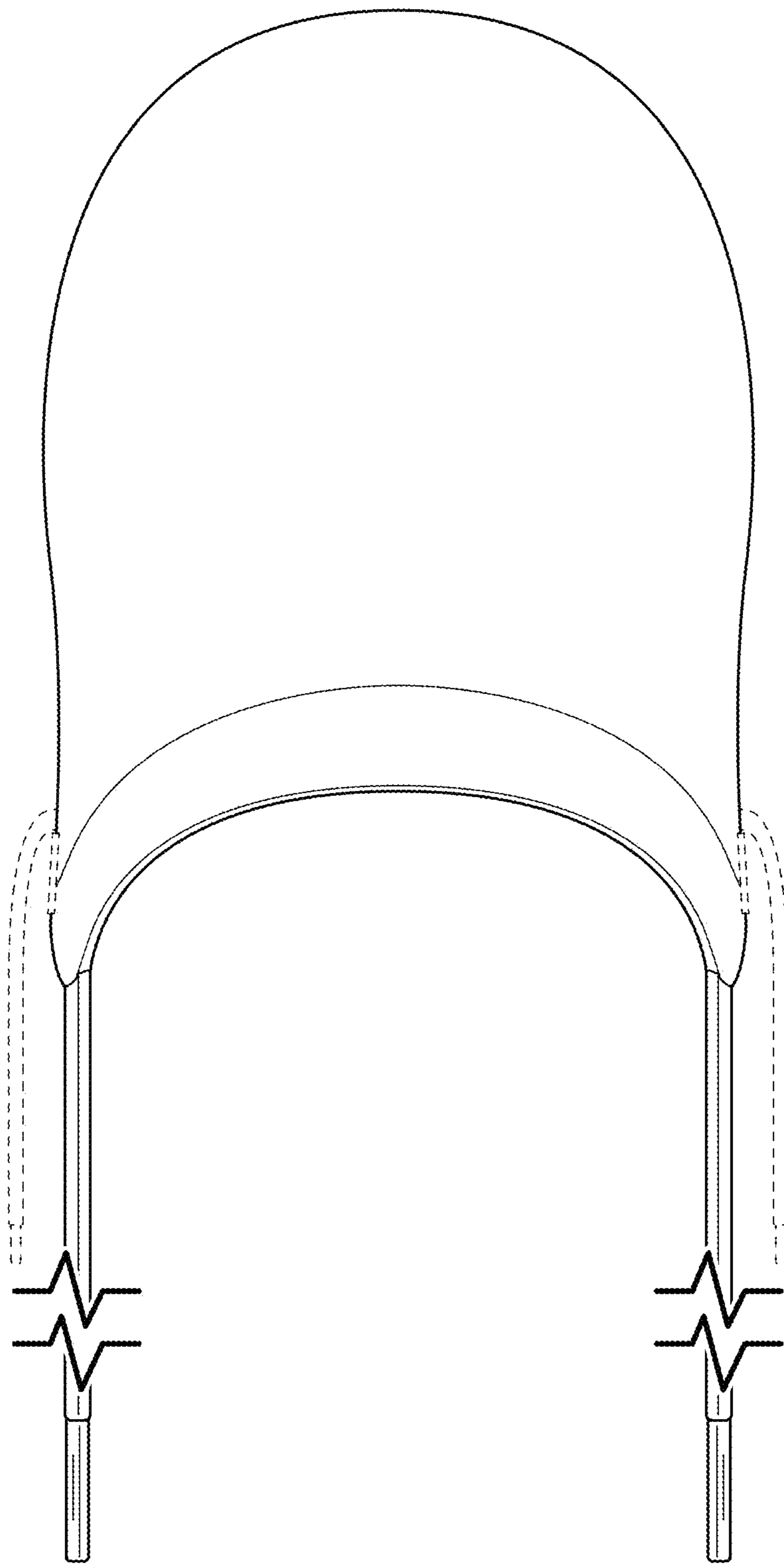


FIG. 3

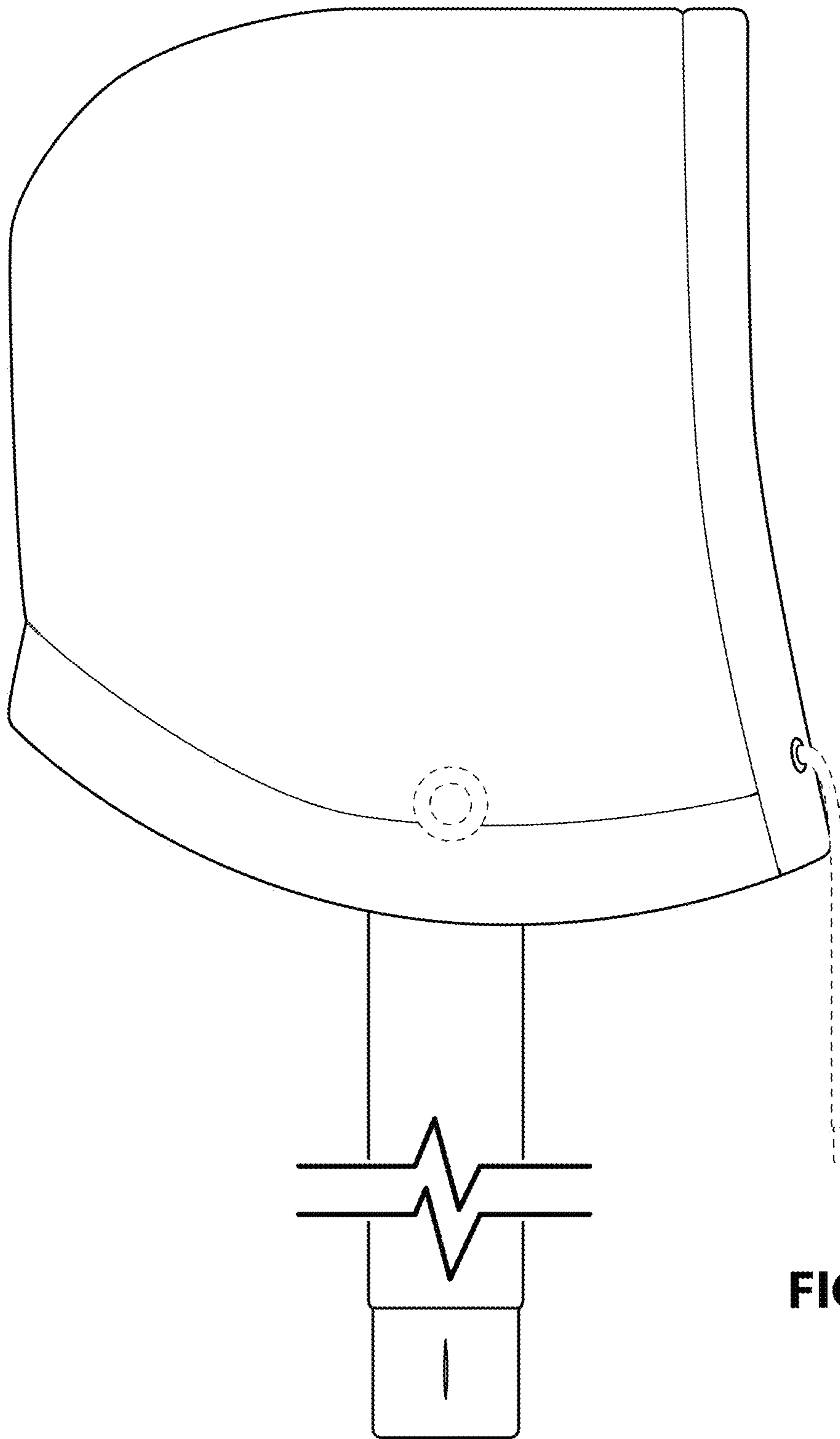


FIG. 4

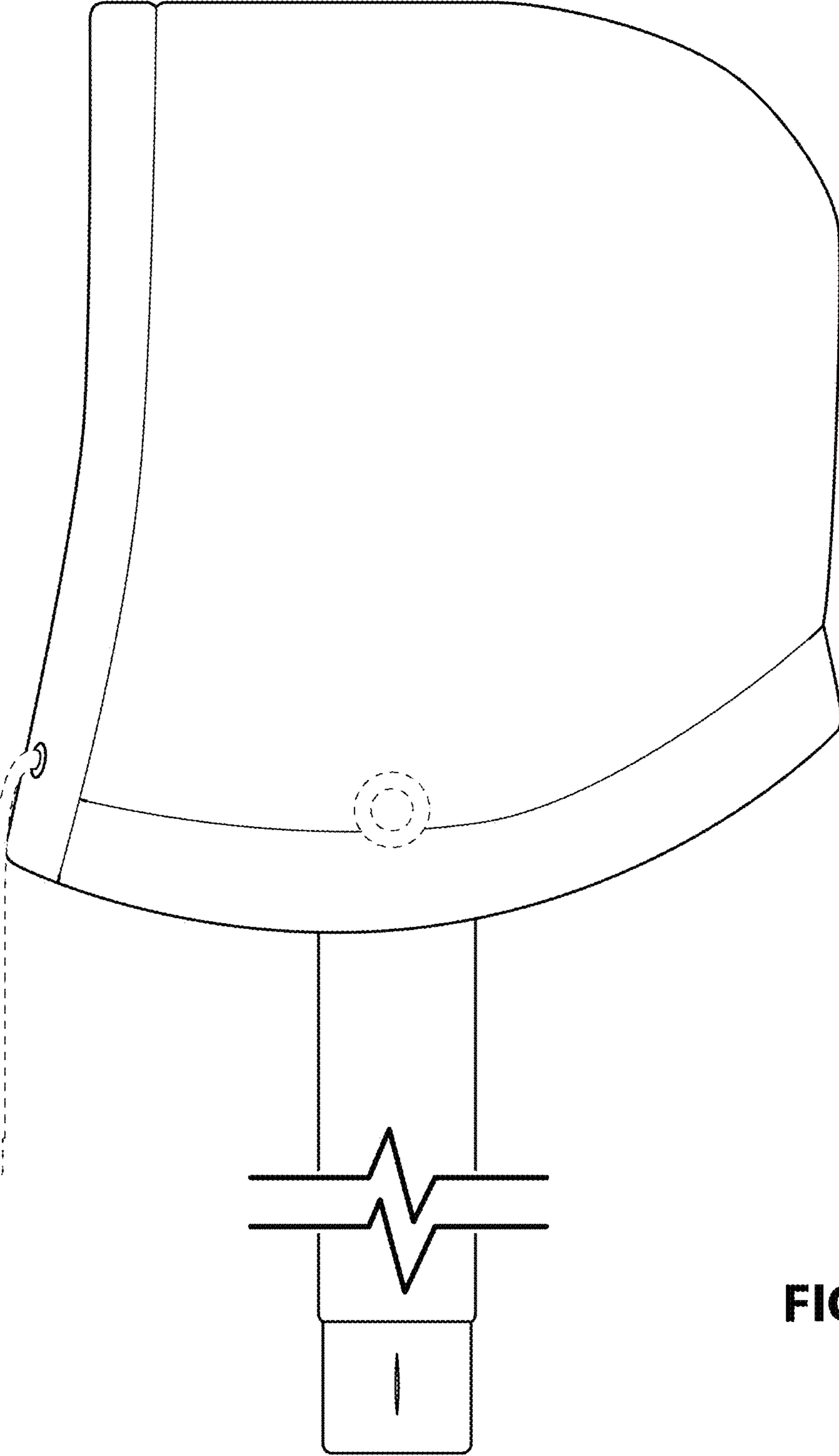


FIG. 5

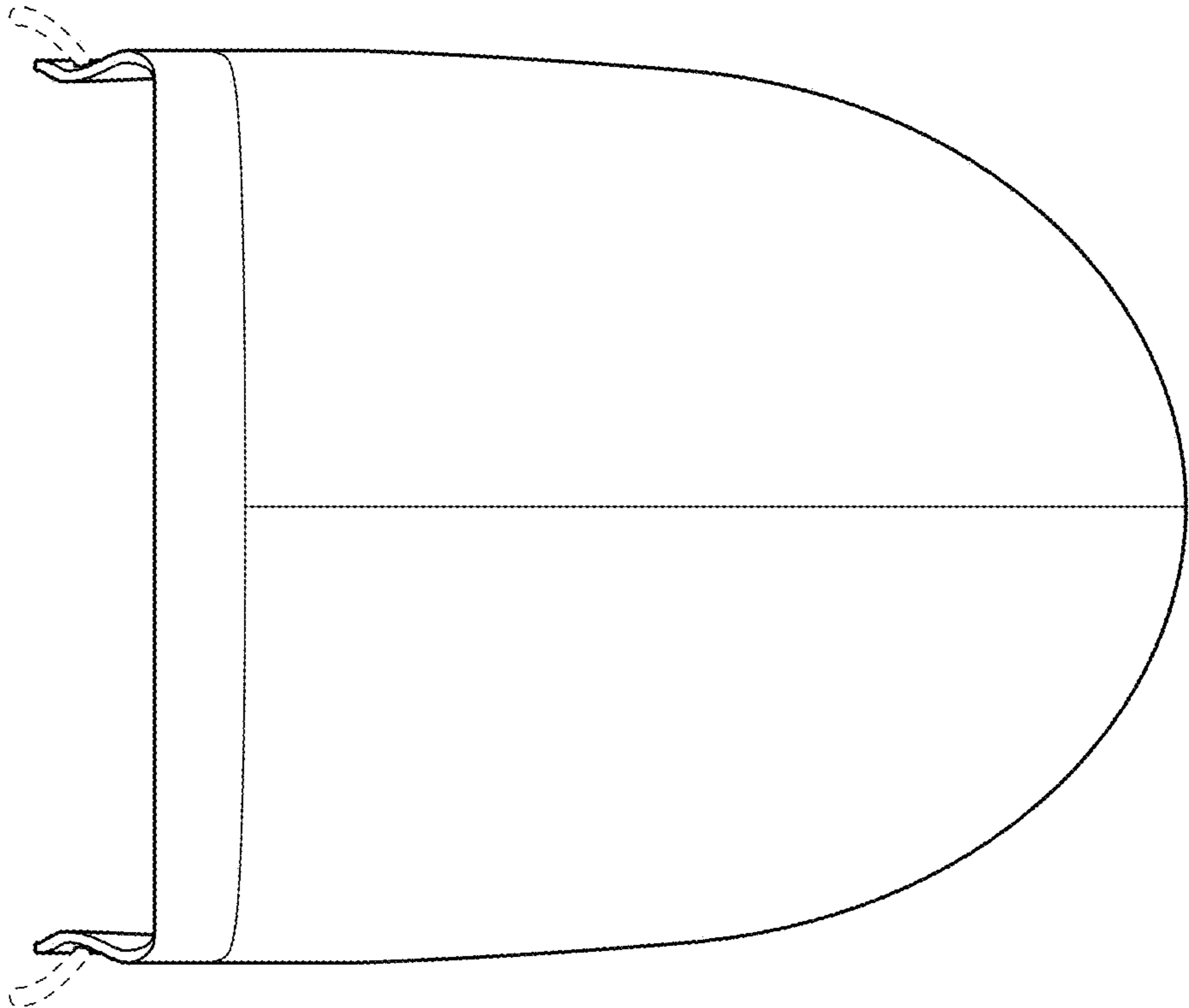


FIG. 6

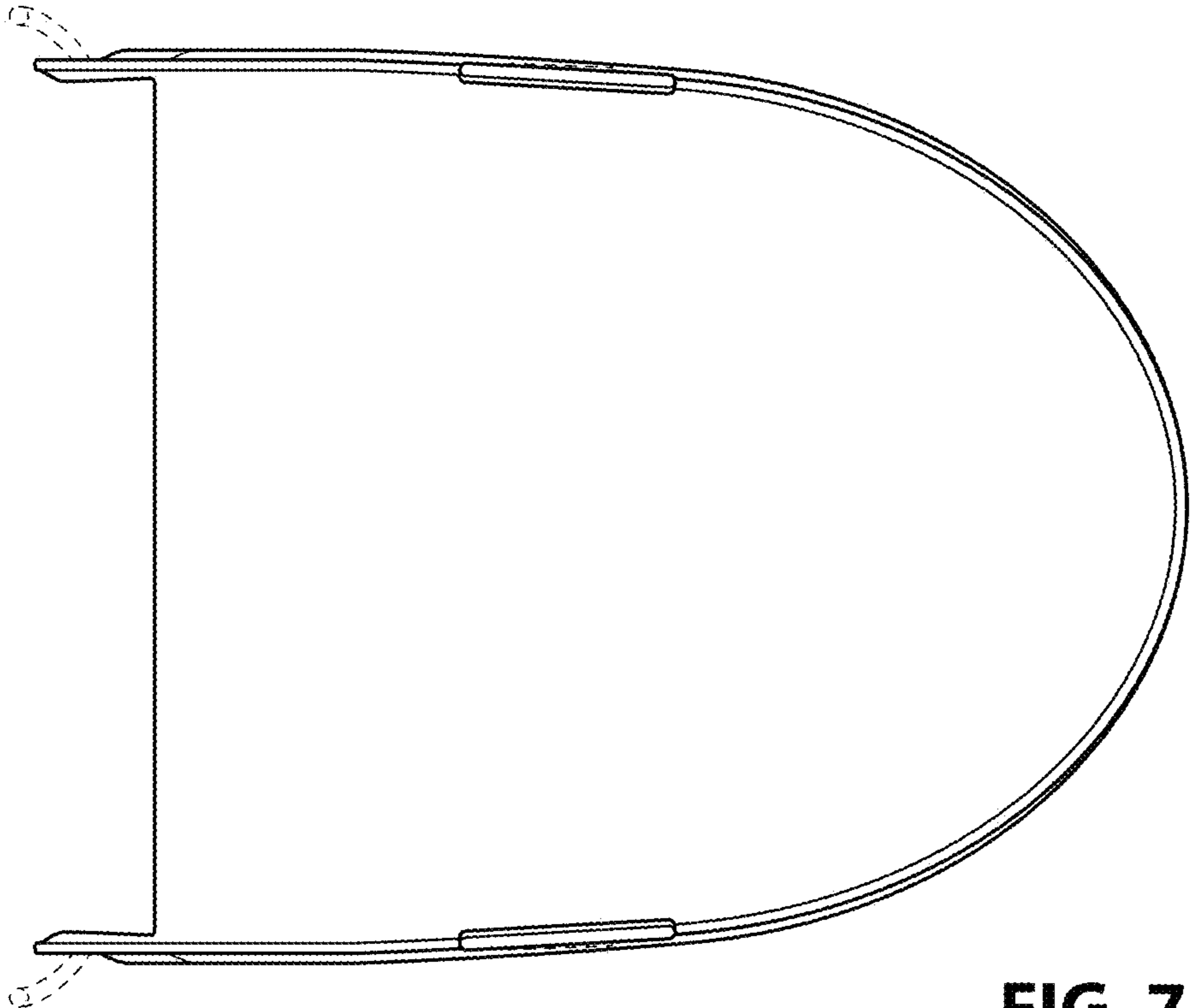


FIG. 7

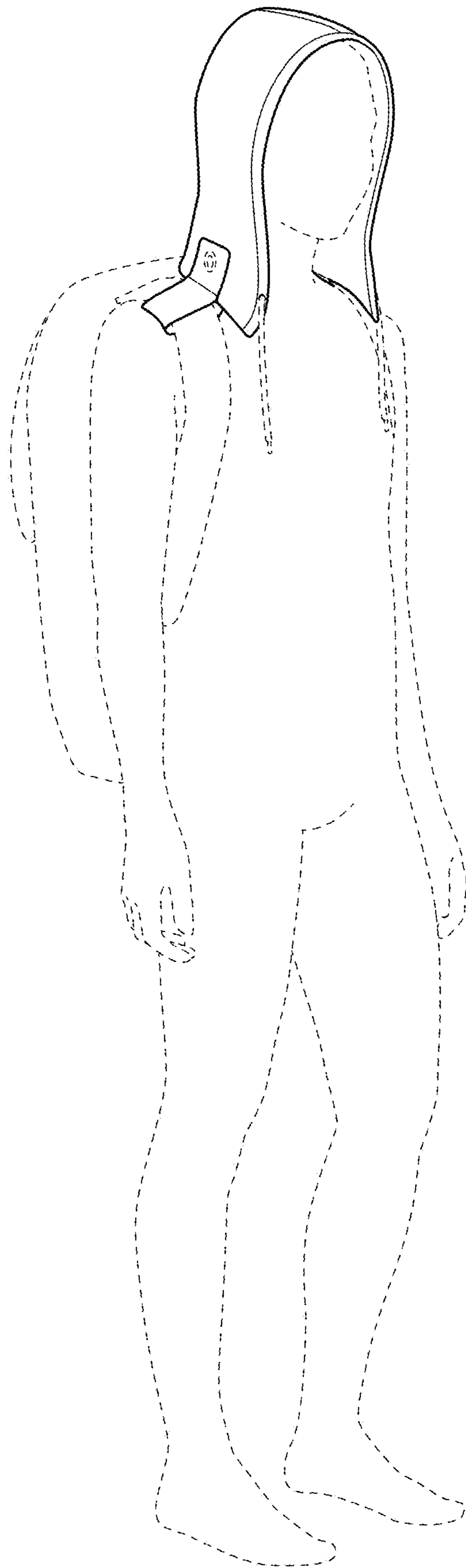


FIG. 8

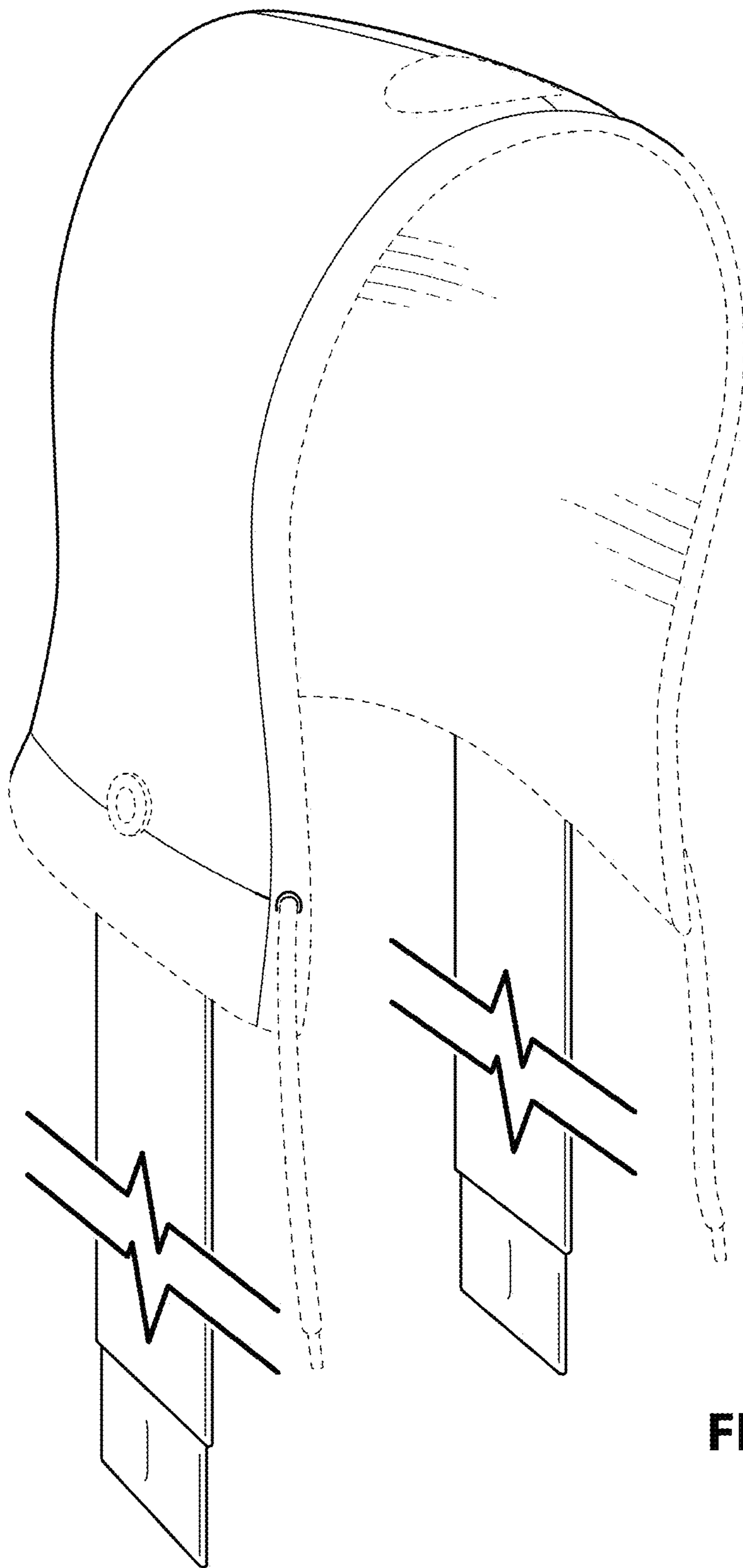


FIG. 9

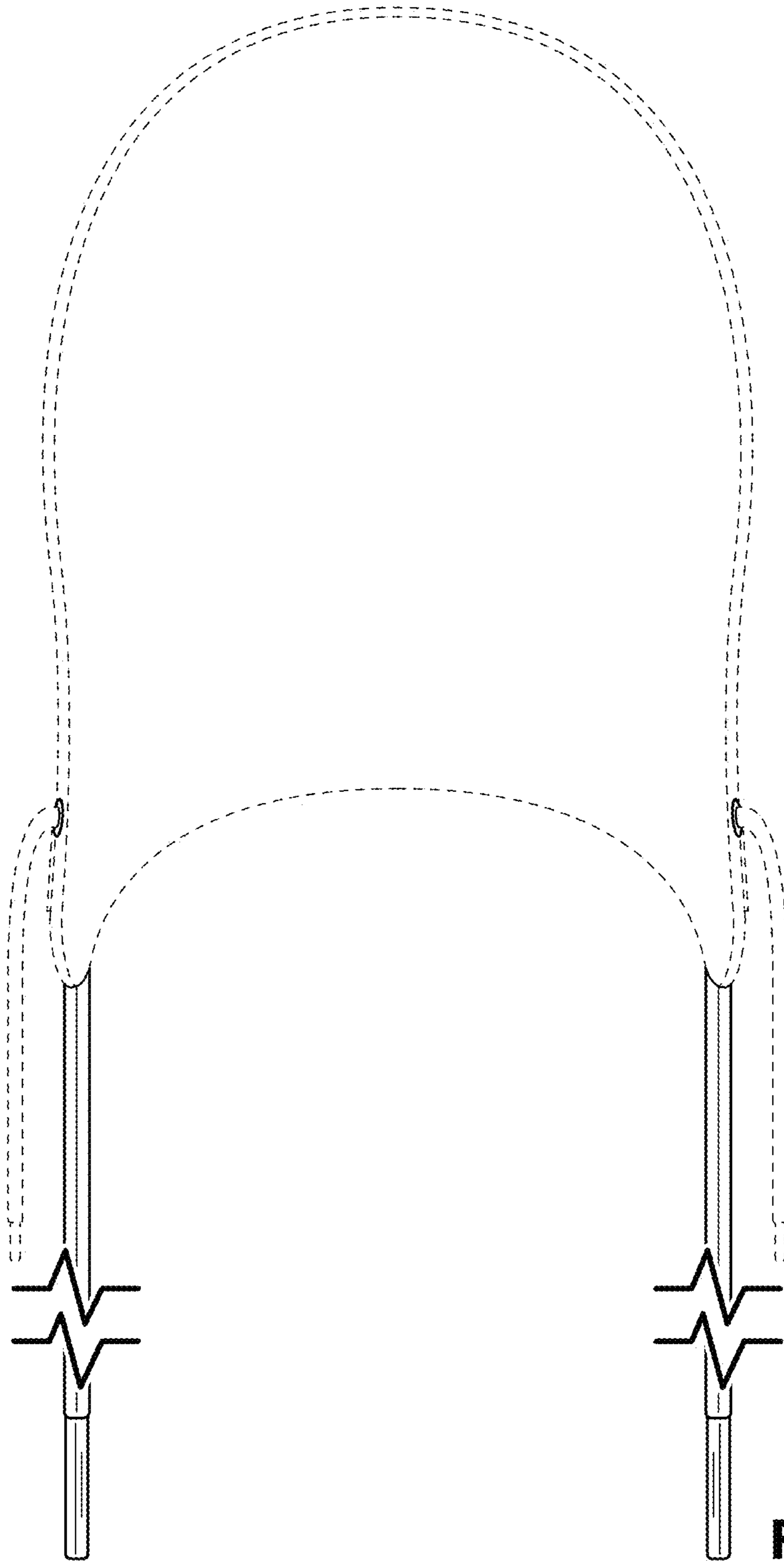


FIG. 10

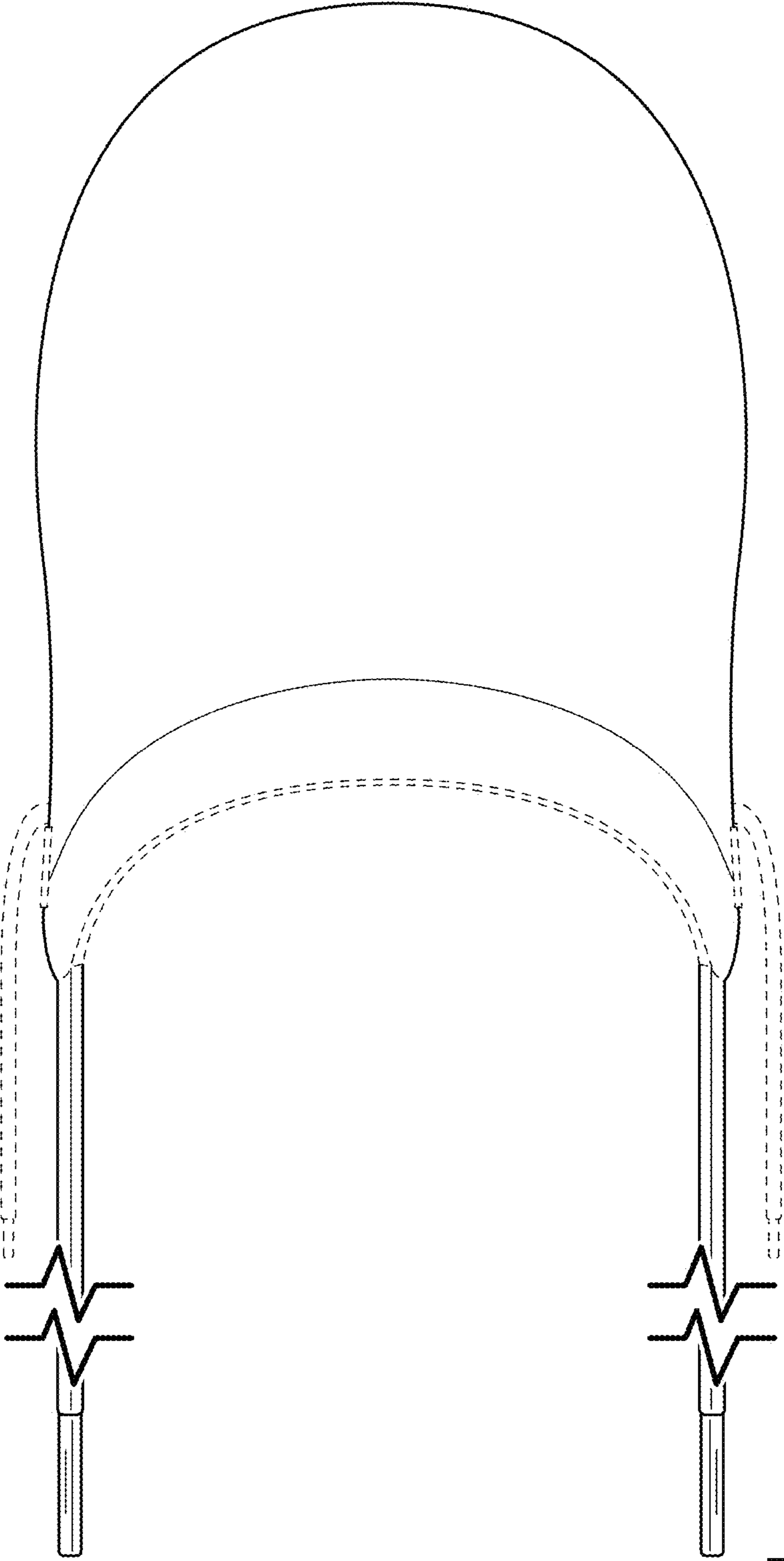


FIG. 11

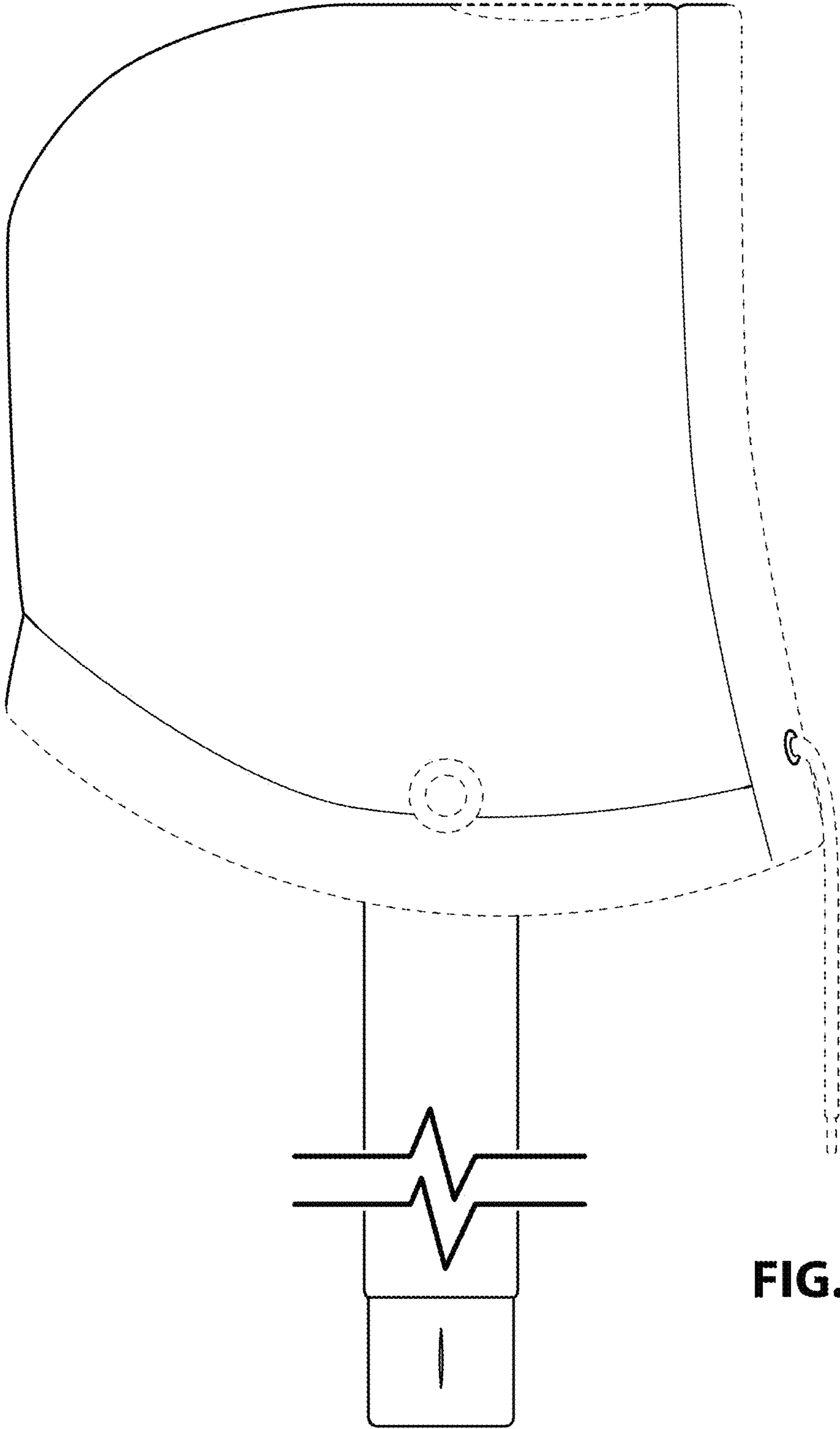


FIG. 12

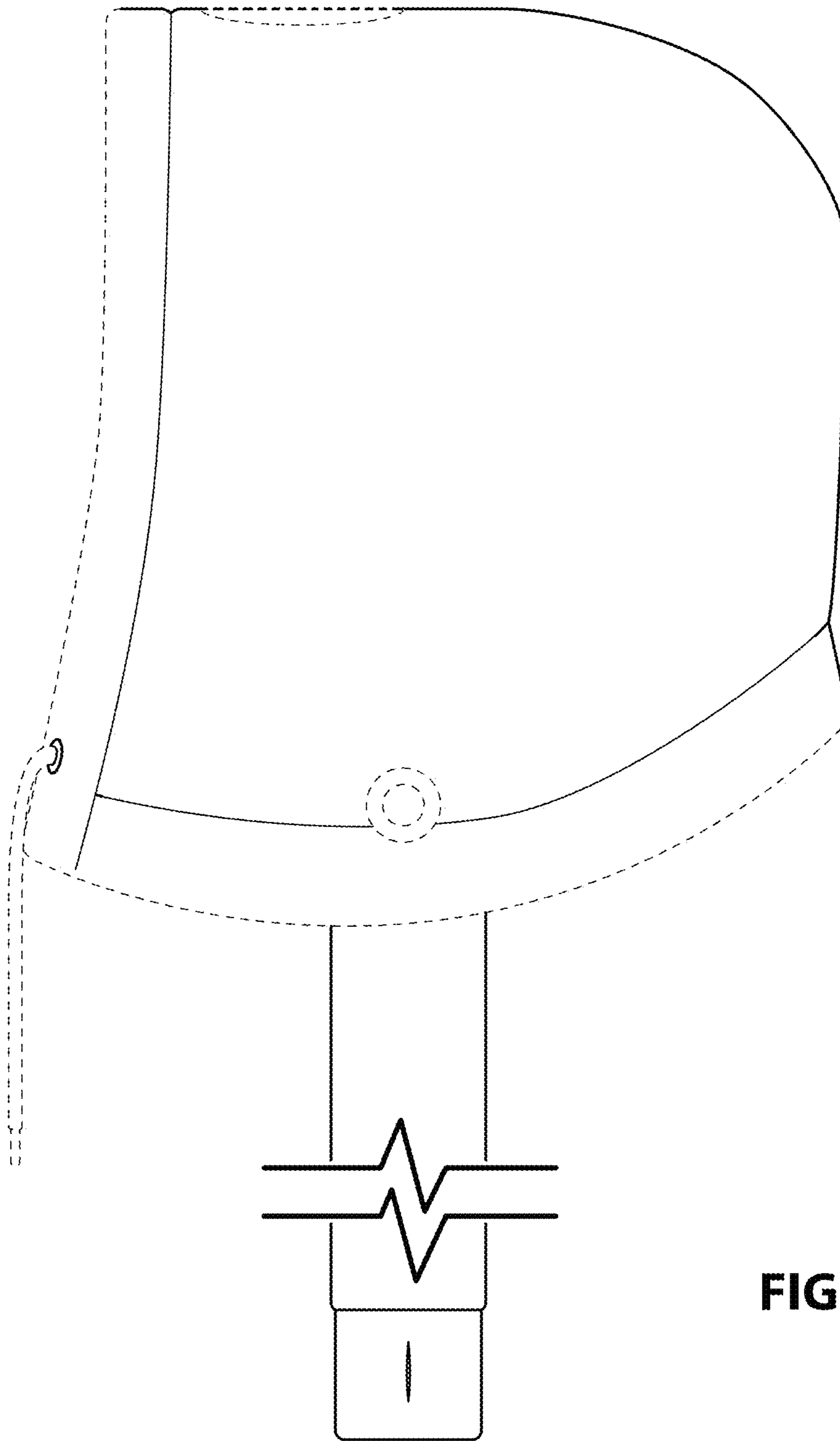


FIG. 13

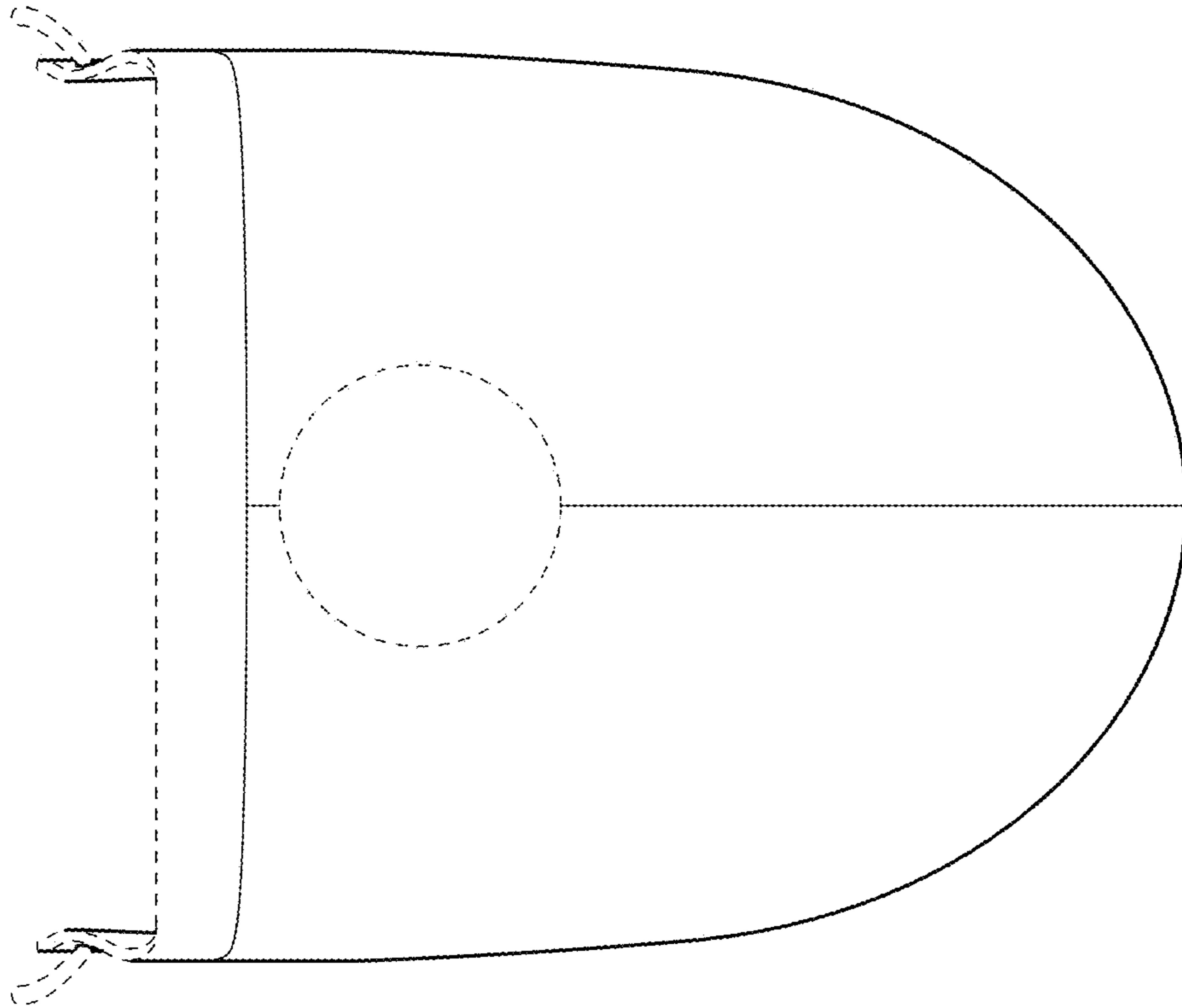


FIG. 14

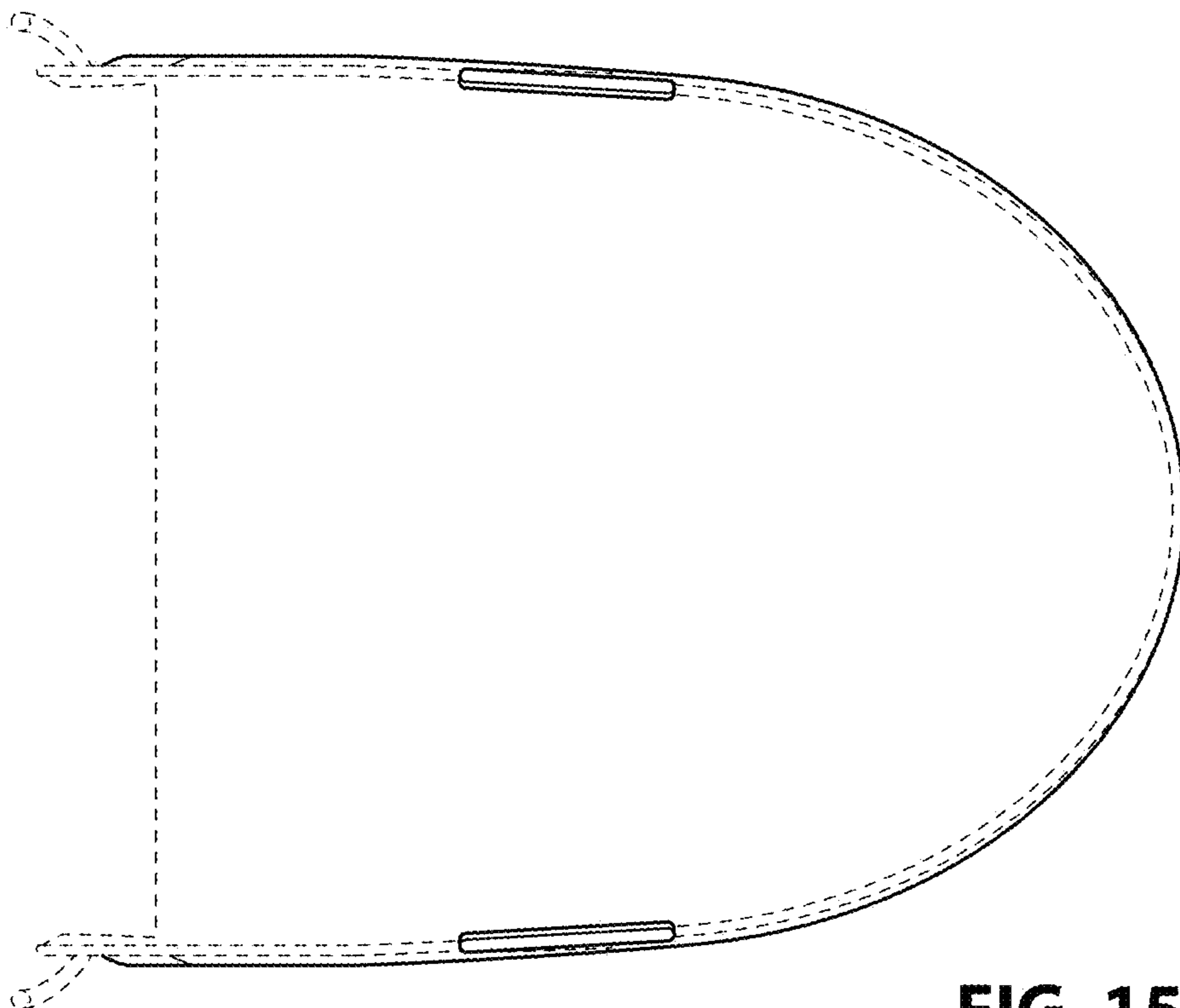


FIG. 15

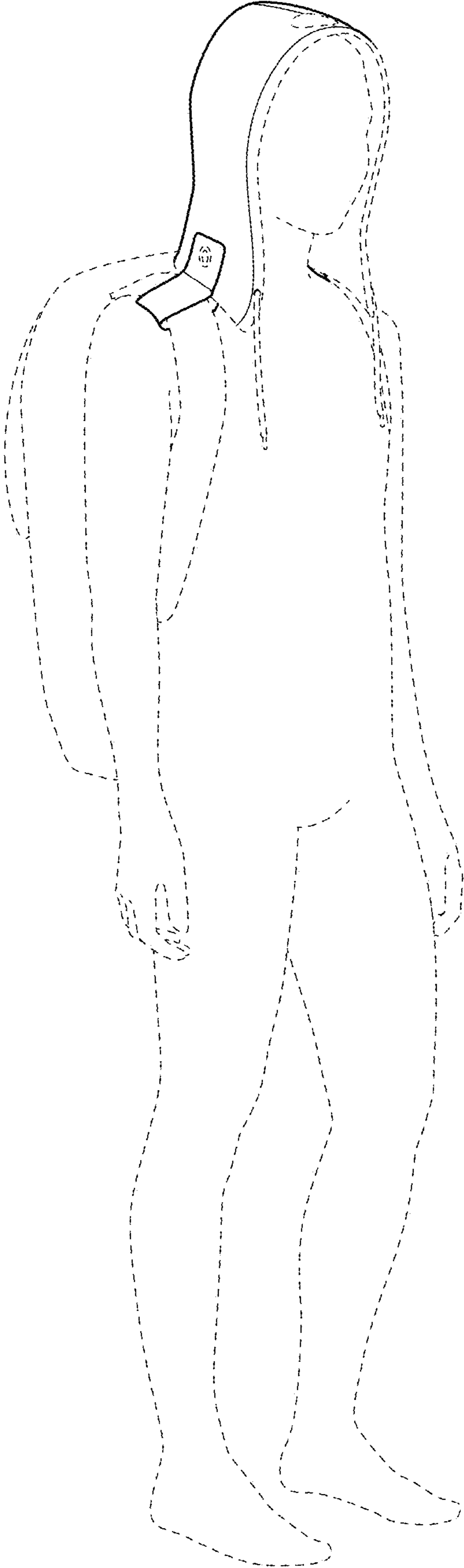


FIG. 16

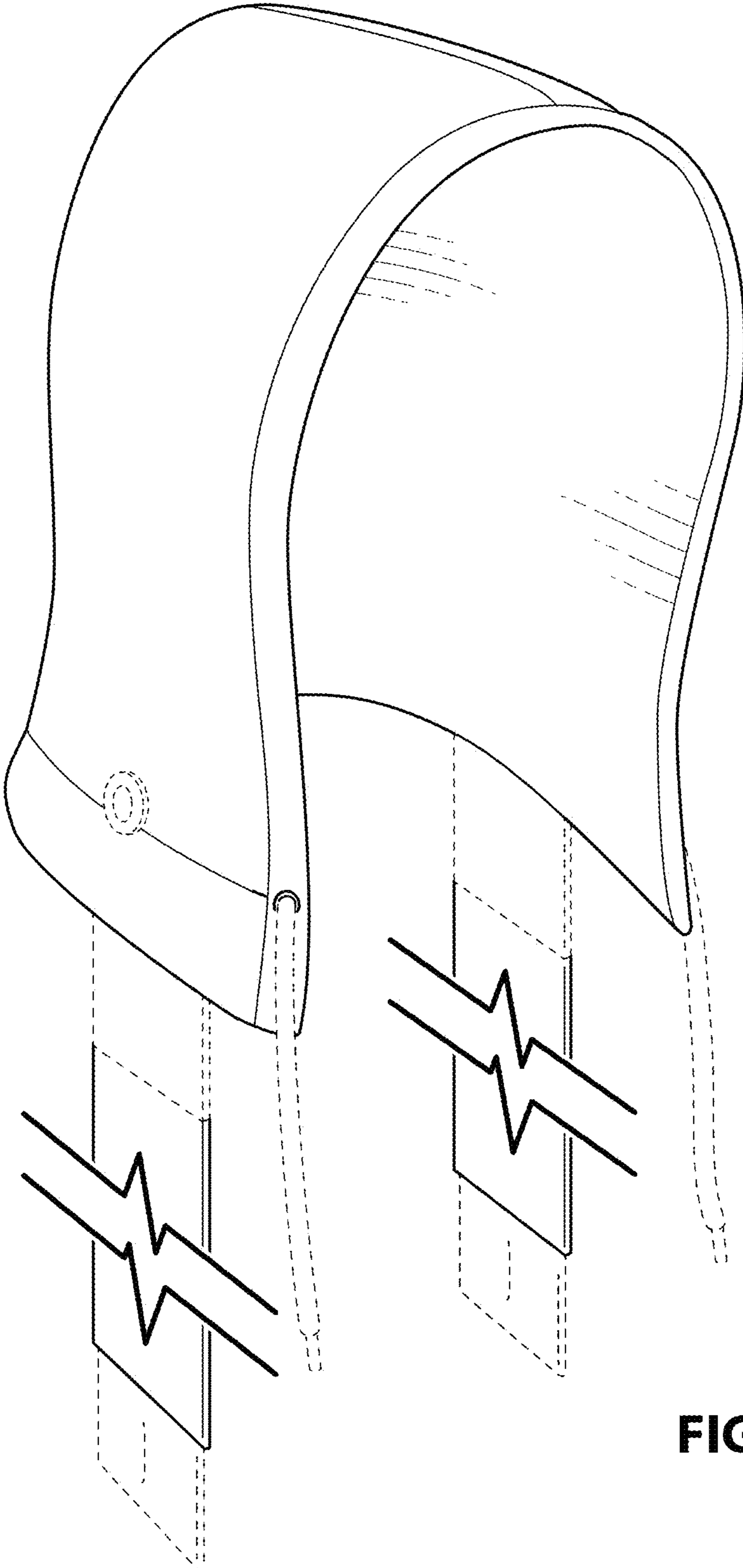


FIG. 17

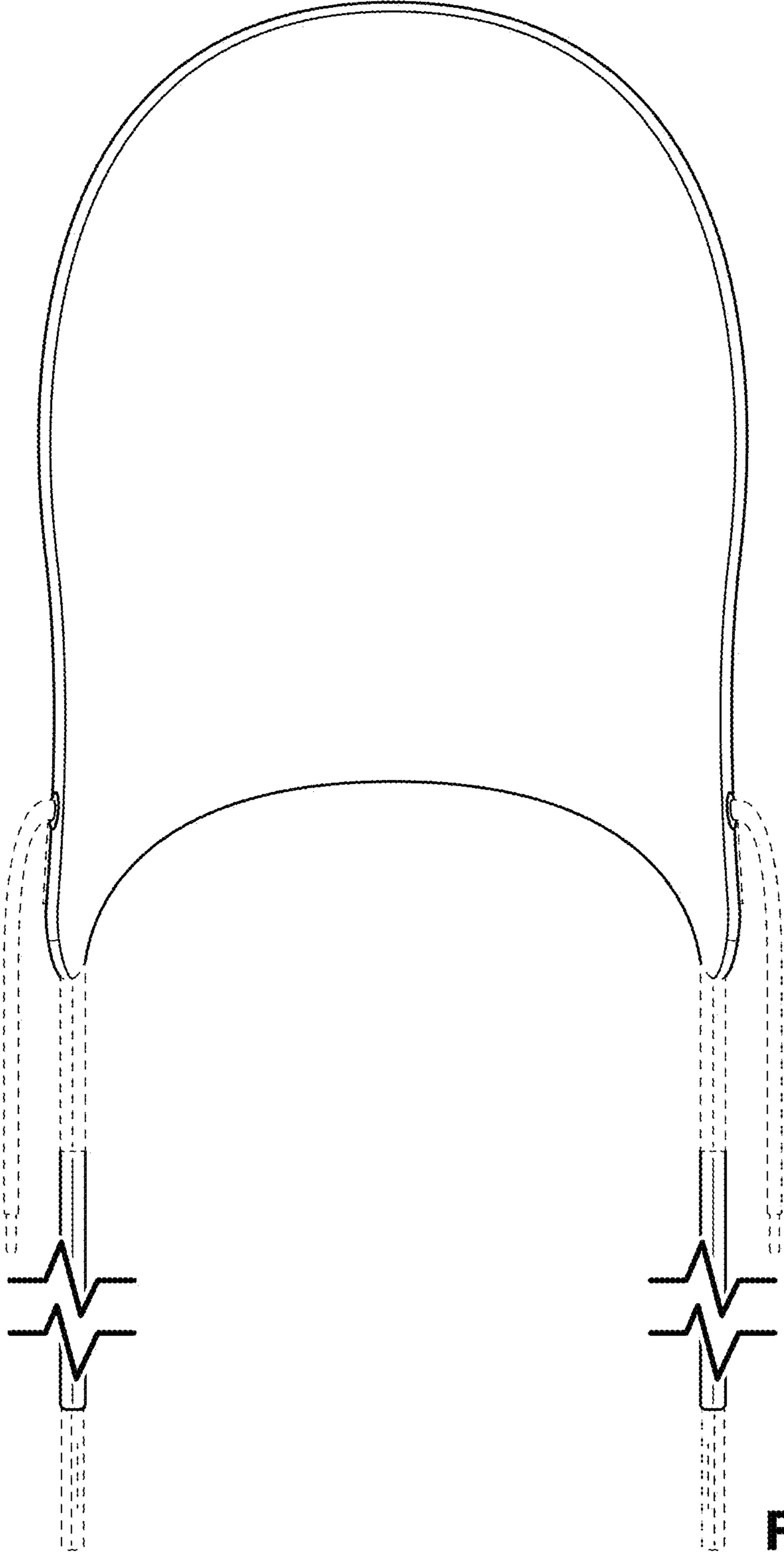


FIG. 18

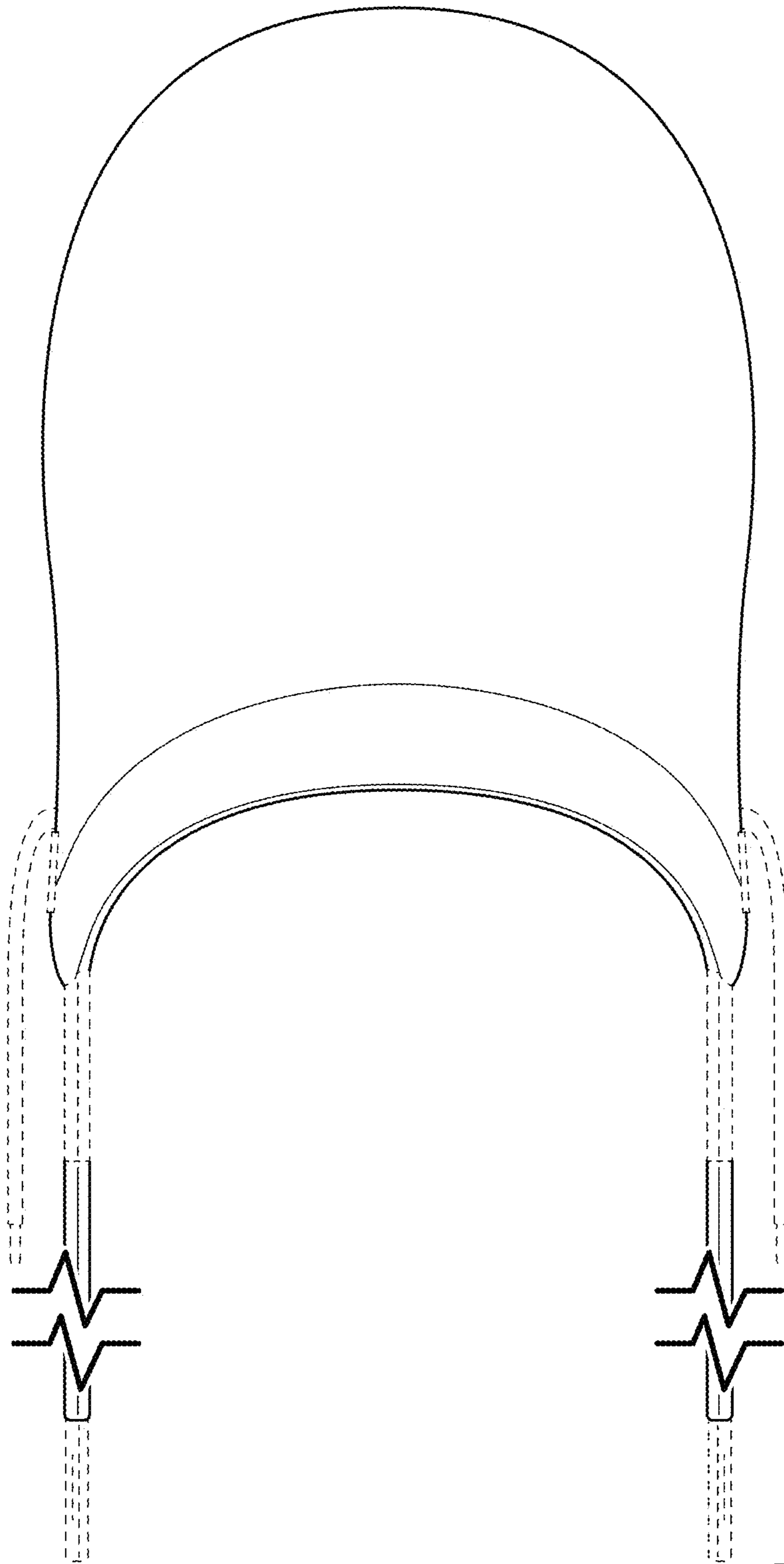


FIG. 19

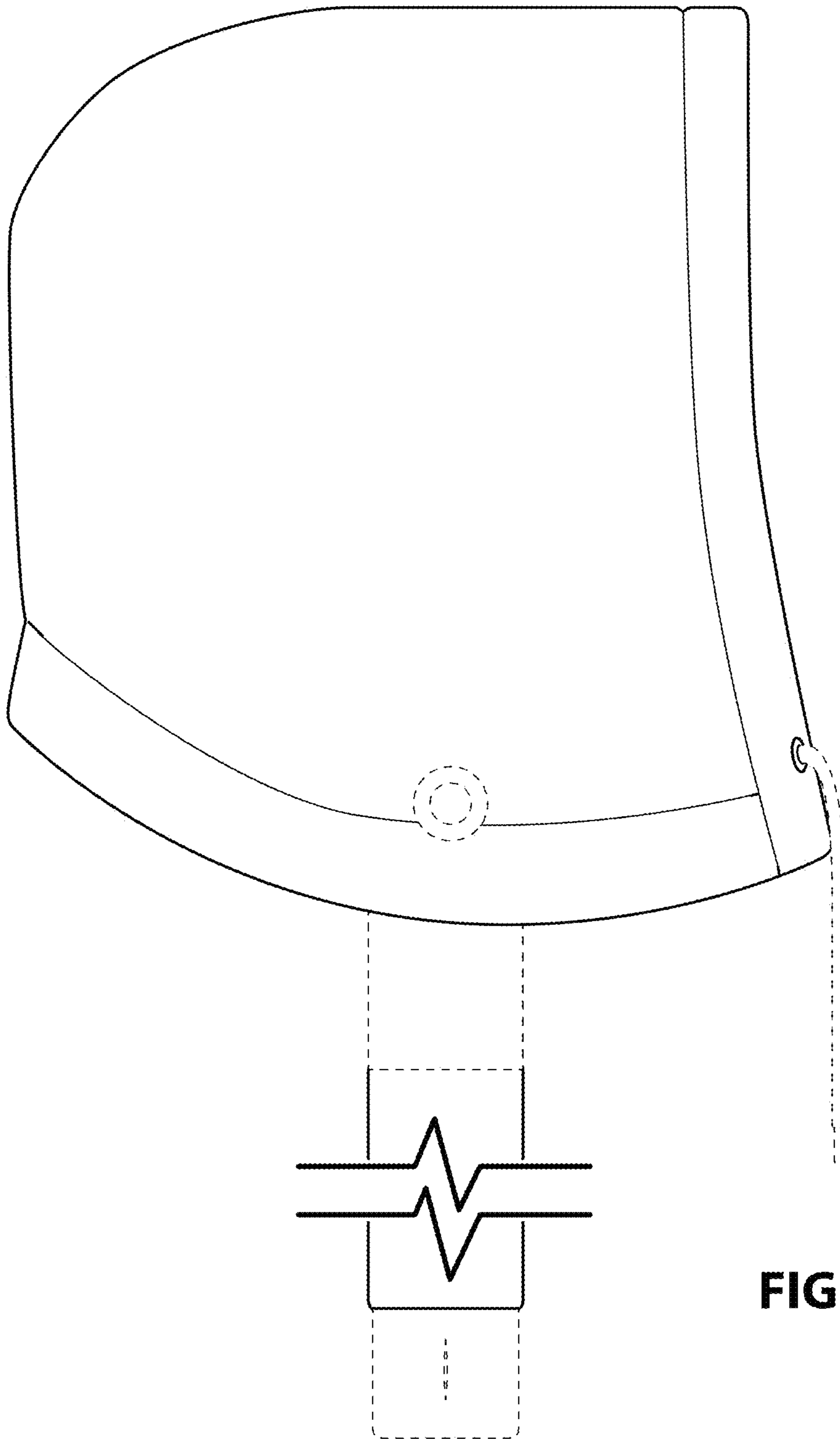


FIG. 20

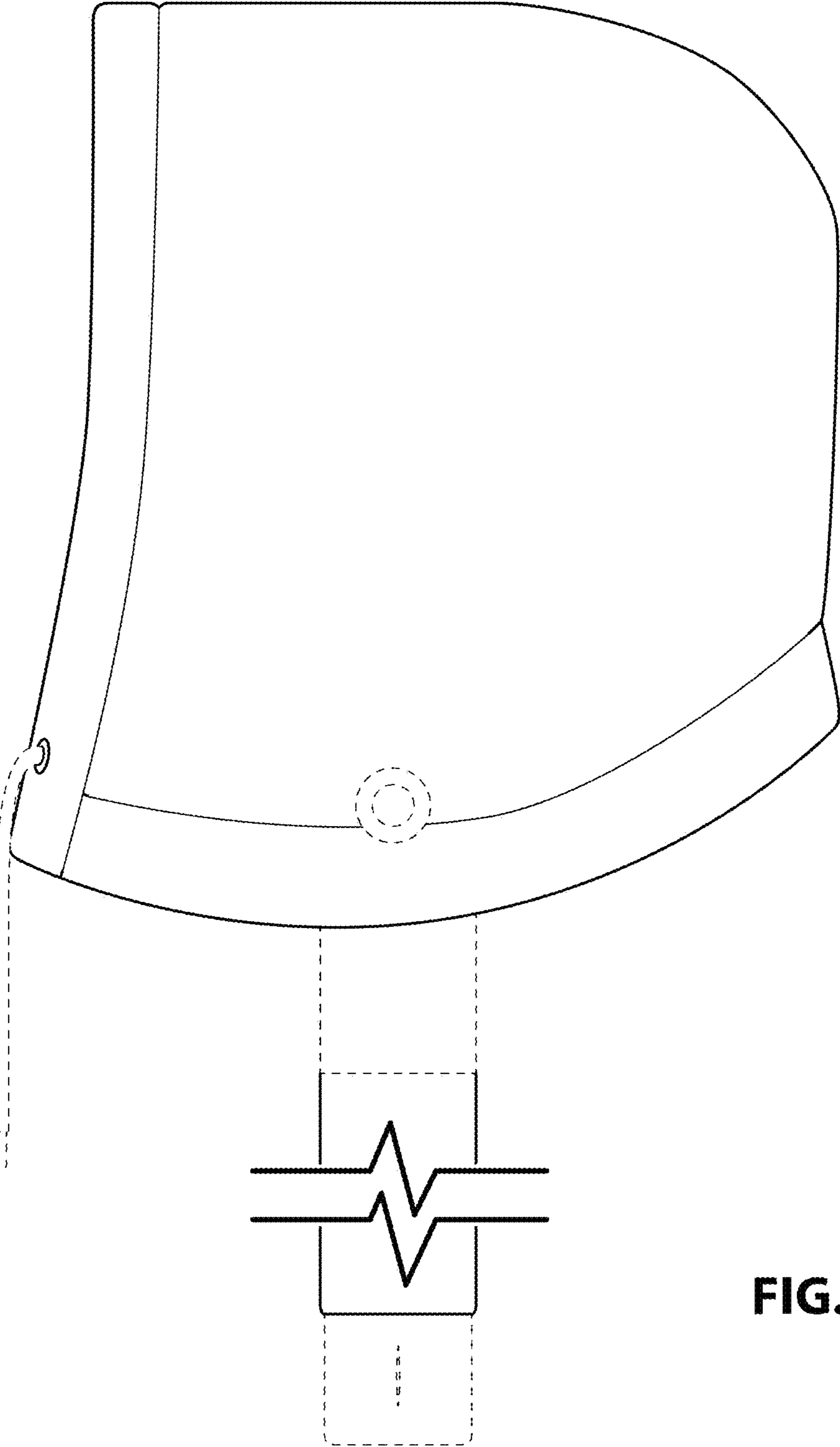


FIG. 21

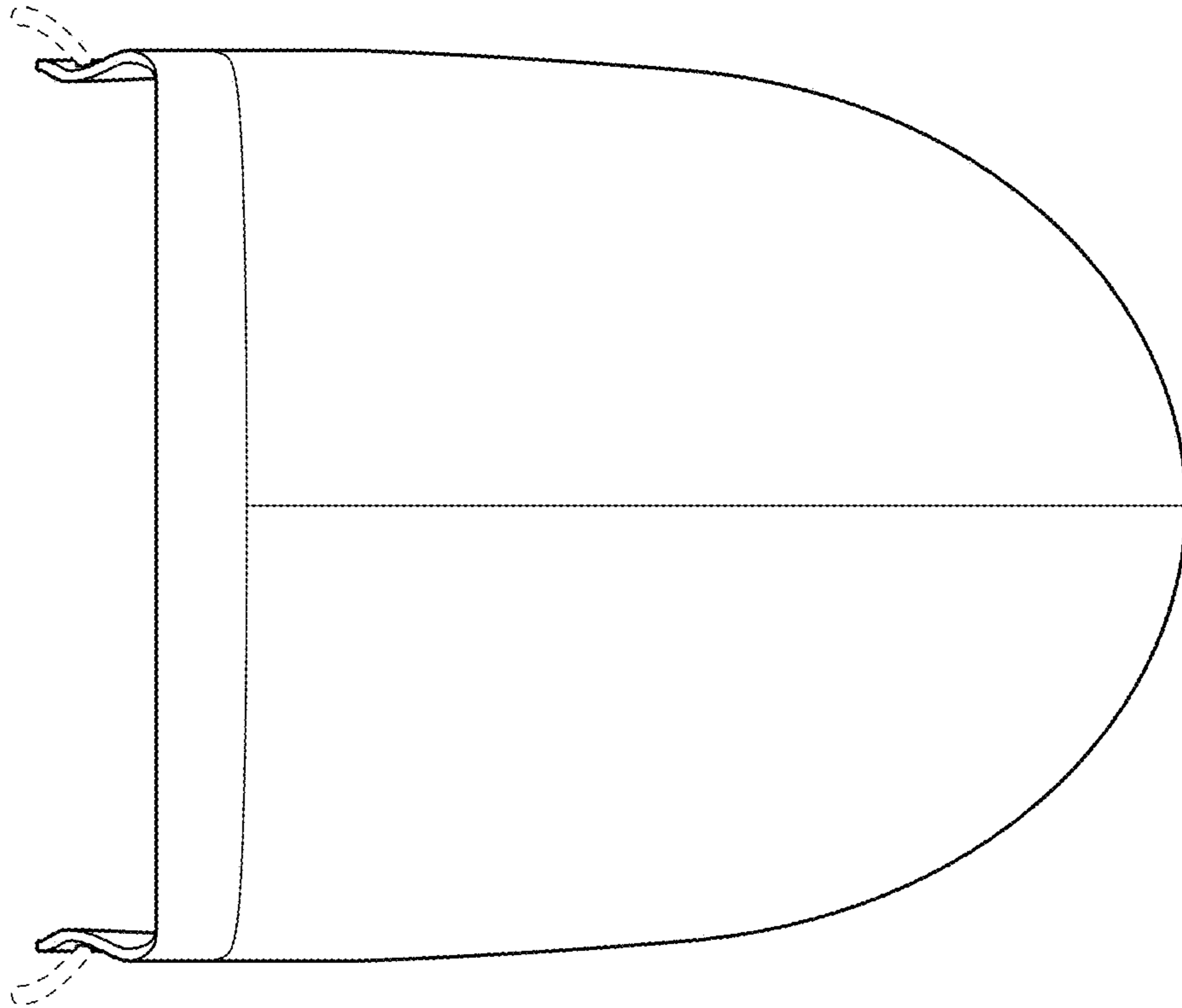


FIG. 22

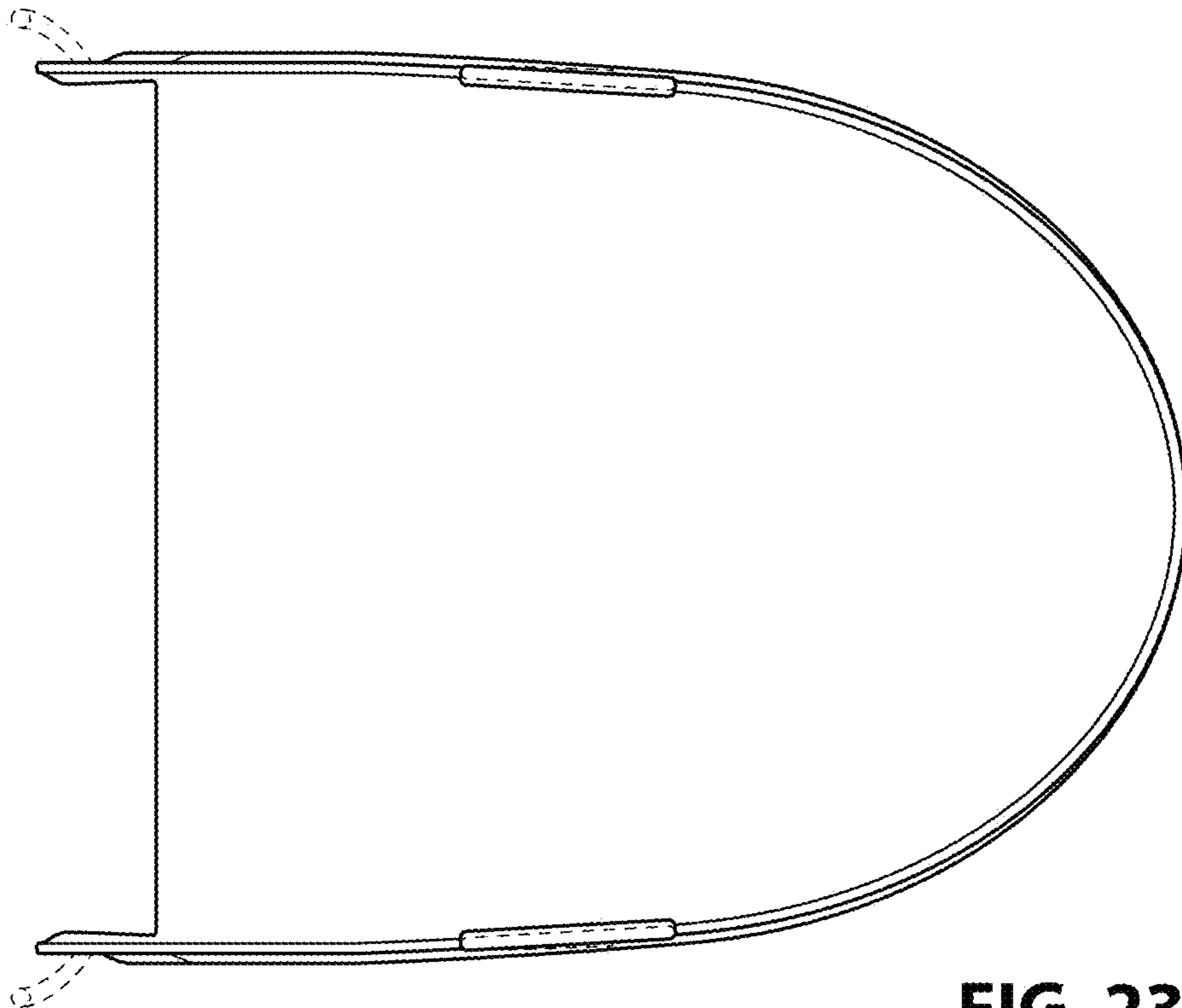


FIG. 23

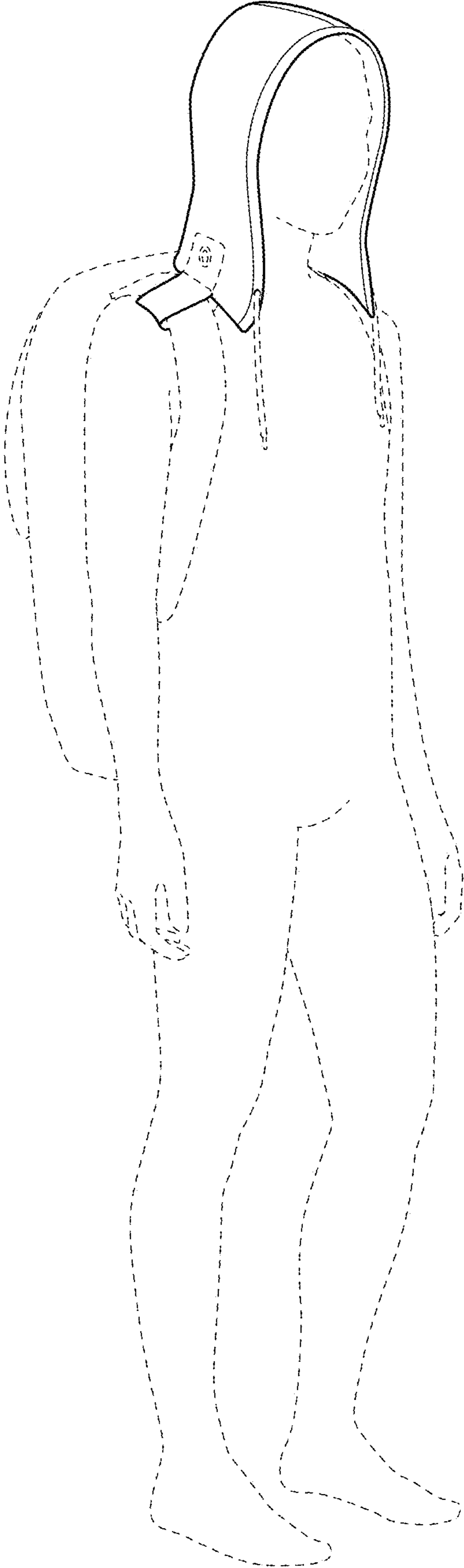


FIG. 24

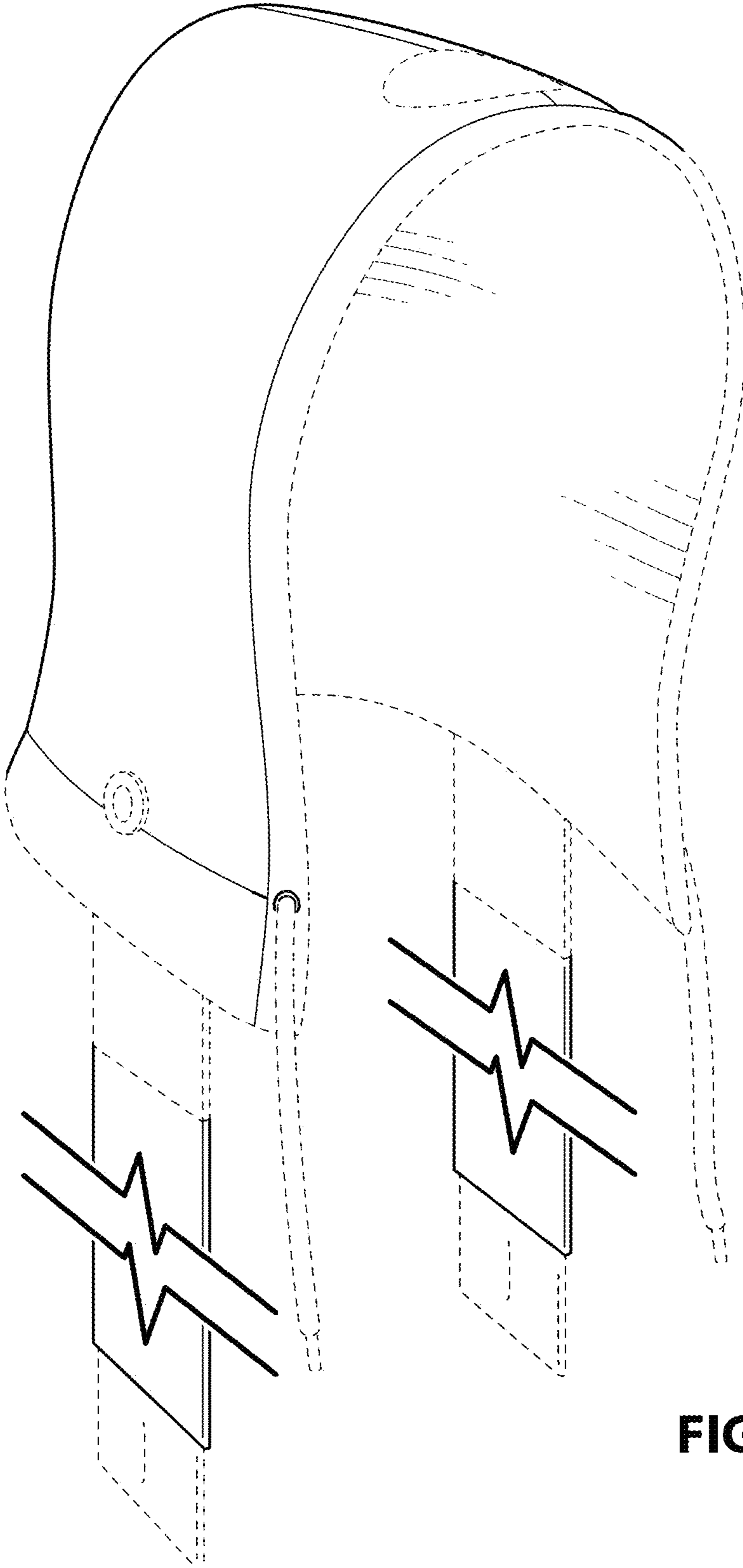


FIG. 25

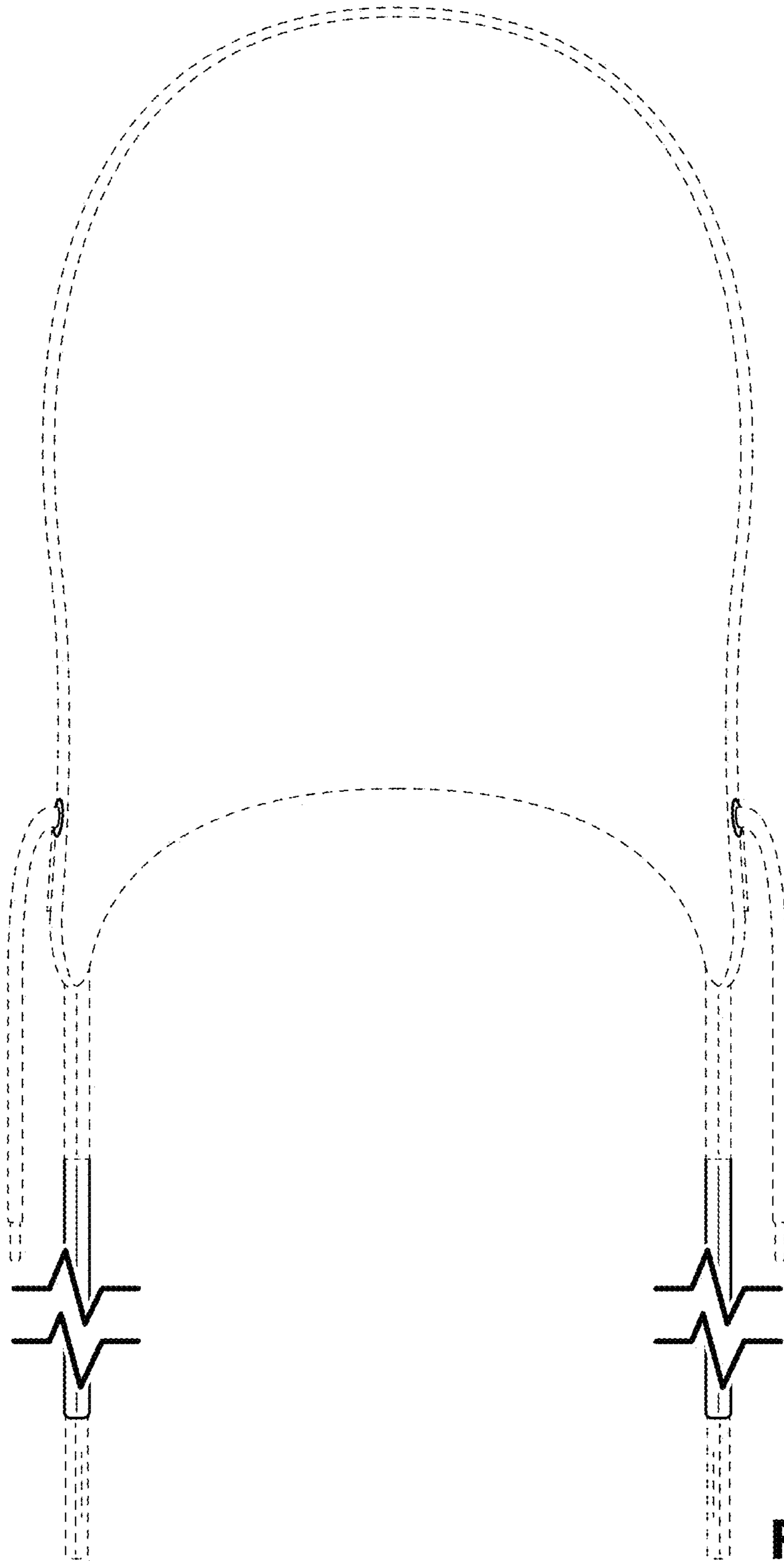


FIG. 26

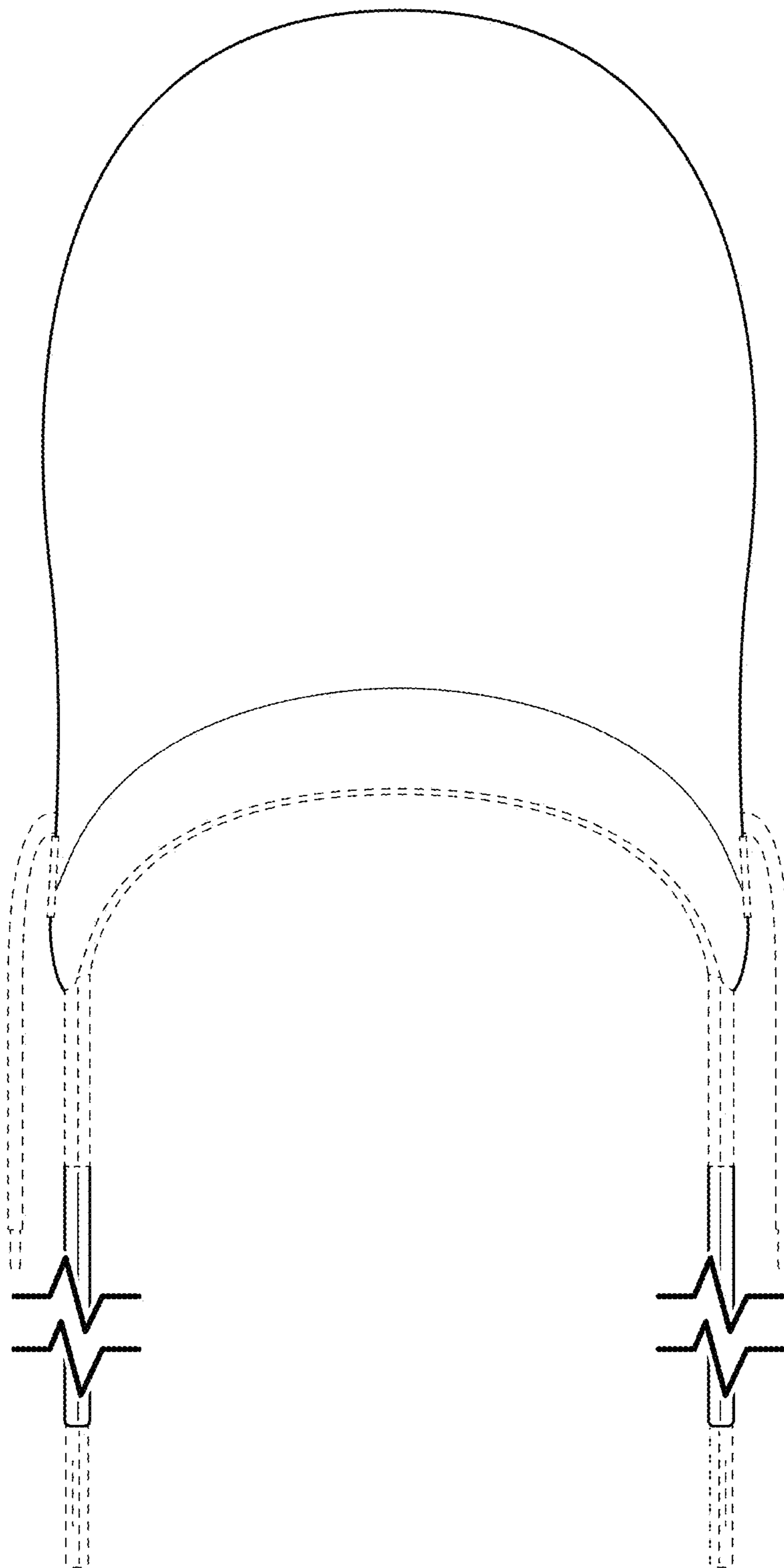


FIG. 27

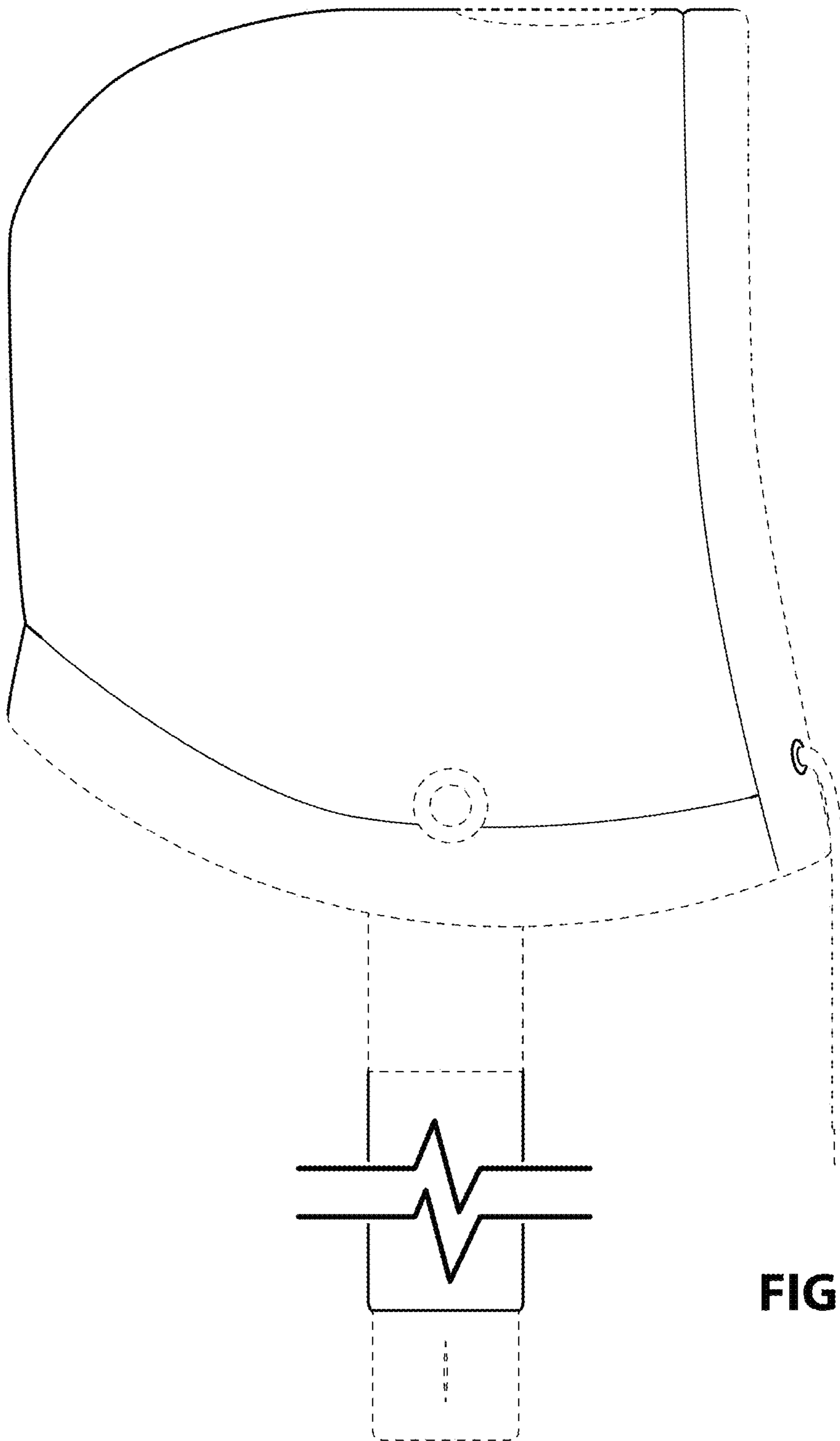


FIG. 28

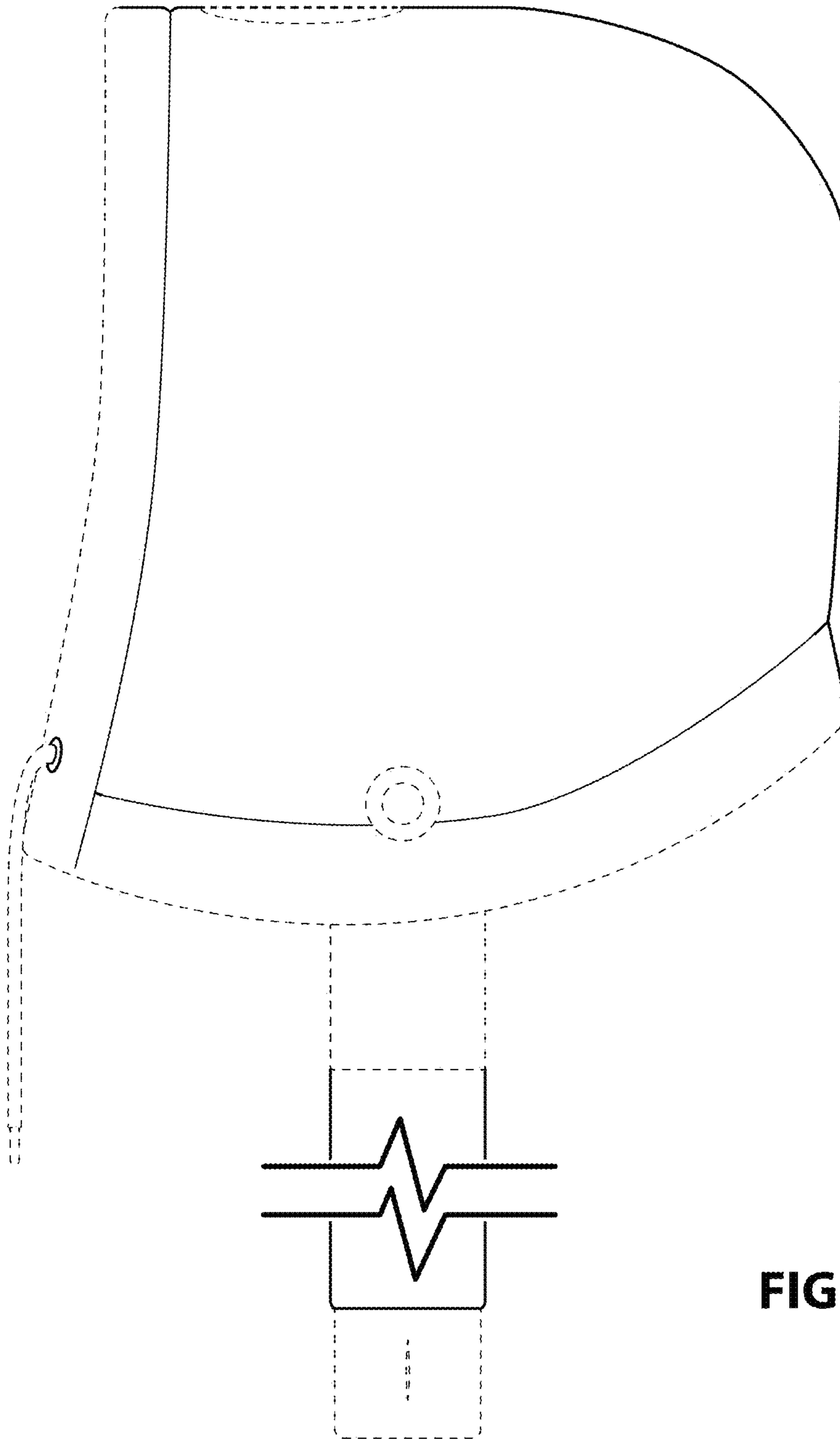


FIG. 29

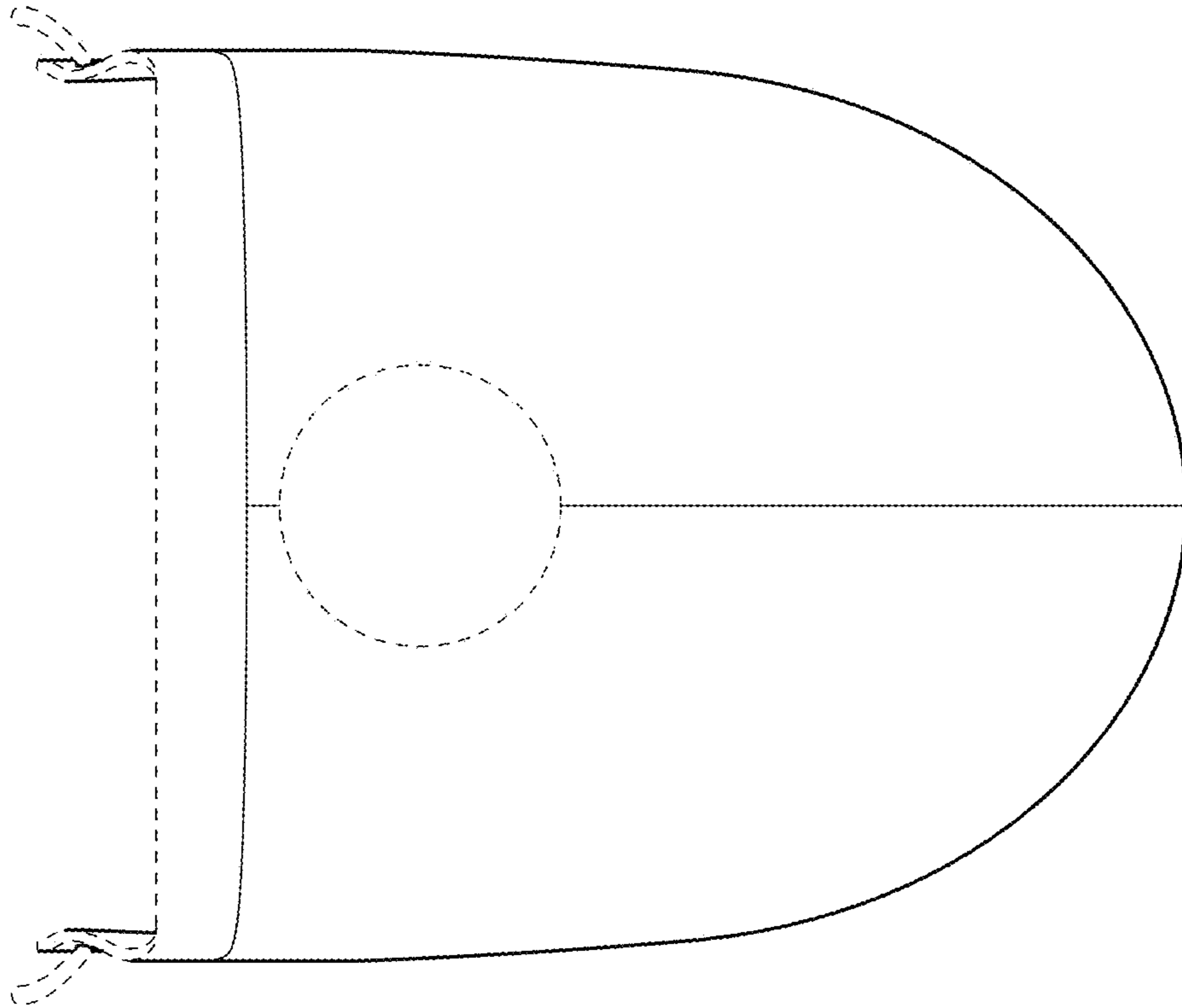


FIG. 30

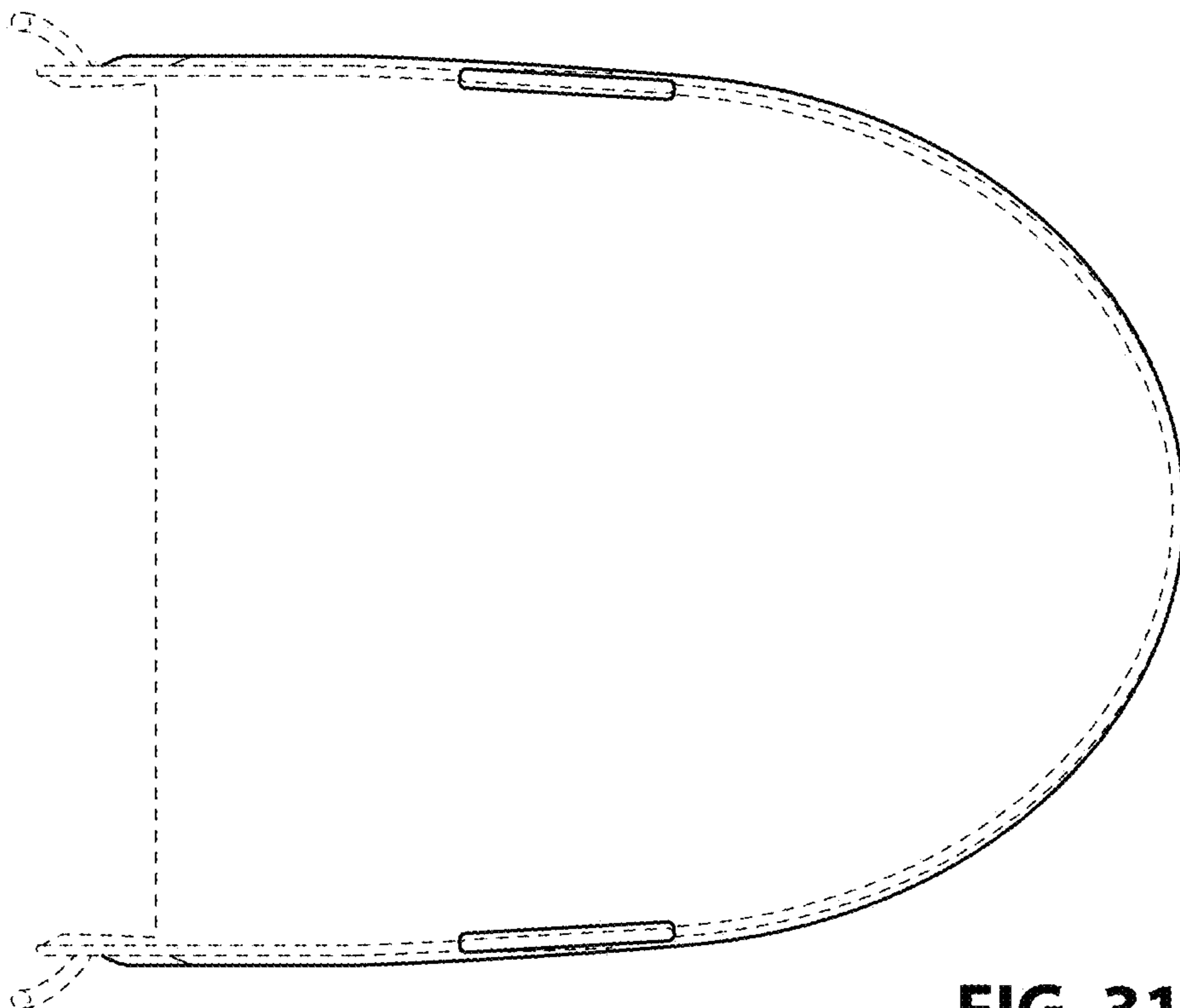


FIG. 31

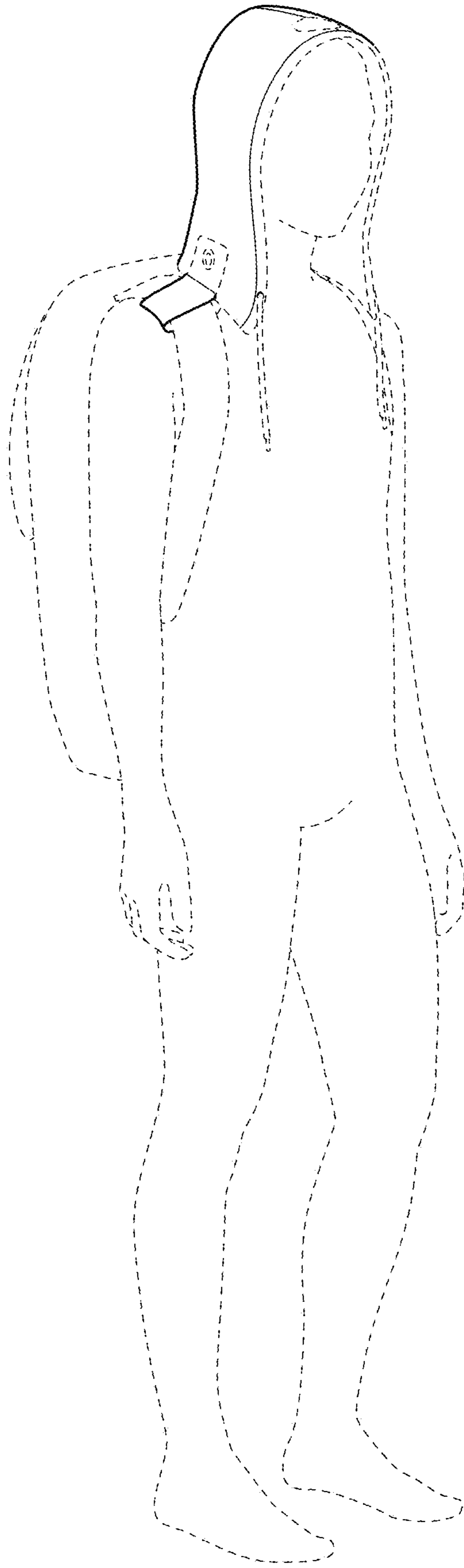


FIG. 32