



US00D919935S

(12) **United States Design Patent** (10) **Patent No.:** **US D919,935 S**
Shen (45) **Date of Patent:** **** May 25, 2021**

(54) **JACKET**

- (71) Applicant: **Cong Shen**, Shenzhen (CN)
- (72) Inventor: **Cong Shen**, Shenzhen (CN)
- (**) Term: **15 Years**
- (21) Appl. No.: **29/737,574**
- (22) Filed: **Jun. 10, 2020**
- (51) **LOC (13) Cl.** **02-02**
- (52) **U.S. Cl.**
USPC **D2/828**
- (58) **Field of Classification Search**
USPC D2/825, 828–829, 839
CPC A41D 1/04; A41D 1/082; A41D 1/084;
A41D 2600/102; A41D 3/02
See application file for complete search history.

(56) **References Cited**

U.S. PATENT DOCUMENTS

D323,733 S *	2/1992	Shalom	D2/831
D641,137 S	7/2011	Lindsay et al.		
D746,550 S *	1/2016	Roberts	D2/839
D755,478 S	5/2016	Grosbøl		
D781,027 S *	3/2017	Zheng	D2/828
D806,985 S	1/2018	Ilana et al.		
D809,745 S *	2/2018	Crowe	D2/828
D812,858 S *	3/2018	Lamprey	D2/831
D836,299 S *	12/2018	Lamprey	D2/839
D836,887 S *	1/2019	Aitch	D2/828
D839,553 S	2/2019	Davis		
D843,688 S *	3/2019	Pfanner	D2/828
D872,975 S	1/2020	Raj et al.		
2010/0031415 A1 *	2/2010	Shadid	A41D 27/201 2/87
2014/0196192 A1 *	7/2014	Koller	A41D 3/02 2/85
2015/0351470 A1 *	12/2015	Peay	A41D 3/00 2/270
2016/0270465 A1 *	9/2016	Lamprey	A41D 27/20

OTHER PUBLICATIONS

Men's Kuhl Arktik Jacket, posted 2016 [online], (retrieved Aug. 18, 2020, retrieved from the internet, https://www.scheels.com/p/mens-kuhl-arktisk-jacket/63141182521.html?gclid=EAIaIQobChMI6ZOAwMa16w1VCo_ICh17gASKEAYYAyABEgJs0PD_BwE (Year: 2016).*
https://www.amazon.com/dp/B086VDYGGJ2?ref=myi_title_dp, Apr 13, 2020.
https://www.amazon.com/Chaqueta-resistente-capucha-camuflaje-hombres/dp/B085ZRWD3V/ref=zg_bs_3412971_68?_encoding=UTF8&refRID=KE76HVH3RM0B786SNTR9&th=1&psc=1, Apr. 13, 2020.

* cited by examiner

Primary Examiner — Kevin K Rudzinski
Assistant Examiner — J. Thorn, Sr.
(74) *Attorney, Agent, or Firm* — Rumit Ranjit Kanakia

(57) **CLAIM**

I claim the ornamental design for a jacket, as shown and described.

DESCRIPTION

FIG. 1 is a Perspective view of a jacket showing my new design;
FIG. 2 is a Front view thereof;
FIG. 3 is a Back view thereof;
FIG. 4 is a Right-side view thereof;
FIG. 5 is a Left-side view thereof;
FIG. 6 is a Top view thereof;
FIG. 7 is a Bottom view thereof; and,
FIG. 8 is other perspective view thereof.
The broken lines in the drawings depict portions of the jacket that form no part of the claimed design.

1 Claim, 7 Drawing Sheets





FIG. 1

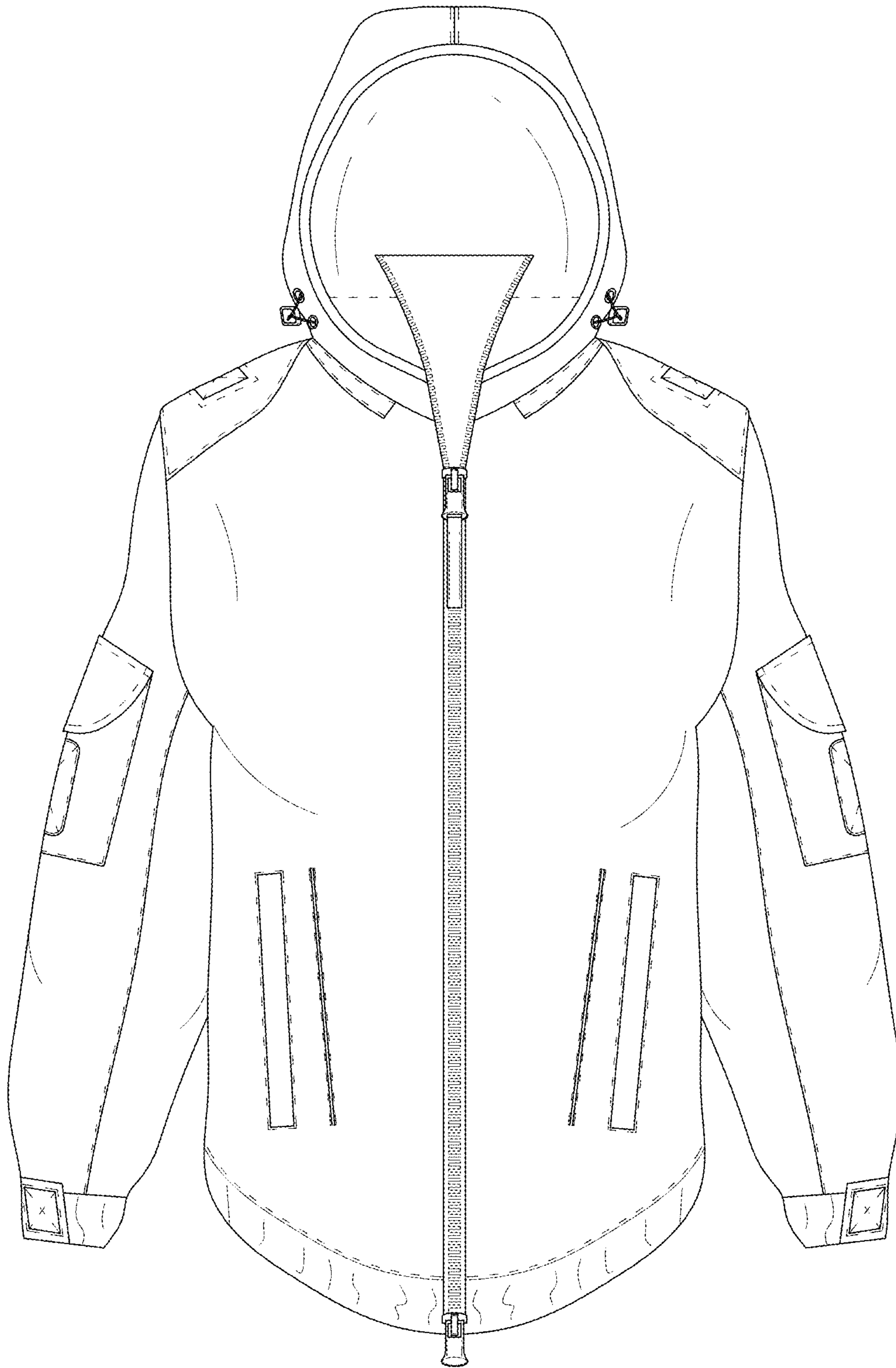


FIG. 2

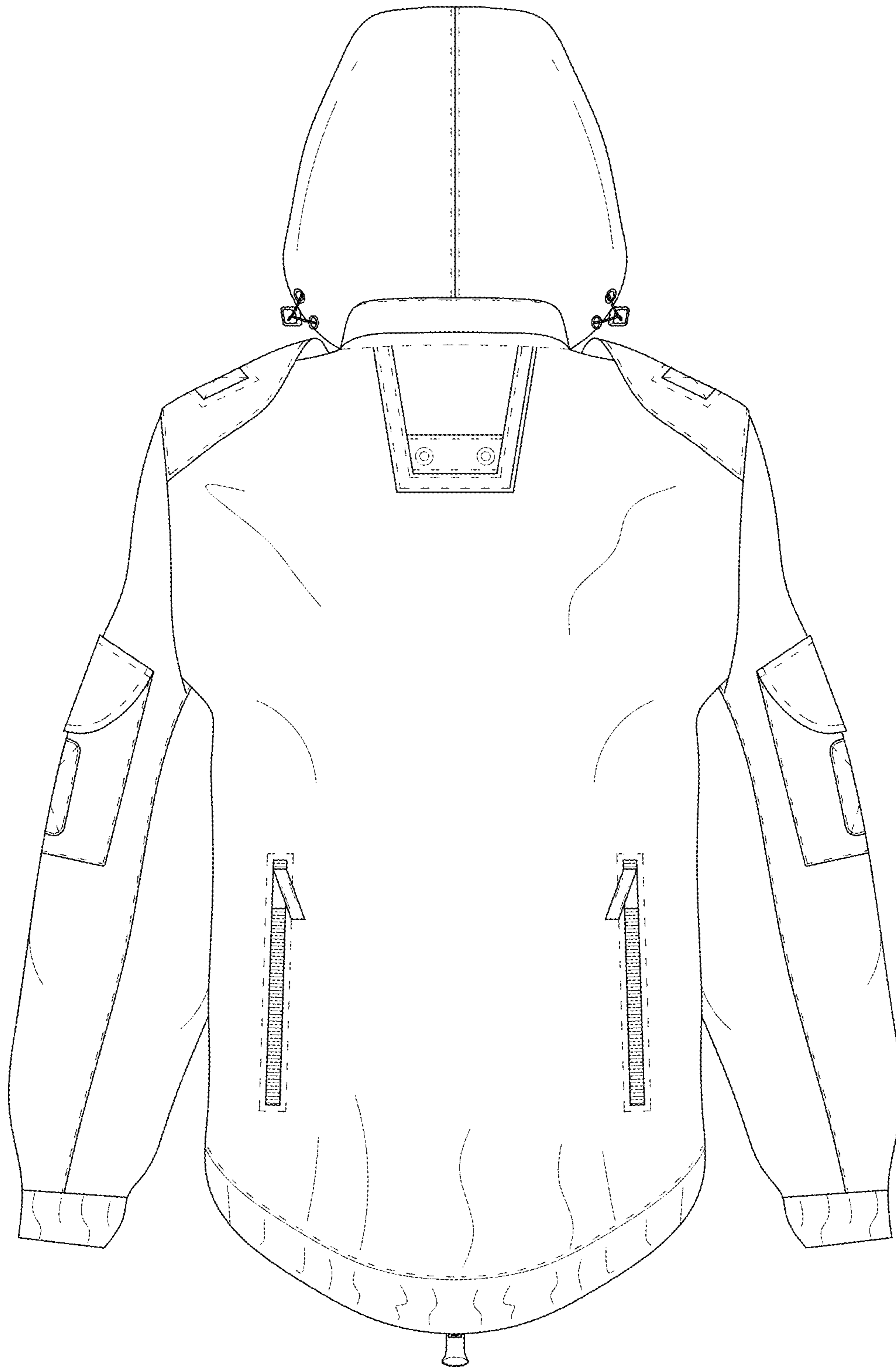


FIG. 3

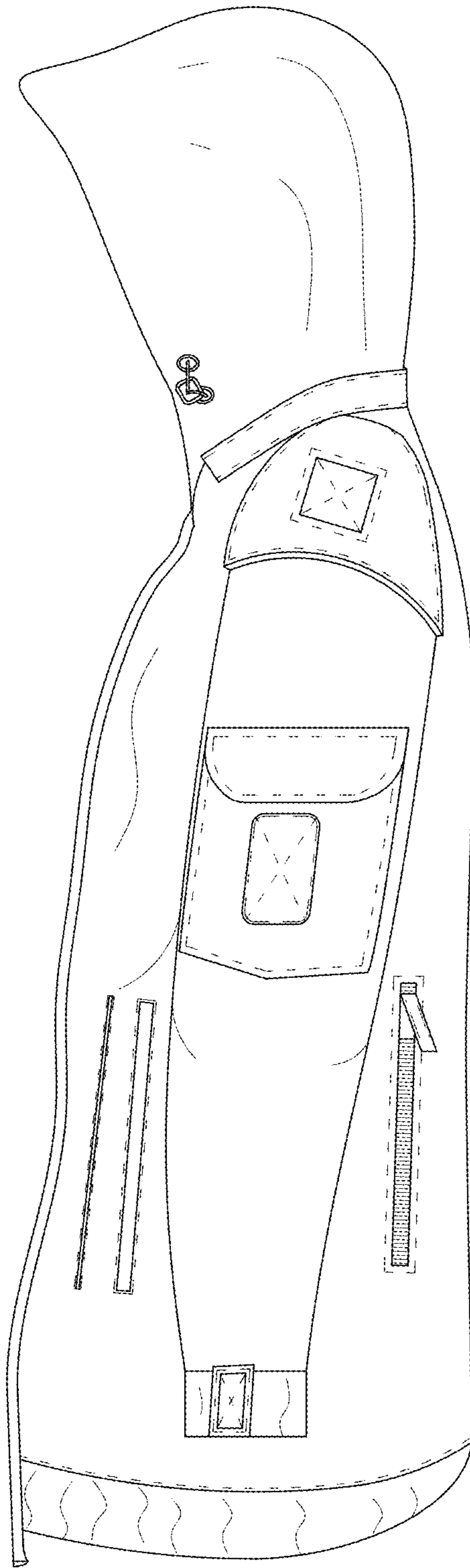


FIG. 4

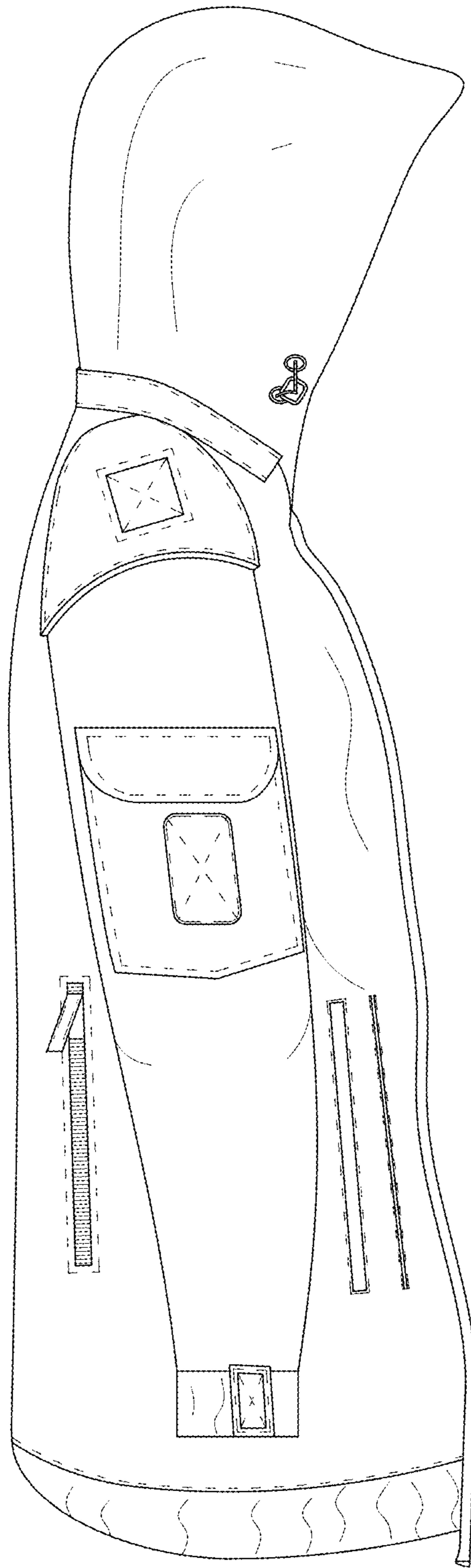


FIG. 5

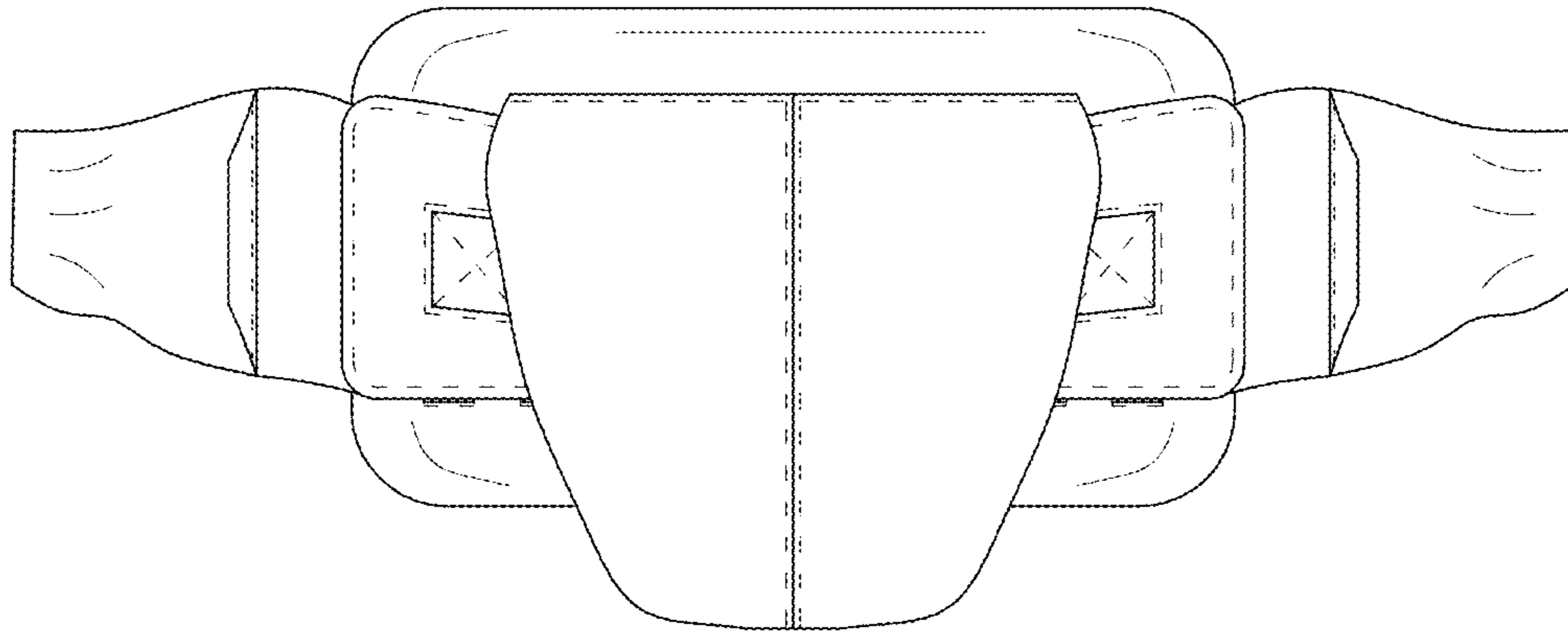


FIG. 6

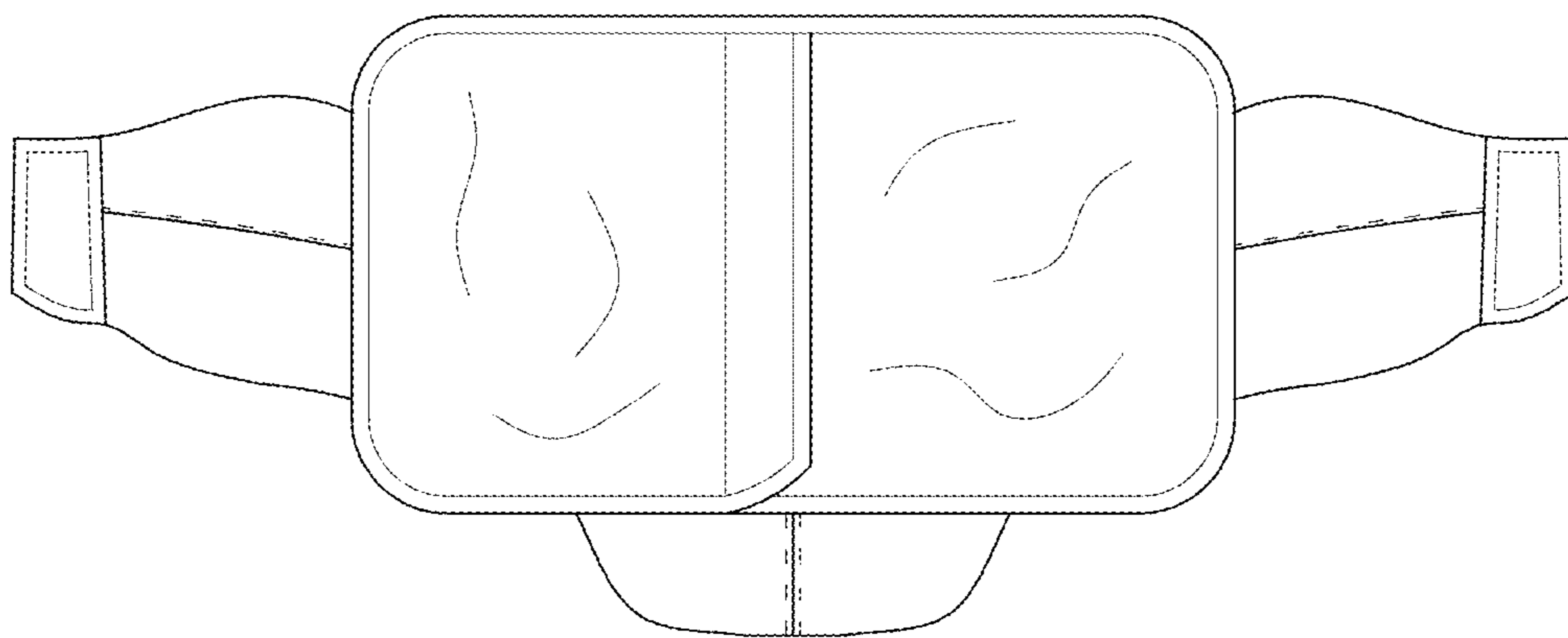


FIG. 7

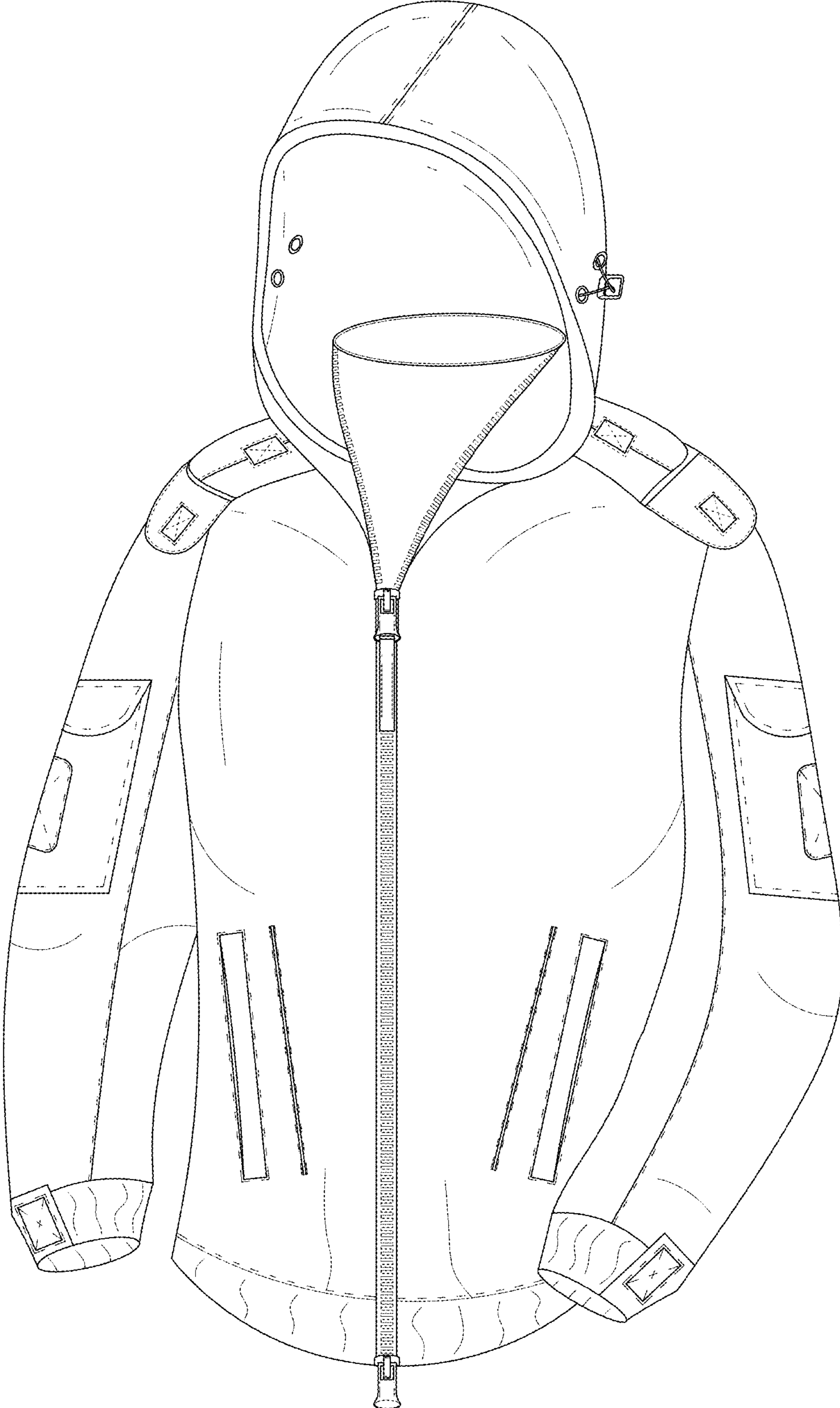


FIG. 8