



US00D919931S

(12) **United States Design Patent**
Jenkins et al.

(10) **Patent No.:** **US D919,931 S**

(45) **Date of Patent:** **** May 25, 2021**

(54) **GOWN WITH REINFORCED SLEEVES**

(71) Applicant: **Alleset Healthcare, Inc.**, Flowery Branch, GA (US)

(72) Inventors: **Brian E. Jenkins**, Cumming, GA (US); **Martin Dean Paugh**, Gainesville, GA (US); **Jing Liang**, Alpharetta, GA (US)

(73) Assignee: **Alleset Healthcare, Inc.**, Flowery Branch, GA (US)

(**) Term: **15 Years**

(21) Appl. No.: **29/630,463**

(22) Filed: **Dec. 21, 2017**

(51) **LOC (13) Cl.** **02-01**

(52) **U.S. Cl.**
USPC **D2/720**

(58) **Field of Classification Search**
USPC D2/739, 720, 860, 800, 858, 610, 840;
2/51, 114

CPC . A41D 13/1236; A41D 13/1209; A41D 13/12
See application file for complete search history.

(56) **References Cited**

U.S. PATENT DOCUMENTS

3,824,625	A *	7/1974	Green	A41D 13/1209	2/114
4,019,207	A *	4/1977	Newman	A41D 13/1209	2/51
D393,138	S *	4/1998	Frey	D2/610	
D618,884	S *	7/2010	Zhu	A41D 13/1209	D2/720

D628,363	S *	12/2010	Bengyak	D2/610	
D646,463	S *	10/2011	Petrovskis	D2/720	
D659,348	S *	5/2012	Selle	D2/610	
D756,597	S *	5/2016	Peerman	D2/739	
D791,434	S *	7/2017	Pasko	D2/720	
D797,401	S *	9/2017	Jascomb	D2/720	
D836,297	S *	12/2018	Pasko	D2/720	
2009/0158488	A1 *	6/2009	Zhu	A41D 13/1209	2/51
2010/0024088	A1 *	2/2010	Griefer	A41D 13/08	2/16
2014/0007316	A1 *	1/2014	Tommarello	A41D 13/1236	2/114
2019/0166930	A1 *	6/2019	Stewart	A41D 13/1209	

* cited by examiner

Primary Examiner — Kevin K Rudzinski

Assistant Examiner — J. Thorn, Sr.

(74) *Attorney, Agent, or Firm* — Withers & Keys, LLC

(57) **CLAIM**

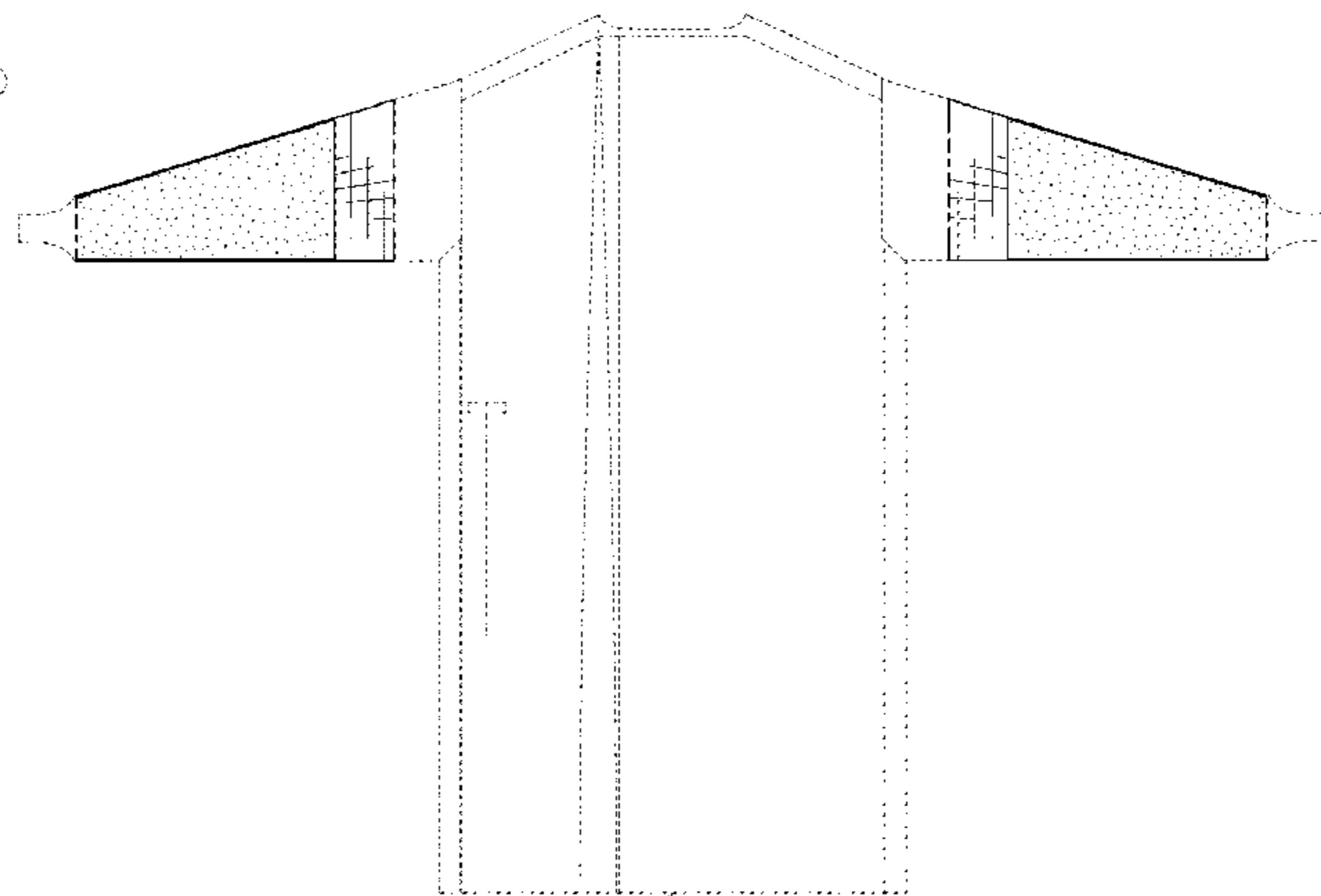
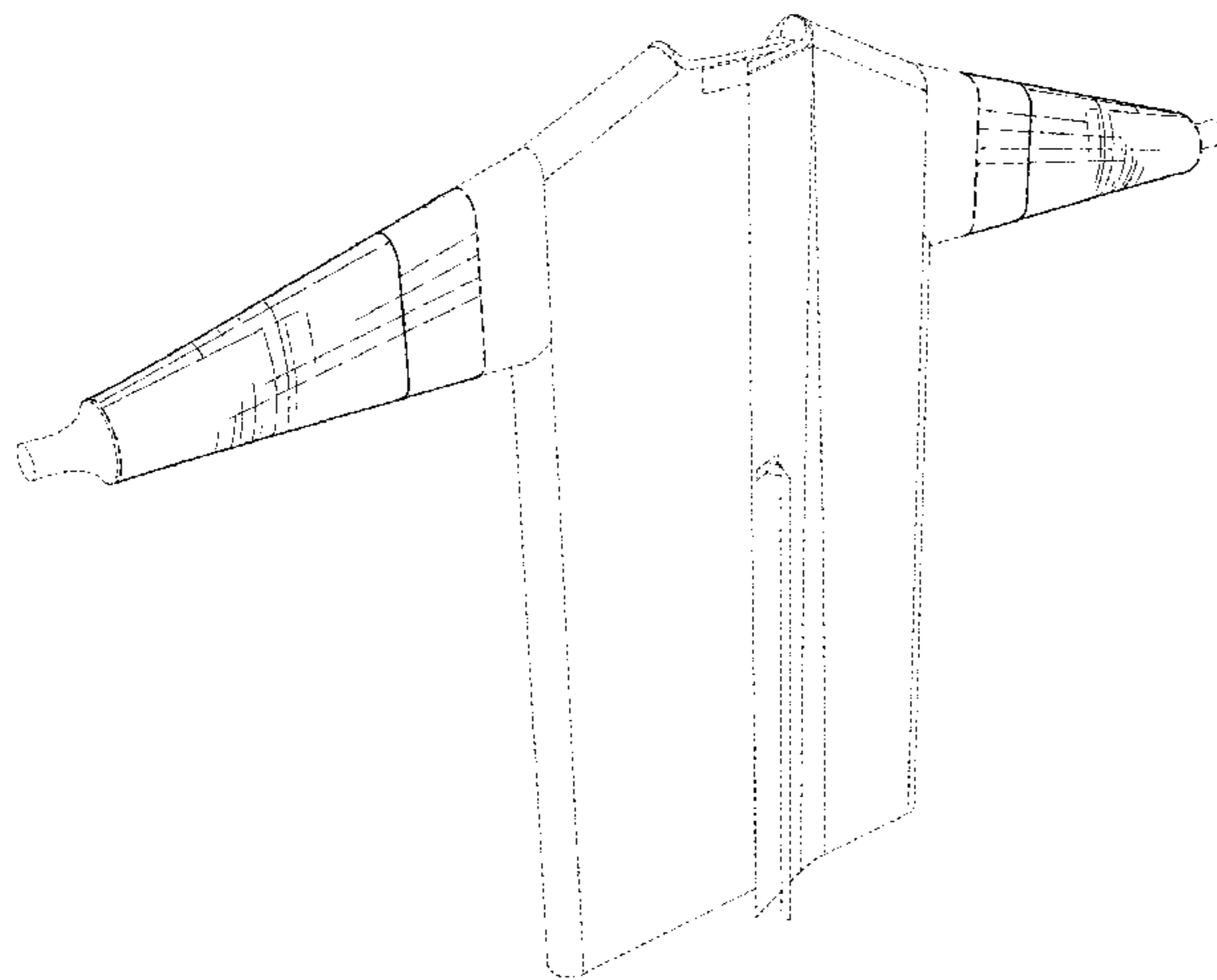
The ornamental design for a gown with reinforced sleeves, as shown and described.

DESCRIPTION

FIG. 1 is a rear perspective view of a gown with reinforced sleeves showing our new design; FIG. 2 is a rear view thereof; FIG. 3 is a frontal view thereof; FIG. 4 is a second rear perspective view thereof; and, FIG. 5 is a cross-sectional view thereof, taken along line 5-5 shown in FIG. 4.

The broken lines shown in the drawings depict portions of the gown with reinforced sleeves that form no part thereof.

1 Claim, 5 Drawing Sheets



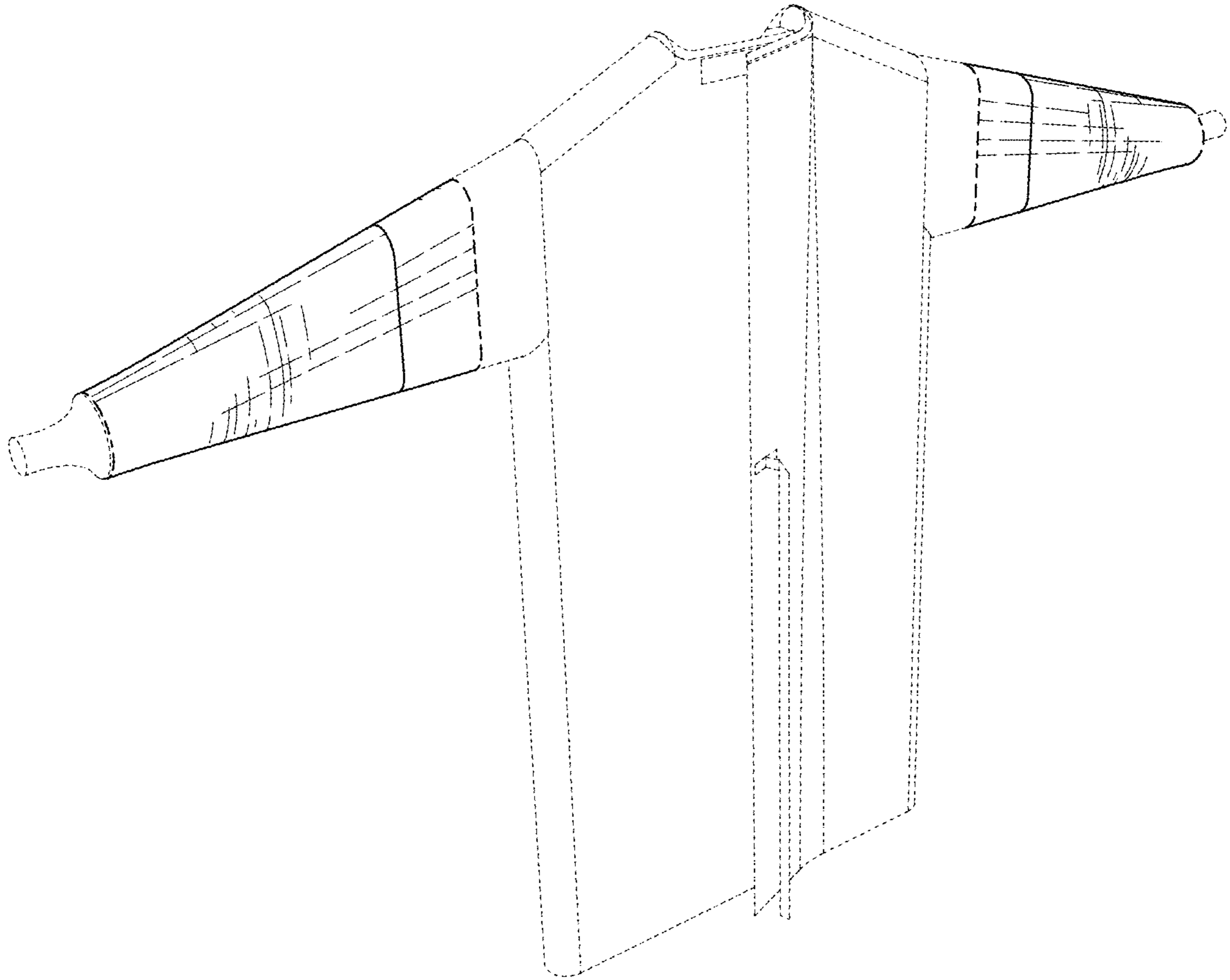


FIG. 1

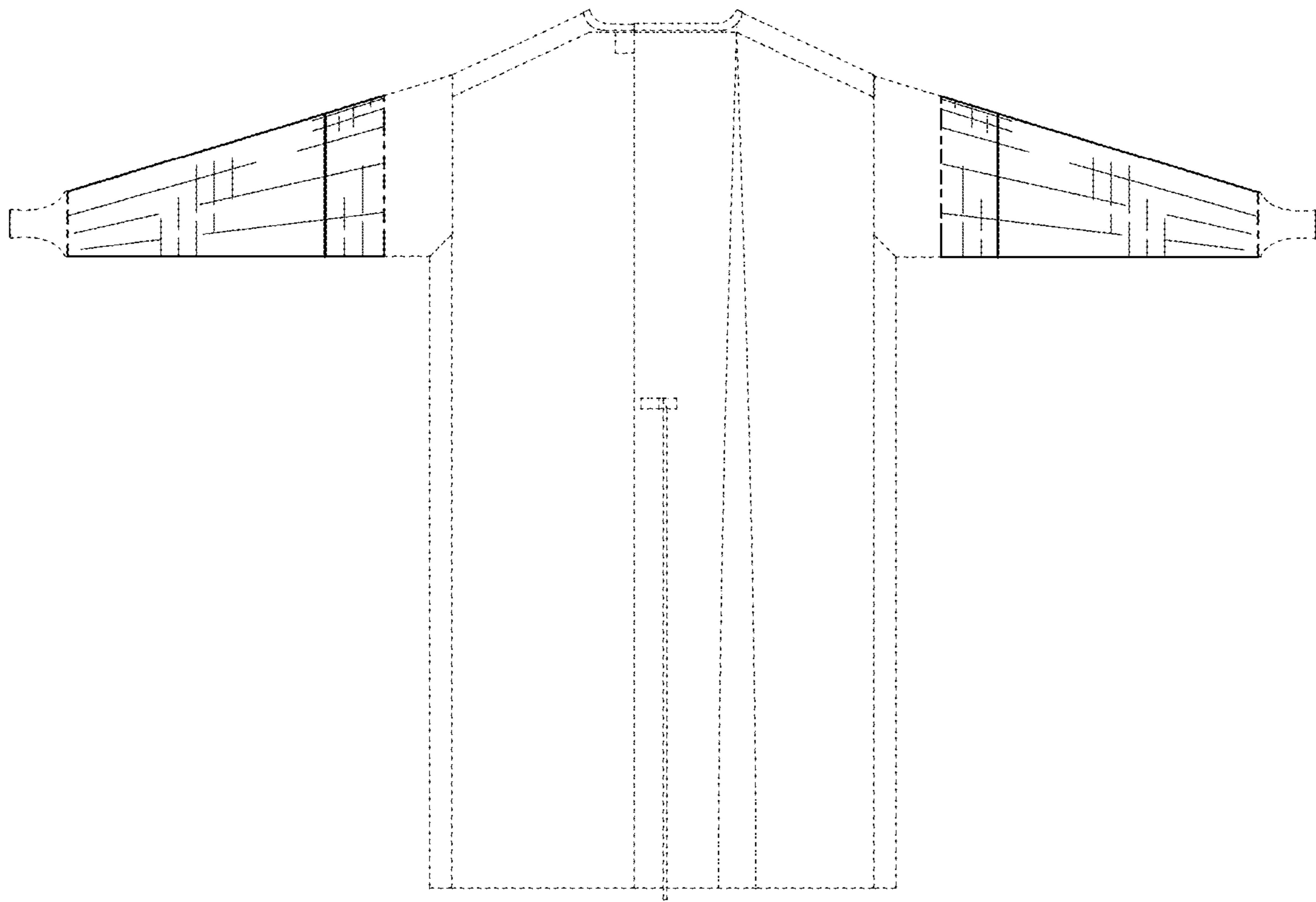


FIG. 2

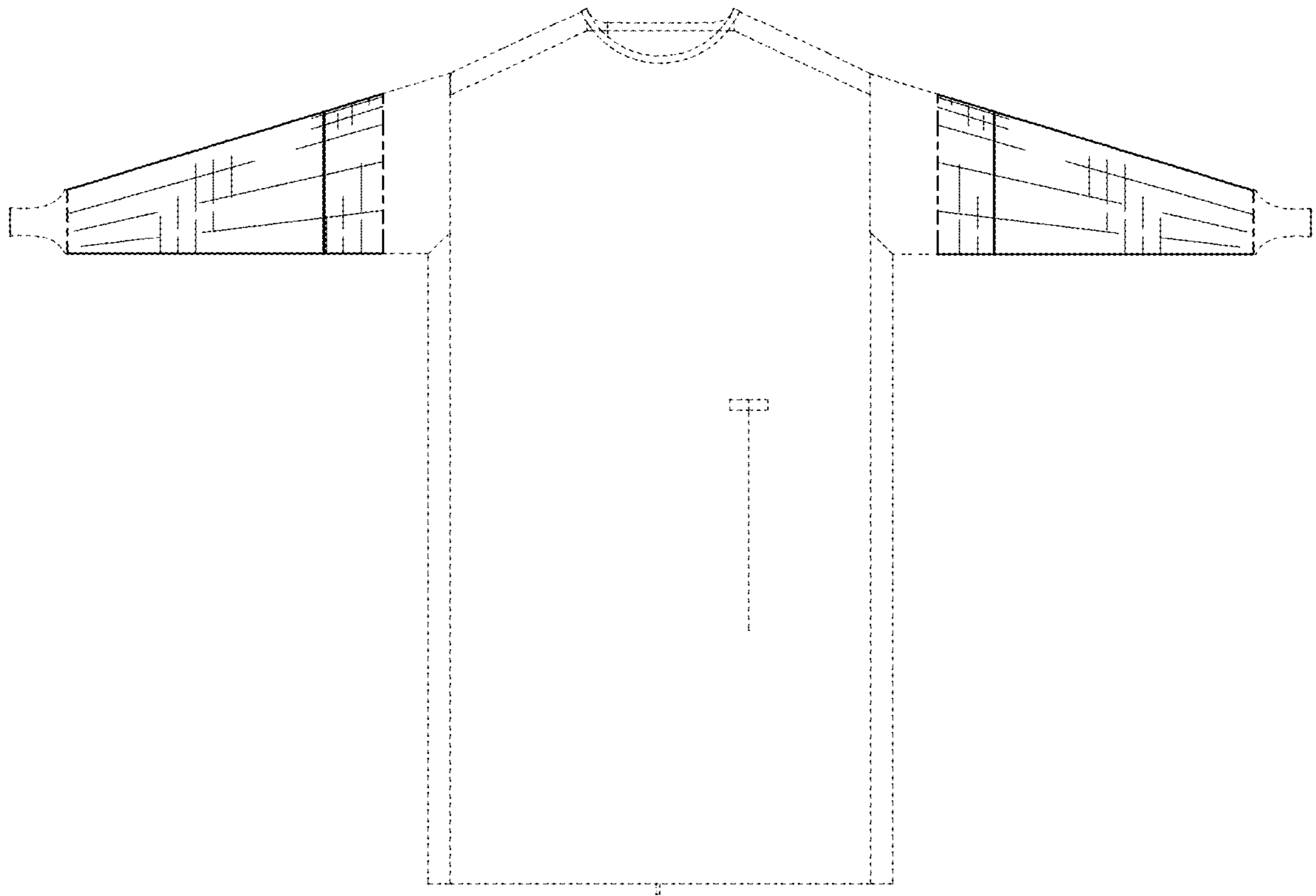


FIG. 3

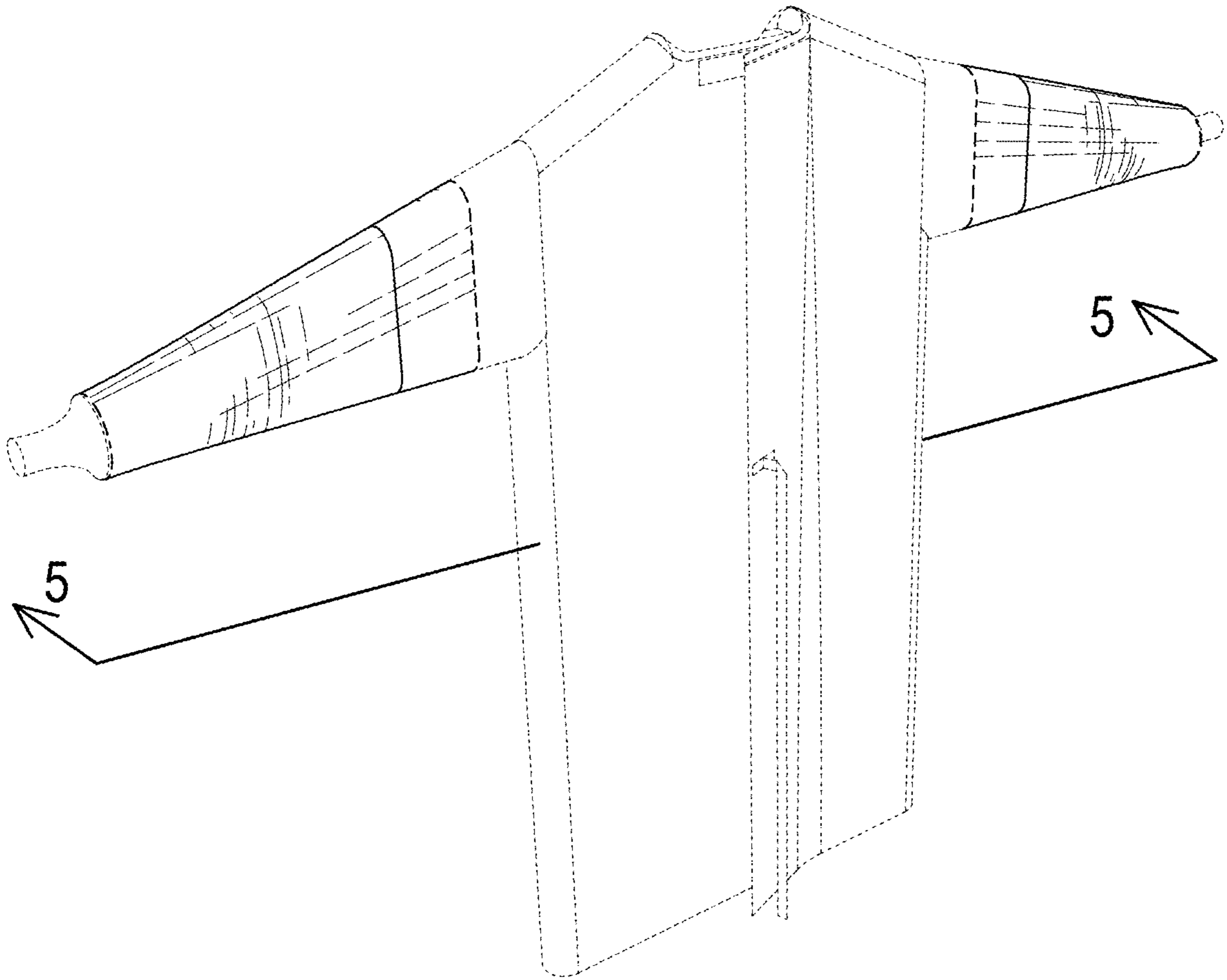


FIG. 4

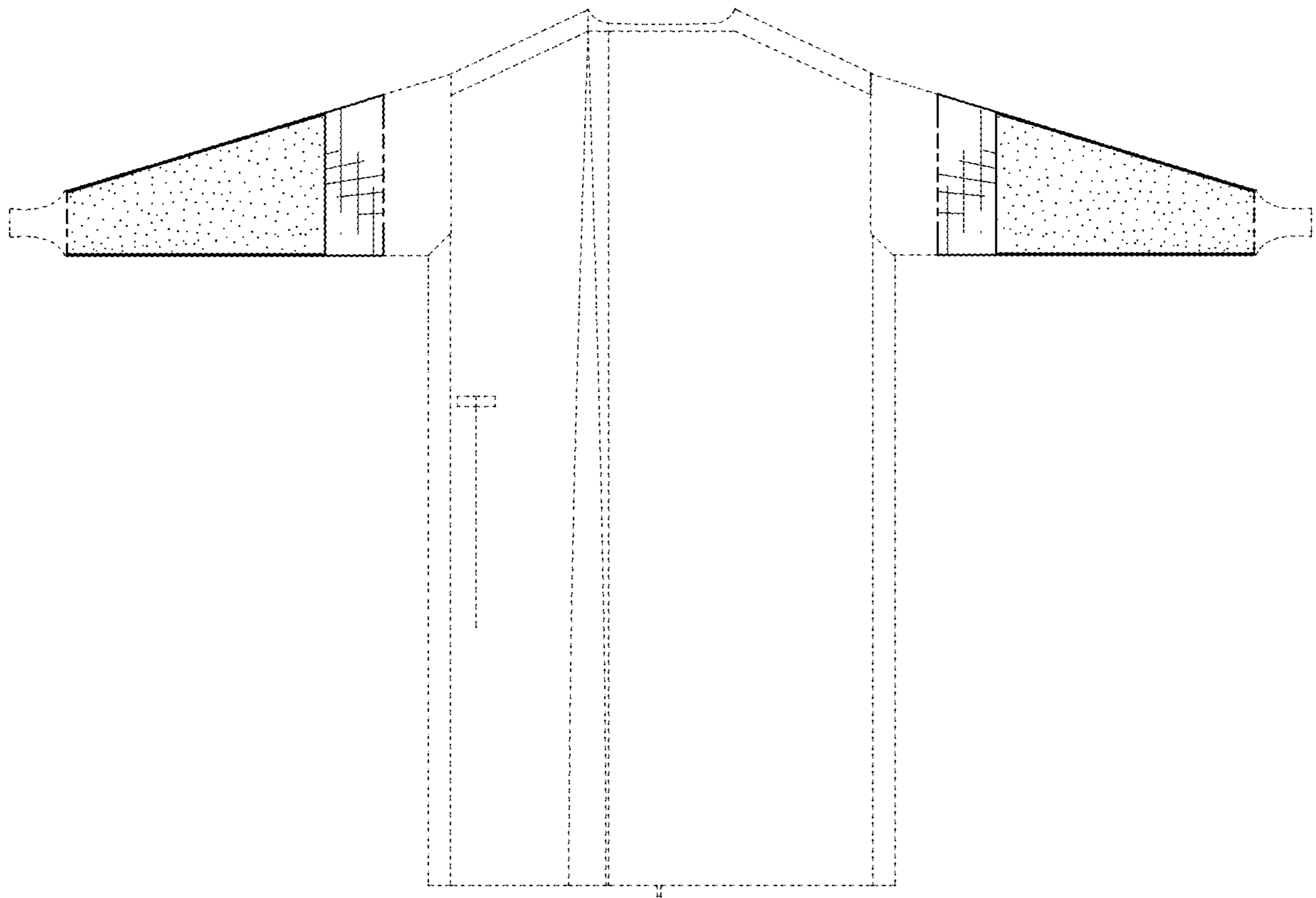


FIG. 5