



US00D919925S

(12) **United States Design Patent** (10) **Patent No.:** **US D919,925 S**
Androsyuk et al. (45) **Date of Patent:** **** May 18, 2021**

(54) **BEZEL**
(71) Applicant: **Crane Payment Innovations, Inc.**,
Malvern, PA (US)
(72) Inventors: **Sergiy Androsyuk**, Toronto (CA);
Matthew James Sidell, Phoenixville,
PA (US)
(73) Assignee: **Crane Payment Innovations, Inc.**,
Malvern, PA (US)
(**) Term: **15 Years**
(21) Appl. No.: **29/740,622**
(22) Filed: **Jul. 6, 2020**

(56) **References Cited**

U.S. PATENT DOCUMENTS

D292,423	S	*	10/1987	Williams	D21/333
D419,277	S	*	1/2000	Ishii	D99/28
D481,516	S	*	10/2003	Magee	D99/28
D481,517	S	*	10/2003	Magee	D99/28
D625,305	S	*	10/2010	Bleck	D14/307
D684,745	S	*	6/2013	Reuter	D99/28
D693,803	S	*	11/2013	Colley	D14/307
9,406,056	B2	*	8/2016	MacKay	G06Q 20/18
D782,466	S	*	3/2017	Yepez	D14/307
9,792,536	B2	*	10/2017	Carmine	G06K 13/0881
D889,765	S	*	7/2020	Androsyuk	D99/43
2006/0073883	A1	*	4/2006	Franks, Jr.	G07F 17/42
						463/25
2008/0296365	A1	*	12/2008	Schliebe	G07F 19/2055
						235/379
2009/0057398	A1	*	3/2009	Douglass	G07F 19/00
						235/379

Related U.S. Application Data

(62) Division of application No. 29/661,412, filed on Aug. 27, 2018, now Pat. No. Des. 889,765.
(51) **LOC (13) Cl.** **99-00**
(52) **U.S. Cl.**
USPC **D99/43; D14/385**
(58) **Field of Classification Search**
USPC D99/28, 34, 35, 36, 43, 99;
D14/383-387, 439; D18/3.1, 3.3, 4.1,
D18/4.4, 4.5, 4.6, 12, 12.1, 49; D20/1, 2,
D20/4, 5, 6, 8, 9; D10/42
CPC .. G06Q 20/10; G06Q 20/108; G06Q 20/1085;
G06Q 20/18; G07D 1/00; G07D 1/02;
G07D 1/04; G07D 1/06; G07D 11/00;
G07D 9/002; G07D 9/04; G07F 19/20;
G07F 19/201; G07F 19/202; G07F
19/203; G07F 19/204; G07F 19/105;
G07F 19/21; G07F 19/00; G07F 7/04;
G07F 5/00; G07F 1/00; E05G 7/001;
E05G 1/006; A63H 33/00; A63H 33/005
See application file for complete search history.

* cited by examiner

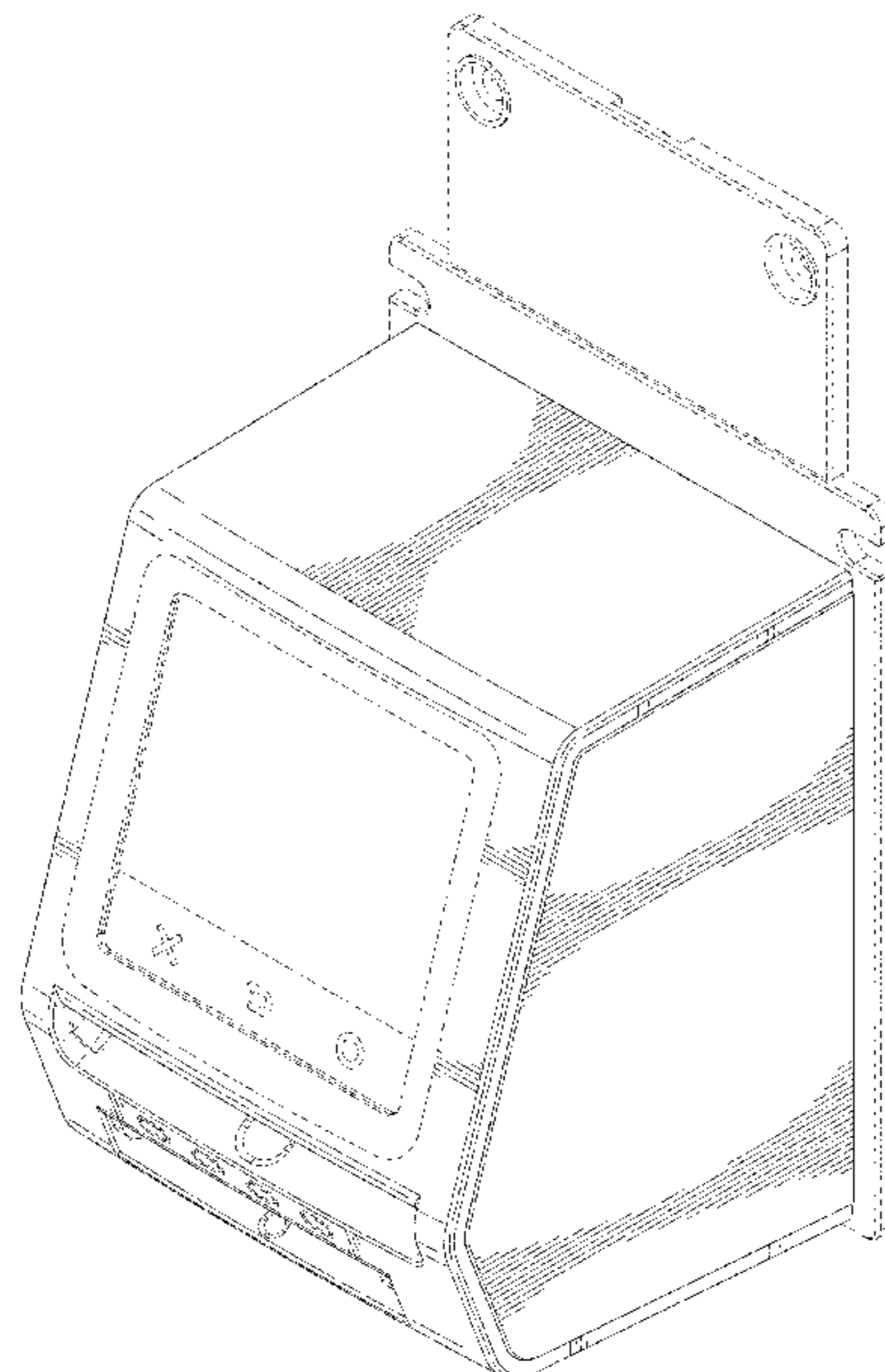
Primary Examiner — Elizabeth J Oswecki

(57) **CLAIM**
The ornamental design for a bezel, as shown and described.

DESCRIPTION

FIG. 1 is a front perspective view of a bezel, showing our new design;
FIG. 2 is a front elevation view thereof;
FIG. 3 is a rear elevation view thereof;
FIG. 4 is a right side elevation view thereof;
FIG. 5 is a left side elevation view thereof;
FIG. 6 is a top plan view thereof;
FIG. 7 is a bottom plan view thereof; and,
FIG. 8 is a bottom perspective view thereof.
The broken lines present in the drawings are included for the purpose of illustrating portions of the article which form no part of the claimed design.

1 Claim, 8 Drawing Sheets



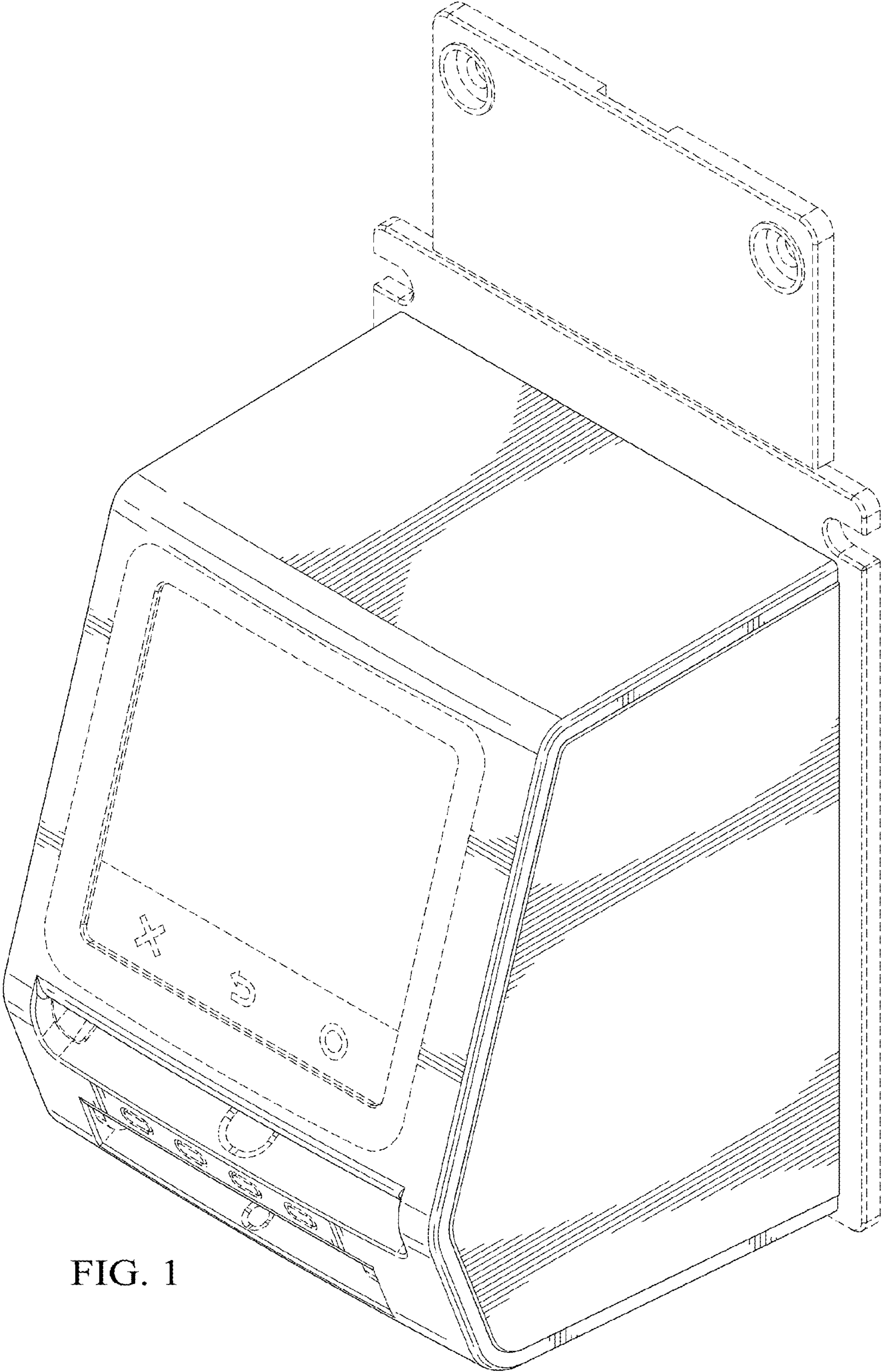


FIG. 1

FIG. 2

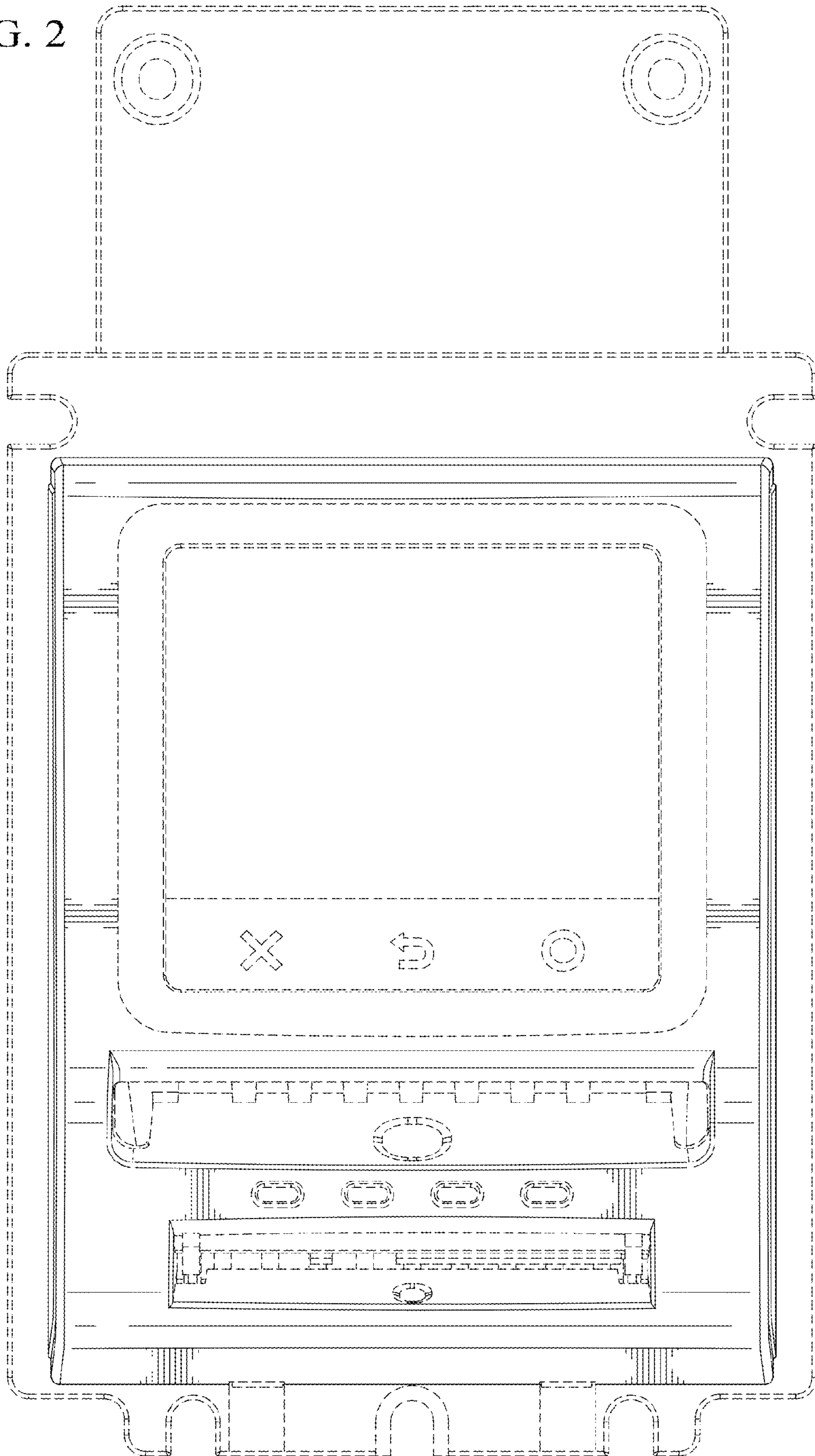
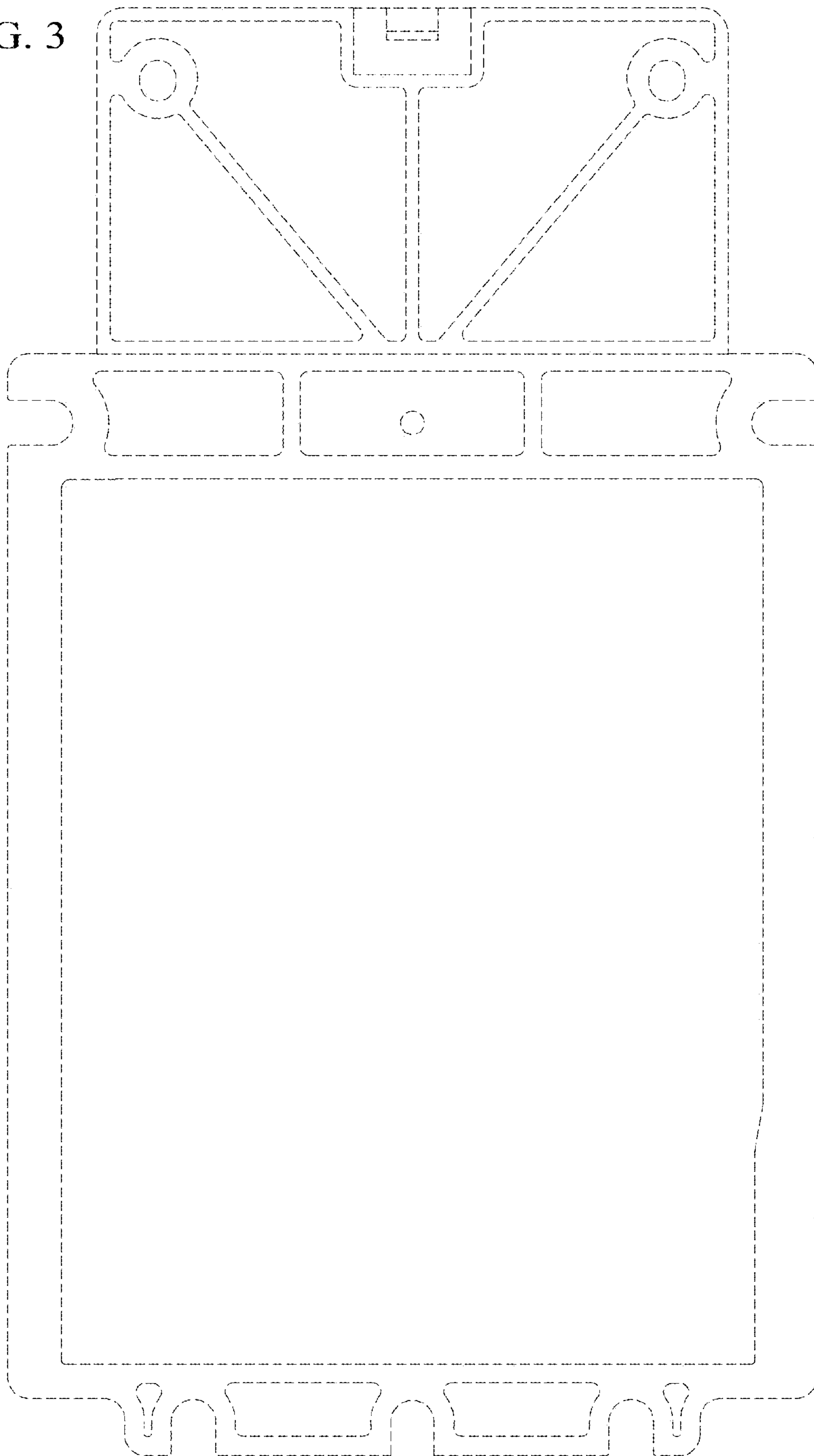


FIG. 3



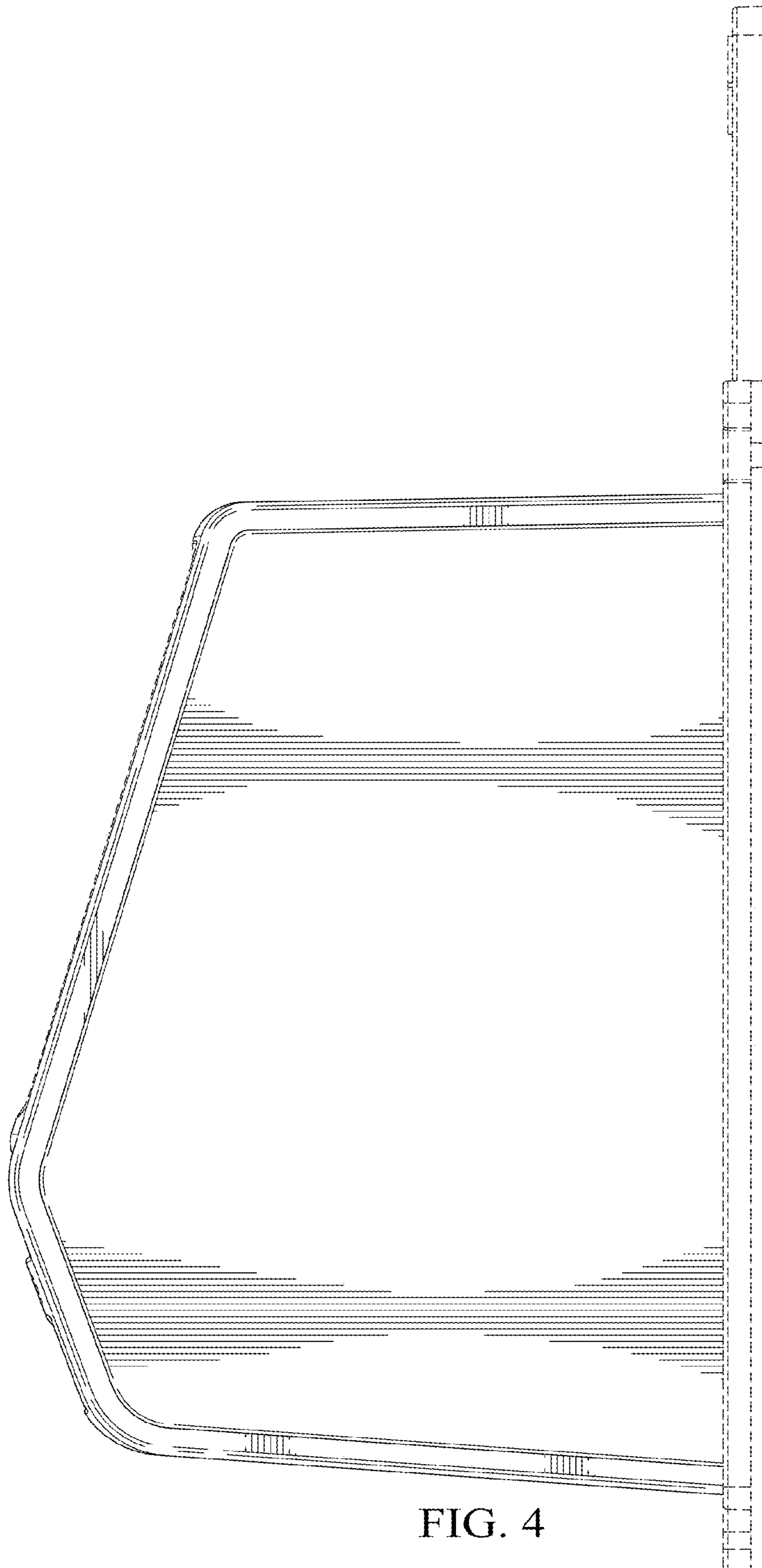


FIG. 4

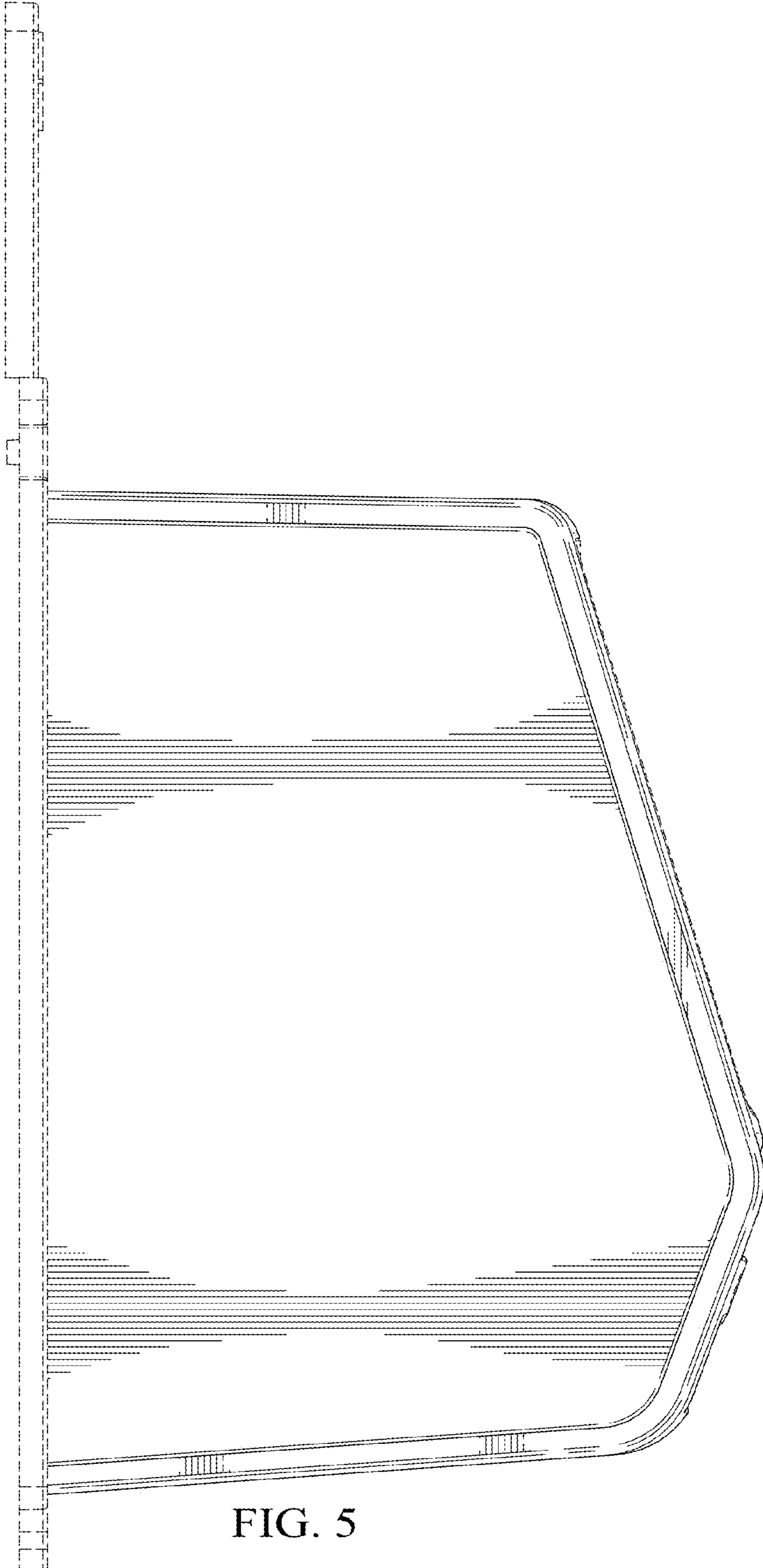


FIG. 5

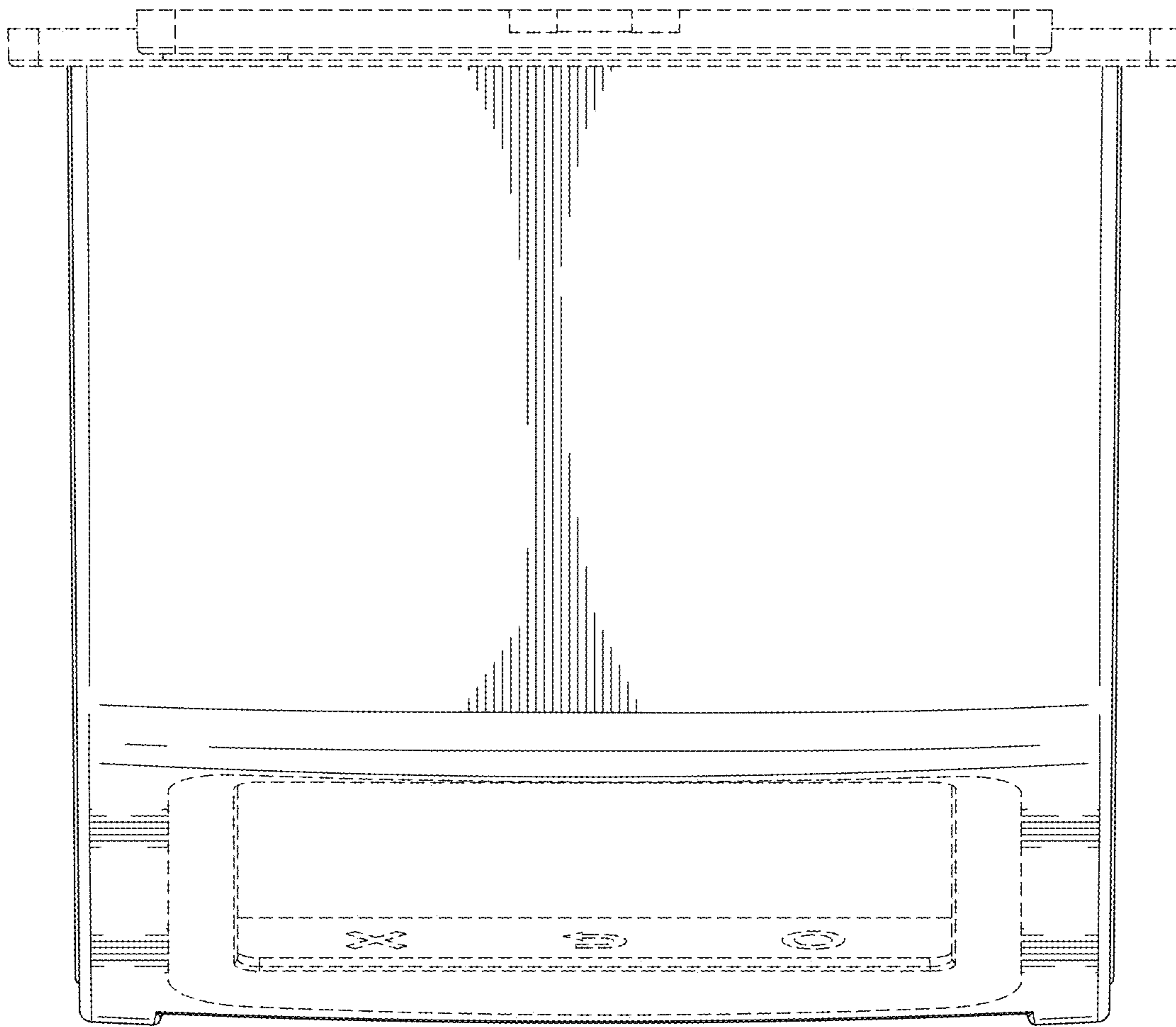


FIG. 6

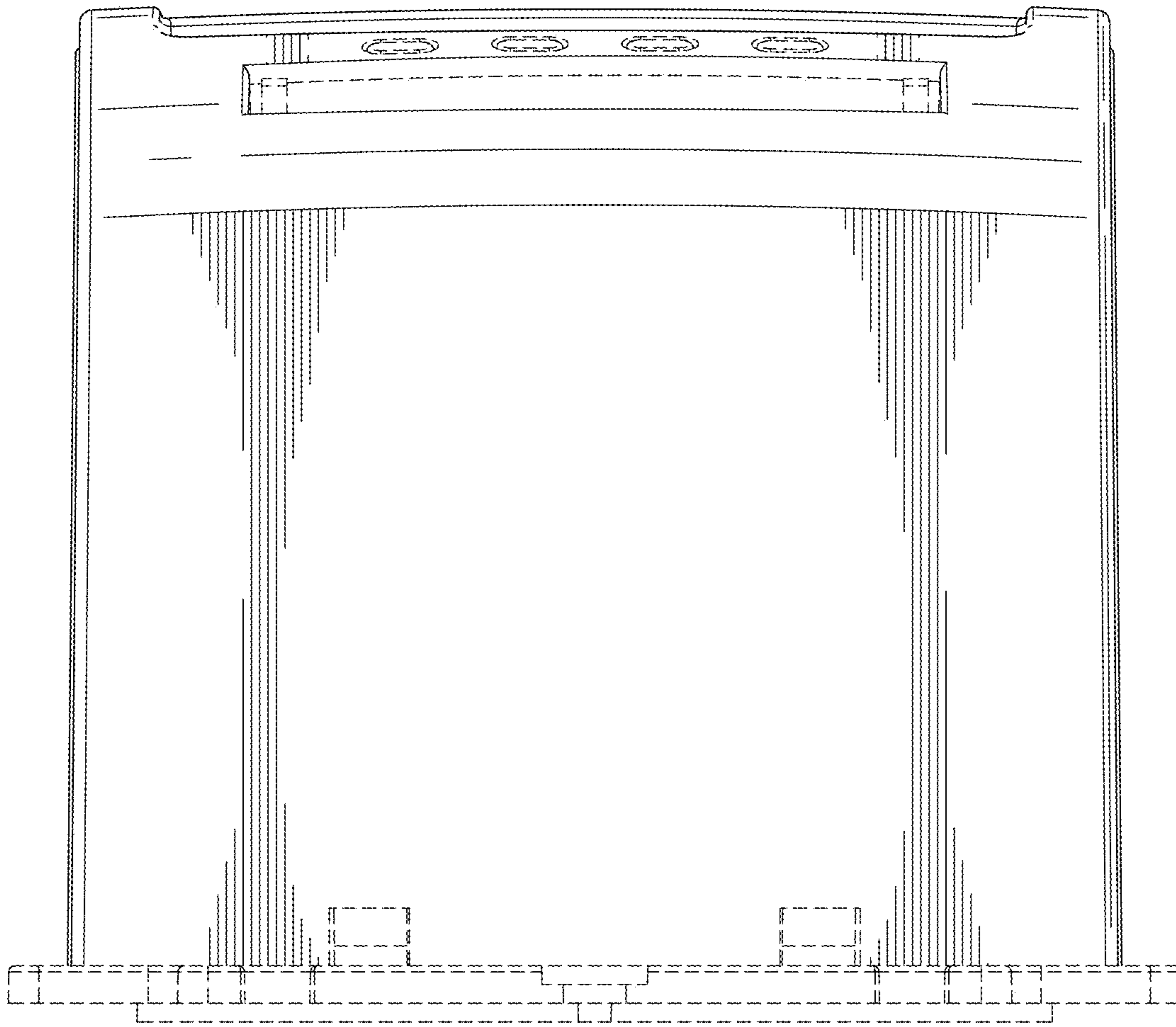


FIG. 7

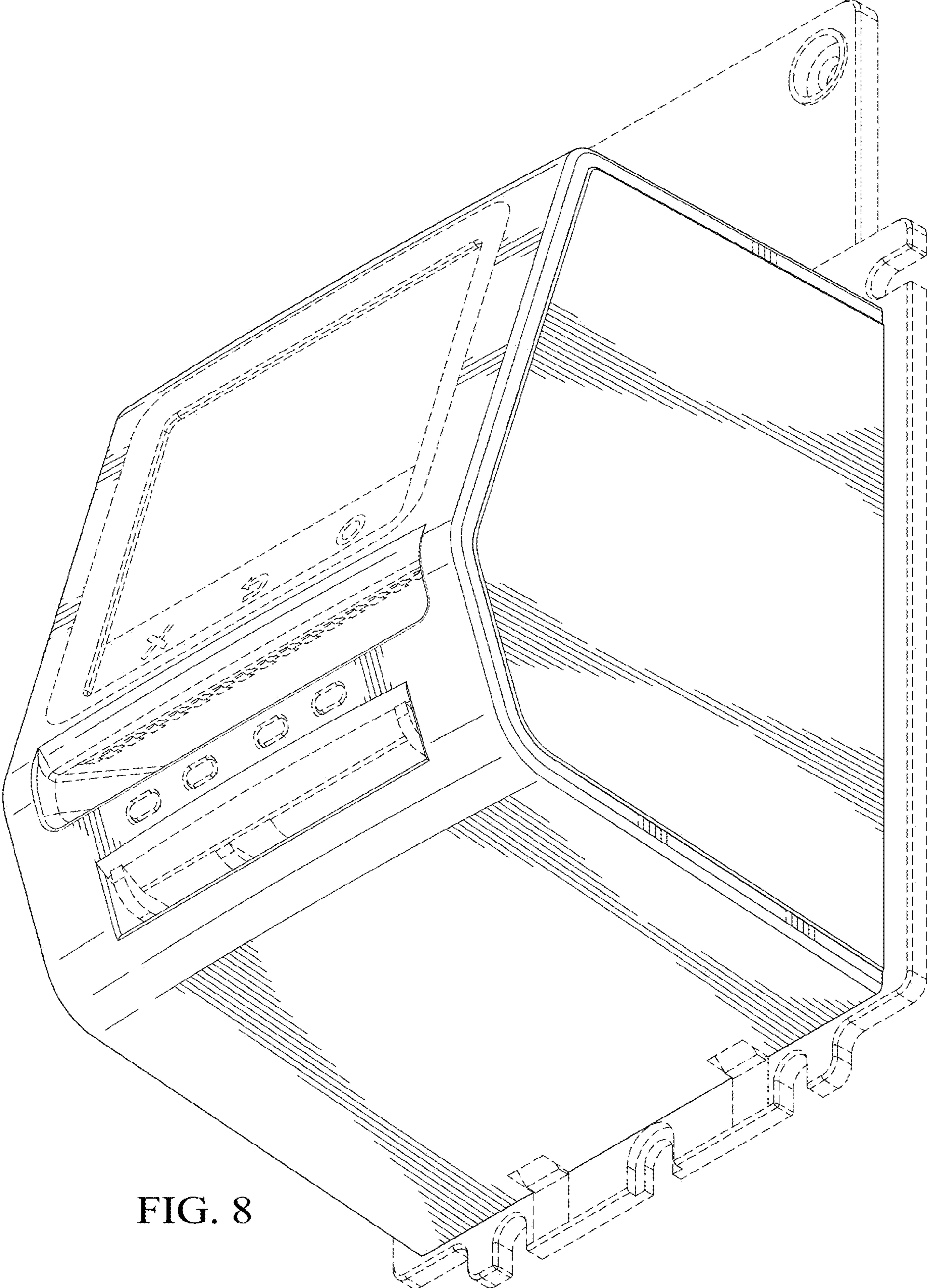


FIG. 8