



US00D919922S

(12) **United States Design Patent**
Safvi et al.

(10) **Patent No.:** **US D919,922 S**

(45) **Date of Patent:** **** May 18, 2021**

(54) **CONVEYOR BELT**

(71) Applicants: **Cambridge International, Inc.**,
Cambridge, MD (US); **Prince Castle
LLC**, Carol Stream, IL (US)

(72) Inventors: **Sajid A. Safvi**, Lombard, IL (US);
Robert E. Maine, Jr., Salisbury, MD
(US); **Thomas O. Perdue**, Salisbury,
MD (US)

(73) Assignees: **Cambridge International, Inc.**,
Cambridge, MD (US); **Prince Castle
LLC**, Carol Stream, IL (US)

(**) Term: **15 Years**

(21) Appl. No.: **29/717,450**

(22) Filed: **Dec. 17, 2019**

(51) **LOC (13) Cl.** **12-05**

(52) **U.S. Cl.**
USPC **D34/29**

(58) **Field of Classification Search**
USPC D34/28-39; D15/199; D23/269;
D12/535-539
CPC B65G 19/02; B65G 15/00; B65G 15/30;
B65G 15/58
See application file for complete search history.

(56) **References Cited**

U.S. PATENT DOCUMENTS

861,484 A	7/1907	Stewart	
2,767,824 A	10/1956	King	
3,096,875 A	7/1963	Olson	
3,854,575 A	12/1974	Fraioli, Sr.	
D278,172 S *	3/1985	Ellis	D34/33
5,358,095 A	10/1994	Curl	
5,497,874 A	3/1996	Layne	
5,628,393 A	5/1997	Steeber et al.	
6,024,637 A	2/2000	Scherch	
6,142,294 A	11/2000	Kobayashi et al.	

7,111,725 B2	9/2006	Marshall et al.
7,314,132 B2	1/2008	Layne et al.
7,987,972 B2	8/2011	Hennigar et al.
9,162,818 B2	10/2015	van den Berg et al.

(Continued)

FOREIGN PATENT DOCUMENTS

CN	306025851	*	9/2020
EP	1067065	A2	1/2001

(Continued)

Primary Examiner — George A Bugg
Assistant Examiner — Tamara L Hahn

(74) *Attorney, Agent, or Firm* — Quarles & Brady LLP

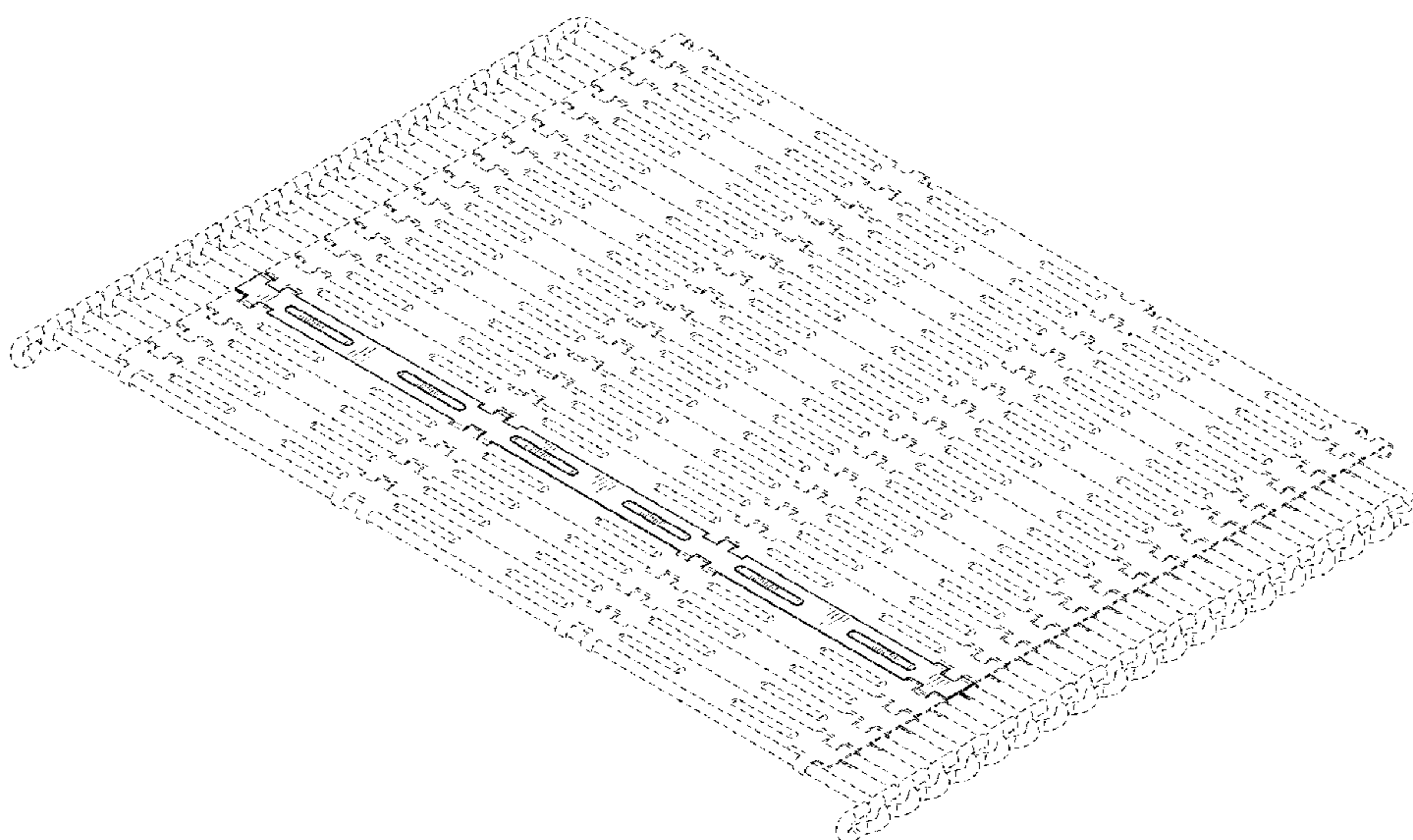
(57) **CLAIM**

The ornamental design for a conveyor belt, as shown and described.

DESCRIPTION

FIG. 1 is an isometric view of the top, front, and right side of the conveyor belt, in condition of use;
 FIG. 2 is an enlarged view thereof;
 FIG. 3 is a front elevational view of the conveyor belt of FIG. 2;
 FIG. 4 is a rear elevational view of the conveyor belt of FIG. 2;
 FIG. 5 is a right side elevational view of the conveyor belt of FIG. 2;
 FIG. 6 is a left side elevational view of the conveyor belt of FIG. 2;
 FIG. 7 is a top plan view of the conveyor belt of FIG. 2;
 FIG. 8 is a bottom plan view of the conveyor belt of FIG. 2;
 and,
 FIG. 9 is an isometric view of a bottom, rear, and left side of the conveyor belt of FIG. 2.
 The dash-dash-dash lines are included for the purpose of illustrating environmental structure and form no part of the claimed design.

1 Claim, 5 Drawing Sheets



(56)

References Cited

U.S. PATENT DOCUMENTS

9,889,992 B1 2/2018 Adomaitis et al.
2008/0203046 A1* 8/2008 Friesen B66C 1/16
212/274
2010/0275789 A1 11/2010 Lee et al.
2011/0233031 A1* 9/2011 Brayman B65G 13/071
198/833
2019/0077605 A1 3/2019 Patel et al.
2020/0165067 A1* 5/2020 Trentini B65G 17/38

FOREIGN PATENT DOCUMENTS

JP H06141985 A 5/1994
JP 2003118820 4/2003

* cited by examiner

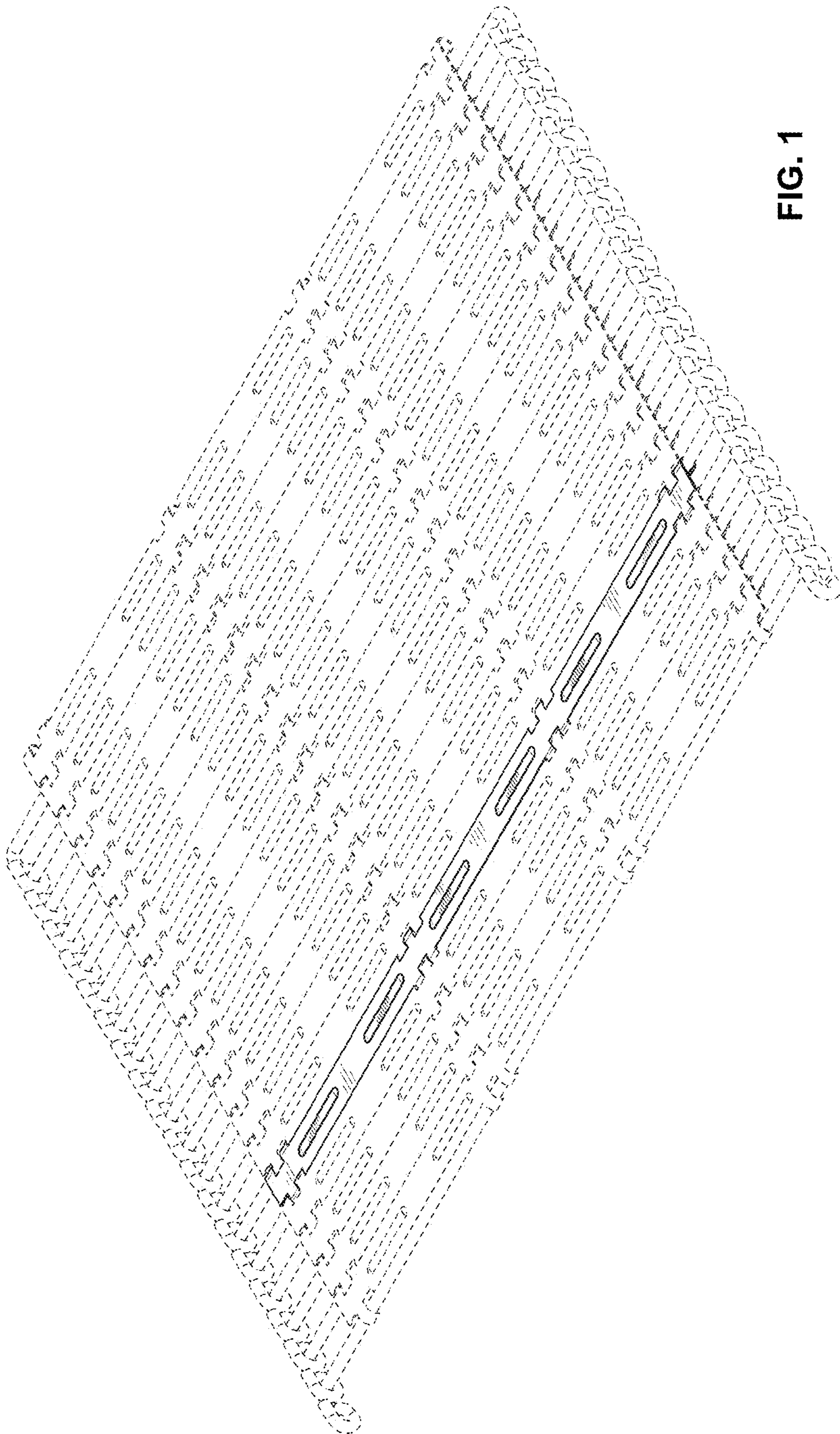


FIG. 1

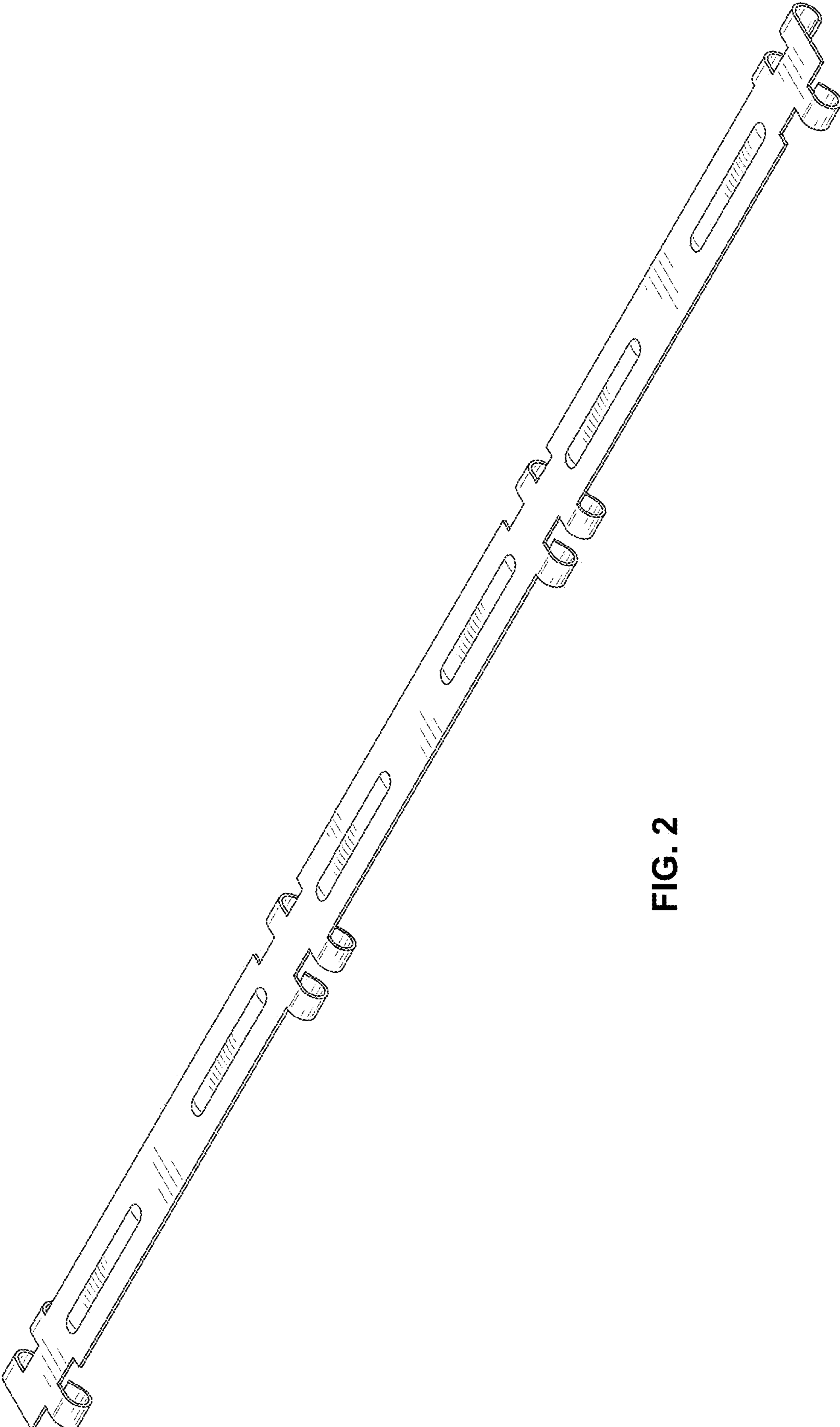


FIG. 2

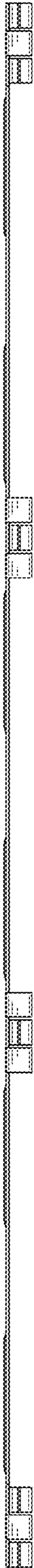


FIG. 3

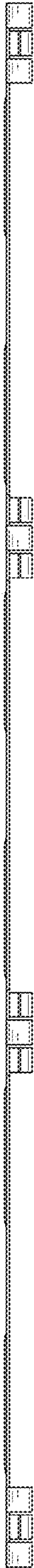


FIG. 4

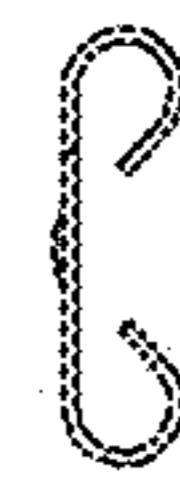


FIG. 5

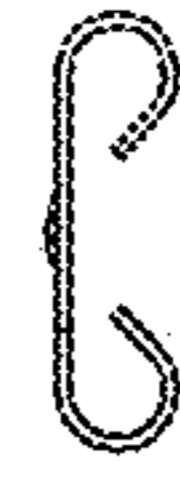


FIG. 6

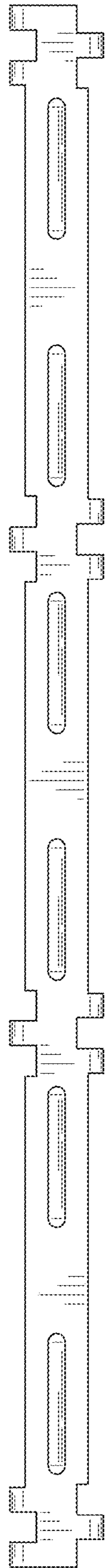


FIG. 7

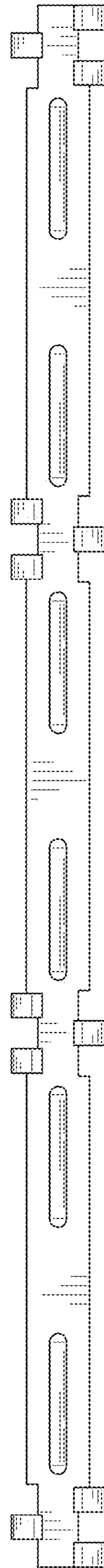


FIG. 8

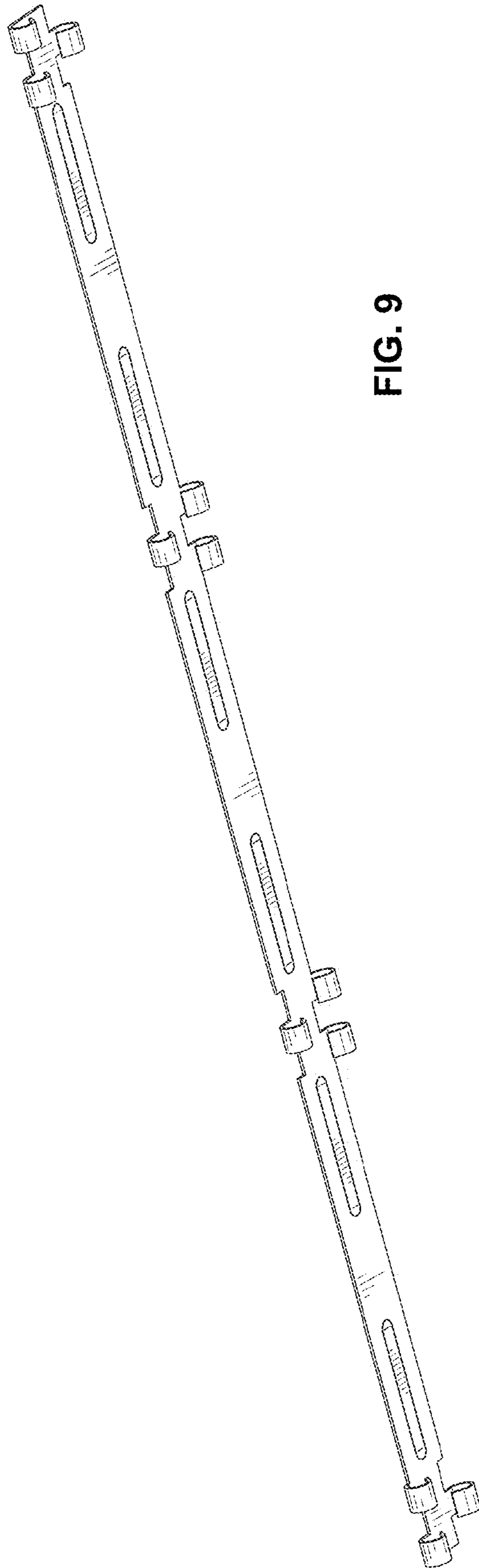


FIG. 9