



US00D919921S

(12) **United States Design Patent**
McMurtrey

(10) **Patent No.:** **US D919,921 S**

(45) **Date of Patent:** **** May 18, 2021**

(54) **CART**

D742,612 S * 11/2015 Walter D34/21
D838,427 S * 1/2019 Magnusson D34/12

(71) Applicant: **Unarco Industries LLC**, Wagoner, OK (US)

* cited by examiner

(72) Inventor: **Wesley McMurtrey**, Bixby, OK (US)

Primary Examiner — Gino Colan

(73) Assignee: **Unarco Industries LLC**, Wagoner, OK (US)

(74) *Attorney, Agent, or Firm* — Arnold & Porter Kaye Scholer

(**) Term: **15 Years**

(57) **CLAIM**

(21) Appl. No.: **29/676,039**

The ornamental design for a cart, as shown and described.

(22) Filed: **Jan. 8, 2019**

DESCRIPTION

(51) **LOC (13) Cl.** **12-02**

(52) **U.S. Cl.**
USPC **D34/27**

(58) **Field of Classification Search**
USPC D34/12, 17, 20, 21, 22, 23, 26, 27;
280/47.26, 47.29, 651
CPC B62B 1/12; B60B 37/10; B60B 2200/43
See application file for complete search history.

FIG. 1 is a top, front, right perspective view of a cart showing my new design;
FIG. 2 is a right side view thereof;
FIG. 3 is a left side view thereof;
FIG. 4 is a rear view thereof;
FIG. 5 is a front view thereof;
FIG. 6 is a top view thereof; and,
FIG. 7 is a bottom view thereof.

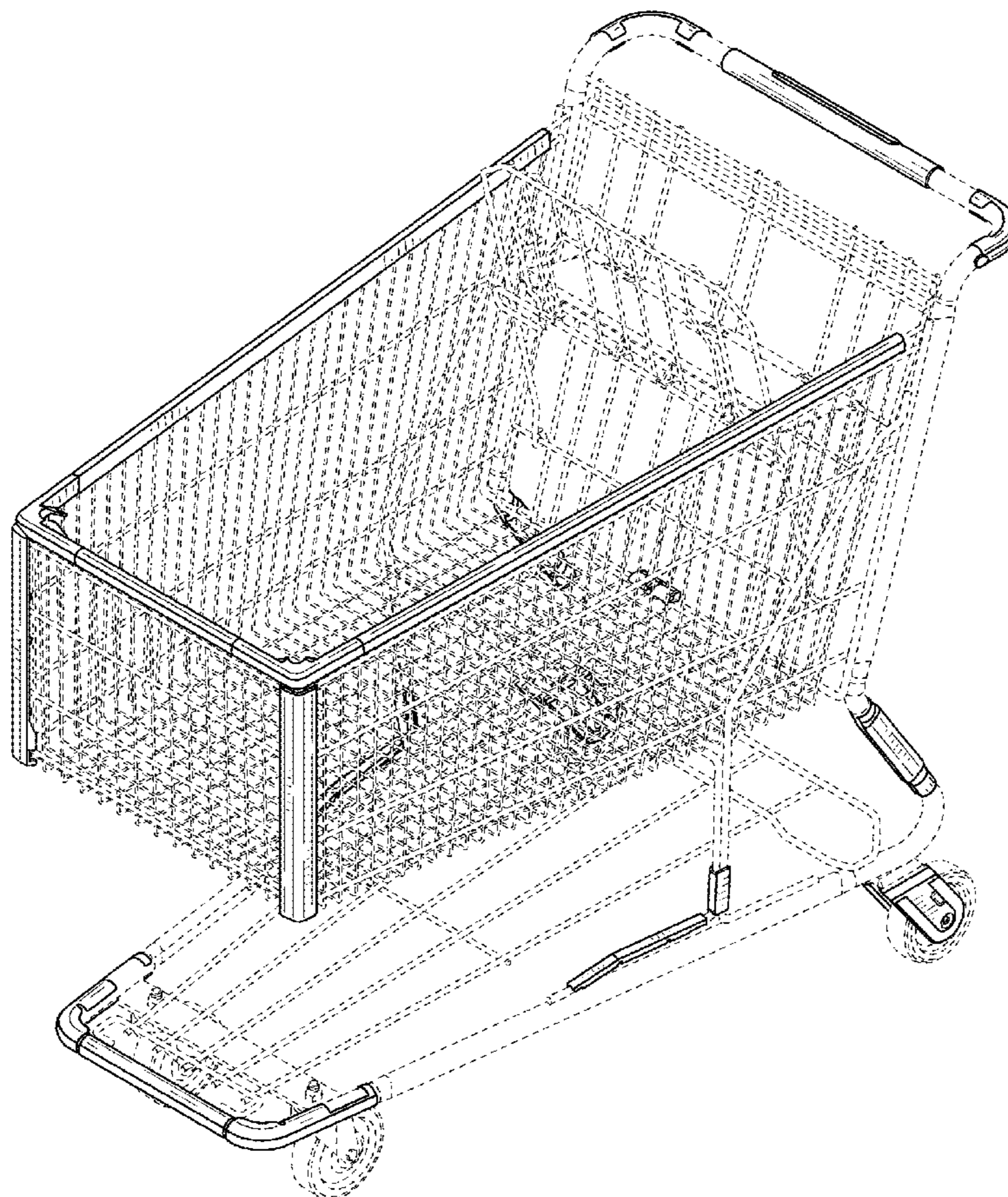
The broken lines immediately adjacent to the shaded area define the bounds of the claimed design and form no part thereof. The broken lines depicting the remainder of the cart show features that form no part of the claimed design.

(56) **References Cited**

U.S. PATENT DOCUMENTS

D654,242 S * 2/2012 Berthiaume D34/27
D659,936 S * 5/2012 Berthiaume D34/27

1 Claim, 7 Drawing Sheets



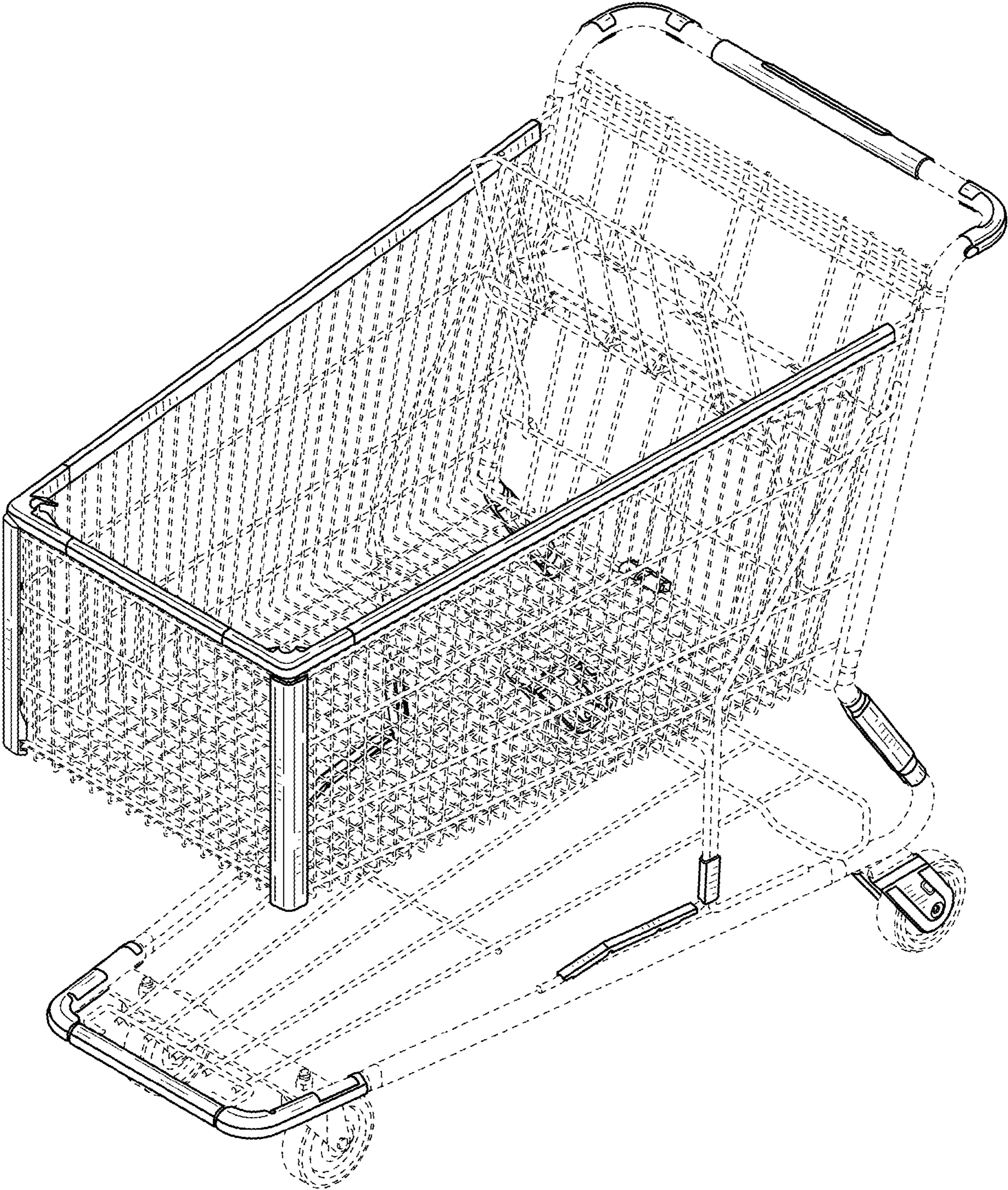


FIG. 1

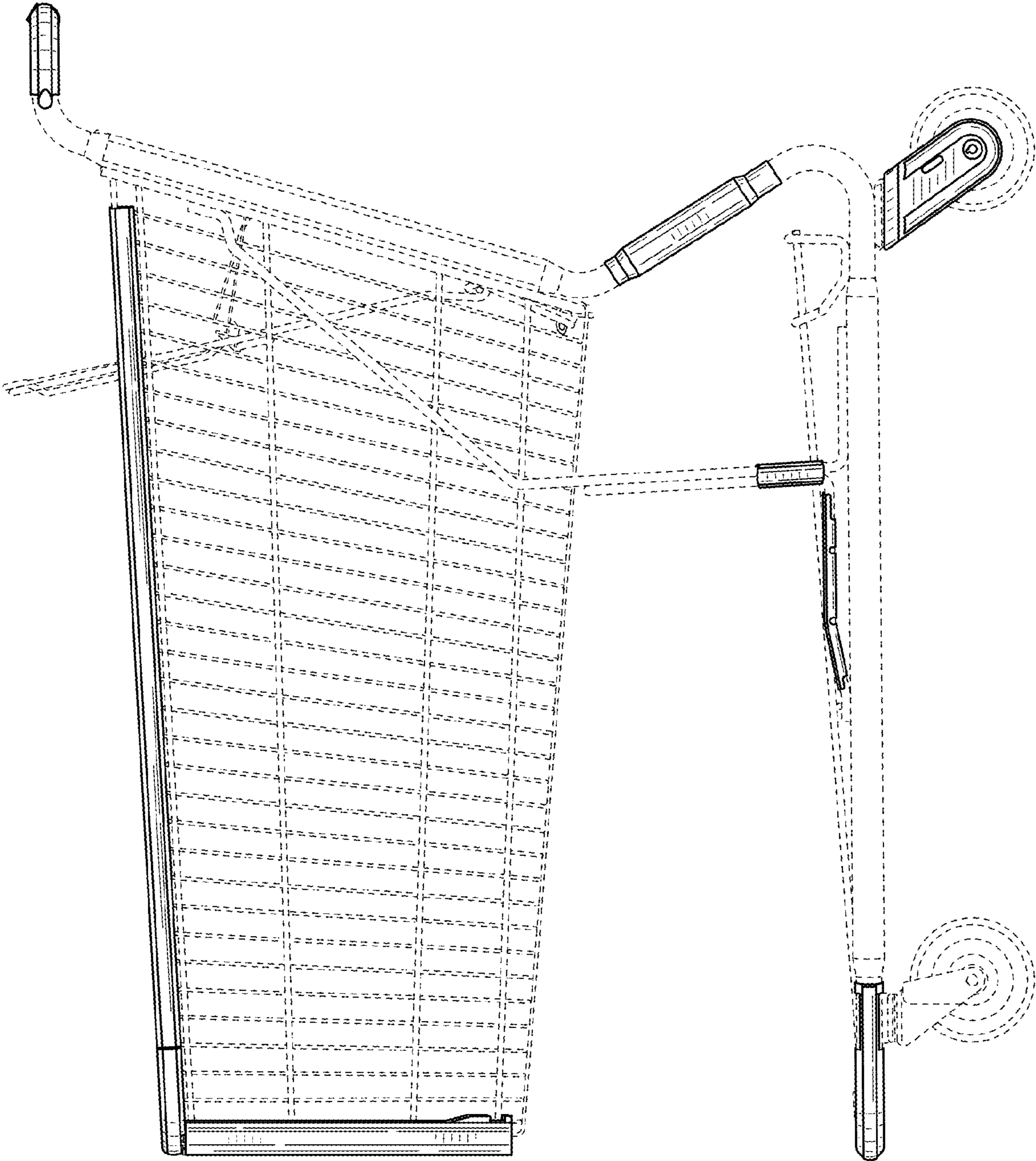


FIG. 2

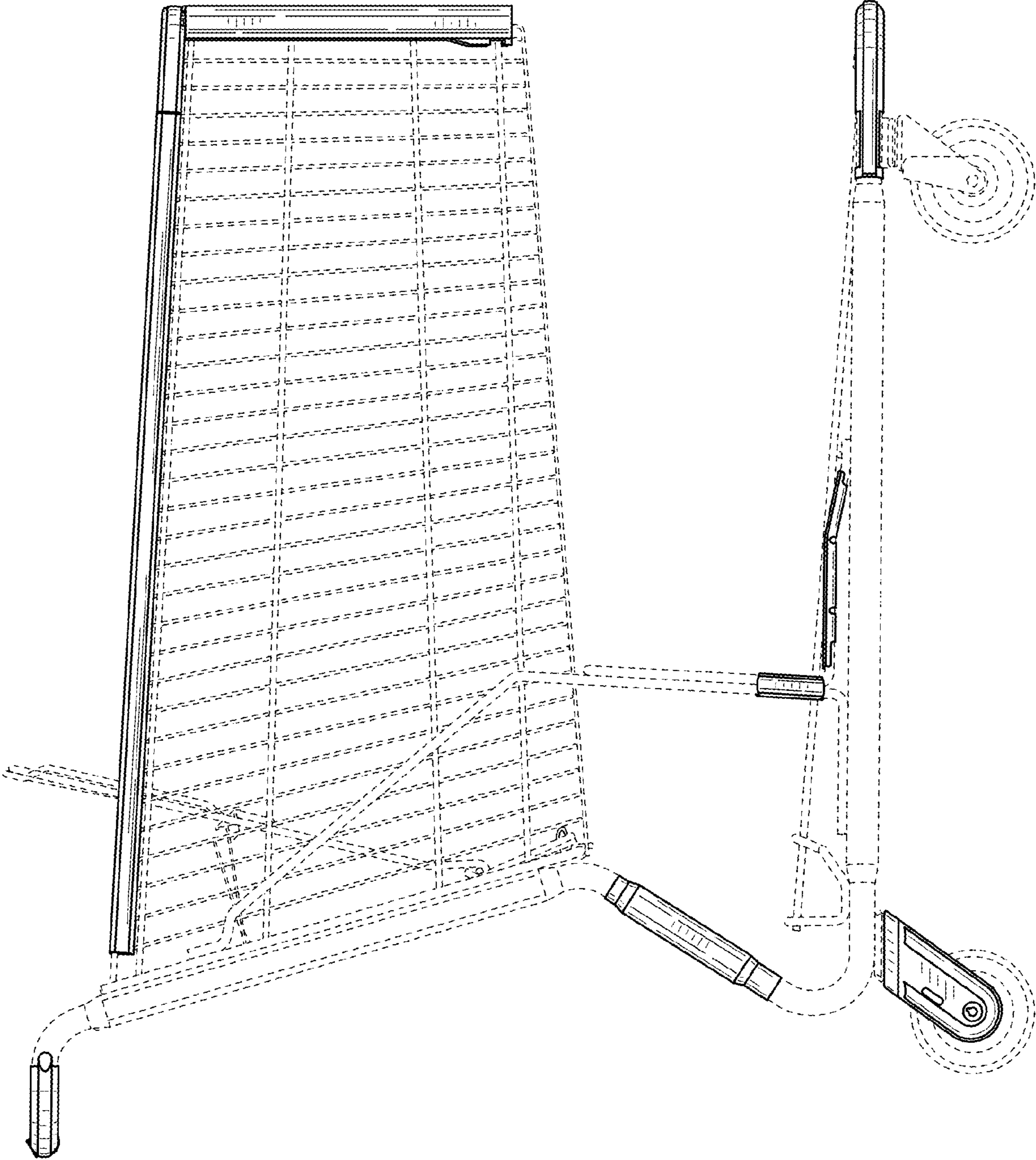


FIG. 3

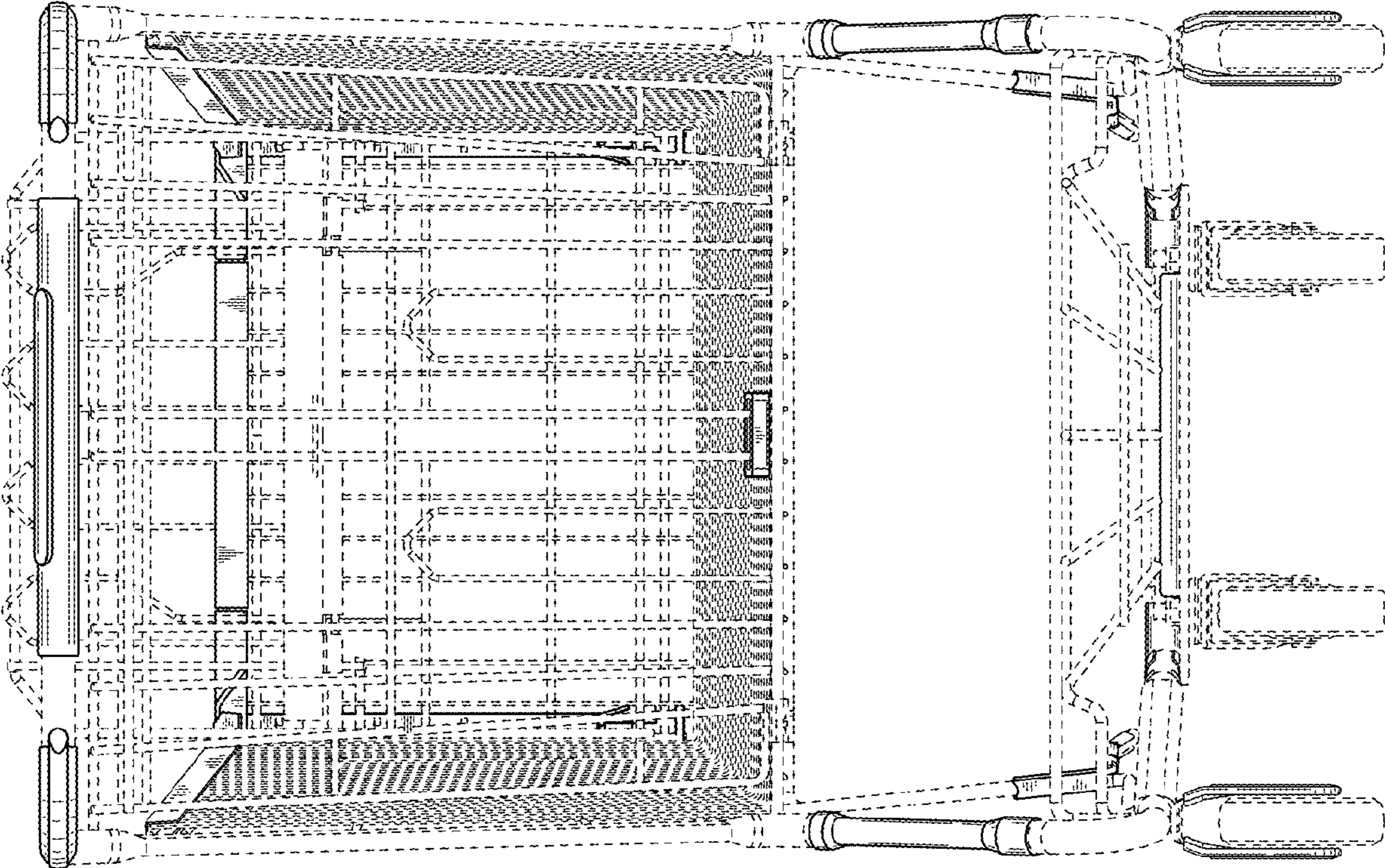


FIG. 4

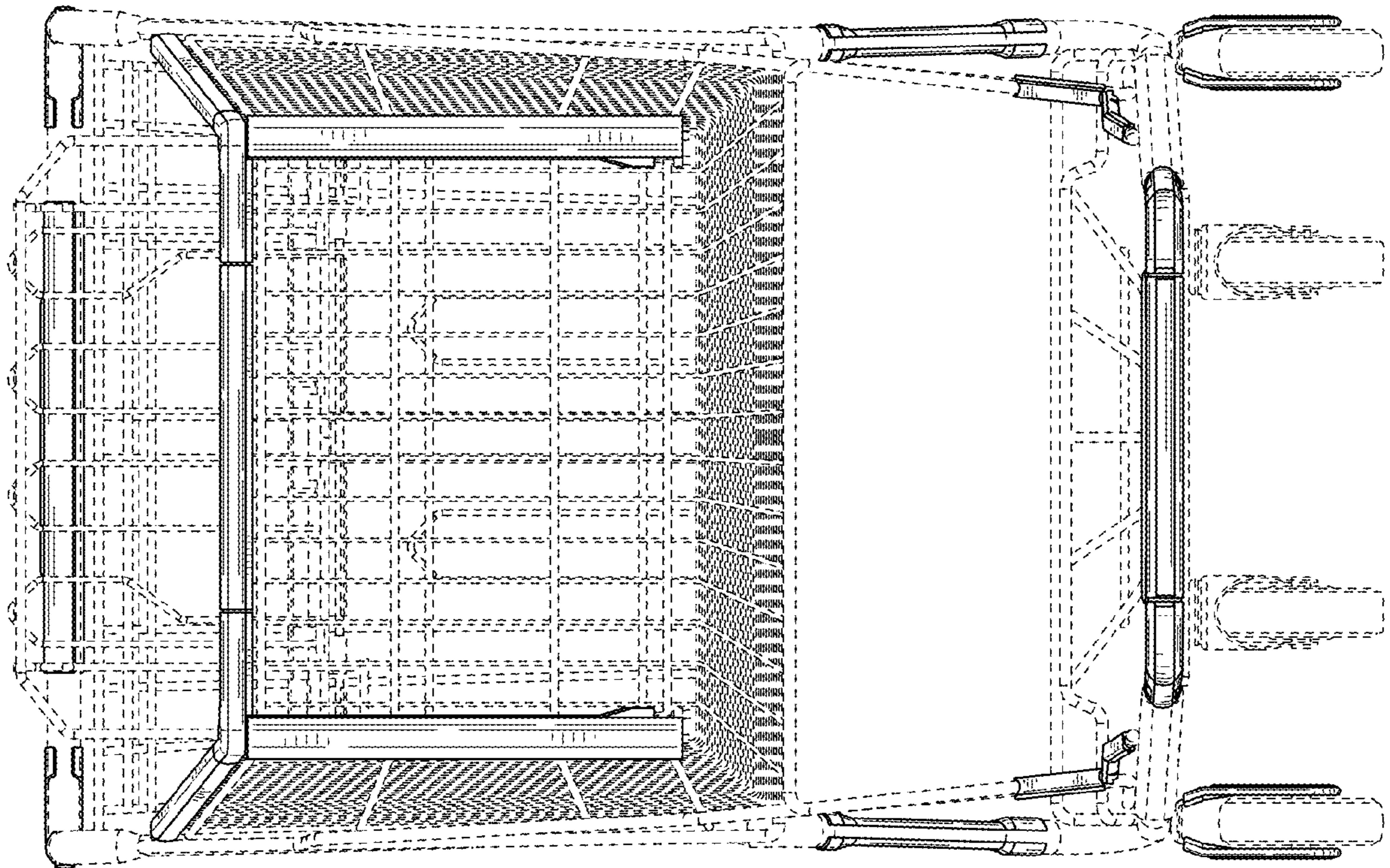


FIG. 5

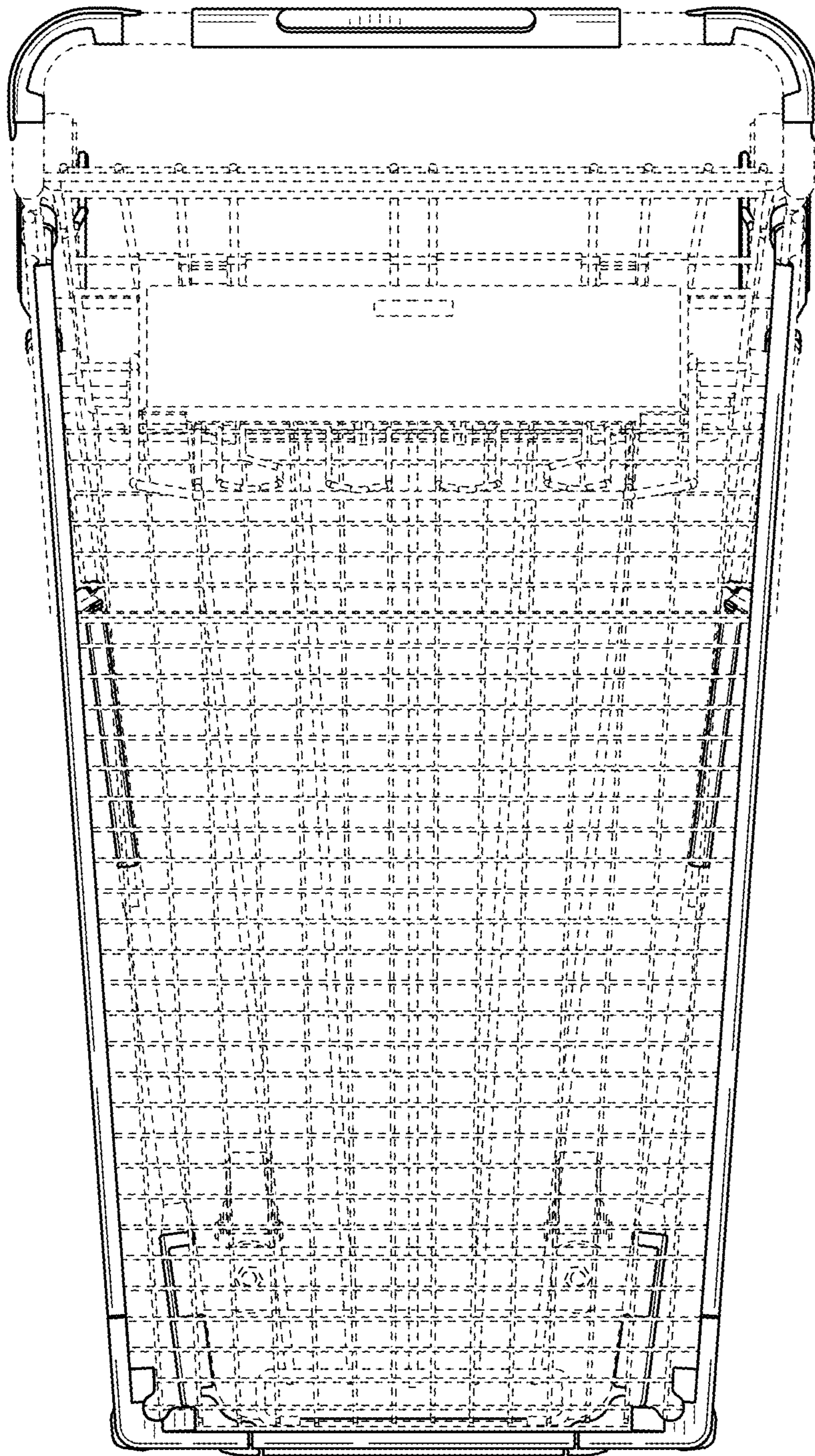


FIG. 6

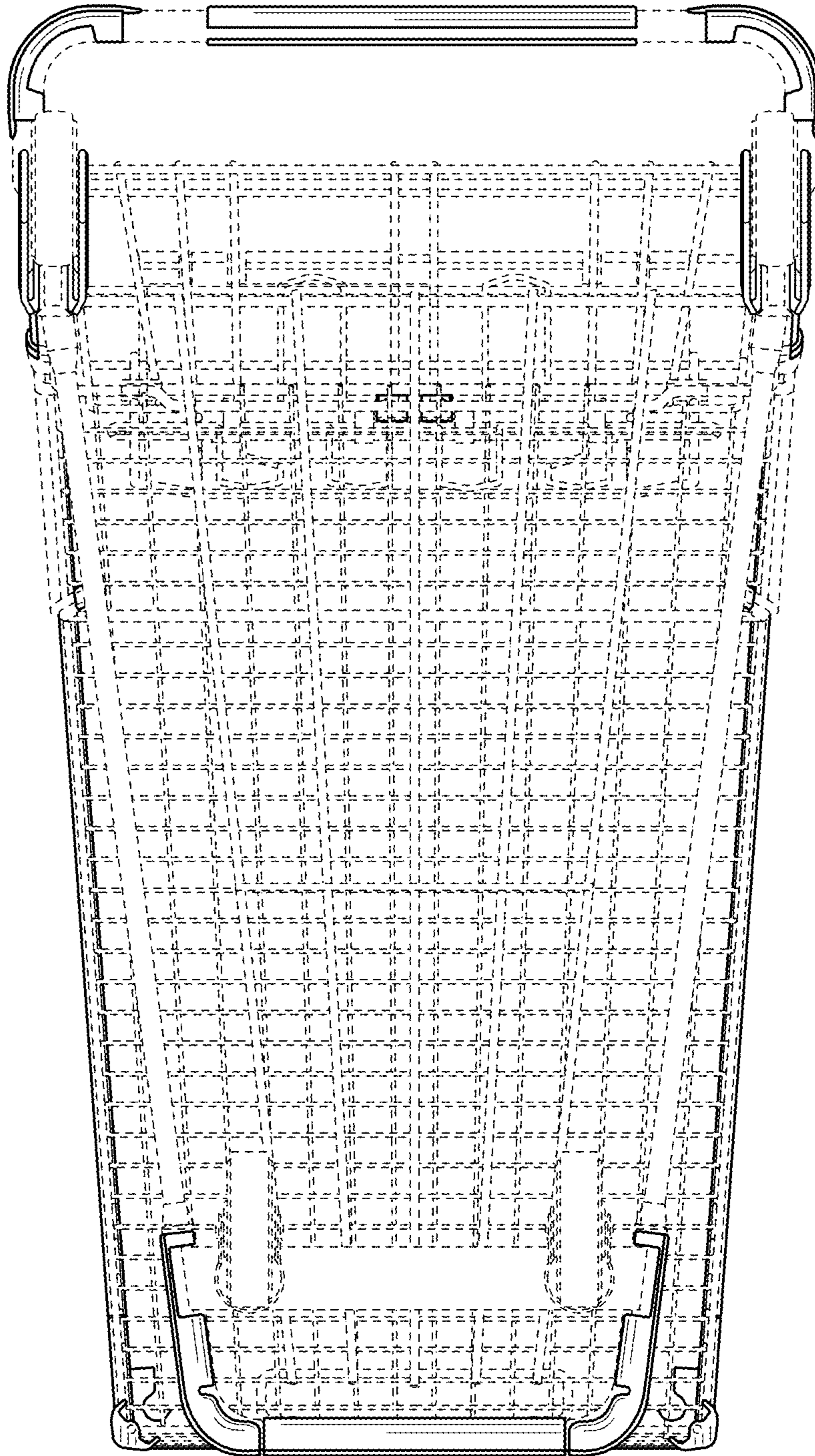


FIG. 7