



US00D919920S

(12) **United States Design Patent**
Käsner

(10) **Patent No.:** **US D919,920 S**

(45) **Date of Patent:** **** May 18, 2021**

(54) **FOLDABLE DISC GOLF CART**

(56) **References Cited**

(71) Applicant: **GROUND EQUIPMENT OÜ**, Elva
(EE)

U.S. PATENT DOCUMENTS

(72) Inventor: **Taavi Käsner**, Elva (EE)

4,743,040 A * 5/1988 Breveglieri B62B 3/10
280/47.35

(**) Term: **15 Years**

D381,172 S * 7/1997 Jackson D34/24

(21) Appl. No.: **35/509,071**

D583,122 S * 12/2008 Ralph D34/24

(22) Filed: **Jan. 9, 2020**

D633,271 S * 2/2011 Casey D34/26

(80) **Hague Agreement Data**

D802,241 S * 11/2017 Hlavac D34/24

Int. Filing Date: **Jan. 9, 2020**

D826,510 S * 8/2018 Brunner D34/24

Int. Reg. No.: **DM/207034**

2012/0160577 A1 * 6/2012 Anasiewicz B62D 51/04
180/19.1

Int. Reg. Date: **Jan. 9, 2020**

Int. Reg. Pub. Date: **Apr. 17, 2020**

* cited by examiner

(51) **LOC (13) Cl.** **12-02**

Primary Examiner — Michael A. Pratt

(52) **U.S. Cl.**

(57) **CLAIM**

USPC **D34/24**

The ornamental design for a foldable disc golf cart, as shown and described.

(58) **Field of Classification Search**

USPC D34/12, 15, 24, 27

CPC B62B 2202/404; B62B 3/02; B62B 3/10;

B62B 2501/065; A63B 71/0036; A63B

67/06; A63H 33/18

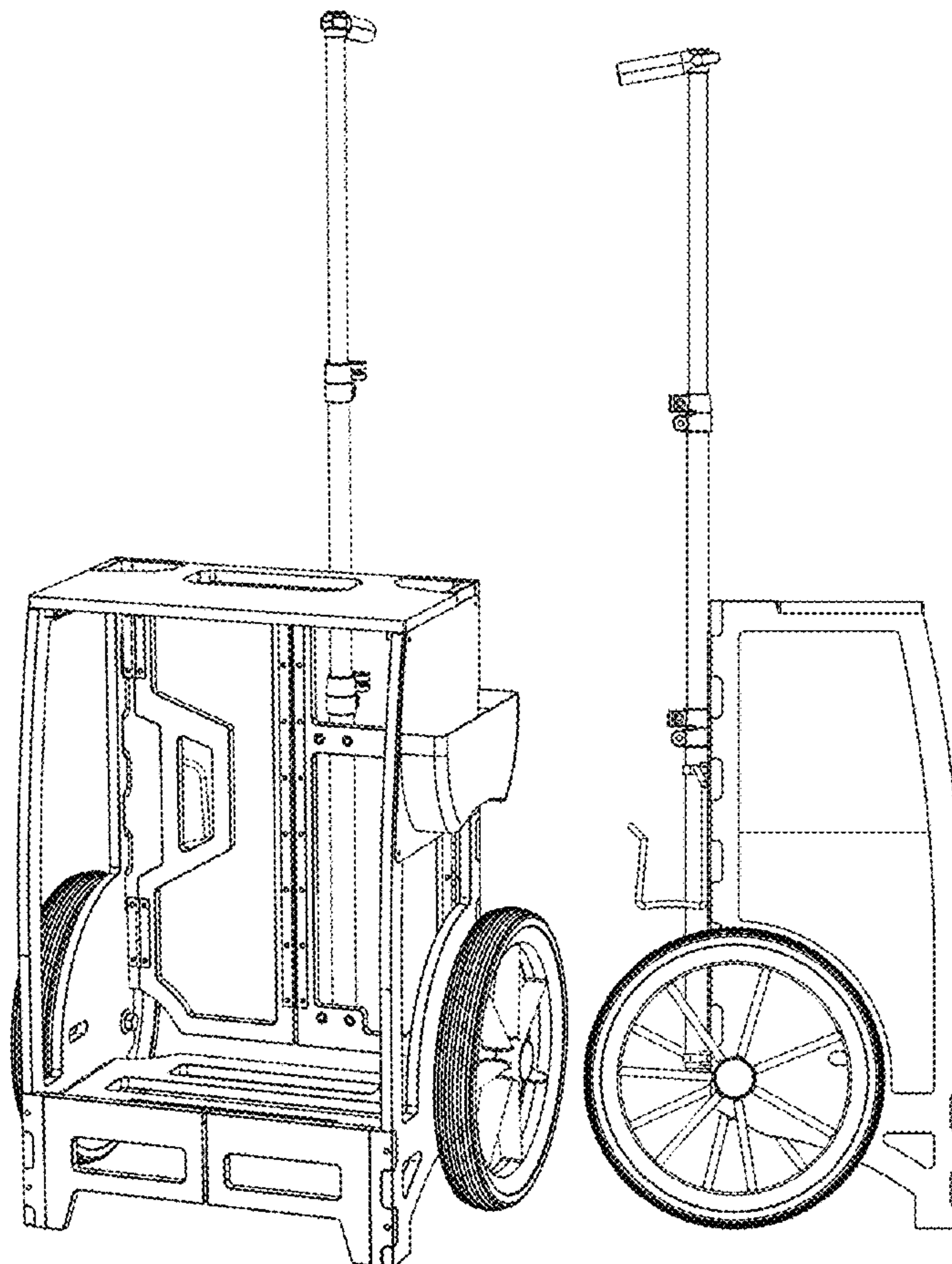
See application file for complete search history.

DESCRIPTION

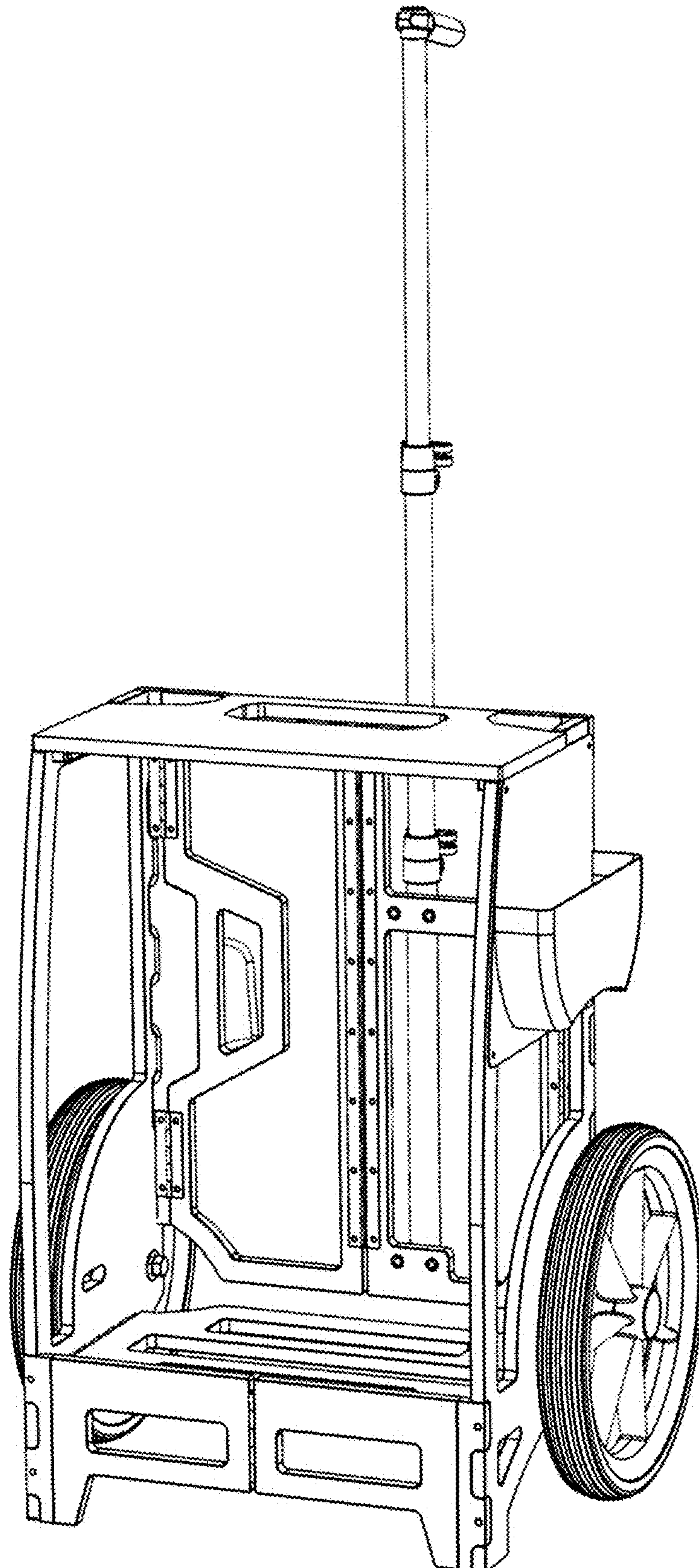
1. Foldable disc golf cart

Fig. 1.1 is a perspective view of the foldable disc golf cart; fig. 1.2 is a front view thereof; fig. 1.3 is a back view thereof; fig. 1.4 is a right side view thereof; fig. 1.5 is a left side view thereof; fig. 1.6 is a top view thereof; fig. 1.7 is a bottom view thereof.

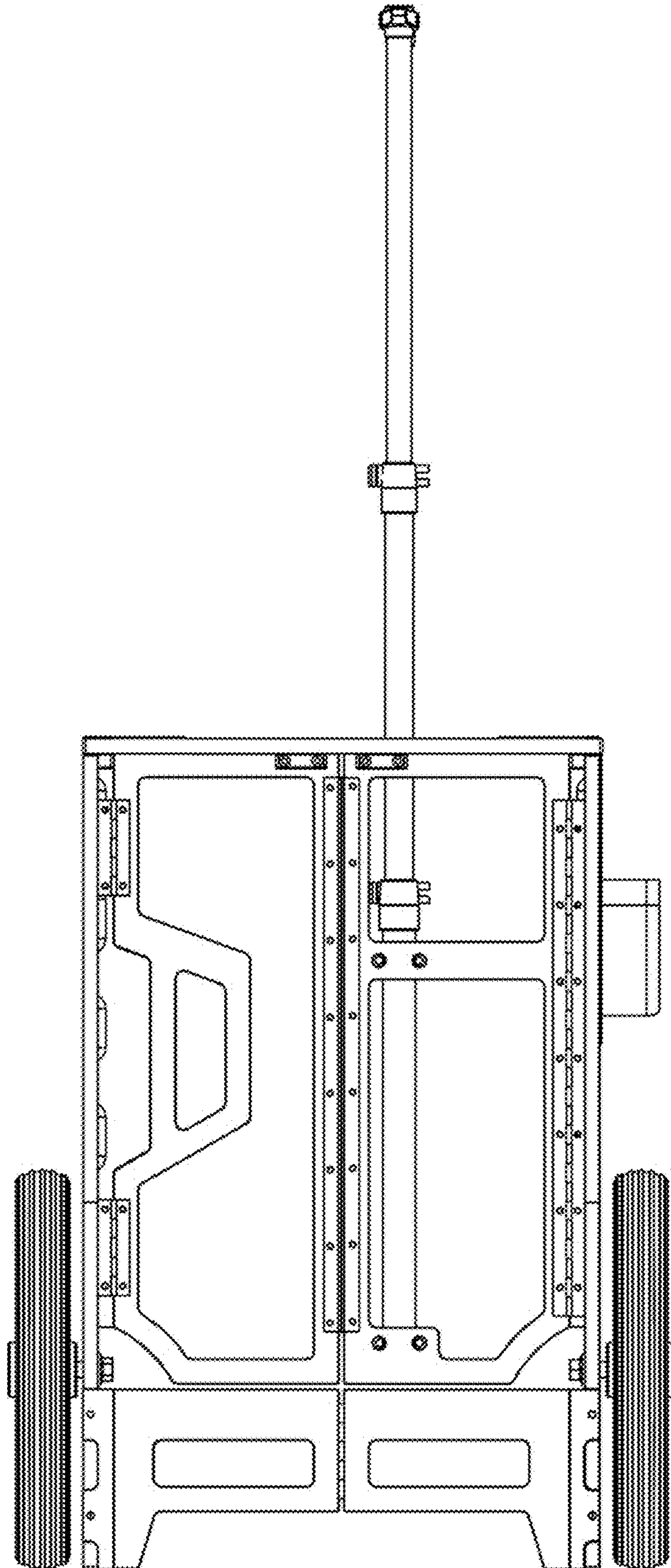
1 Claim, 7 Drawing Sheets



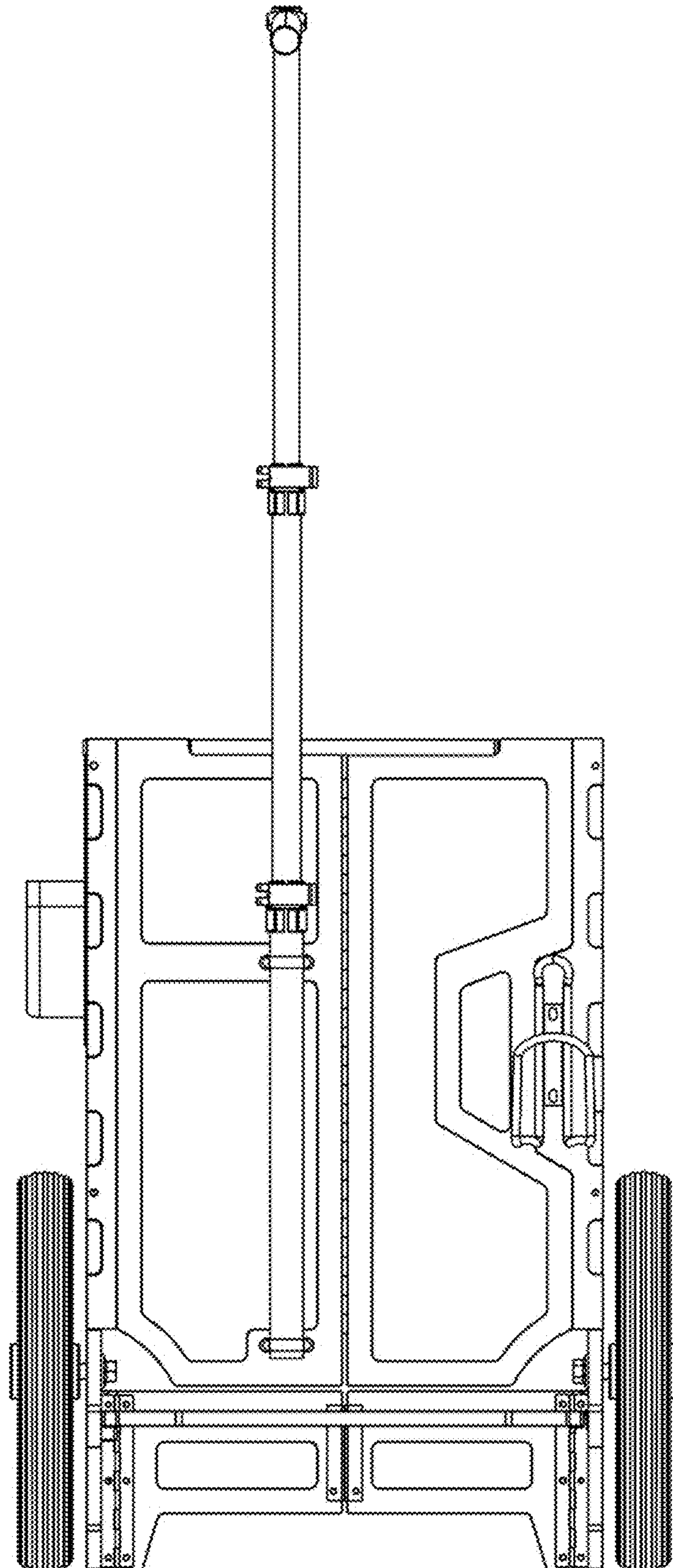
1.1



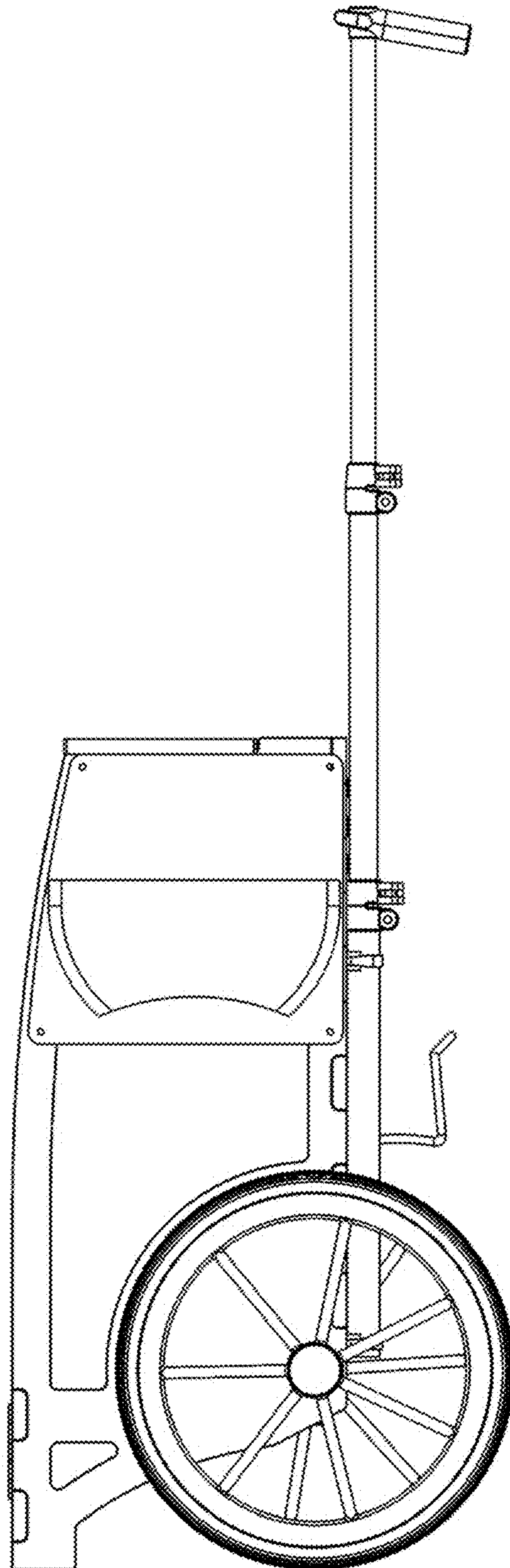
1.2



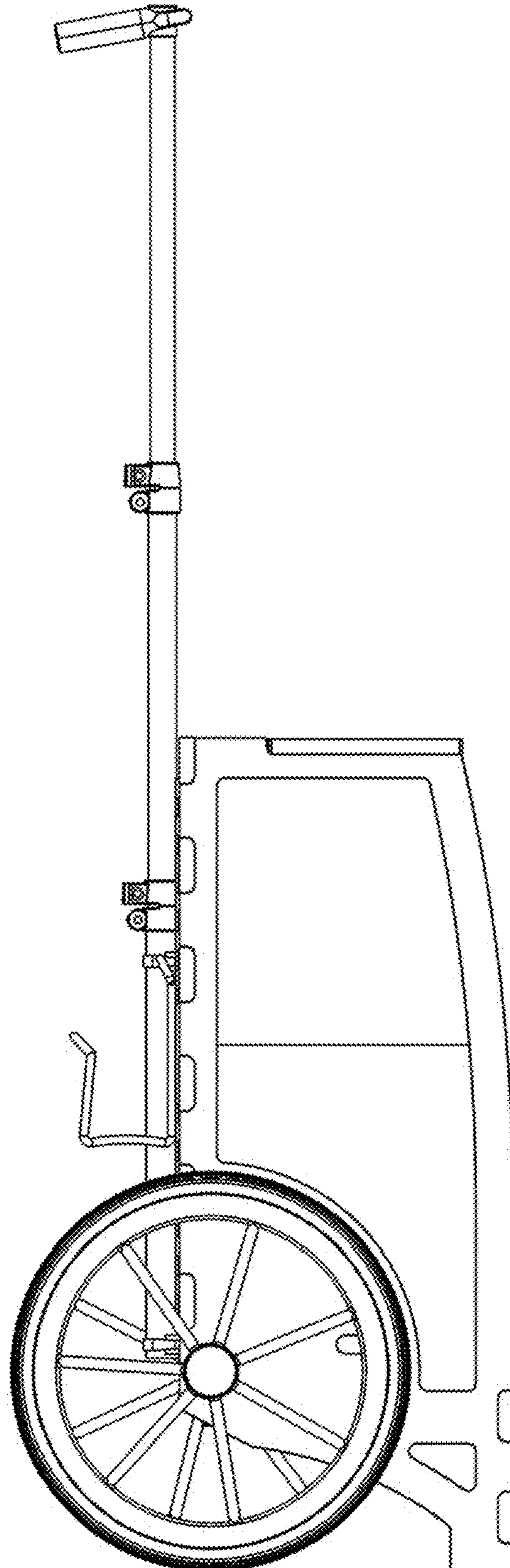
1.3



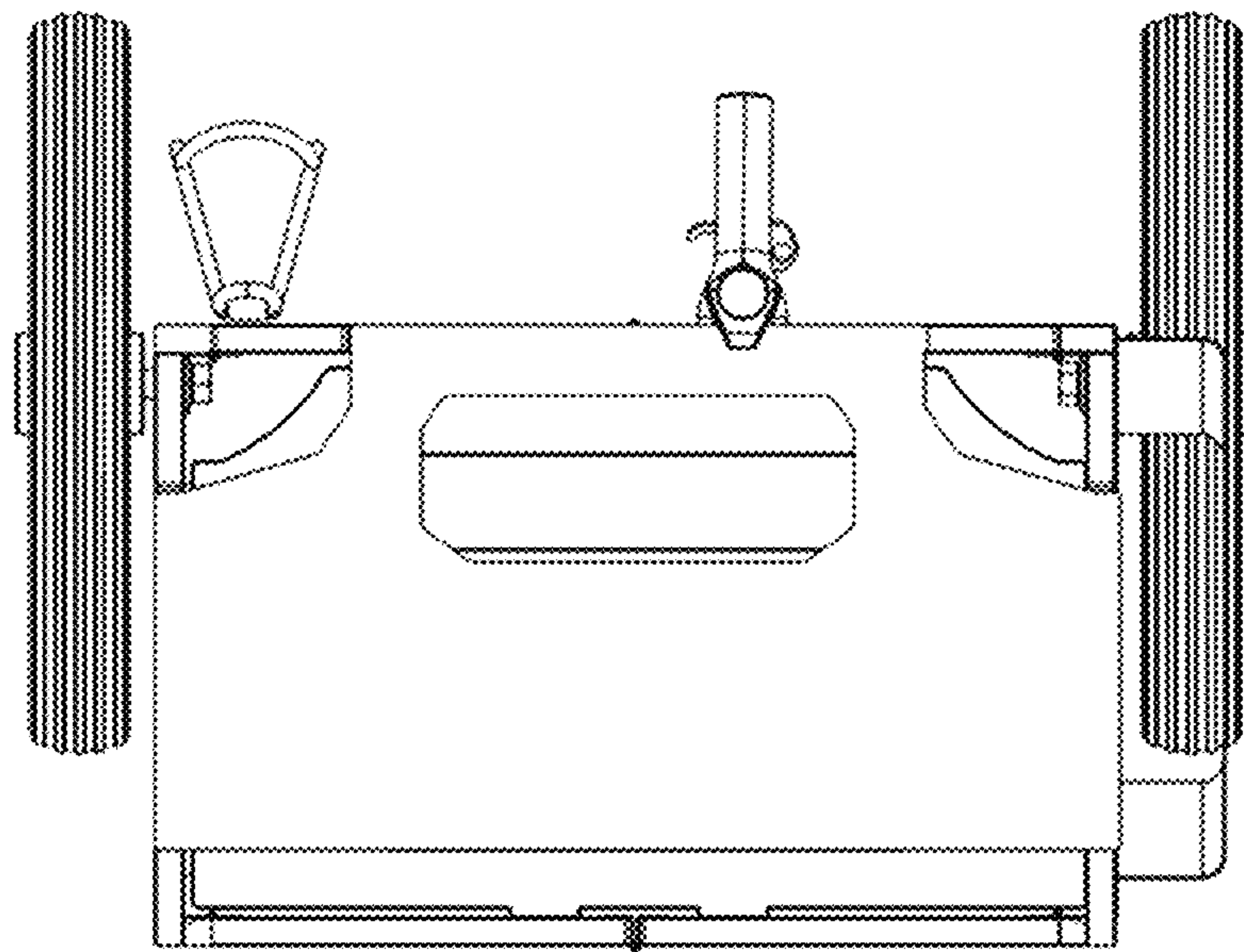
1.4



1.5



1.6



1.7

