



US00D919919S

(12) **United States Design Patent**
Kuhls

(10) **Patent No.:** **US D919,919 S**

(45) **Date of Patent:** **** May 18, 2021**

(54) **HAND TRUCK**

5,947,492 A * 9/1999 Hallberg, Jr. B62B 1/002
280/47.24

(71) Applicant: **TANOS GmbH Verpacken Ordnen
Präsentieren**, Illertissen (DE)

D638,191 S * 5/2011 Goth D34/24

D671,291 S * 11/2012 Spann D34/14

D758,687 S * 6/2016 Shitrit D34/12

D819,291 S * 5/2018 Turcotte D34/5

2015/0208780 A1 * 7/2015 Avery A45C 13/385

280/652

(72) Inventor: **Timo Kuhls**, Stuttgart (DE)

(73) Assignee: **TANOS GMBH VERPACKEN
ORDNEN PRÄSENTIEREN**,
Illertissen (DE)

* cited by examiner

(**) Term: **15 Years**

Primary Examiner — Gino Colan

(21) Appl. No.: **29/671,686**

(74) *Attorney, Agent, or Firm* — Hoffmann & Baron, LLP

(22) Filed: **Nov. 29, 2018**

(57) **CLAIM**

(30) **Foreign Application Priority Data**

The ornamental design for a hand truck, as shown and described.

Jun. 1, 2018 (WO) 7711701

(51) **LOC (13) Cl.** **12-02**

(52) **U.S. Cl.**
USPC **D34/24**

(58) **Field of Classification Search**

USPC D34/12-27, 5; 280/47.31, 47.315, 47.18,
280/47.26, 653, 47.24, 651, 47.19, 47.35,
280/655, 47.34, 47.17, 47.371, 204, 656

CPC B62B 1/20; B62B 1/24; B62B 3/02
See application file for complete search history.

DESCRIPTION

FIG. 1 is a top perspective view of a hand truck showing my new design;

FIG. 2 is a front view thereof;

FIG. 3 is a rear view thereof;

FIG. 4 is a left side view thereof;

FIG. 5 is a right side view thereof; and,

FIG. 6 is a top plan view thereof.

The bottom view forms no part of the claimed design.

The broken lines shown in the figures are included for the purpose of illustrating portions of the hand truck and form no part of the claimed design.

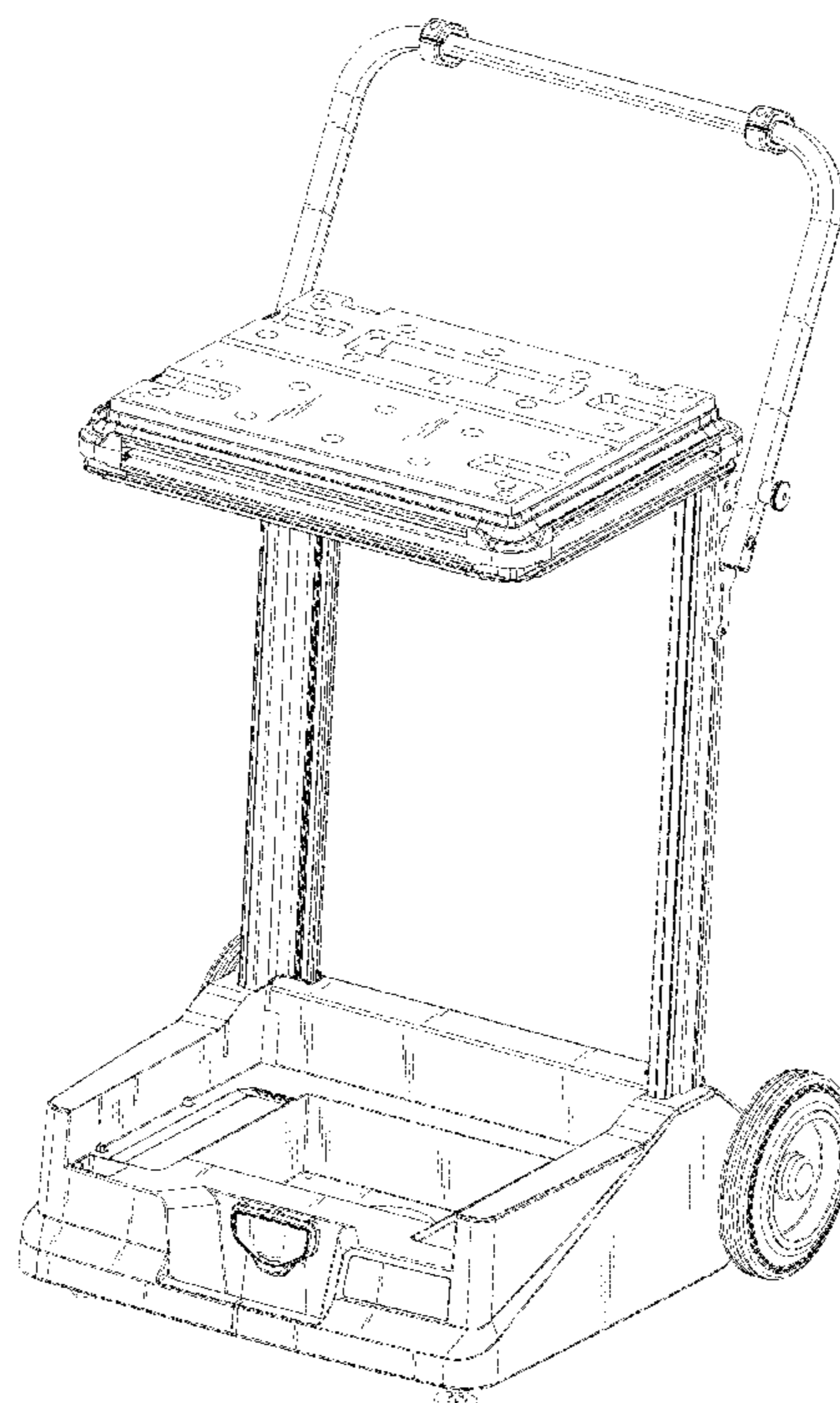
(56) **References Cited**

U.S. PATENT DOCUMENTS

4,869,518 A * 9/1989 Breveglierij B62B 3/10
280/47.35

D396,924 S * 8/1998 Cardenas D34/15

1 Claim, 6 Drawing Sheets



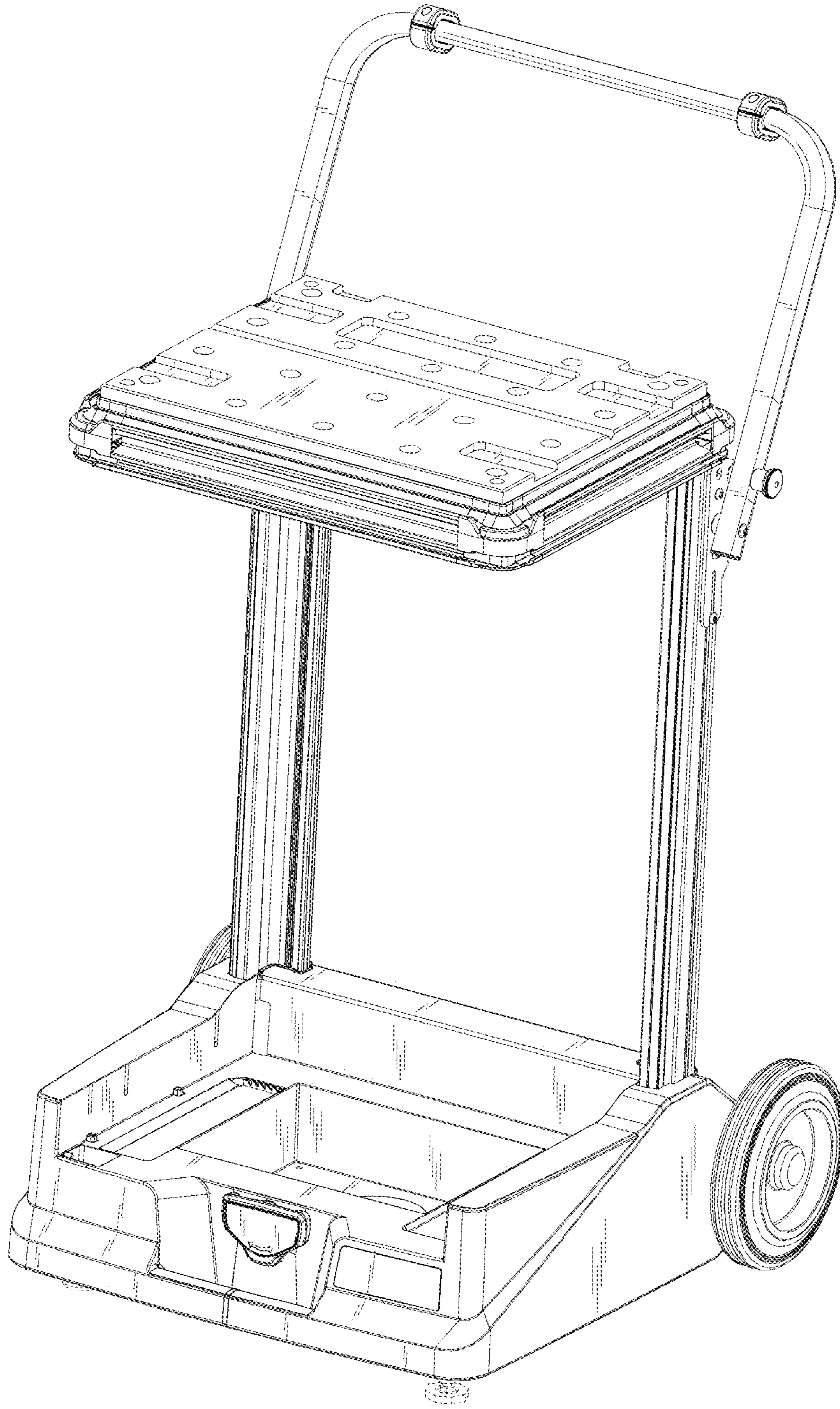


FIG. 1

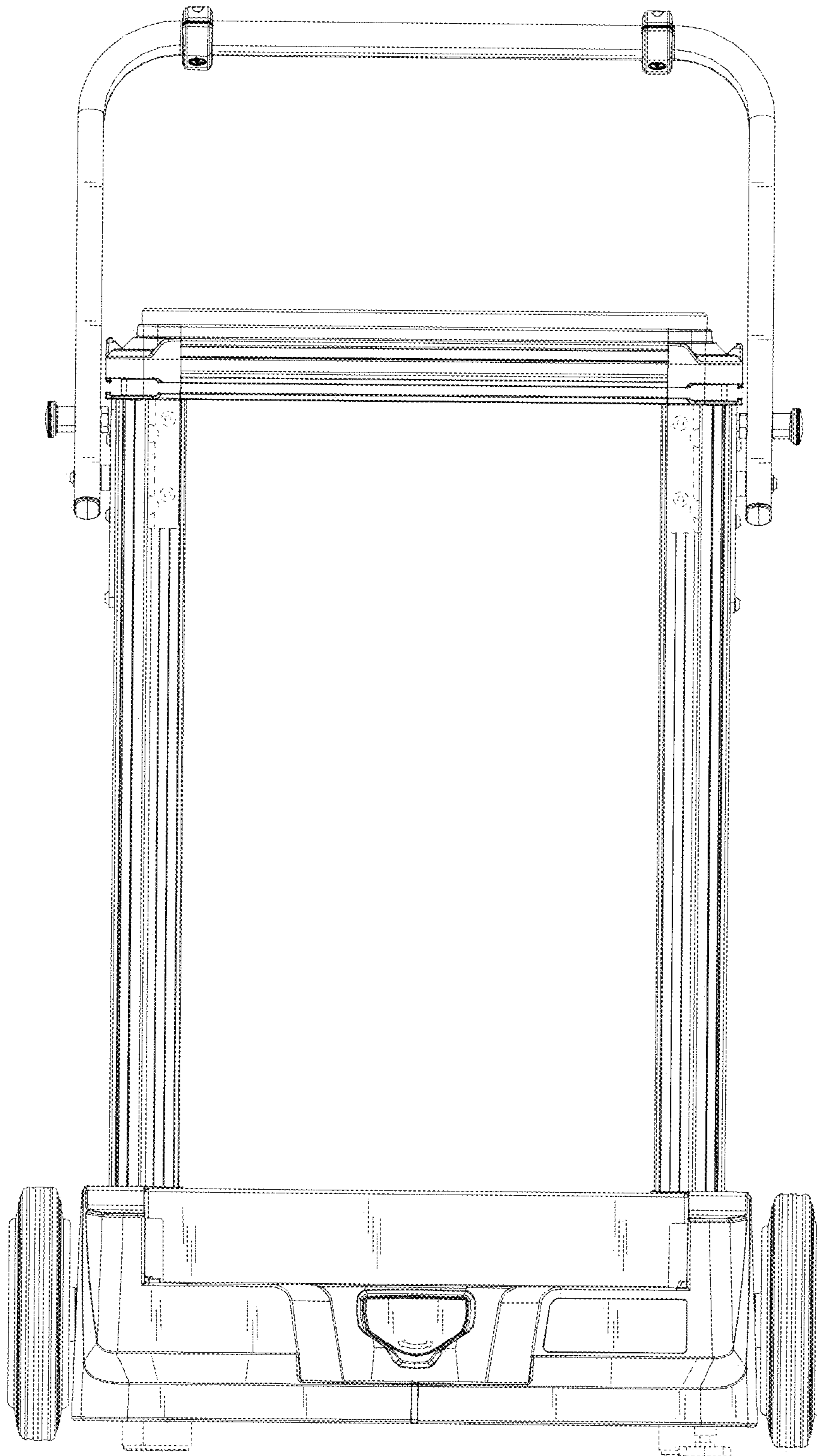


FIG. 2

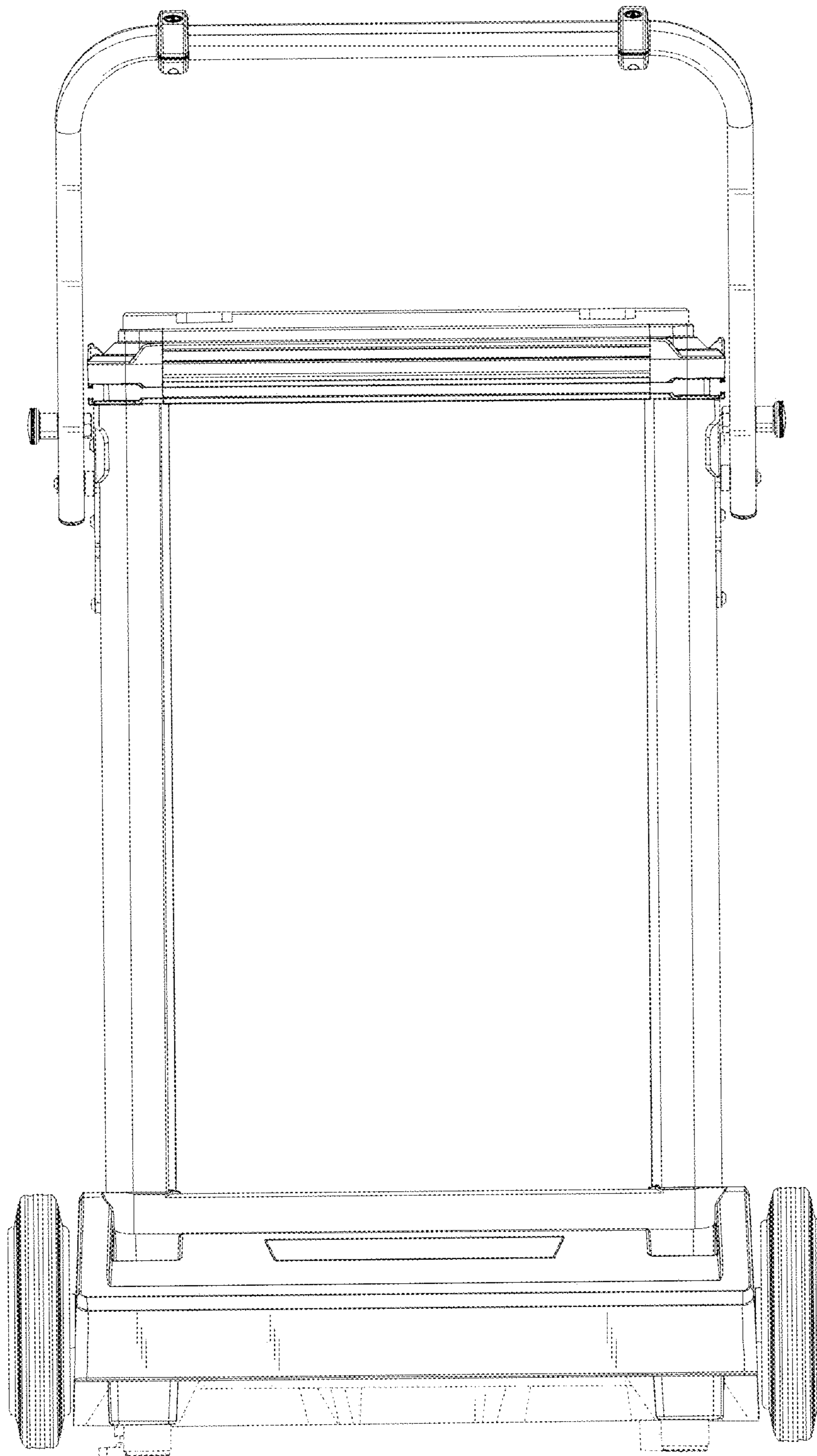


FIG. 3

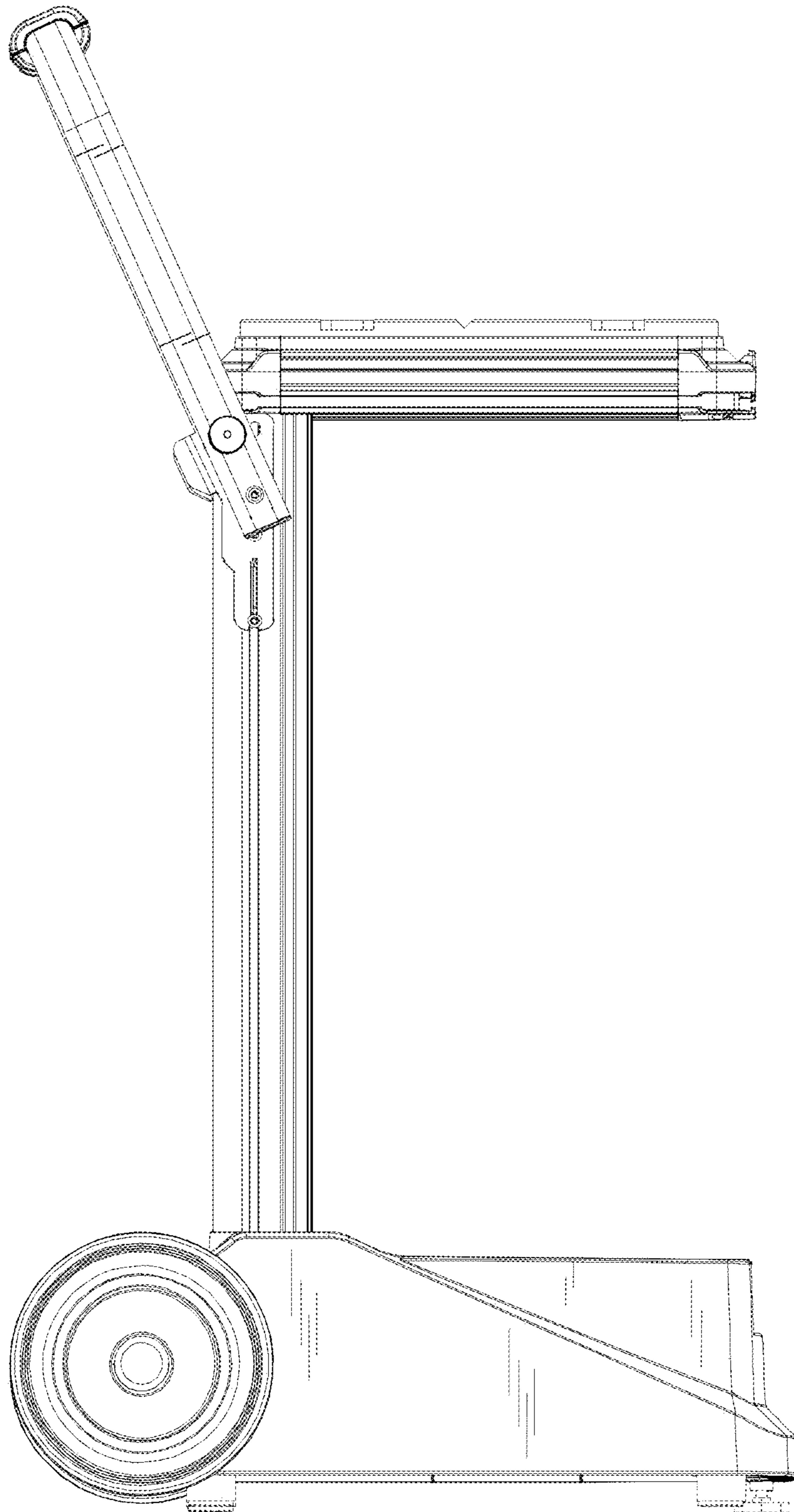


FIG. 4

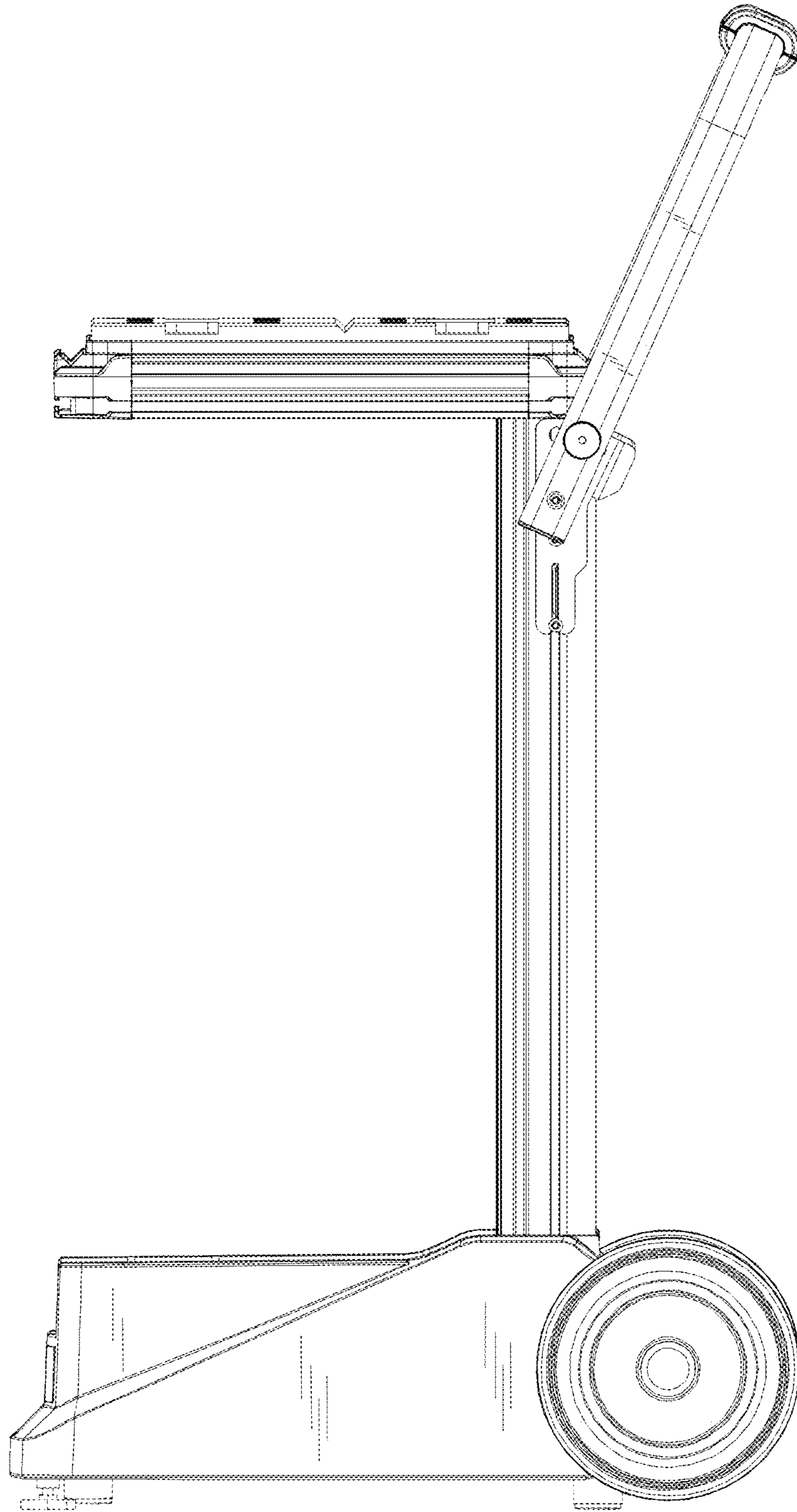


FIG. 5

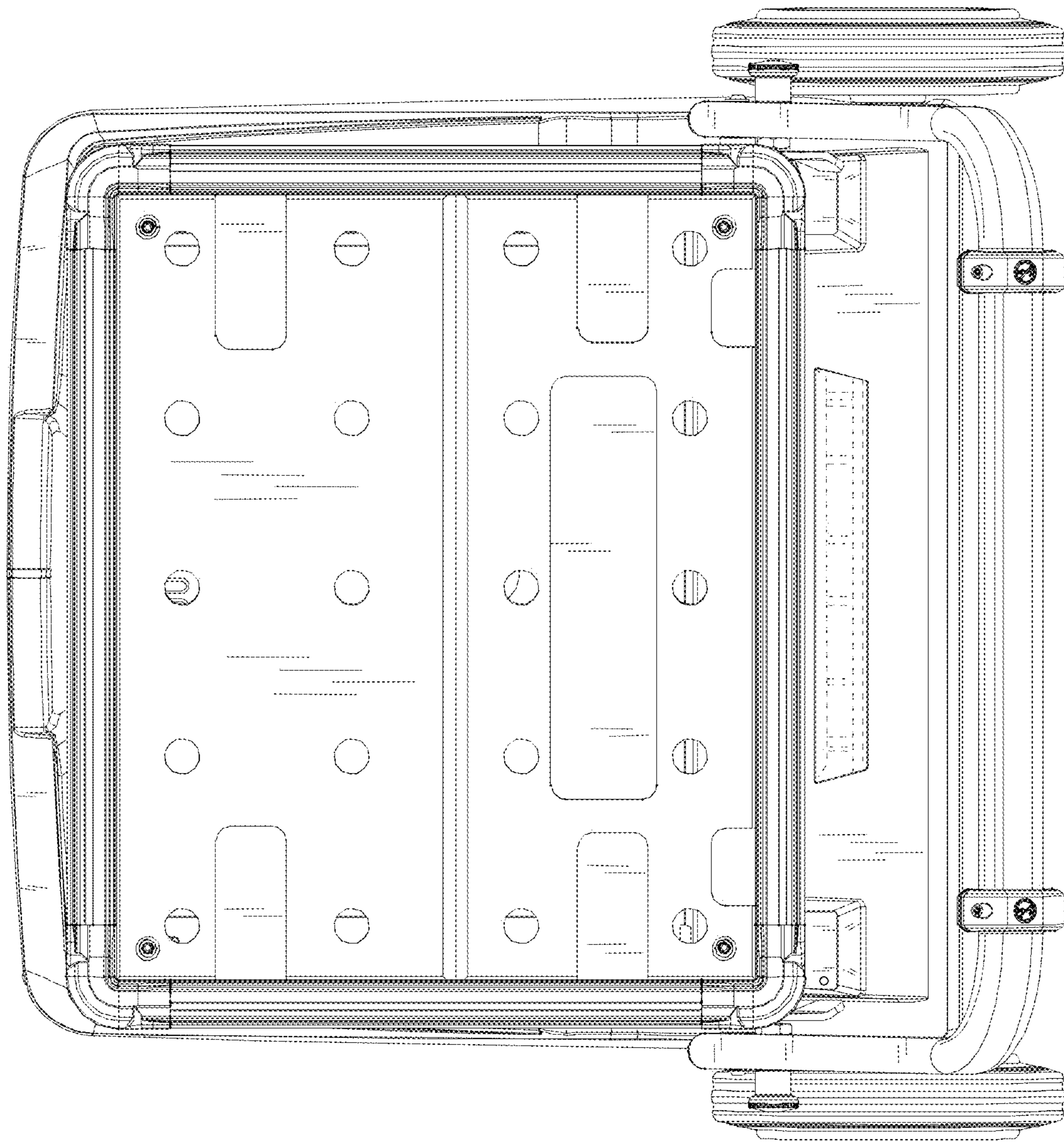


FIG. 6